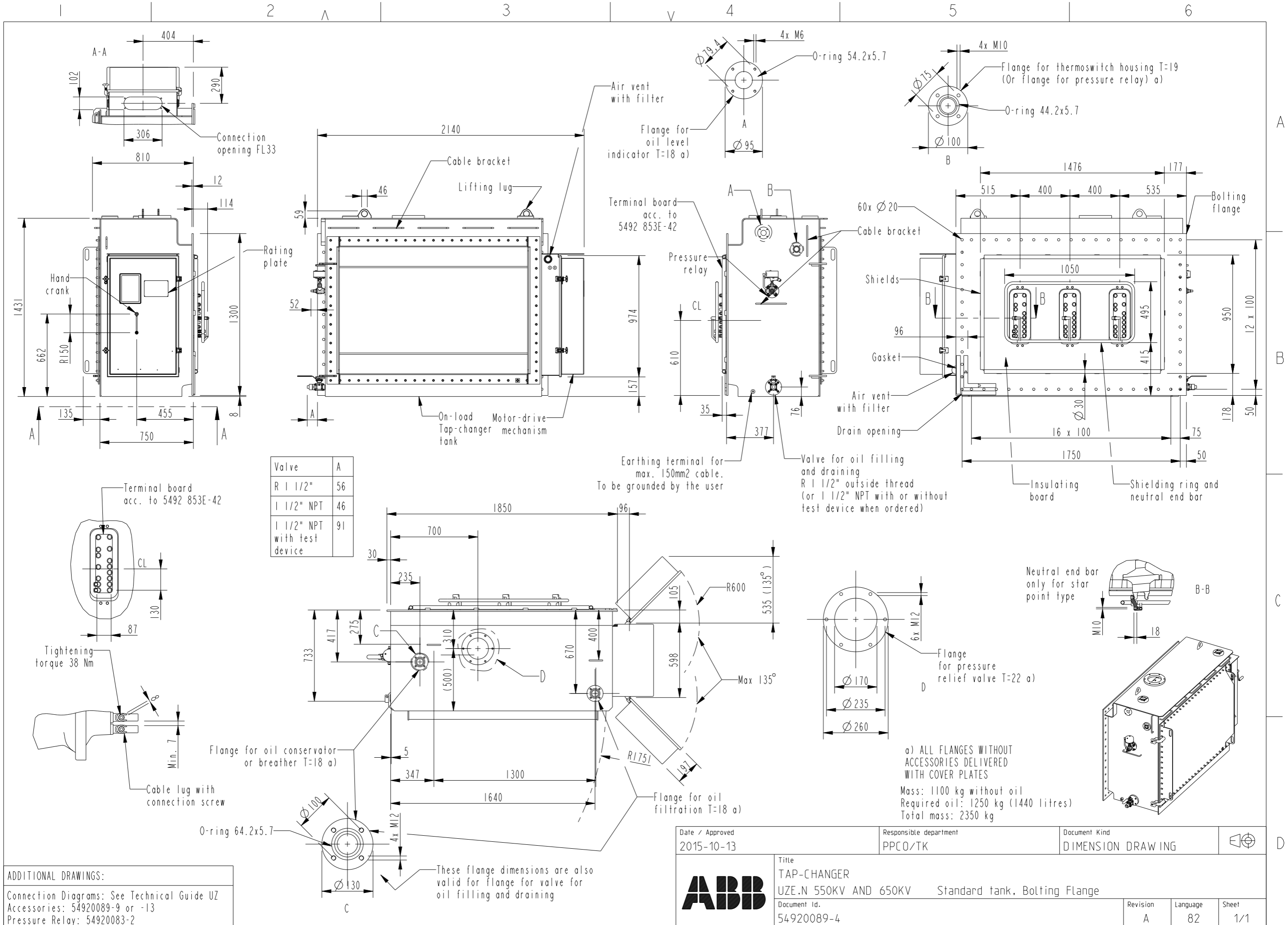


This document is issued by means of a computerized system. The digitally stored original is electronically approved. The approved document has a date entered in the "Approved"-field. A manual signature is not required.

The information contained in this document has to be kept strictly confidential. Any unauthorized use, reproduction, distribution or disclosure to third parties are strictly forbidden. ABB reserves all rights regarding Intellectual Property Rights. © Copyright 2013 ABB. All rights reserved.



Valve	A
R 1 1/2"	56
1 1/2" NPT	46
1 1/2" NPT with test device	91

ADDITIONAL DRAWINGS:
 Connection Diagrams: See Technical Guide UZ
 Accessories: 54920089-9 or -13
 Pressure Relay: 54920083-2

Date / Approved 2015-10-13	Responsible department PPCO/TK	Document Kind DIMENSION DRAWING	
ABB Title TAP-CHANGER UZE.N 550KV AND 650KV Standard tank, Bolting Flange		Revision A	Language 82
Document Id. 54920089-4		Sheet 1/1	

a) ALL FLANGES WITHOUT ACCESSORIES DELIVERED WITH COVER PLATES
 Mass: 1100 kg without oil
 Required oil: 1250 kg (1440 litres)
 Total mass: 2350 kg