

DATASHEET

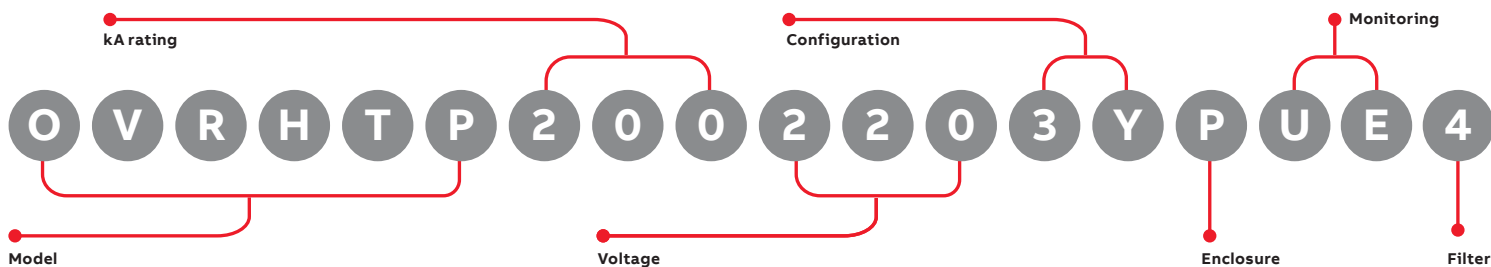
OVRHTP-200

Surge protective devices



Product features

- UL Listed 1449 4th edition for Type 1 and Type 2 SPD applications
- Thermally protected MOVs provide superior protection and continuous operation
- 200 kAIC short circuit current rating allows direct bus connection without the need for an upstream over-current protection device
- UL 1283 EMI/RF filter available as an option
- Compact and lightweight design
- 10-year standard warranty



Model number scheme

kA rating	Suffix
200 kA per phase, 100 kA per mode	200

Voltage and configuration (must choose one)	Suffix
120 V, 1-phase, 2-wire + ground	1201P
127 V, 1-phase, 2-wire + ground	1271P
220 V, 1-phase, 2-wire + ground	2201P
230 V, 1-phase, 2-wire + ground	2301P
240 V, 1-phase, 2-wire + ground	2401P
277 V, 1-phase, 2-wire + ground	2771P
240/120 V, 2-phase, 3-wire + ground	1202S
480/240 V, 2-phase, 3-wire + ground	2402S
240Δ/120 V, 3-phase high-leg, 4-wire + ground	1203H
208Y/120 V, 3-phase Wye, 4-wire + ground	1203Y
380Y/220 V, 3-phase Wye, 4-wire + ground	2203Y
400Y/230 V, 3-phase Wye, 4-wire + ground	2303Y
415Y/240 V, 3-phase Wye, 4-wire + ground	2403Y
480Y/277 V, 3-phase Wye, 4-wire + ground	2773Y
600Y/347 V, 3-phase Wye, 4-wire + ground	3473Y
208 V, 3-phase Delta, 3-wire + ground	2083D
240 V, 3-phase Delta, 3-wire + ground	2403D
415 V, 3-phase Delta, 3-wire + ground	4153D
480 V, 3-phase Delta, 3-wire + ground	4803D
600 V, 3-phase Delta, 3-wire + ground	6003D

Enclosure option	Suffix
Fiberglass-reinforced polyester, NEMA 4X	P
Powder-coated metal NEMA 4	4L
Stainless steel NEMA 4X	S

Monitoring option (must choose one)	Suffix
Status indicator LED lights (one per phase)	B
Status indicator LED lights (one per phase), dry relay contacts, audible alarm with silence button, fault light	U
Status indicator LED lights (one per phase), surge counter, dry relay contacts, audible alarm with silence button, fault light	UE

Filter option	Suffix
4 UF filter	4
UL 1283 filter making device a Type 2	T2
No filter	0

Stand-alone option (must be ordered as separate line item)	Item no.
Small Metal Flush Mount Plate	OVRHTPFMPSPM
Medium Metal Flush Mount Plate	OVRHTPFMPMED
Small Stainless Steel Flush Mount Plate	OVRHTPFMPMSMS
Medium Stainless Steel Flush Mount Plate	OVRHTPFMPMEDSS
Metal Disconnect	OVRHTPMETALDISC
Stainless Steel Disconnect	OVRHTPSSDISC

Product specifications

Electrical

Maximum surge current rating	200 kA per phase, 100 kA per mode
Nominal discharge current rating (L-N)	20 kA
Operating frequency	47–63 Hz
Connection method	Pre-wired with 36 inches of #6 AWG conductor (P, 4L or S enclosure suffix)
Modes of protection	All modes (L-N, L-G, N-G, L-L)
Fault rating (SCCR)	200 kAIC — no upstream over-current protection device (breaker or fuse) required
Application	ANSI/IEEE C62.41.1 locations A, B and C ideal for distribution panels, branch panels and critical loads

Mechanical

Installation location	Indoor or outdoor
Mounting method	Dual mounting flanges
Operating environment	-40 °F to 149 °F (-40 °C to +65 °C) 5%–95% non-condensing humidity
Altitude	0–12,000 ft (3.66 km)
Product design	Individual thermally fused MOV technology

EMI/RFI filter attenuation

Mil Standard 220B	Up to 40 dB from 10 kHz to 100 MHz
-------------------	------------------------------------

Regulatory

cULus 1449 4th Edition	VZCA: E316636 Type 1
UL 1283 with filter option	Yes
UL96A compliant	Yes
IEEE C62.41.2, C62.45	Yes
NFPA 70 (NEC), Article 285	Yes
RoHs compliant	Yes
Listed by	UL

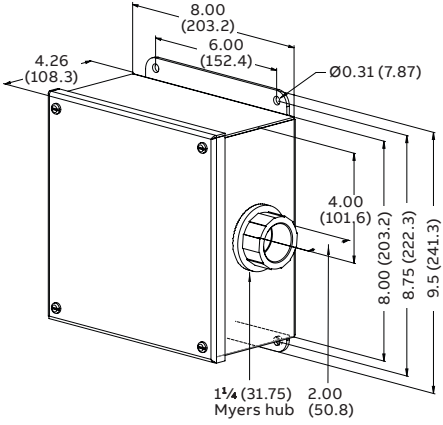
Warranty

10 years

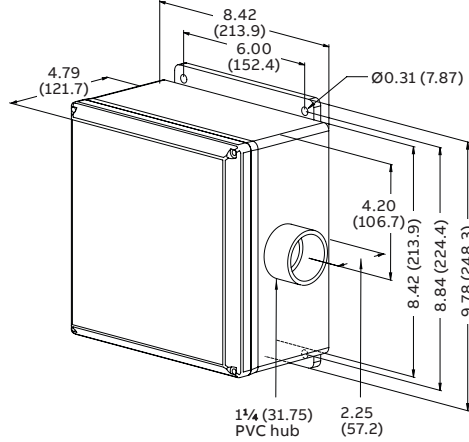
Performance data

Model no.	System voltage	Protective mode	MCOV	B3 ring wave, 6 kV, 500 A	B3/C1 combo wave, 6 kV, 3 kA	C3 combo wave, 20 kV, 10 kA	UL 1449 4th edition, 6 kV, 3 kA VPR
OVRHTP2001201PPXX	120V	L-N	150 V	341 V	554 V	765 V	600 V
OVRHTP2001271PPXX	127 V	L-G	150 V	386 V	587 V	863 V	600 V
		N-G	150 V	518 V	552 V	860 V	600 V
OVRHTP2002201PPXX	220V	L-N	320 V	391 V	949 V	1339 V	1000 V
OVRHTP2002301PPXX	230V	L-G	320 V	975 V	1021 V	1298 V	1200 V
OVRHTP2002401PPXX	240V	N-G	320 V	954 V	962 V	1339 V	1000 V
OVRHTP2002771PPXX	277V						
OVRHTP2001202SPXX	240/120 V	L-N	150 V	341 V	554 V	865 V	600 V
OVRHTP2001203YPXX	208Y/120 V	L-G	150 V	386 V	587 V	890 V	600 V
		N-G	150 V	518 V	552 V	878 V	600 V
		L-L	300 V	469 V	915 V	1349 V	1000 V
OVRHTP2002402SPXX	480/240 V	L-N	320 V	391 V	949 V	1339 V	1000 V
OVRHTP2002203YPXX	380Y/220 V	L-G	320 V	975 V	1021 V	1298 V	1200 V
OVRHTP2002303YPXX	400Y/230 V	N-G	320 V	954 V	962 V	1339 V	1000 V
OVRHTP2002403YPXX	415Y/240 V	L-L	640 V	437 V	1735 V	2101 V	1800 V
OVRHTP2002773YPXX	480Y/277 V						
OVRHTP2003473YPXX	600Y/347 V	L-N	420 V	281 V	1209 V	1607 V	1500 V
		L-G	420 V	1225 V	1280 V	1700 V	1500 V
		N-G	420 V	1105 V	1282 V	1617 V	1500 V
		L-L	690 V	542 V	2203 V	2606 V	2500 V
OVRHTP2002033HPXX	240Δ /120 V	L-N	150 V	341 V	554 V	765 V	600 V
		H-N	320 V	391 V	1064 V	1339 V	1200 V
		L-G	150 V	386 V	587 V	863 V	600 V
		H-G	320 V	975 V	1040 V	1298 V	1200 V
		N-G	150 V	518 V	552 V	860 V	600 V
		L-L	300 V	469 V	915 V	1349 V	1000 V
		H-L	470 V	732 V	1358 V	2104 V	1500 V
OVRHTP2002083DPXX	208V	L-G	320 V	548 V	1021 V	863 V	1200 V
OVRHTP2002403DPXX	240V	L-L	320 V	372 V	915 V	1112 V	1000 V
OVRHTP2004153DPXX	415V	L-G	552 V	975 V	1508 V	1298 V	1800 V
OVRHTP2004803DPXX	480V	L-L	640 V	437 V	1830 V	2101 V	2000 V
OVRHTP2006003DPXX	600V	L-G	690 V	1180 V	2203 V	1627 V	2500 V
		L-L	690 V	540 V	2203 V	2565 V	2500 V
OVRHTP2002301PIPXX	230V	L-N	320 V	391 V	949 V	1339 V	1000 V
OVRHTP2002301PJPPXX	230V	L-G	320 V	975 V	1021 V	1298 V	1200 V
OVRHTP2002301PKPXX	230V	N-G	320 V	954 V	962 V	1339 V	1000 V
OVRHTP2002301PLPXX	230V						

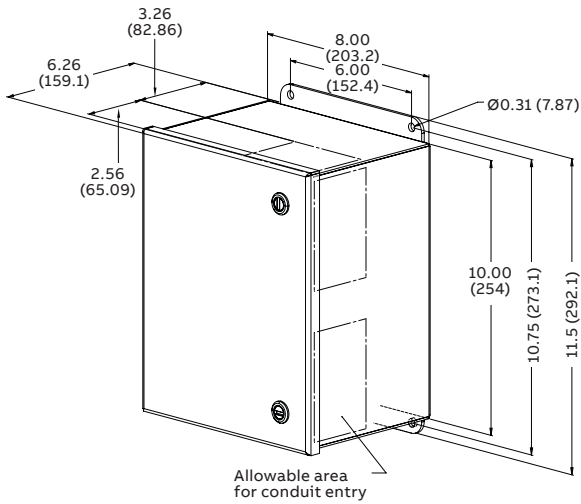
Dimensions



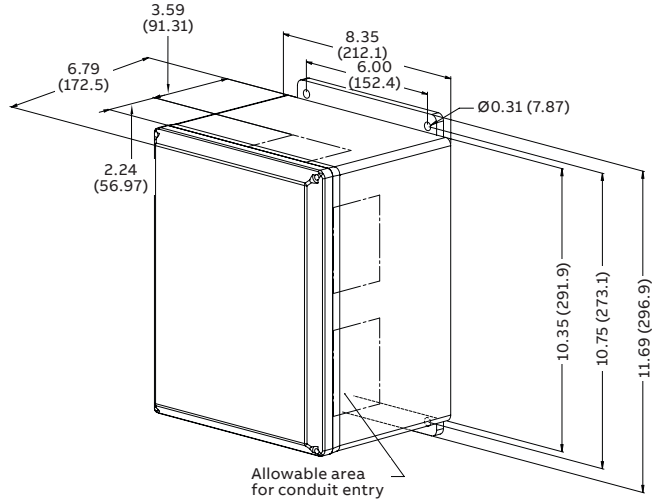
200 kA metal enclosure pre-wired
Enclosure option M



200 kA polycarbonate enclosure pre-wired
Enclosure option P



200 kA metal enclosure with lugs
Enclosure option ML



200 kA polycarbonate enclosure with lugs
Enclosure option PL

All measurements in inches (millimeters).

kA	Enclosure type	Pre-wired	Weight in lbs	Weight in kg
200	Metal	Yes	13	5.9
200	Polycarbonate	Yes	9	4.08
200	Metal	No	16	7.26
200	Polycarbonate	No	10	4.54

ABB Inc.
860 Ridge Lake Blvd.
Memphis, TN 38120
USA

We reserve the right to make technical changes or modify the contents of this document without prior notice. With regard to purchase orders, the agreed particulars shall prevail. ABB Inc. does not accept any responsibility whatsoever for potential errors or possible lack of information in this document

We reserve all rights in this document and in the subject matter and illustrations contained therein. Any reproduction, disclosure to third parties or utilization of its contents – in whole or in parts – is forbidden without prior written consent of ABB Inc. Copyright © 2021 ABB