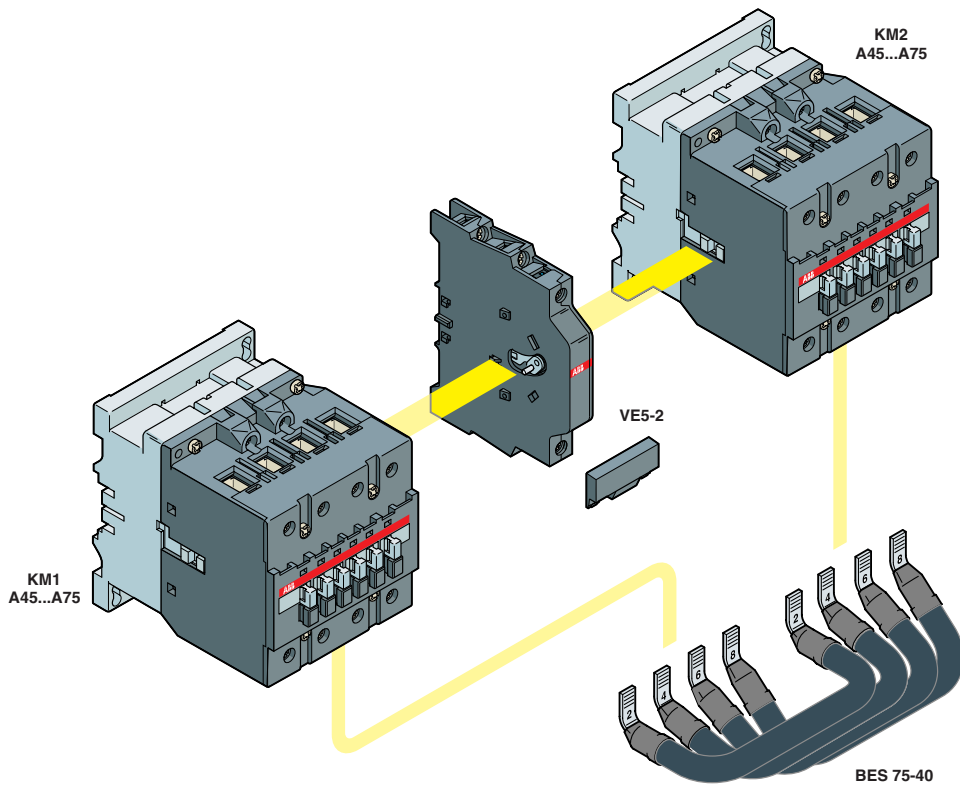


Mains Changeover Contactors Open Type Version

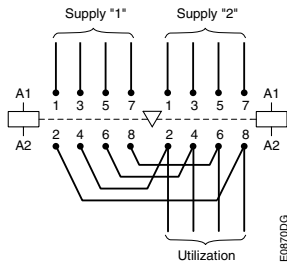


E1108D1

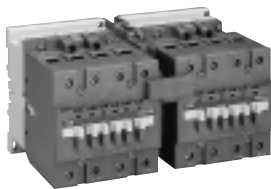
VOA...-40Z version

>> VOA...-40Z Mains changeover contactors	page 4/1
>> Mains changeover contactors in kit form	page 4/2

VOA ..-40Z Mains Changeover Contactors Open Type Version



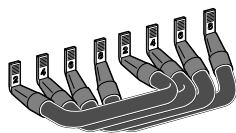
E8070DG



VOA 50-40Z

SB760S4

BES 75-40



E1103D

Application

4-pole mains changeover contactors for switching a two supply utilization circuit, supply "1" and supply "2" according to the block diagram opposite.
 – for a maximum operating voltage of 1000 V, 50 or 60 Hz,
 – for a switching frequency ≤ 600 cycles/h.

Description, factory-assembled mains changeover contactors

Each **VOA ..-40Z** mains changeover contactor is delivered open, without control and power cables and includes:
 – 2 side-by-side mounted **A 45**, **A 50** or **A 75** 4-pole contactors with the same rating,
 – 1 **VE 5-2** mechanical and electrical interlocking device between the two contactors.

The **VE 5-2** interlocking device mechanically prevents one of the contactors from closing as long as the other contactor is closed. The N.C. auxiliary contacts incorporated in this device will be wired in the contactor control circuit in order to electrically interlock the two contactors.

Protection IP10 for the main terminals, IP20 for the coil terminals and the interlocking device.

For fixing onto a mounting rail 35 x 15 mm according to EN 50022 or 75 x 25 mm according to EN 50023.

The insulated connection set, in 35 mm² rigid, stranded copper for connecting the downstream terminals is to be supplied separately (see table below).

Ordering details, factory-assembled changeover contactors

Rated operational current I _e AC-1			Short-circuit protection fuses	Type	Order code	Weight in kg
$\theta \leq 40^\circ\text{C}$	$\theta \leq 55^\circ\text{C}$	$\theta \leq 70^\circ\text{C}$				
A	A	A	gG (1)	State coil voltage: <input type="text"/>	to be completed with coil voltage code 8 <input type="text"/>	Pack ^{ing} 1 piece
70	60	50	80	VOA 45-40Z <input type="text"/>	1SBK 33 1900 R8 <input type="text"/>	3.020
100	85	70	100	VOA 50-40Z <input type="text"/>	1SBK 35 1900 R8 <input type="text"/>	3.020
125	105	85	160	VOA 75-40Z <input type="text"/>	1SBK 41 1900 R8 <input type="text"/>	3.020

(1) U_e ≤ 500 V a.c.

Coil voltage code

V 50Hz	V 60Hz (2)	Code 8 <input type="text"/>
24	24	1
42	42	2
48	48	3
110	110 - 120	4
110 - 115	115 - 127	9
220 - 230	230 - 240	0
230 - 240	240 - 260	8
380 - 400	400 - 415	5
400 - 415	415 - 440	6

(2) **Note:** in 60 Hz, the utilization of auxiliary contacts or of a pneumatic timer brings the voltage tolerance to 0.9 - 1.1 U_c (instead of 0.85 - 1.1 U_c).

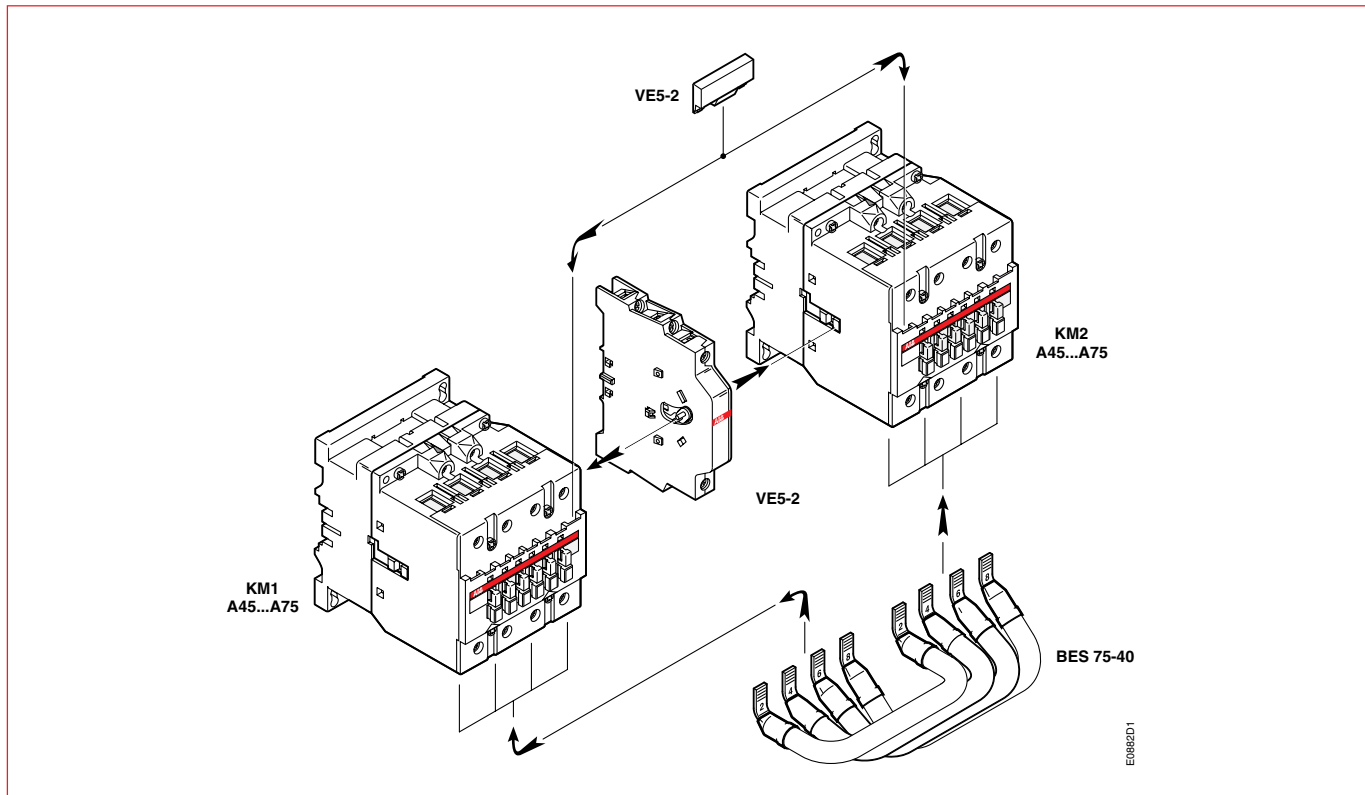
Ordering details, connection set

Utilization	Type	Order code	Weight in kg
Connecting the downstream terminals	BES 75-40	1SBN 08 3302 R1000	0.400

VOA ..-40Z Mains Changeover Contactors Open Type Version



Components for mains changeover contactors, in kit form



Ordering details, components for mains changeover contactors, in kit form

Rated operational current I _e AC-1 θ ≤ 40 °C θ ≤ 55 °C θ ≤ 70 °C			Contactors KM1 + KM2	Interlocking	Connection set
A	A	A	Type state coil voltage: □□□ Order code to be completed with coil voltage code 8□□ (see page 4/1)	Type Order code	Type Order code
70	60	50	2 x A 45-40-00 □□□ 1SBL 33 1201 R8□□00	1 x VE 5-2 1SBN 03 0210 R1000	1 x BES 75-40 1SBN 08 3302 R1000
100	85	70	2 x A 50-40-00 □□□ 1SBL 35 1201 R8□□00		
125	105	85	2 x A 75-40-00 □□□ 1SBL 41 1201 R8□□00		

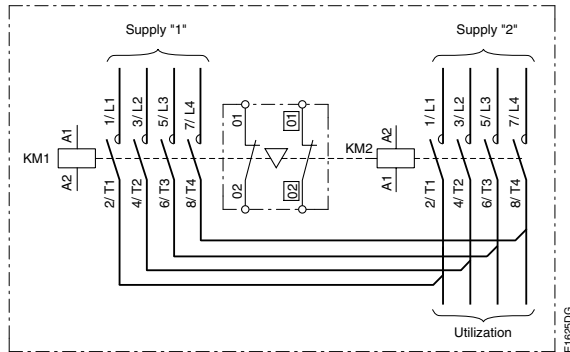
Ordering details, accessories for mains changeover contactors, factory-assembled or in kit form

Description	Type	Order code	Pack- ing	Weight in kg
Function markers (50 pieces)	BA5-50	1 SBN 11 0000 R1000	box	0.017
1 x "N.O." auxiliary contact block	CA5-10	1 SBN 01 0010 R1010	10	0.014
1 x "N.C." auxiliary contact block	CA5-01	1 SBN 01 0010 R1001	10	0.014
"N.O."+"N.C." side-mnted cont. blk	CAL5-11	1 SBN 01 0020 R1011	2	0.050
Control lead terminals (A 50 ... A 75)				
Right/left connection	LK 75-L	1 SBN 07 3552 R1003	2	0.006
Front connection	LK 75-F	1 SBN 07 3552 R1002	2	0.006

VOA ..-40Z Mains Changeover Contactors Open Type Version



Wiring diagram, for mains changeover contactors factory-assembled or in kit form



4

Dimensions (in mm), mains changeover contactors factory-assembled or in kit form

