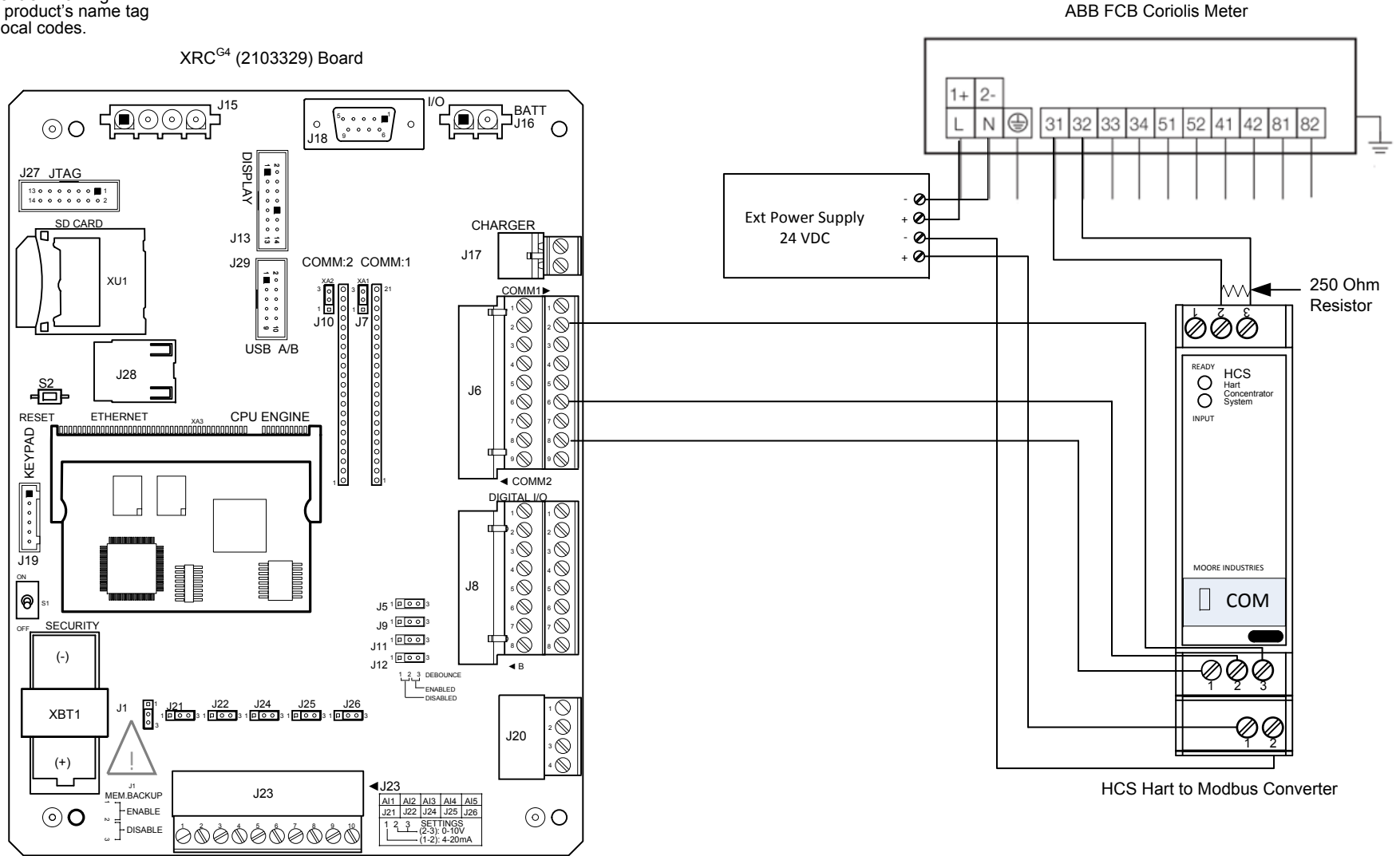


NOTES:

1. WARNING: This drawing does not illustrate the installation methods required for hazardous locations. Prior to any installation in a Classified Hazardous Location, verify installation methods by the Control Drawing referenced on the product's name tag and national and local codes.



REF: N/A



TOTALFLOW
Products

ACTION
L33597

DOC TYPE
UD

TITLE
XRC^{G4} BOARD (2103329) OR ABB FCB CORIOLIS METER
USING HART TO MODBUS CONVERTER

DWG NO.
2104922

REV
AA

SHEET
1 OF 1