

TECHNICAL DATA SHEET

PMA Accessories - BMN-P - Lock nut

Hexagonal, PG thread

**Features & Benefits:**

- High tightening torques
- Safe system connection
- Very good chemical properties

Materials:

- High-grade, specially formulated polyamide 6 with 30% glass fibre reinforced

Compatible with:

- PMAFIX Pro, PMAFIX, PMA Smart Line fittings

Conforms to:

- Thickness [H] according to DIN 46320
- PG threads according to DIN 40430

Colour:

- Black
- Grey

Chemical properties:

- Please refer to www.pma.ch
(Technical Information / Chemical Resistance)

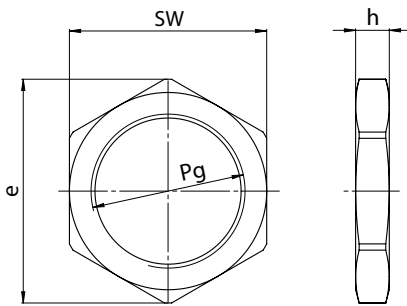
Environmental properties:

- Free from halogens and cadmium
- RoHS and REACH compliant

Product selection:

Part no.		Thread size	Dimensions in mm (nom.)			Packing unit
black	grey	PG	h min.	e +/- 1.0	SW	pcs/PU
BMN-07	GMN-07	7	5.0	21.0	19.0	100
BMN-09	GMN-09	9	5.0	24.0	22.0	100
BMN-11	GMN-11	11	5.0	26.0	24.0	100
BMN-13	GMN-13	13.5	6.0	29.0	27.0	100
BMN-16	GMN-16	16	6.0	33.0	30.0	100
BMN-21	GMN-21	21	7.0	39.0	36.0	50
BMN-29	GMN-29	29	7.0	50.0	46.0	25
BMN-36	GMN-36	36	8.0	66.0	60.0	10
BMN-48	GMN-48	48	8.0	78.0	70.0	10

Our customer service dept. or local distribution partner will be pleased to help you concerning product availability and lead time



Mechanical Properties:	Value:	Test parameters:	Test method:
Tensile modulus	9000 N/mm ²		ISO 527
Tensile strength	170 N/mm ²		ISO 527
Notched bar impact test	44 kJ/m ²		ISO 179/1eA

Thermal properties:	Value:	Test parameters:	Test method:
Continuous application temperature	-50 ... +105°C		PMA DO 9.21-4510
Upper application temperature	+120°C	(20'000 h)	PMA DO 9.21-4360
Short-term	+160°C	(168 h)	PMA DO 9.21-4360

ABB Switzerland Ltd,
PMA Cable Protection
Aathalstrasse 90
8610 Uster, Switzerland
Phone: +41 58 585 00 11
pma-info@ch.abb.com
www.pma.ch

Let's write the future.
Together. **abb.com**

We reserve the right to make technical changes or modify the contents of this document without prior notice. With regard to purchase orders, the agreed particulars shall prevail. ABB Installation Products Inc. does not accept any responsibility whatsoever for potential errors or possible lack of information in this document.

We reserve all rights in this document and in the subject matter and illustrations contained therein. Any reproduction, disclosure to third parties or utilization of its contents – in whole or in parts – is forbidden without prior written consent of ABB Inc. Copyright© 2019 ABB Installation Products Inc. All rights reserved

