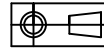


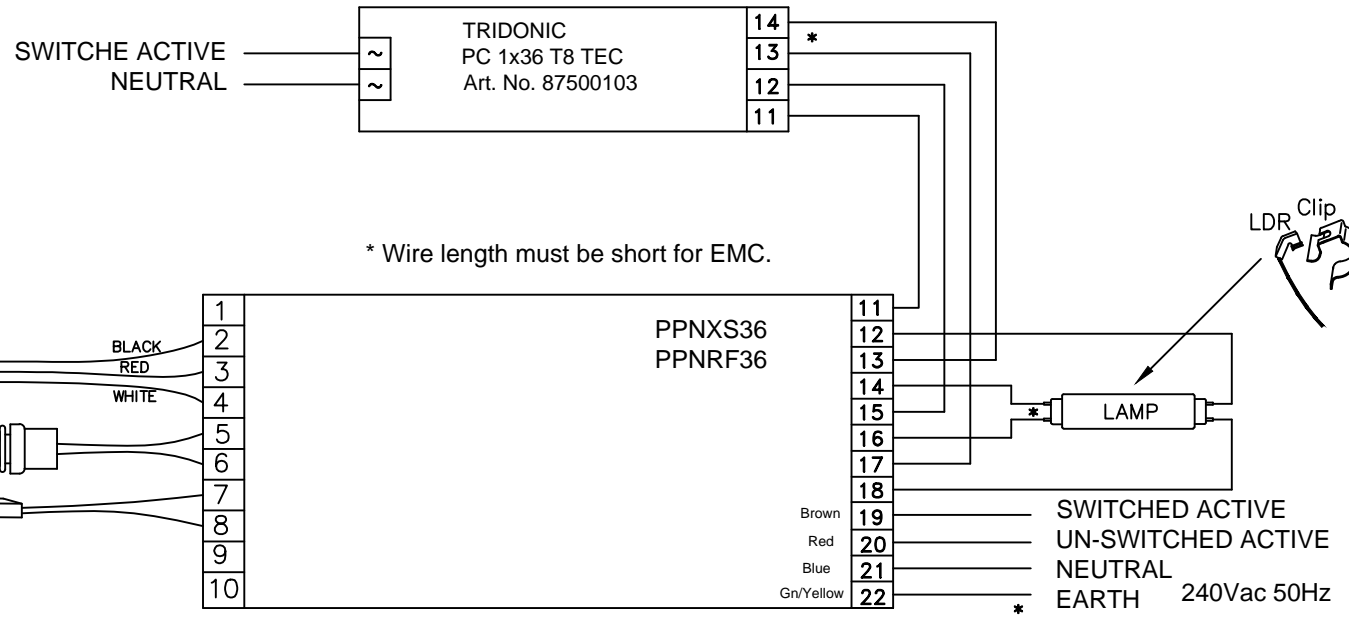
DRAWING NUMBER
NPWD134A

DO NOT SCALE



ISS	DATE	CHANGE	APPROVAL	ZONE
A	15/04/2015	ORIGINAL ISSUE		

* Wire length short as marked on the ballast.



* Wire length must be short for EMC.

Data Antenna & Battery Pack Connections Not Shown

Keep earth wire short.
If possible use ring terminal
and earth at control pack
mounting screw.

NOTES:

1. Wiring status: Draft - Not tested. The ballast / power pack combination has not been wired up and tested to confirm functional compatibility.
2. This wiring diagram is provided in good faith and the best of our knowledge at the time of publication. Thomas and Betts does not give any warranty or representation as to the accuracy, reliability or completeness of the information. Thomas and Betts shall not be liable for any loss or damage arising in any way from or in connection with any information provided or omitted, or from anyone acting or refraining to act in reliance on this information.
3. Changes to ballast specification by the manufacturer are beyond our control and may cause adverse effect on the performance, EMC issue and compatibility issue. Consult Thomas and Betts for further advise.

DRAWN	G.K.Grover	Thomas & Betts <small>A Member of the ABB Group</small> <small>ABN 62074810898 23A NYRANG ST, LIDCOMBE NSW 2141 AUSTRALIA</small>		
CHECKED	-----	TITLE Wiring diagram using PPNXS36/PPNRF36 with TRIDONIC PC 1/36 T8 TEC Art No. 87500103 Electronic Ballast		
APPROVED	G.K.Grover	USED ON	DRAWING NUMBER	SHEET SIZE
DATE:	15/04/15		NPWD134A	A3
DRAWING STD AS 1100		SCALE N.T.S.	SHEET 1 OF 1	