

# Surgitron® I

1261-45  
1261-85

**HEAVY DUTY SERVICE ENTRANCE APPLICATIONS  
MODULAR DESIGN**



## FEATURES AND BENEFITS

- Listed by ETL to UL 1449 3rd Edition for a Type 1 SPD application.
- Matrix of individually fused Metal Oxide Varistors (MOVs) housed in replaceable modules.
- Suitable for use on types TN-C, TNS, TN-C-S, and TT neutral grounding schemes.
- Cover lights indicate status of modules.

## AVAILABLE CONFIGURATIONS

Model Number	kA Per Phase	Voltage	Configuration
1261-45	120kA	230V	1-Phase, 2-Wire + Ground
1261-85	120kA	230V	1-Phase, 2-Wire + Ground

### Warranty

5-years

### Available Options

Surge Counter                      Add suffix -S  
Dry Relay Contacts come standard with 1261-85 model only

### Stand Alone Option

Remote Monitor                      1260-97

## PRODUCT SPECIFICATIONS

### Electrical

Nominal Discharge Current Rating (I-n)	20kA
Operating Frequency	50-60Hz
Connection Methods	Parallel to load (shunt) Lugs #14-#2 Directly connect or through 60A (min) breaker
Modes of Protection	L-N, L-G, N-G
Fault Rating (SCCR)	100kAIC
Response Time	Less than 1 nanosecond (one per phase)
Standard Monitoring	LED status indicator lights (one per phase)

### Mechanical

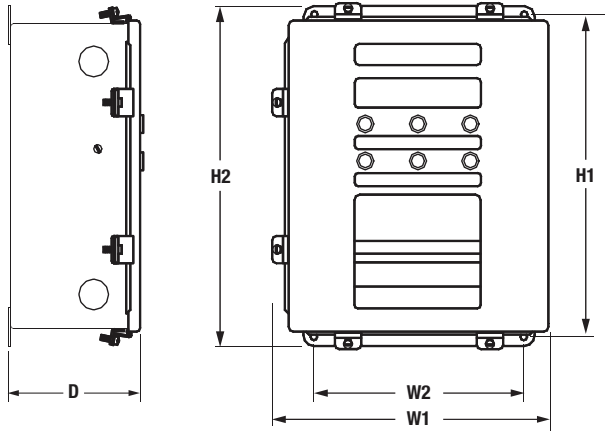
Weight	15.4 lbs (7 kg)
Enclosure Type	NEMA 12
Installation Location	Indoor/Outdoor
Mounting Method	Dual mounting flanges
Operating Environment	-40° to +185°F (-40° to +85°C)
Altitude	Up to 16,400 ft. (5000 m)
Product Design	Individually fused MOVs Overcurrent fusing

### Regulatory

UL 1449 3rd Edition Type	Type 1
UL 1283	No
IEEE C62.41.1, .2, C62.45	Yes
Listed By	ETL

## SURGITRON I PERFORMANCE DATA

Model Number	kA Per Phase	Voltage Configuration	Protection Modes	MCOV	UL 1449 3rd Edition 6kV 3000A VPR
1261-45	120kA	230V	L-N	320	1000V
			L-G	320	1000V
			N-G	320	1000V
1261-85	120kA	230V	L-N	320	1000V
			L-G	320	1000V
			N-G	320	1000V



## DIMENSIONAL SPECIFICATIONS

Dim	Inches (mm)
H1	10.75 (273.05)
H2	11.5 (292.1)
W1	8.9 (226.06)
W2	6.0 (152.4)
D	4.2 (106.68)