

18

17

16

15

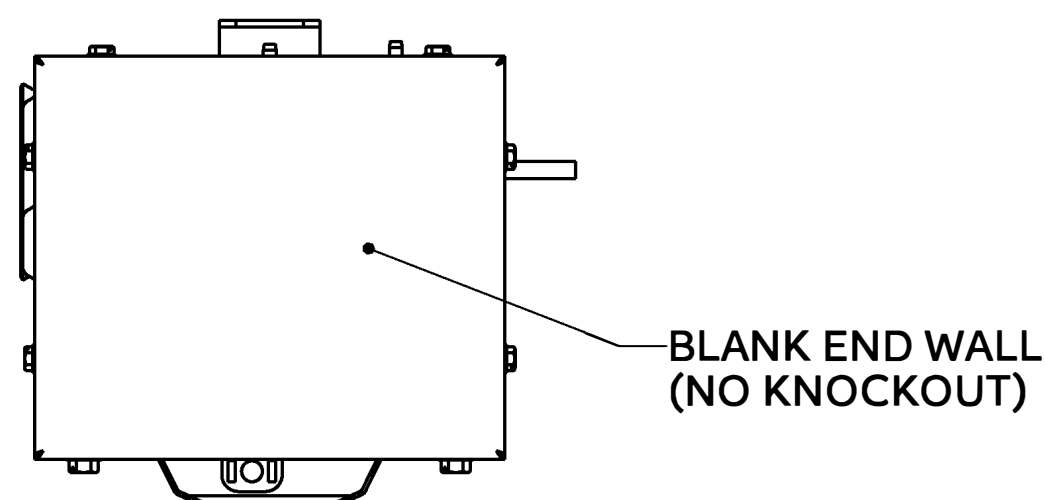
14

13

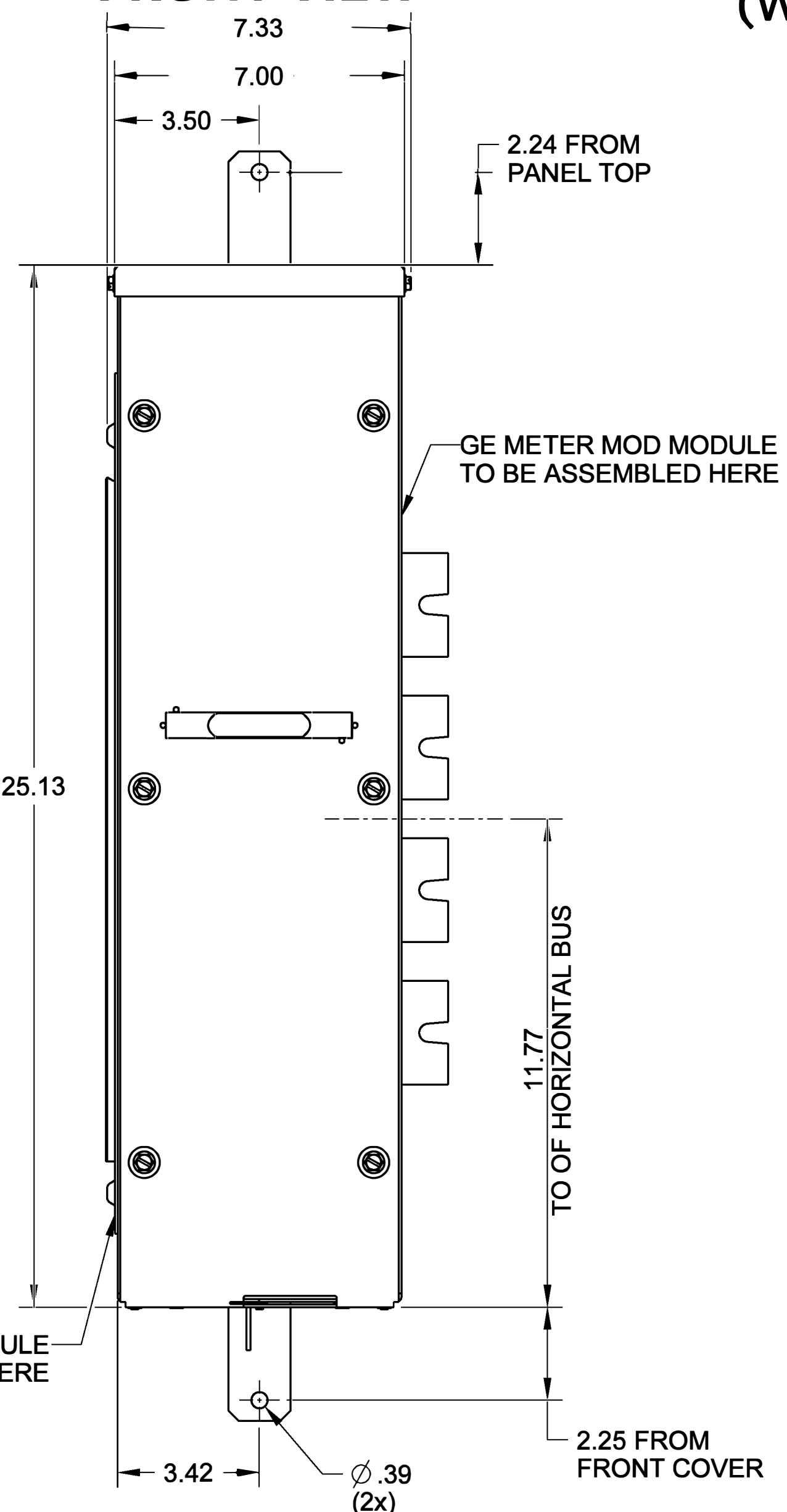
12

11

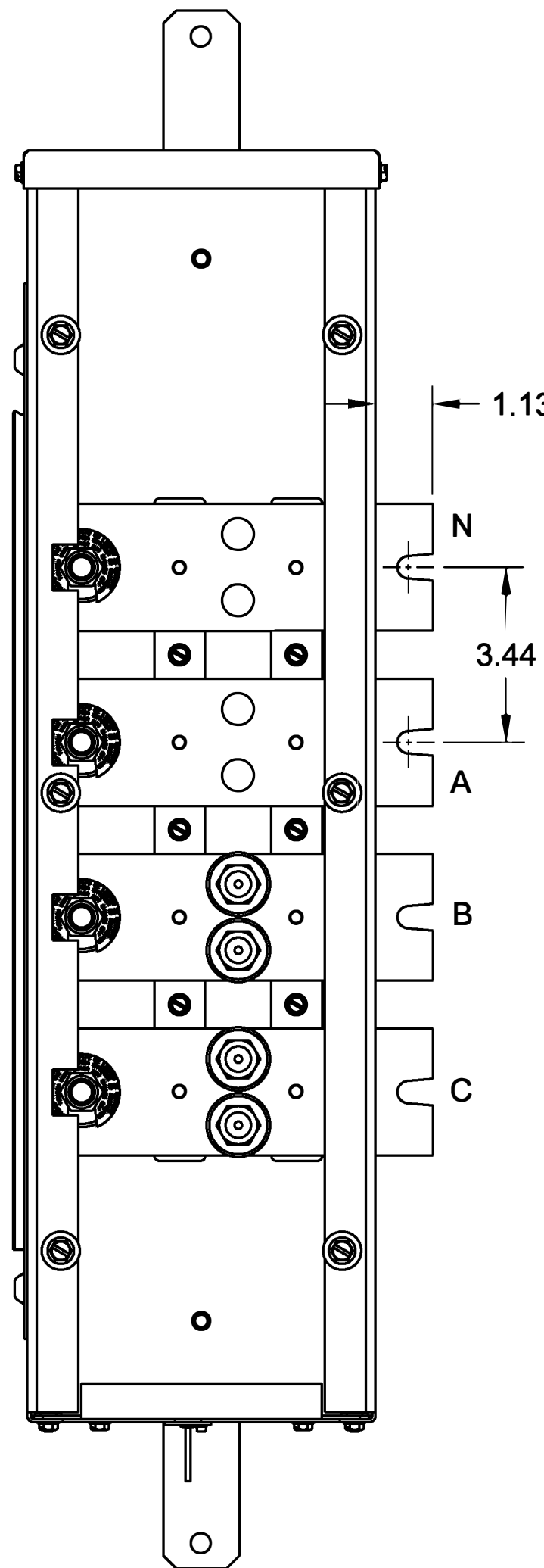
### TOP VIEW



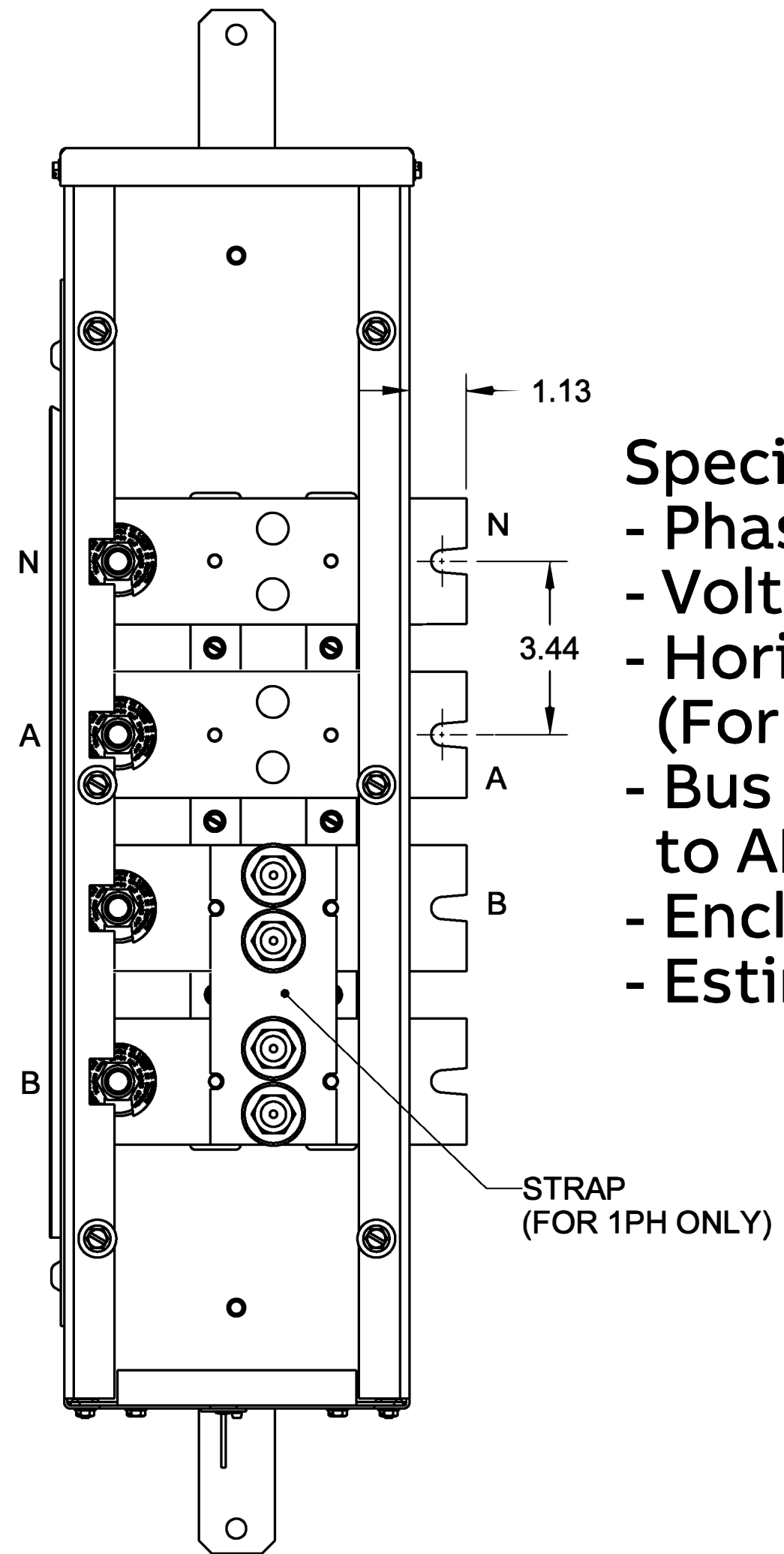
### FRONT VIEW



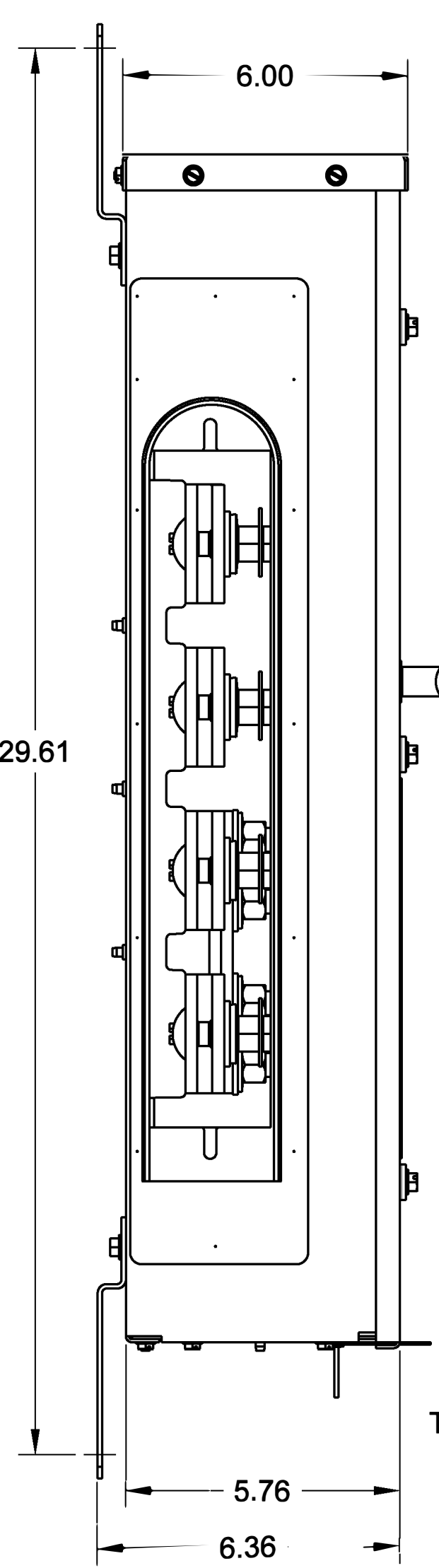
### FRONT VIEW (WITH OUT FRONT COVER) 3 PH



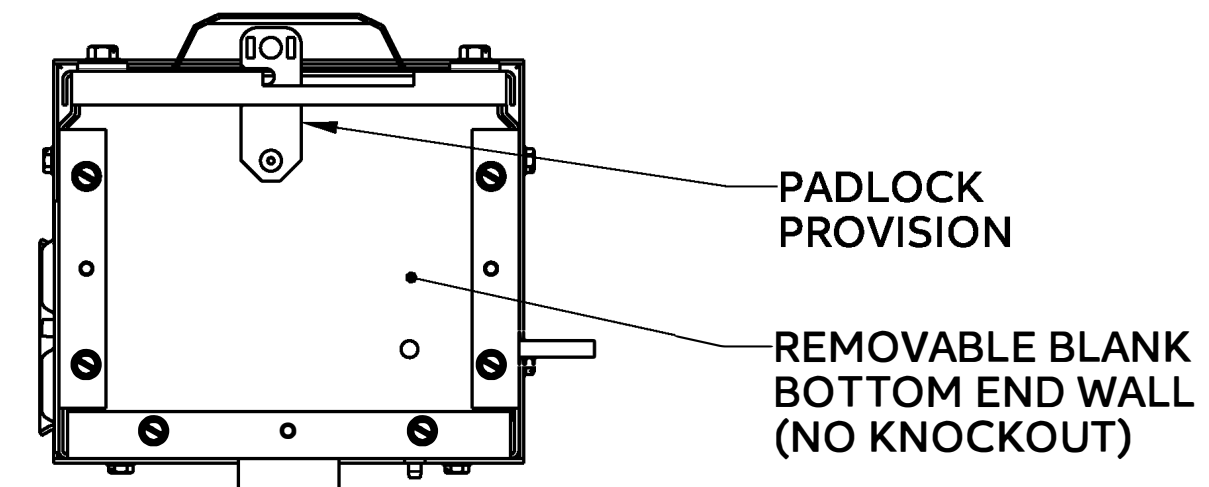
### FRONT VIEW (WITH OUT FRONT COVER) 1 PH



### SIDE VIEW



### BOTTOM VIEW



#### Specification:

- Phase: 1-Phase or 3-Phase
- Voltage: 120/240V or 208Y/120V
- Horizontal Bus Amperage: 1200A  
(For use on both 800A and 1200A cross bus modules)
- Bus Adapter is to connect existing GE Meter Mod to ABB ReliaMod.
- Enclosure: N3R Outdoor
- Estimated Weight: 45 lbs



Adapter-LH  
1PH 120/240V OR 3PH 208Y/120V N3R

THIRD ANGLE	SHEET#	CATALOG NO.	DATE	REV
	1 of 1	RADAPTOR312LEFT	01-Oct-24	E (Windchill) A (Library)

DIMENSIONS: INCH

18

17

16

15

14

13

12

11