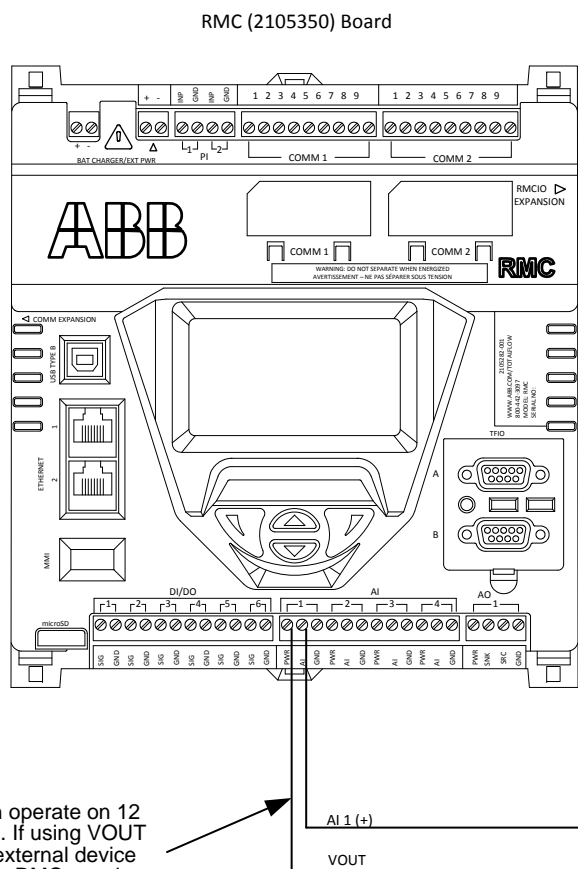


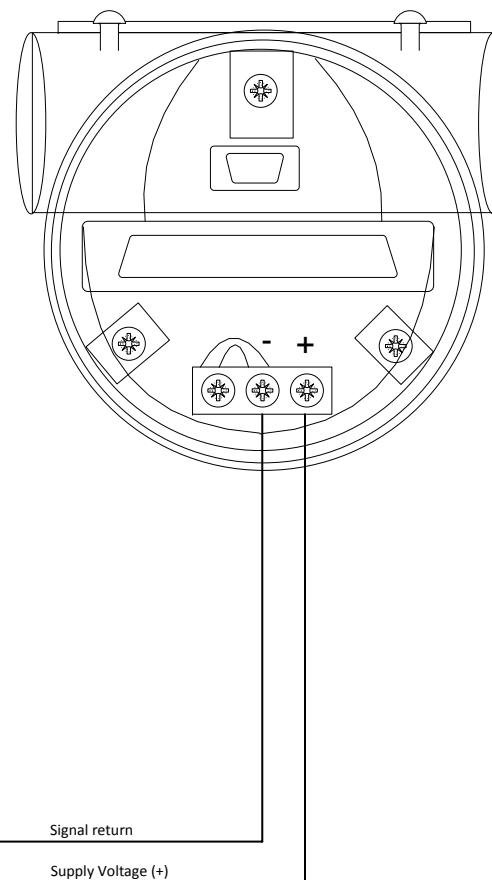
NOTES:

1. **WARNING:** This drawing does not illustrate the installation methods required for hazardous locations. Prior to any installation in a Classified Hazardous Location, verify installation methods by the Control Drawing referenced on the product's name tag and national and local codes.
2. Onboard AI's are software selectable for a voltage or amperage signal.
3. It is recommended to use 24V supply voltage with the 2600 model line transmitters.



The RMC can operate on 12 or 24 volts DC. If using VOUT to power an external device verify that the RMC supply voltage is compatible with the external device.

ABB Model 2600T Transmitter



<b>ABB</b>	TOTALFLOW Products	ACTION	DOC TYPE	TITLE	DWG NO.	REV	SHEET
		L36370	UD	RMC (2105350 BD) AI TO ABB 266 Pressure Transmitter	2105593	AA	1 OF 1