

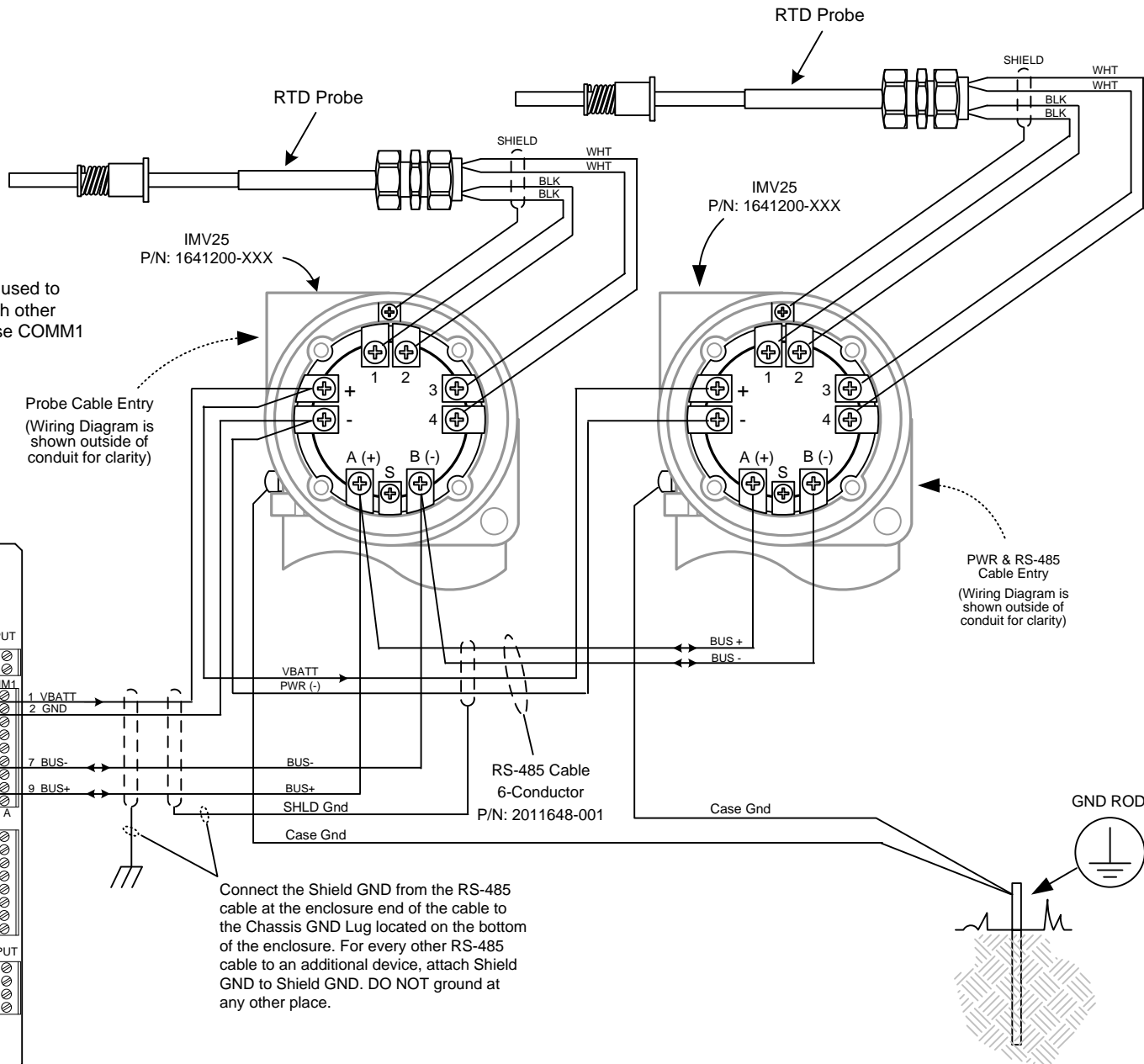
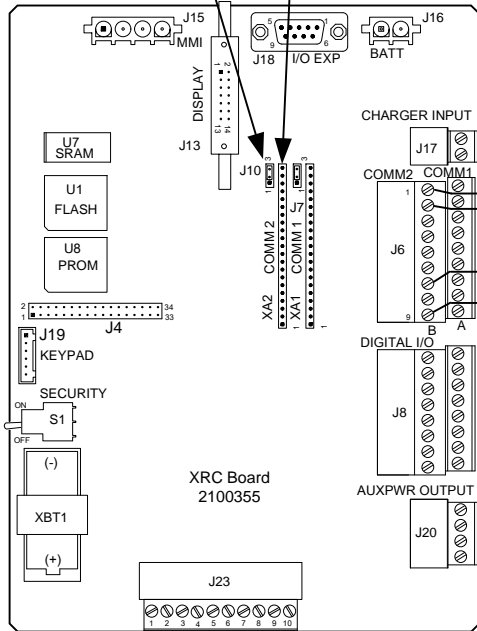
NOTES:

- WARNING:** This drawing does not illustrate the installation methods required for hazardous locations. Prior to any installation in a Classified Hazardous Location, verify installation methods by the Control Drawing referenced on the product's name tag and national and local codes.

RS-485 Communications Module
Totalflow P/N 2015193-002/003
In this configuration, COMM2 may not be used to communicate with other devices. To attach other devices, such as other flow computers, use COMM1

To terminate the Bus on the XRC Board, jumper J10 Pin-1 to Pin-2

J10



REF:N/A

	TOTALFLOW Products	ACTION	DOC TYPE	TITLE	DWG NO.	REV	SHEET
		D24201	UD	XRC (2100355 BD) COMM2 TO IMV25 MULTIVARIABLE (1641200) W/RTD PROBE	2104275	AB	1 OF 1