

Options for ABB drives, converters and inverters

User's manual

FCNA-01 ControlNet adapter module



Power and productivity
for a better world™



List of related manuals

| | Code (EN/Multilingual) |
|--|-----------------------------------|
| Drive manuals and guides | |
| <i>ACS355 drives (0.37...22 kW, 0.5...30 hp) user's manual</i> | 3AUA0000066143 |
| <i>ACSM1 manuals</i> | 00578051 |
| <i>ACS850-04 (0.37...45 kW) manuals</i> | 00592009 |
| <i>ACS880-01 manuals</i> | 9AKK105408A7004 |
| <i>ACS880-04 manuals</i> | 9AKK105713A4819 |
| <i>ACS880-07 manuals</i> | 9AKK105408A8149 |
| Option manuals and guides | |
| <i>FCNA-01 ControlNet adapter module user's manual</i> | 3AUA0000141650 |

You can find manuals and other product documents in PDF format on the Internet. See section [Document library on the Internet](#) on the inside of the back cover. For manuals not available in the Document library, contact your local ABB representative.

User's manual

FCNA-01 ControlNet adapter module

Table of contents



Safety



Mechanical installation



Electrical installation



Start-up



Table of contents

1. Safety

| | |
|------------------------------------|----|
| Contents of this chapter | 11 |
| Use of warnings | 12 |
| Safety in installation | 13 |

2. Introduction to the manual

| | |
|------------------------------------|----|
| Contents of this chapter | 15 |
| Applicability | 15 |
| Compatibility | 15 |
| Target audience | 16 |
| Purpose of the manual | 16 |
| Contents | 16 |
| Terms and abbreviations | 17 |
| Terms | 17 |
| Abbreviations | 19 |



3. Overview of the ControlNet network and the FCNA-01 adapter module

| | |
|--|----|
| Contents of this chapter | 21 |
| ControlNet network | 21 |
| Example topology | 22 |
| FCNA-01 adapter module | 23 |
| Layout of the adapter module | 24 |

4. Mechanical installation

| | |
|--|----|
| Contents of this chapter | 25 |
| Necessary tools and instructions | 25 |
| Unpacking and examining the delivery | 25 |
| Installing the adapter module | 26 |

5. Electrical installation

| | |
|------------------------------------|----|
| Contents of this chapter | 29 |
| Warnings | 29 |

| | |
|--|----|
| Necessary tools and instructions | 29 |
| General cabling instructions | 30 |
| Connecting the adapter module to the ControlNet network | 30 |
| Connection procedure | 30 |

6. Start-up

| | |
|--|----|
| Contents of this chapter | 31 |
| Warnings | 31 |
| Drive configuration | 32 |
| ControlNet connection configuration | 32 |
| FCNA-01 configuration parameters – group A (group 1) | 33 |
| FCNA-01 configuration parameters – group B (group 2) | 43 |
| FCNA-01 configuration parameters – group C (group 3) | 44 |
| Control locations | 45 |
| Starting up ACS355 drives | 46 |
| Parameter setting examples – ACS355 | 47 |
| Speed control using the ODVA AC/DC drive profile, Extended speed control assembly | 47 |
| Starting up ACSM1 drives | 50 |
| Parameter setting examples – ACSM1 | 51 |
| Speed control using the ODVA AC/DC drive profile, Extended speed control assembly | 51 |
| Starting up ACS850 drives | 54 |
| Parameter setting examples – ACS850 | 55 |
| Speed control using the ODVA AC/DC drive profile, Extended speed control assembly | 55 |
| Starting up ACS880 drives | 58 |
| Parameter setting examples – ACS880 | 59 |
| Speed control using the ODVA AC/DC drive profile, Extended speed control assembly | 59 |
| Configuring the client | 62 |
| Before you start | 62 |
| Select protocol/profile | 62 |
| Select output and input assembly instances | 62 |
| Select connection method | 64 |
| EDS files | 65 |



| | |
|--|----|
| Standard ABB drive on ControlNet™ (FCNA-01) with RSLogix™ 5000 and RSNetWorx™ | 66 |
| Configuring the FCNA-01 | 66 |

7. Communication profiles

| | |
|--|----|
| Contents of this chapter | 75 |
| Communication profiles | 75 |
| ODVA AC/DC drive profile | 77 |
| ODVA output attributes | 78 |
| Run Forward & Run Reverse (Control supervisor object) | 78 |
| Fault Reset (Control supervisor object) | 78 |
| Net Ctrl (Control supervisor object) | 78 |
| Net Ref (AC/DC drive object) | 78 |
| Speed Reference (AC/DC drive object) | 79 |
| Torque Reference (AC/DC drive object) | 81 |
| Energy objects | 81 |
| ODVA input attributes | 82 |
| Faulted (Control supervisor object) | 82 |
| Warning (Control supervisor object) | 82 |
| Running Forward (Control supervisor object) | 82 |
| Running Reverse (Control supervisor object) | 82 |
| Ready (Control supervisor object) | 82 |
| Ctrl From Net (Control supervisor object) | 82 |
| Ref From Net (AC/DC drive object) | 82 |
| At Reference (AC/DC drive object) | 83 |
| State (Control supervisor object) | 83 |
| Speed Actual (AC/DC drive object) | 85 |
| Torque Actual (AC/DC drive object) | 87 |
| ABB Drives communication profile | 88 |
| Control word and Status word | 88 |
| Control word contents | 88 |
| Status word contents | 91 |
| State machine | 93 |
| References | 94 |
| Scaling | 94 |



| | |
|---------------------|----|
| Actual values | 95 |
| Scaling | 95 |

8. Communication protocol

| | |
|--|-----|
| Contents of this chapter | 97 |
| ControlNet | 97 |
| Assembly objects | 98 |
| Basic speed control assembly | 98 |
| Basic speed control plus drive parameters assembly | 99 |
| Extended speed control assembly | 101 |
| Extended speed control plus drive parameters assembly | 102 |
| Basic speed and torque control assembly | 105 |
| Basic speed and torque control plus drive parameters assembly | 106 |
| Extended speed and torque control assembly | 108 |
| Extended speed and torque control plus drive parameters assembly | 109 |
| ABB Drives profile with set speed assembly | 112 |
| ABB Drives profile with set speed plus drive parameters assembly | 113 |
| ABB Drives profile with set speed and set torque assembly | 115 |
| ABB Drives profile with set speed and set torque plus drive parameters assembly | 116 |
| Transparent 16 with one assembly | 119 |
| Transparent 16 with one assembly plus drive parameters | 120 |
| Transparent 16 with two assembly | 122 |
| Transparent 16 with two assembly plus drive parameters | 123 |
| Transparent 32 with one assembly | 125 |
| Transparent 32 with one assembly plus drive parameters | 126 |
| Transparent 32 with two assembly | 129 |
| Transparent 32 with two assembly plus drive parameters | 130 |
| Class objects | 133 |
| Identity object, class 01h | 134 |
| Class attributes | 134 |
| Instance attributes | 134 |



| | |
|-------------------------------------|-----|
| Assembly object, class 04h | 137 |
| Class attributes | 137 |
| Instance attributes | 137 |
| Output assemblies | 137 |
| Input assemblies | 138 |
| Connection manager, class 06h | 139 |
| Class attributes | 139 |
| Instance attributes | 139 |
| Motor data, class 28h | 141 |
| Class attributes | 141 |
| Instance attributes | 142 |
| Control supervisor, class 29h | 143 |
| Class attributes | 143 |
| Instance attributes | 143 |
| AC/DC drive, class 2Ah | 145 |
| Class attributes | 145 |
| Instance attributes | 146 |
| Drive parameter, class 90h | 148 |
| Class attributes | 148 |
| Instance attributes | 148 |
| Fieldbus configuration, class 91h | 148 |
| Class attributes | 148 |
| Instance attributes | 149 |
| ControlNet, class F0h | 150 |
| Class attributes | 150 |
| Instance attributes | 150 |
| Keeper, class F1h | 155 |
| Class attributes | 156 |
| Instance attributes | 156 |
| Connection configuration, class F3h | 162 |
| Class attributes | 162 |
| Instance attributes | 163 |
| Port, class F4h | 164 |
| Class attributes | 164 |
| Instance attributes | 165 |
| Base energy object, class 4Eh | 166 |



| | |
|---|-----|
| Class attributes | 166 |
| Instance attributes | 167 |
| Electrical energy object, class 4Fh | 167 |
| Class attributes | 167 |
| Instance attributes | 168 |
| Non-electrical energy object, class 50h | 168 |
| Class attributes | 168 |
| Instance attributes | 169 |

9. Diagnostics

| | |
|---------------------------------------|-----|
| Contents of this chapter | 171 |
| Faults and warning messages | 171 |
| LED indications | 171 |

10. Technical data

| | |
|------------------------------------|-----|
| Contents of this chapter | 175 |
| FCNA-01 | 176 |
| ControlNet link | 177 |

Further information

| | |
|--|-----|
| Product and service inquiries | 179 |
| Product training | 179 |
| Providing feedback on ABB Drives manuals | 179 |
| Document library on the Internet | 179 |



1

Safety

Contents of this chapter

The chapter contains the warning symbols used in this manual and the safety instructions which you must obey when you install or connect an optional module to a drive, converter or inverter. If you ignore the safety instructions, injury, death or damage can occur. Read this chapter before you start the installation.



Use of warnings

Warnings tell you about conditions which can cause injury or death, or damage to the equipment. They also tell you how to prevent the danger. The manual uses these warning symbols:



Electricity warning tells you about hazards from electricity which can cause injury or death, or damage to the equipment.



General warning tells you about conditions, other than those caused by electricity, which can cause injury or death, or damage to the equipment.



Safety in installation

These instructions are for all who install or connect an optional module to a drive, converter or inverter, and need to open its front cover or door to do the work.



WARNING! Obey these instructions. If you ignore them, injury or death, or damage to the equipment can occur.

- If you are not a qualified electrician, do not do installation or maintenance work.
- Disconnect the drive, converter or inverter from all possible power sources. After you have disconnected the drive, converter or inverter, always wait for 5 minutes to let the intermediate circuit capacitors discharge before you continue.
- Disconnect all dangerous voltages connected to any control signal connectors in reach. For example, it is possible that 230 V AC is connected from outside to a relay output of the drive, converter or inverter.
- Always use a multimeter to make sure that there are no parts under voltage in reach. The impedance of the multimeter must be at least 1 Mohm.





2

Introduction to the manual

Contents of this chapter

This chapter introduces this manual.

Applicability

This manual applies to the FCNA-01 ControlNet adapter module, SW version V1.05 or later.

Compatibility

The FCNA-01 ControlNet adapter module is compatible with the following drives:

- ACS355
- ACSM1
- ACS850
- ACS880.

The adapter module is compatible with all master stations that support the ControlNet protocol.

Target audience

This manual is intended for people who plan the installation, install, start up, use and service the adapter module. Before you do work on the module, read this manual and the applicable drive/converter/inverter manual that contains the hardware and safety instructions for the product in question.

You are expected to know the fundamentals of electricity, wiring, electrical components and electrical schematic symbols.

The manual is written for readers worldwide. Both SI and imperial units are shown.

Purpose of the manual

The manual provides information on installing, commissioning and using an FCNA-01 ControlNet adapter module.

Contents

The manual consists of the following chapters:

- *Safety* presents the safety instructions which you must follow when installing a fieldbus adapter module.
 - *Introduction to the manual* introduces this manual.
 - *Overview of the ControlNet network and the FCNA-01 adapter module* contains a short description of the ControlNet network and the FCNA-01 ControlNet adapter module.
 - *Mechanical installation* contains a delivery checklist and instructions to install the adapter module.
 - *Electrical installation* contains general cabling instructions and instructions on connecting the module to the ControlNet network.
 - *Start-up* presents the steps to take during the start-up of the drive with the adapter module and gives examples of configuring the master system.
 - *Communication profiles* describes the communication profiles used in the communication between the ControlNet network, the adapter module and the drive.
-

- *Communication protocol* describes the communication on an ControlNet network.
- *Diagnostics* explains how to trace faults with the status LEDs on the adapter module.
- *Technical data* contains the technical data of the adapter module and the ControlNet link.

Terms and abbreviations

Note: Later in this manual, term *drive* substitutes for string drive/converter/inverter.

■ Terms

| Term | Explanation |
|----------------------|---|
| Application object | Reference to multiple Object classes that implement product-specific features. |
| Attribute | Description of an externally visible characteristic or feature of an object. Typically, attributes provide status information or govern the operation of an Object. For example: the ASCII name of an object; and the repetition rate of a cyclic object. |
| Behavior | Specification of how an object acts. Actions result from different events the object detects, such as receiving service requests, detecting internal faults or elapsing timers. |
| Class | Set of objects that all represent the same kind of system component. A class is a generalization of an object. All objects in a class are identical in form and behavior, but may contain different attribute values. |
| Command word | See Control word. |
| Communication module | Communication module is a name for a device (eg, a fieldbus adapter) through which the drive is connected to an external communication network (eg, a fieldbus). The communication with the module is activated with a drive parameter. |

| Term | Explanation |
|-----------------------------------|--|
| Communication object | Reference to the Object classes that manage and provide the run-time exchange of implicit (I/O) and explicit messages. |
| Control word | 16-bit or 32-bit word from master to slave with bit-coded control signals (sometimes called the Command word) |
| EDS file | Electronic data sheet (EDS) file identifies the properties of the device to the EtherNet/IP client. Each type of drive and application program requires its own EDS file. |
| FCNA-01 ControlNet adapter module | One of the optional fieldbus adapter modules available for ABB drives. FCNA-01 is a device through which an ABB drive is connected to an ControlNet network. |
| Input | In the ODVA ControlNet specification the word 'input' is used to describe data flow from a device (such as the adapter module) to the network. |
| Instance | Specific and real (physical) occurrence of an object. For example: New Zealand is an instance of the object class Country. Terms Object, Instance, and Object Instance all refer to a specific Instance. |
| Instantiate | To create an instance of an object with all instance attributes initialized to zero unless default values are specified in the object definition. |
| Media access control identifier | Identification value assigned to each node on the CIP network. This value distinguishes a node among all other nodes on the same link. MAC ID format is network-specific. |
| Object | Abstract representation of a particular component within a product. |
| Output | In the ODVA ControlNet specification the word 'output' is used to describe data flow from the network into a device (such as the adapter module). |

| Term | Explanation |
|-------------|---|
| Profile | Adaptation of the protocol for certain application field, for example, drives. In this manual, drive-internal profiles (eg, DCU or FBA) are called native profiles. |
| Service | Function supported by an object and/or object class. CIP defines a set of common services and provides for the definition of Object class and/or vendor-specific services. CIP common services are those whose parameters and required behaviors are defined in Appendix A. |
| Status word | 16-bit or 32-bit word from slave to master with bit-coded status messages. |

■ Abbreviations

| Abbreviation | Explanation |
|--------------|---|
| MAC ID | See Media access control identifier . |
| NAP | Network access port for a temporary connection of configuration tools |
| NUI | Network update interval |
| NUT | Network update time |
| ODVA™ | ODVA stands for Open DeviceNet Vendor Association. ODVA is an independent organization that promotes interoperativity between different manufacturers' ControlNet products. ABB is an Associate Member at ODVA. |

3

Overview of the ControlNet network and the FCNA-01 adapter module

Contents of this chapter

This chapter contains a short description of the ControlNet network and the FCNA-01 ControlNet adapter module.

ControlNet network

ControlNet is a scheduled communication network designed for cyclic data exchange. The protocol operates in cycles called Network update intervals (NUIs).

Each NUI has three phases:

- The first phase is dedicated to scheduled traffic, where all nodes with scheduled data are guaranteed a transmission opportunity.
 - The second phase is dedicated to unscheduled traffic. There is no guarantee that every node will get an opportunity to transmit in every unscheduled phase.
 - The third phase is network maintenance or "guardband". It includes synchronization and a means of determining the starting node on the next unscheduled data transfer.
-

Both the scheduled and unscheduled phase use an implicit token ring media access method. The amount of time each NUI consists of is called the Network Update Time (NUT). It is configurable from 2 to 100 ms. The default NUT on an unscheduled network is 5 ms.

The maximum size of a scheduled or unscheduled ControlNet data frame is 510 Bytes.

The network topology is a bus structure with short taps. ControlNet supports a star topology if used with the appropriate hardware.

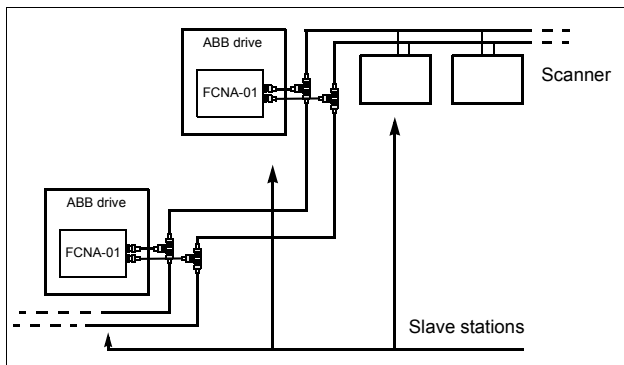
ControlNet cables consist of a RG-6 coaxial cable with BNC connectors. Optical fiber is sometimes used for long distances. ControlNet can operate with a single RG-6 coaxial cable bus, or a dual RG-6 coaxial cable bus for cable redundancy. In all cases, the RG-6 should be of quad-shield variety.

The maximum cable length without repeaters is 1000 m and the maximum number of nodes on the bus is 99. The network can support 5 repeaters (10 when used for redundant networks).

The physical layer signaling uses Manchester code at 5 Mbit/s. For more information, see chapter [Technical data](#).

■ Example topology

An example of an allowable topology is shown below.



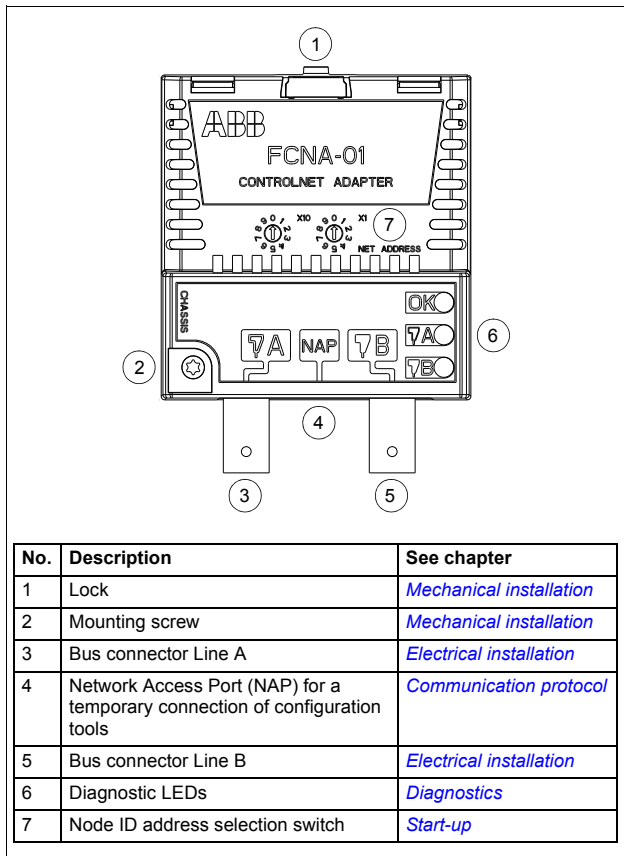
FCNA-01 adapter module

The FCNA-01 ControlNet adapter module is an optional device for ABB drives. It enables the connection of the drive to a ControlNet network.

Through the adapter module you can:

- give control commands to the drive (for example, Start, Stop, Run enable)
 - feed a motor speed or torque reference to the drive
 - give a process actual value or a process reference to the PID controller of the drive
 - read status information and actual values from the drive
 - reset a drive fault.
-

Layout of the adapter module



4

Mechanical installation

Contents of this chapter

This chapter contains a delivery checklist and instructions to install the adapter module.

Necessary tools and instructions

See the applicable drive hardware manual.



Unpacking and examining the delivery

1. Open the option package.
 2. Make sure that the package contains:
 - ControlNet adapter module, type FCNA-01
 - this manual.
 3. Make sure that there are no signs of damage.
-

Installing the adapter module



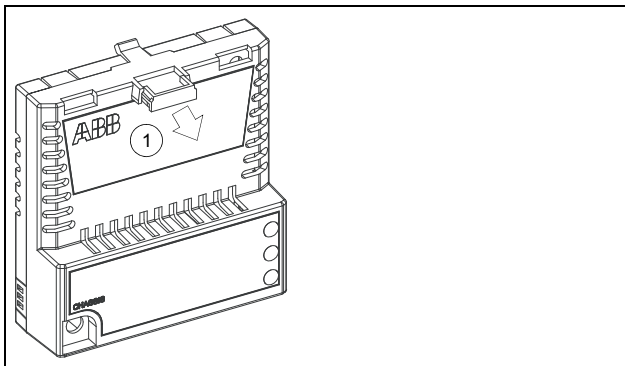
WARNING! Obey the safety instructions. See chapter [Safety](#) on page 11. If you ignore the safety instructions injury or death can occur.

The adapter module has a specific position in the drive. Plastic pins, a lock and one screw hold the adapter module in place. The screw also makes an electrical connection between the module and drive frame for cable shield termination.

When the adapter module is installed, it makes the signal and power connection to the drive through a 20-pin connector.

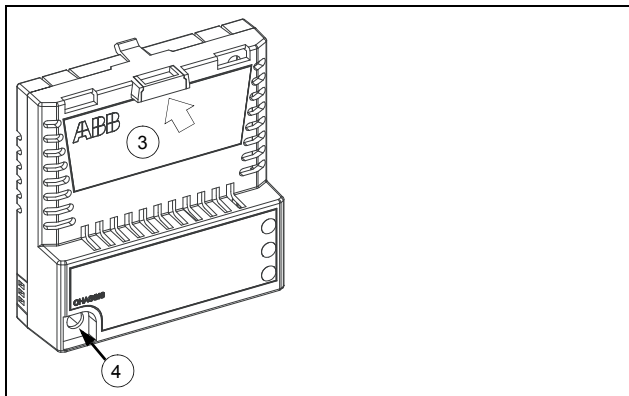
When you install or remove the adapter module from the control unit:

1. Pull out the lock.



2. Insert the adapter module carefully into its position on the drive.
-

3. Push in the lock.



4. Tighten the screw (0.8 N·m).

Note: It is essential to install the screw properly to fulfill the EMC requirements and to ensure the proper operation of the adapter module.



See the appropriate drive manual for instructions on how to install the adapter module to the drive.



5

Electrical installation

Contents of this chapter

This chapter contains:

- general cabling instructions
- instructions on connecting the module to the ControlNet network.

Warnings



WARNING! Obey the safety instructions. See chapter [Safety](#) on page [11](#). If you ignore the safety instructions, injury or death can occur. If you are not a qualified electrician, do not do electrical work.

Necessary tools and instructions

See the applicable drive hardware manual.



General cabling instructions

- Route the bus cables as far away from the motor cables as possible.
- Avoid parallel runs.
- Use bushings at cable entries.

When you connect the network cables, carefully insert the cable so that the plug enters the jack straightly without any misalignment and without applying any twisting or bending moments to the cable or the plug. Do not use excessive force. Make sure that the plug latches into place and finally check that the plug has entered all the way into the jack.

Route the cables so that they do not transmit bending stress to the connector.

The drive must be mounted so that there is enough room (15 cm) for the network cables so that the cables can be easily connected and disconnected and the cables need not go through an unreasonably small bending radius.

Connecting the adapter module to the ControlNet network

The network cable can be RG6/U - Quad Shielded Belden 3092A, 3092F & YR28890, 3093A or CommScope 5060 & 5060IS, 5060F & 5740F, 5061 or equivalent.

■ Connection procedure

1. Connect the bus cable to the BNC connectors A and/or B on the adapter module.
Use both connectors in redundant operation, otherwise use either connector A or B.
2. Terminate the ControlNet bus line with a 75-ohm resistor. See chapter [Technical data](#).

6

Start-up

Contents of this chapter

This chapter contains:

- information on configuring the drive for operation with the adapter module
- drive-specific instructions on starting up the drive with the adapter module
- examples of configuring the client for communication with the adapter module.

Warnings



WARNING! Obey the safety instructions given in this manual and the drive documentation.



Drive configuration

The following information applies to all drive types compatible with the adapter module, unless otherwise stated.

■ ControlNet connection configuration

After the adapter module has been mechanically and electrically installed according to the instructions in chapters *Mechanical installation* and *Electrical installation*, you must prepare the drive for communication with the adapter module.

The detailed procedure of activating the adapter module for ControlNet communication with the drive depends on the drive type. Normally, you must adjust a parameter to activate the communication. See the drive-specific start-up sections starting on page 46.

Once communication between the drive and the adapter module has been established, several configuration parameters are copied to the drive. These parameters are shown in the tables below and must be checked first and adjusted where necessary.

Note that not all drives display descriptive names for the configuration parameters. To help you identify the parameters in different drives, the names displayed by each drive are given in gray boxes in the tables.

Note: The new settings take effect only when the adapter module is powered up the next time or when the fieldbus adapter refresh parameter is activated.



FCNA-01 configuration parameters – group A (group 1)

Note: The actual parameter group number depends on the drive type. Group A (group 1) corresponds to:

- parameter group 51 in ACS355, ACSM1 and ACS850
- parameter group 51 in ACS880 if the adapter is installed as fieldbus adapter A or group 54 if the adapter is installed as fieldbus adapter B.

| No. | Name/Value | Description | Default |
|-----|--|--|---------------------------|
| 01 | FBA TYPE | Read-only. Shows the fieldbus adapter type as detected by the drive. Value cannot be adjusted by the user. If the value is 0 = None, the communication between the drive and the module has not been established. | 0x65 = Control-Net |
| 02 | PROTOCOL/ PROFILE ACS355: FB PAR 2 ACSM1: FBA PAR2 ACS850: FBA par2 ACS880: Profile | Selects the application protocol and communication profile for the network connection. Selections available for ControlNet communication are listed below. | 0 = ODVA |
| | 0 = ODVA | ODVA AC/DC drive profile | |
| | 1 = ABB Drives profile | ABB Drives profile | |
| | 2 = Transparent 16 | Transparent 16-bit profile | |
| | 3 = Transparent 32 | Transparent 32-bit profile | |
| 03 | MODULE MACID ACS355: FB PAR 3 ACSM1: FBA PAR3 ACS850: FBA par3 ACS880: MacID | Selects the MAC ID for the node. | 2 |
| | 0...99 | MAC ID | |

| No. | Name/Value | Description | Default |
|-----|--|---|---------------------|
| 04 | MODULE BAUD RATE ACS355: FB PAR 4 ACSM1: FBA PAR4 ACS850: FBA par4 ACS880: Baud rate | Read-only. Fixed to 5 Mbit/s. | 5 = 5 Mbit/s |
| | 5 = 5 Mbit/s | Communication speed is 5 Mbit/s. | |
| 05 | HW/SW OPTION ACS355: FB PAR 5 ACSM1: FBA PAR5 ACS850: FBA par5 ACS880: HW/SW Option | Defines the selection source of the module MAC ID. | 0 = HW |
| | 0 = HW | HW option selected | |
| | 1 = SW | SW option selected | |
| 06 | ODVA STOP FUNCTION ACS355: FB PAR 6 ACSM1: FBA PAR6 ACS850: FBA par6 ACS880: Stop function | Applies only when the ODVA AC7DC Drive profile is used. Determines how the motor will be stopped when a stop command is received. | 0 = RAMP |
| | 0 = RAMP | Motor decelerates along the active deceleration ramp. | |
| | 1 = COAST | Motor comes to a stop by coasting. | |

| No. | Name/Value | Description | Default |
|-----|--|---|-------------------|
| 07 | ODVA SPEED SCALE ACS355: FB PAR 7 ACSM1: FBA PAR7 ACS850: FBA par7 ACS880: Speed scale | <p>Defines the speed scale in the ODVA AC/DC drive profile. Units of reference and actual speeds for the ODVA AC/DC drive profile are given by the formula below. No effect on the ABB Drives profiles.</p> <p>Note: While a wide range of resolutions may be configured, the actual performance is limited to the performance capabilities of the drive.</p> <p>Speed unit = $\text{RPM} \times 2^{(-1 \times \text{ODVA speed scale value})}$</p> <p>Table below shows how the values of drive parameter ODVA SPEED SCALE correspond to the ODVA Speed Scale units.</p> | 128 ¹⁾ |

| ODVA speed scale value ¹⁾ | Speed scale value of drive parameter ²⁾ | Unit |
|--------------------------------------|--|-------------|
| -5 | 123 | 32 RPM |
| -4 | 124 | 16 RPM |
| -3 | 125 | 8 RPM |
| -2 | 126 | 4 RPM |
| -1 | 127 | 2 RPM |
| 0 (default) | 128 | 1 RPM |
| 1 | 129 | 0,5 RPM |
| 2 | 130 | 0,25 RPM |
| 3 | 131 | 0,125 RPM |
| 4 | 132 | 0,0625 RPM |
| 5 | 133 | 0,03125 RPM |

¹⁾ Use the ODVA speed scale value when reading/writing parameter **07 ODVA SPEED SCALE** via *AC/DC drive, class 2Ah*. When written via the AC/DC drive object, the new value takes effect immediately.

²⁾ Use the speed scale value of the drive parameter when reading/writing parameter **07 ODVA SPEED SCALE** via the drive control panel, *Drive parameter, class 90h* and *Fieldbus configuration, class 91h*. When written via these methods, the new value takes effect after the drive is repowered or a "Fieldbus Adapter Parameter refresh" is given.

| | | |
|---------|--|--|
| 0...255 | Speed scale value of the drive parameter | |
|---------|--|--|

| No. | Name/Value | Description | Default |
|-----|--|--|---------|
| 08 | ODVA TORQUE SCALE ACS355: FB PAR 8 ACSM1: FBA PAR8 ACS850: FBA par8 ACS880: Torque scale | Defines the torque scale in the ODVA AC/DC drive profile. Units of reference and actual torques for the ODVA AC/DC drive profile are given by the formula below. No effect on the ABB Drives profiles. Note: While a wide range of resolutions may be configured, the actual performance is limited to the performance capabilities of the drive. (N·m = Newton x Meter) Torque unit = N·m x 2 ^(-1 X ODVA torque scale) | 128 |
| | | Table below shows how the values of drive parameter ODVA TORQUE SCALE correspond to the ODVA Torque Scale units. | |

| ODVA torque scale value ¹⁾ | Torque scale value of drive parameter ²⁾ | Unit |
|---------------------------------------|---|-------------|
| -5 | 123 | 32 N·m |
| -4 | 124 | 16 N·m |
| -3 | 125 | 8 N·m |
| -2 | 126 | 4 N·m |
| -1 | 127 | 2 N·m |
| 0 (default) | 128 | 1 N·m |
| 1 | 129 | 0.5 N·m |
| 2 | 130 | 0.25 N·m |
| 3 | 131 | 0.125 N·m |
| 4 | 132 | 0.0625 N·m |
| 5 | 133 | 0.03125 N·m |

¹⁾ Use the ODVA torque scale value when reading/writing parameter **08 ODVA TORQUE SCALE** via *AC/DC drive, class 2Ah*. When written via the AC/DC drive object, the new value takes effect immediately.

²⁾ Use the torque scale value of the drive parameter when reading/writing parameter **08 ODVA TORQUE SCALE** via the drive control panel, *Drive parameter, class 90h* and *Fieldbus configuration, class 91h*. When written via these methods, the new value takes effect after the drive is repowered or a "Fieldbus Adapter Parameter refresh" is given.

0...255

Torque scale value of the drive parameter

| No. | Name/Value | Description | Default |
|-----|--|---|---------|
| 09 | T16 SCALE ACS355: FB PAR 9 ACSM1: FBA PAR9 ACS850: FBA par9 ACS880: T16 scale | Defines the reference multiplier/actual value divisor for the adapter module. Effective only when the Transparent 16 profile is selected AND the drive is using the native communication profile (eg, DCU or FBA) and 16-bit transparent Reference 1/Actual value 1. With an ACS355 drive, the speed reference from the PLC is multiplied by the value of this parameter plus one. For example, if the parameter has a value of 99 and a reference of 1000 given by the master, the reference will be multiplied by $99 + 1 = 100$ and forwarded to the drive as 100000. According to the DCU profile, this value is interpreted as a reference of 100 rpm in the drive. With ACSM1, ACS850 and ACS880, setting this parameter to 65535 provides the approximation of $1 = 1$ rpm. | 99 |
| | 0...65535 | Reference multiplier/actual value divisor | |
| 10 | CONTROL TIMEOUT ACS355: FB PAR 10 ACSM1: FBA PAR10 ACS850: FBA par10 ACS880: Control Timeout | The ControlNet protocol specifies connection timeout for I/O messaging (Class 1) and Connected explicit messaging (Class 3), but not Unconnected explicit messaging. This parameter provides a timeout for Unconnected explicit messaging and for instances of Connected explicit messaging (Class 3), where the client breaks the connection in between requests. | 99 |



| No. | Name/Value | Description | Default |
|-----|--|--|---|
| | Connection type | Control timeout | Timeout source |
| | I/O messaging (Class 1) | 0...65535 | (Requested Packet Interval) X (Connection Timeout Multiplier) Note: Timeout behavior may be modified by Watchdog Timeout Action attribute of Connection object. |
| | Connected explicit messaging (Class 3) | 0 | (Requested Packet Interval) X (Connection Timeout Multiplier) Note: Timeout behavior may be modified by Watchdog Timeout Action attribute of Connection object. |
| | | 1...65534 | 100ms X (Control Timeout Value) since last Control Event |
| | | 65535 | Never Timeout |
| | Unconnected explicit messaging | 0 | Always Timeout Note: Control Timeout must be greater than zero to control drive with Unconnected Explicit Messaging. |
| | | 1...65534 | 100ms X (Control Timeout Value) since last Control Event |
| | | 65535 | Never Timeout |
| | | <p>Control timeout events:</p> <ul style="list-style-type: none"> • Write of an output assembly object instance • Write of control bits (Run1, Run2, NetCtrl, NetRef and FaultReset) • Write Speed Reference • Write Torque Reference • Reset Control Supervisor object • Write Force Fault via Control Supervisor object <p>In the event of a timeout, the adapter module will signal the drive that communication with the client has been lost. The drive configuration will determine how it will respond.</p> <p>Example: If the timeout is configured for 250 ms and the drive is configured to fault on a communication failure with a delay of 500 ms, then the drive will fault 750 ms after communications is lost.</p> | |
| | 0...65535 | Control timeout value | |



| No. | Name/Value | Description | Default |
|-----|--|---|--|
| 11 | IDLE ACTION ACS355: FB PAR 11 ACSM1: FBA PAR11 ACS850: FBA par11 ACS880: Idle Action | I/O connections may include a Run/Idle notification. Determines the action the drive takes in response to an Idle notification. | 1 = ONLINE |
| | 0 = OFFLINE | In the event of an Idle notification, the adapter module will signal the drive that communication with the client has been lost. Drive configuration will determine how it will respond. Example: If the time-out is configured for 250 ms and the drive is configured to fault on a communication failure with a delay of 500 ms, then the drive will fault 750 ms after communications is lost. | |
| | 1 = ONLINE | In the event of an Idle notification, the drive will continue to operate using the last command and references received. | |
| 12 | T-> O Real Time Format ACS355: FB PAR 12 ACSM1: FBA PAR12 ACS850: FBA par12 ACS880: Real Time Format | Defines the length of the header of class 0 message sent from drive to PLC. | 0 = No Run/Idle notification included |
| | 0 = No Run/Idle notification included | Message does not contain a Run/Idle header. Default value. | |
| | 1 = 32 bit Run/Idle header | Message contains the run/idle header. Value of header is always 0. Adapter is compatible with in this mode. | |
| ... | ... | ... | ... |



| No. | Name/Value | Description | Default |
|-----|---|---|----------|
| 26 | RESTORE FACTORY SETTINGS ACS355: FB PAR 26 ACSM1: FBA PAR26 ACS850: FBA par26 ACS880: Restore Def Conf | Clears the non-volatile storage in the adapter module. Saved objects are Id, Keeper and COCO. | 0 |
| | 0 = No | Non-volatile storage will not be cleared | |
| | 1 = Yes | Non-volatile storage will be cleared | |
| 27 | FBA PAR REFRESH ACS355/ACSM1: FBA PAR REFRESH ACS850: FBA par refresh ACS880: FBA A/B par refresh | Validates any changed adapter module configuration parameter settings. After refreshing, the value reverts automatically to 0 = Done. Note: This parameter cannot be changed while the drive is running. | 0 = Done |
| | 0 = Done | Refreshing done | |
| | 1 = Refresh / Configure | Refreshing | |
| 28 | PAR TABLE VER ACS355: FILE CPI FW REV ACSM1: PAR TABLE VER ACS850: Par table ver ACS880: FBA A/B par table ver | Read-only. Displays the parameter table revision of the fieldbus adapter module mapping file stored in the memory of the drive. In format xyz , where x = major revision number y = minor revision number z = correction number OR in format axyz , where a = major revision number xy = minor revision numbers z = correction number or letter. | N/A |
| | | Parameter table revision | |



| No. | Name/Value | Description | Default |
|-----|--|--|--|
| 29 | DRIVE TYPE CODE ACS355: FILE CONFIG ID ACSM1: DRIVE TYPE CODE ACS850: Drive type code ACS880: FBA A/B drive type code | Read-only. Displays the drive type code of the fieldbus adapter module mapping file stored in the memory of the drive. | N/A |
| | | Drive type code of the fieldbus adapter module mapping file | |
| 30 | MAPPING FILE VER ACS355: FILE CONFIG REV ACSM1: MAPPING FILE VER ACS850: Mapping file ver ACS880: FBA A/B mapping file ver | Read-only. Displays the fieldbus adapter module mapping file revision stored in the memory of the drive in decimal format. | N/A |
| | | Mapping file revision | |
| 31 | D2FBA COMM STA ACS355: FBA STATUS ACSM1: D2FBA COMM STA ACS850: D2FBA comm sta ACS880: D2FBA A/B comm status | Read-only. Displays the status of the fieldbus adapter module communication. Note: The value names may vary by drive. | 0 = Idle OR 4 = Off-line |
| | 0 = Idle | Adapter is not configured. | |
| | 1 = Exec.init | Adapter is initializing. | |



| No. | Name/Value | Description | Default |
|-----|--|---|---------|
| | 2 = Time out | A timeout has occurred in the communication between the adapter and the drive. | |
| | 3 = Conf.err | Adapter configuration error: The major or minor revision code of the common program revision in the fieldbus adapter module is not the revision required by the module or mapping file upload has failed more than three times. | |
| | 4 = Off-line | Adapter is off-line. | |
| | 5 = On-line | Adapter is on-line. | |
| | 6 = Reset | Adapter is performing a hardware reset. | |
| 32 | FBA COMM SW VER ACS355: FBA CPI FW REV ACSM1: FBA COMM SW VER ACS850: FBA comm sw ver ACS880: FBA A/B comm SW ver | Read-only. Displays the common program revision of the adapter module in format axyz , where: a = major revision number xy = minor revision numbers z = correction number or letter. | N/A |
| | | Common program version of the adapter module | |
| 33 | FBA APPL SW VER ACS355: FBA APPL FW REV ACSM1: FBA APPL SW VER ACS850: FBA appl sw ver ACS880: FBA A/B appl SW ver | Read-only. Displays the application program revision of the adapter module in format axyz , where: a = major revision number xy = minor revision numbers z = correction number or letter. | N/A |
| | | Application program revision of the adapter module | |



FCNA-01 configuration parameters – group B (group 2)

Note: The actual parameter group number depends on the drive type. Group B (group 2) corresponds to:

- parameter group 55 in ACS355
- parameter group 53 in ACSM1 and ACS850
- parameter group 53 in ACS880 if the adapter is installed as fieldbus adapter A or group 56 if the adapter is installed as fieldbus adapter B.

| No. ¹⁾ | Name/Value | Description | Default | | | | | | |
|-------------------|---|--|-----------------|----------|--------|---|------------|-----------------------------|-----------------|
| 01 | DATA OUT 1 (client to drive) ACS355: FBA DATA OUT 1 ACSM1: FBA DATA OUT1 ACS850: FBA data out1 ACS880: FBA A/B data out1 | In output assembly instances that include drive parameters, this parameter specifies which parameter's value will be placed in location DATA OUT 1 value received by the drive from the ControlNet client. Content is defined by a decimal number in the range of 0 to 9999 as follows: <table border="1" data-bbox="422 630 857 819"> <tr> <td>0</td> <td>Not used</td> </tr> <tr> <td>1...99</td> <td>Virtual address area of drive control. Not used when the ControlNet protocol is used.</td> </tr> <tr> <td>101...9999</td> <td>Parameter area of the drive</td> </tr> </table> | 0 | Not used | 1...99 | Virtual address area of drive control. Not used when the ControlNet protocol is used. | 101...9999 | Parameter area of the drive | 0 = None |
| 0 | Not used | | | | | | | | |
| 1...99 | Virtual address area of drive control. Not used when the ControlNet protocol is used. | | | | | | | | |
| 101...9999 | Parameter area of the drive | | | | | | | | |
| | 0 = None | Not used | | | | | | | |
| | 101...9999 | Parameter index with format xxyy , where <ul style="list-style-type: none"> • xx is the parameter group number (1...99) • yy is the parameter number index within that group (01...99). Note: In ACS880, choose Other to display a list of mappable drive parameters. | | | | | | | |
| 02... 10 | DATA OUT 2 ... DATA OUT 10 | See parameter 01 DATA OUT 1 . | 0 = None | | | | | | |

¹⁾ The number of parameters in this group may vary by drive type and drive firmware.

FCNA-01 configuration parameters – group C (group 3)

Note: The actual parameter group number depends on the drive type. Group C (group 3) corresponds to:

- parameter group 54 in ACS355
- parameter group 52 in ACSM1 and ACS850
- parameter group 52 in ACS880 if the adapter is installed as fieldbus adapter A or group 55 if the adapter is installed as fieldbus adapter B.

| No. ¹⁾ | Name/Value | Description | Default | | | | | | |
|-------------------|--|--|-----------------|----------|--------|---|------------|-----------------------------|-----------------|
| 01 | DATA IN 1 (drive to client) ACS355: FBA DATA IN 1 ACSM1: FBA DATA IN1 ACS850: FBA data in1 ACS880: FBA A/B data in1 | In input assembly instances that include drive parameters, this parameter specifies which parameter's value will be placed in location DATA IN 1 value sent by the drive to the ControlNet client. Content is defined by a decimal number in the range of 0 to 9999 as follows: <table border="1" data-bbox="339 627 774 816"> <tr> <td>0</td> <td>Not used</td> </tr> <tr> <td>1...99</td> <td>Virtual address area of drive control. Not used when the ControlNet protocol is used.</td> </tr> <tr> <td>101...9999</td> <td>Parameter area of the drive</td> </tr> </table> | 0 | Not used | 1...99 | Virtual address area of drive control. Not used when the ControlNet protocol is used. | 101...9999 | Parameter area of the drive | 0 = None |
| 0 | Not used | | | | | | | | |
| 1...99 | Virtual address area of drive control. Not used when the ControlNet protocol is used. | | | | | | | | |
| 101...9999 | Parameter area of the drive | | | | | | | | |
| | 0 = None | Not used | | | | | | | |
| | 101...9999 | Parameter index with format xyy , where <ul style="list-style-type: none"> • xx is the parameter group number (1...99) • yy is the parameter number index within that group (01...99). Note: In ACS880, choose Other to display a list of mappable drive parameters. | | | | | | | |
| 02... 10 | DATA IN 2 ... DATA IN 10 | See parameter 01 DATA IN 1 . | 0 = None | | | | | | |

¹⁾ The number of parameters in this group may vary by drive type and drive firmware.

■ Control locations

ABB drives can receive control information from multiple sources including digital inputs, analog inputs, the drive control panel and a fieldbus adapter module (for example, the adapter module). ABB drives allow the user to separately determine the source for each type of control information (Start, Stop, Direction, Reference, Fault reset, etc.).

To give the fieldbus client the most complete control over the drive, you must select the adapter module as the source of this information. The drive-specific parameter setting examples below contain the drive control parameters relevant in the examples. For a complete parameter list, see the drive documentation.



Starting up ACS355 drives

1. Power up the drive.
2. Enable the communication between the adapter module and the drive with parameter 9802 COMM PROT SEL.
3. Set the FCNA-01 configuration parameters in group 51.
At the minimum, select the communication protocol and profile with parameter 5102 and set the MAC ID address either with parameters 5103 and 5105 or with the switches.
4. With parameter 3018 COMM FAULT FUNC, select how the drive reacts to a fieldbus communication break.
5. With parameter 3019 COMM FAULT TIME, define the time between communication break detection and the selected action.

6. Define the process data transferred to and from the drive in parameter groups 54 and 55.

Note: The adapter module assigns the Control word, Status word, references 1...2 and actual values 1...2 automatically to cyclical communication according to the selected assembly instances.

7. Validate the settings made in parameter groups 51, 54 and 55 with parameter 5127 FBA PAR REFRESH.

8. Set the relevant drive control parameters to control the drive according to the application.

Examples of appropriate values are shown in the tables below.



■ Parameter setting examples – ACS355

Speed control using the ODVA AC/DC drive profile, Extended speed control assembly

This example shows how to configure a speed control application that uses the ODVA AC/DC drive profile, Extended speed control assembly. In addition, some application-specific data is added to the communication.


The start/stop commands and reference scaling are according to the ODVA AC/DC drive profile. For more information, see section [ODVA AC/DC drive profile](#) on page 77.

When Reference 1 (REF1) is used for speed control and the parameter 5107 value is 128, an ODVA speed reference value of ± 30000 (decimal) corresponds to an equal amount of rpm in the drive. The reference value sent from the PLC is limited by parameter 1105 REF1 MAX in the forward and reverse directions.

The minimum and maximum 16-bit integer values that can be given through the fieldbus are -32768 and 32767 respectively.

| Bytes | Instance 121 | Instance 171 |
|-------|---------------------------------|------------------------------|
| 0...1 | Control word | Status word |
| 2...3 | Speed reference | Speed actual value |
| 4...5 | Acceleration time ¹⁾ | Power ¹⁾ |
| 6...7 | Deceleration time ¹⁾ | DC bus voltage ¹⁾ |

¹⁾ Example

The table below gives the recommended drive parameter settings. 

| Drive parameter | Setting for ACS355 drives | Description |
|-------------------------------------|---------------------------|--|
| 9802 COMM PROT SEL | 4 = EXT FBA | Enables communication between the drive and the fieldbus adapter module. |
| 5101 FBA TYPE | ControlNet ¹⁾ | Displays the type of the fieldbus adapter module. |
| 5102 FB PAR 2 (PROTOCOL/PROFILE) | 0 (= ODVA) | Selects the ControlNet protocol and the ODVA AC/DC drive profile. |

| Drive parameter | Setting for ACS355 drives | Description |
|---------------------------------------|---------------------------|--|
| 5103 FB PAR 3 (MODULE MACID) | 2 | Selects the MAC ID for the node. Used when the HW switch (5105) is not in use. |
| 5104 FB PAR 4 (MODULE BAUD RATE) | 5 (= 5 Mbit/s) | Baud rate is fixed to 5 Mbit/s. |
| 5105 FB PAR 5 (HW/SW OPTION) | 0 (= HW) ²⁾ | Sets the MAC ID. Set the rotary switch, eg. to 2. |
| 5106 FB PAR 6 (ODVA STOP FUNCTION) | 0 (= RAMP) | Ramp stop |
| 5107 FB PAR 7 (ODVA SPEED SCALE) | 128 | Sets the scaling for the ODVA speed reference. Speed reference given in rpm. |
| 3018 COMM FAULT FUNC | 1 = FAULT ²⁾ | Enables fieldbus communication fault monitoring. |
| 3019 COMM FAULT TIME | 3.0 s ²⁾ | Defines the fieldbus communication break supervision time. |
| 5401 FBA DATA IN 1 | 106 ²⁾ | Power |
| 5402 FBA DATA IN 2 | 107 ²⁾ | DC bus voltage |
| 5501 FBA DATA OUT 1 | 2202 ²⁾ | Acceleration time |
| 5502 FBA DATA OUT 2 | 2203 ²⁾ | Deceleration time |
| 5127 FBA PAR REFRESH | 1 = REFRESH | Validates the FCNA-01 configuration parameter settings. |
| 9904 MOTOR CTRL MODE | 1 = VECTOR: SPEED | Selects the speed control mode as the motor control mode. |
| 1001 EXT1 COMMANDS | 10 = COMM | Selects the fieldbus interface as the source of the start and stop commands for external control location 1. |
| 1103 REF1 SELECT | 8 = COMM | Selects the fieldbus reference 1 as the source for speed reference 1. |
| 1601 RUN ENABLE | 7 = COMM | Selects the fieldbus interface as the source for the inverted Run enable signal (Run disable). |



| Drive parameter | Setting for ACS355 drives | Description |
|----------------------|---------------------------|--|
| 1604 FAULT RESET SEL | 8 = COMM | Selects the fieldbus interface as the source for the fault reset signal. |

1) Read-only or automatically detected/set

2) Example


The start sequence for the parameter example above is given below.

Control word:

- Reset the fieldbus communication fault (if active).
- Enter 0h (0 decimal) → READY.
- Enter 1h (1 decimal) → ENABLED (Running forward)
or
2h (2 decimal) → ENABLED (Running reverse).



Starting up ACSM1 drives

1. Power up the drive.
 2. Enable the communication between the adapter module and the drive with parameter 50.01 FBA ENABLE.
 3. With parameter 50.02 COMM LOSS FUNC, select how the drive reacts to a fieldbus communication break.
Note that this function monitors both communication between the fieldbus master and the adapter module and communication between the adapter module and the drive.
 4. With parameter 50.03 COMM LOSS T OUT, define the time between communication break detection and the selected action.
 5. Select application-specific values for parameters 50.04...50.11.
Examples of appropriate values are shown in the tables below.
 6. Select the profile with parameter 51.02.
 7. Set the MacID address either with parameters 51.03 and 51.05 or with the switches.
 8. Define the process data transferred to and from the drive in parameter groups 52 and 53.
 **Note:** The adapter module assigns the Control word, Status word, references 1...2 and actual values 1...2 automatically to cyclical communication according to the selected assembly instances.
 9. Validate the settings made in parameter groups 51, 52 and 53 with parameter 51.27 FBA PAR REFRESH.
 10. Set the relevant drive control parameters to control the drive according to the application.
Examples of appropriate values are shown in the tables below.
-

■ Parameter setting examples – ACSM1

Speed control using the ODVA AC/DC drive profile, Extended speed control assembly

This example shows how to configure a speed control application that uses the ODVA AC/DC drive profile, Extended speed control assembly. In addition, some application-specific data is added to the communication.

The start/stop commands and reference scaling are according to the ODVA AC/DC drive profile. For more information, see section [ODVA AC/DC drive profile](#) on page 77.

When Reference 1 (REF1) is used for speed control and the value of parameter 51.07 is 128, an ODVA speed reference value of ± 30000 (decimal) corresponds to an equal amount of rpm in the drive. The speed reference value sent by the PLC is limited by parameter 20.01 MAXIMUM SPEED in the forward direction and 20.02 MINIMUM SPEED in the reverse direction.

The minimum and maximum 16-bit integer values that can be given through the fieldbus are -32768 and 32767 respectively.

| Bytes | Instance 121 | Instance 171 |
|--------|---------------------------------|------------------------------|
| 0...1 | Control word | Status word |
| 2...3 | Speed reference | Speed actual value |
| 4...7 | Acceleration time ¹⁾ | Power ¹⁾ |
| 8...11 | Deceleration time ¹⁾ | DC bus voltage ¹⁾ |

¹⁾ Example



The table below gives the recommended drive parameter settings.

| Drive parameter | Setting for ACSM1 drives | Description |
|-------------------------------------|--------------------------|--|
| 50.01 FBA ENABLE | Enable | Enables communication between the drive and the fieldbus adapter module. |
| 50.02 COMM LOSS FUNC | Fault ²⁾ | Enables fieldbus communication fault monitoring. |
| 50.03 COMM LOSS T OUT | 3.0 s ²⁾ | Defines the fieldbus communication break supervision time. |
| 50.04 FBA REF1 MODESEL | Speed | Selects the fieldbus reference 1 scaling. |
| 51.03 FBA PAR 3 (MODULE MACID) | 2 | Select MAC ID for the node. Used if the HW switch (51.05) is not in use. |
| 5104 FB PAR 4 (MODULE BAUD RATE) | 5 (= 5 Mbit/s) | Baud rate is fixed to 5 Mbit/s. |
| 51.05 FBA PAR 5 (HW/SW OPTION) | 0 (= HW) ²⁾ | Sets the MAC ID. Set the rotary switch, eg. to 2. |
| 51.06 FB par 6 (ODVA STOP FUNCTION) | 0 (= RAMP) | Ramp stop |
| 51.07 FB par 7 (ODVA SPEED SCALE) | 128 | Sets the scaling for the ODVA speed reference. Speed reference is given in rpm. |
| 52.01 FBA DATA IN1 | 122 ²⁾ | Power |
| 52.03 FBA DATA IN3 | 107 ²⁾ | DC bus voltage |
| 53.01 FBA DATA OUT1 | 2503 ²⁾ | Acceleration time |
| 53.03 FBA DATA OUT3 | 2504 ²⁾ | Deceleration time |
| 51.27 FBA PAR REFRESH | REFRESH | Validates the FCNA-01 configuration parameter settings. |
| 10.01 EXT1 START FUNC | FBA | Selects the fieldbus interface as the source of the start and stop commands for external control location 1. |
| 24.01 SPEED REF1 SEL | FBA REF1 | Selects the fieldbus reference 1 as the source for speed reference 1. |

| Drive parameter | Setting for ACSM1 drives | Description |
|-----------------------|--------------------------|--|
| 34.01 EXT1/EXT2 SEL | C.FALSE | Selects that the external control location is always EXT1. |
| 34.03 EXT1 CTRL MODE1 | Speed | Selects speed control as the control mode 1 for external control location 1. |

¹⁾ Read-only or automatically detected/set

²⁾ Example

The start sequence for the parameter example above is given below.

Control word:

- Reset the fieldbus communication fault (if active).
 - Enter 0h (0 decimal) → READY.
 - Enter 1h (1 decimal) → ENABLED (Running forward)
- or
- 2h (2 decimal) → ENABLED (Running reverse).




Starting up ACS850 drives

1. Power up the drive.
2. Enable the communication between the adapter module and the drive with parameter 50.01 FBA enable.
3. With parameter 50.02 Comm loss func, select how the drive reacts to a fieldbus communication break.

Note that this function monitors both communication between the fieldbus master and the adapter module and communication between the adapter module and the drive.

4. With parameter 50.03 Comm loss t out, define the time between communication break detection and the selected action.
5. Select application-specific values for parameters 50.04...50.11.
Examples of appropriate values are shown in the tables below.
6. Select the profile with parameter 51.02.
7. Set the Mac ID address either with parameters 51.03 and 51.05 or with the switches.

8. Define the process data transferred to and from the drive in parameter groups 52 and 53.

 **Note:** The adapter module assigns the Control word, Status word, references 1...2 and actual values 1...2 automatically to cyclical communication according to the selected assembly instances.

9. Validate the settings made in parameter groups 51, 52 and 53 by with parameter 51.27 FBA par refresh.
10. Set the relevant drive control parameters to control the drive according to the application.

Examples of appropriate values are shown in the tables below.

Parameter setting examples – ACS850

Speed control using the ODVA AC/DC drive profile, Extended speed control assembly

This example shows how to configure a speed control application that uses the ODVA AC/DC drive profile, Extended speed control assembly. In addition, some application-specific data is added to the communication.

The start/stop commands and reference scaling are according to the ODVA AC/DC drive profile. For more information, see section [ODVA AC/DC drive profile](#) on page 77.

When Reference 1 (REF1) is used for speed control and the value of parameter 51.07 is 128, an ODVA speed reference value of ± 30000 (decimal) corresponds to an equal amount of rpm in the drive. The speed reference value sent from the PLC is limited by parameter 20.01 Maximum speed in the forward direction and 20.02 Minimum speed in the reverse direction.

The minimum and maximum 16-bit integer values that can be given through the fieldbus are -32768 and 32767 respectively.

| Bytes | Instance 121 | Instance 171 |
|--------|---------------------------------|------------------------------|
| 0...1 | Control word | Status word |
| 2...3 | Speed reference | Speed actual value |
| 4...7 | Acceleration time ¹⁾ | Power ¹⁾ |
| 8...11 | Deceleration time ¹⁾ | DC bus voltage ¹⁾ |

¹⁾ Example



The table below gives the recommended drive parameter settings.

| Drive parameter | Setting for ACS850 drives | Description |
|-----------------------|---------------------------|--|
| 50.01 Fba enable | Enable | Enables communication between the drive and the fieldbus adapter module. |
| 50.02 Comm loss func | Fault ²⁾ | Enables fieldbus communication fault monitoring. |
| 50.03 Comm loss t out | 3.0 s ²⁾ | Defines the fieldbus communication break supervision time. |

| Drive parameter | Setting for ACS850 drives | Description |
|-------------------------------------|---------------------------|--|
| 50.04 Fb ref1 modesel | Speed | Selects the fieldbus reference 1 scaling. |
| 51.03 FBA PAR 3 (MODULE MACID) | 2 | Selects the MAC ID for the node. Used if the HW switch (51.05) is not in use. |
| 51.04 FB PAR 4 (MODULE BAUD RATE) | 5 (= 5 Mbit/s) | Baud rate is fixed to 5 Mbit/s. |
| 51.05 FBA PAR 5 (HW/SW OPTION) | 0 (= HW) ²⁾ | Sets the MAC ID. Set the rotary switch, eg, to 2 |
| 51.06 FB par 6 (ODVA STOP FUNCTION) | 0 (= RAMP) | Ramp stop. |
| 51.07 FB par 7 (ODVA SPEED SCALE) | 128 | Sets the scaling for the ODVA speed reference. Speed reference given in rpm. |
| 52.01 FBA data in1 | 122 ²⁾ | Power |
| 52.03 FBA data in3 | 107 ²⁾ | DC bus voltage |
| 53.01 FBA data out1 | 2202 ²⁾ | Acceleration time |
| 53.03 FBA data out3 | 2203 ²⁾ | Deceleration time |
| 51.27 FBA par refresh | Refresh | Validates the FCNA-01 configuration parameter settings. |
| 10.01 Ext1 start func | FB | Selects the fieldbus interface as the source of the start and stop commands for external control location 1. |
| 21.01 Speed ref1 sel (ACS850) | FBA ref1 | Selects the fieldbus reference 1 as the source for speed reference 1. |

¹⁾ Read-only or automatically detected/set

²⁾ Example

The start sequence for the parameter example above is given below.

Control word:

- Reset the fieldbus communication fault (if active).
- Enter 0h (0 decimal) → READY.
- Enter 1h (1 decimal) → ENABLED (Running forward)
or
2h (2 decimal) → ENABLED (Running reverse).



Starting up ACS880 drives

1. Power up the drive.
2. Enable the communication between the adapter module and the drive with parameter 50.01 FBA A Enable.
The selection must correspond to the slot where the adapter module is installed. For example, if the adapter module is installed in slot 1, select slot 1.
3. With parameter 50.02 FBA A comm loss func, select how the drive reacts to a fieldbus communication break.
Note that this function monitors both communication between the fieldbus master and the adapter module and communication between the adapter module and the drive.
4. With parameter 50.03 FBA A comm loss t out, define the time between communication break detection and the selected action.
5. Select application-specific values for the rest of the parameters in group 50, starting from 50.04.
Examples of appropriate values are shown in the tables below.
6. Select the profile with parameter 51.02.
7. Set the Mac ID address either with parameters 51.03 and 51.05 or with the switches.
8. Define the process data transferred to and from the drive in parameter groups 52 and 53.
Note: The adapter module assigns the Control word, Status word, references 1...2 and actual values 1...2 automatically to cyclical communication according to the selected assembly instances.
9. Validate the settings made in parameter groups 51, 52 and 53 with parameter 51.27 FBA A par refresh.



10. Save the valid parameter values to permanent memory with parameter 96.07 Parameter save manually.
11. Set the relevant drive control parameters to control the drive according to the application.

Examples of appropriate values are shown in the tables below.

■ Parameter setting examples – ACS880

Speed control using the ODVA AC/DC drive profile, Extended speed control assembly

This example shows how to configure a speed control application that uses the ODVA AC/DC drive profile, Extended speed control assembly. In addition, some application-specific data is added to the communication.

The start/stop commands and reference scaling are according to the ODVA AC/DC drive profile. For more information, see section [ODVA AC/DC drive profile](#) on page 77.

When Reference 1 (REF1) is used for speed control and the value of parameter 51.07 is 128, an ODVA speed reference value of ± 30000 (decimal) corresponds to an equal amount of rpm in the drive. The speed reference value sent from the PLC is limited by parameter 30.12 Maximum speed in the forward direction and 30.11 Minimum speed in the reverse direction.

The minimum and maximum 16-bit integer values that can be given through the fieldbus are -32768 and 32767 respectively.

| Bytes | Instance 121 | Instance 171 |
|--------|---------------------------------|------------------------------|
| 0...1 | Control word | Status word |
| 2...3 | Speed reference | Speed actual value |
| 4...7 | Acceleration time ¹⁾ | Power ¹⁾ |
| 8...11 | Deceleration time ¹⁾ | DC bus voltage ¹⁾ |

¹⁾ Example



The table below gives the recommended drive parameter settings.

| Drive parameter | Setting for ACS880 drives | Description |
|-----------------------------|---------------------------------|--|
| 50.01 FBA A enable | 1 = Option slot1t ²⁾ | Enables communication between the drive and the fieldbus adapter module. |
| 50.02 FBA A comm loss func | 1 = Fault ²⁾ | Enables fieldbus A communication fault monitoring. |
| 50.03 FBA A comm loss t out | 3.0 s ²⁾ | Defines the fieldbus A communication break supervision time. |
| 50.04 FBA A ref1 type | 4 = Speed | Selects the fieldbus A reference 1 type and scaling. |

| | | |
|-------------------------------------|------------------------|---|
| 51.03 FBA PAR 3 (MODULE MACID) | 2 | Selects the MAC ID for the node. Used if the HW switch (51.05) is not in use. |
| 5104 FB PAR 4 (MODULE BAUD RATE) | 5 (= 5 Mbit/s) | Baud rate is fixed to 5 Mbit/s. |
| 51.05 FBA PAR 5 (HW/SW OPTION) | 0 (= HW) ²⁾ | Sets the MAC ID. Set the rotary switch, eg. to 2. |
| 51.06 FB par 6 (ODVA STOP FUNCTION) | 0 (= RAMP) | Ramp stop. |
| 51.07 FB par 7 (ODVA SPEED SCALE) | 128 | Sets the scaling for the ODVA speed reference. Speed reference given in rpm. |

| | | |
|-----------------------|-----------------------|--------------|
| 52.01 FBA A data in1 | P.1.14 ²⁾ | Output power |
| 52.03 FBA A data in3 | P.1.11 ²⁾ | DC voltage |
| 53.01 FBA A data out1 | P.23.12 ²⁾ | Acc time 1 |
| 53.03 FBA A data out3 | P.23.13 ²⁾ | Dec time 1 |

| | | |
|-------------------------|-------------|---|
| 51.27 FBA A par refresh | 1 = Refresh | Validates the FCNA-01 configuration parameter settings. |
|-------------------------|-------------|---|

| | | |
|-------------------------|-----------------|--|
| 20.01 Ext1 commands | 12 = Fieldbus A | Selects the fieldbus A interface as the source of the start and stop commands for external control location 1. |
| 22.11 Speed ref1 source | 4 = FB A ref1 | Selects the fieldbus A reference 1 as the source for speed reference 1. |



| Drive parameter | Setting for ACS880 drives | Description |
|-----------------|---------------------------|-------------|
|-----------------|---------------------------|-------------|

¹⁾ Read-only or automatically detected/set

²⁾ Example

The start sequence for the parameter example above is given below.

Control word:

- Reset the fieldbus communication fault (if active).
- Enter 0h (0 decimal) → READY.
- Enter 1h (1 decimal) → ENABLED (Running forward)
or
2h (2 decimal) → ENABLED (Running reverse).



Configuring the client

After the adapter module has been initialized by the drive, the client must be prepared for communication with the module. An example of an Allen-Bradley® PLC is given below. If you are using another client system, refer to its documentation for more information.

The example can be applied to all drive types compatible with the module.

■ Before you start

Decide on the following points before starting the client configuration.

Select protocol/profile

During the configuration of the drive and the client, it is necessary to select a communication protocol, in this case ControlNet, and a communication profile. The communication profile determines what I/O assemblies and objects are available. See chapter [Communication profiles](#) for more information.

Select output and input assembly instances

ControlNet devices implement multiple objects each with many attributes. While it is possible to write or read each attribute separately to control the drive, this is inefficient. Assembly object instances provide a means to group writes or reads of attributes. The selection of assembly objects is limited by the choice of the communication profile. The table below provides a listing of the output and input assemblies.

| Name | Output instance | Input instance | Size (bytes) | Profile |
|-----------------------------------|-----------------|----------------|--------------|------------------|
| Basic speed control | 20 | 70 | 4 | ODVA AC/DC drive |
| Enhanced speed control | 21 | 71 | 4 | ODVA AC/DC drive |
| Basic speed and torque control | 22 | 72 | 6 | ODVA AC/DC drive |
| Enhanced speed and torque control | 23 | 73 | 6 | ODVA AC/DC drive |

| Name | Output instance | Input instance | Size (bytes) | Profile |
|--|-----------------|----------------|--------------|-----------------------|
| Basic speed control plus drive parameters | 120 | 170 | 24 | ODVA AC/DC drive |
| Enhanced speed control plus drive parameters | 121 | 171 | 24 | ODVA AC/DC drive |
| Basic speed and torque control plus drive parameters | 122 | 172 | 26 | ODVA AC/DC drive |
| Enhanced speed and torque control plus drive parameters | 123 | 173 | 26 | ODVA AC/DC drive |
| User specific drive parameters assembly up to 32 words | 124 | 153 | 20 | ODVA AC/DC drive |
| ABB Drives profile w/ set speed | 1 | 51 | 4 | ABB Drives profile |
| ABB Drives profile w/ set speed and set torque | 2 | 52 | 6 | ABB Drives profile |
| ABB Drives profile w/ set speed plus drive parameters | 101 | 151 | 24 | ABB Drives profile |
| ABB Drives profile w/ set speed and set torque plus drive parameters | 102 | 152 | 26 | ABB Drives profile |
| User specific drive parameters assembly up to 32 words | 103 | 174 | 20 | ABB Drives profile |
| Transparent 16 with one assembly | 11 | 61 | 4 | Transparent16 profile |
| Transparent 16 with two assembly | 12 | 62 | 6 | Transparent16 profile |
| Transparent 16 with one plus drive parameters | 111 | 161 | 24 | Transparent16 profile |
| Transparent 16 with two plus drive parameters | 112 | 162 | 26 | Transparent16 profile |
| Transparent 32 with one assembly | 21 | 71 | 8 | Transparent32 profile |
| Transparent 32 with two assembly | 22 | 72 | 12 | Transparent32 profile |



| Name | Output instance | Input instance | Size (bytes) | Profile |
|---|-----------------|----------------|--------------|-----------------------|
| Transparent 32 with one plus drive parameters | 121 | 171 | 28 | Transparent32 profile |
| Transparent 32 with two plus drive parameters | 122 | 172 | 32 | Transparent32 profile |

Select connection method

ControlNet provides a variety of connection methods to communicate between devices. Not all methods are supported by all devices. Refer to the client documentation to determine which method(s) are supported by the client.


Note: The choice of the connection method has a significant impact on the time-out behavior. Refer to configuration parameters [10 CONTROL TIMEOUT](#) and [11 IDLE ACTION](#) for more information.

The adapter module supports the following connection methods:

I/O connections

The adapter module supports Class 1 I/O connections. I/O connections are often also referred to as “Implicit Messaging”. I/O connections are typically established by configuring an I/O scanner to write and read assembly object instances.

Connected explicit messaging

 The adapter module supports Class 3 connected explicit messaging. Class 3 connected explicit messages are typically established by using a “message instruction” to write or read an attribute.

Note: When using Class 3 explicit messaging, some ControlNet clients may close the connection after the MSG instruction is done. This will cause the module to behave as if it were controlled via unconnected explicit messaging.

Unconnected explicit messaging

The adapter module supports unconnected explicit messaging. Unconnected explicit messages are typically established by using a “message instruction” to write or read an attribute.

Note: ControlNet does not provide a time-out means for unconnected explicit messaging. To use unconnected explicit messaging for control, refer to configuration parameter [10 CONTROL TIMEOUT](#).

■ EDS files

Electronic data sheet (EDS) files specify the properties of the device for the ControlNet client. The client identifies the device by means of the product code, device type and major revision attributes. For more information, see [Identity object, class 01h](#) on page [134](#).

To enable the use of different ABB drive types on the same ControlNet network, a unique product code has been given to each drive type and application combination.

EDS files are available from the Document library (www.abb.com/drives).

Note: Only one EDS file with the same ControlNet product code can be installed in the PLC at a time.

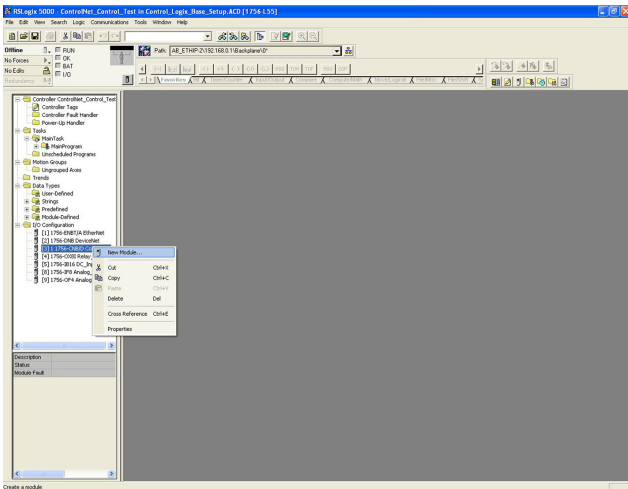


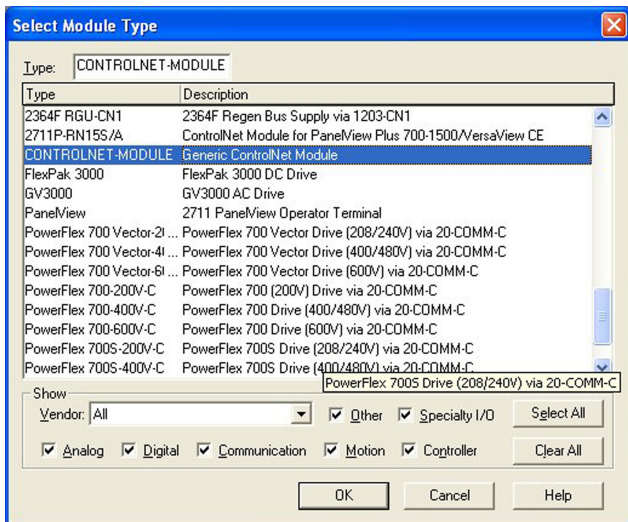
■ Standard ABB drive on ControlNet™ (FCNA-01) with RSLogix™ 5000 and RSNetWorx™

The following procedure shows how to set up a standard ABB drive with a FCNA-01 adapter module in RSLogix 5000 and RSNetWorx. The drive can be configured to a vendor-specific assembly (ABB Profile) or an ODVA-specific assembly (AC/DC Profile). The FCNA-01 and the PLC will transmit/receive up to thirteen words.

Configuring the FCNA-01

1. Open RSLogix 5000 and open or create a RSLogix 5000 program.
2. Right-click on **1756-CNB ControlNet** and select **New Module**.



3. Select **Generic ControlNet Module**.

4. Do the tasks listed in the table below to provide the New Module window with the information required by the 1756-CNB ControlNet scanner.

The example below is using the ABB Profile 102 and 152.

| | |
|---|--|
| 1 | Enter the name for the FCNA-01. |
| 2 | As the FCNA-01 uses 16 Bit words, change Comm Format to Data-INT . |
| 3 | Enter the node address of the FCNA-01. |
| 4 | Enter the input/output assembly instances. |
| 5 | See the next step on page 69 for the information on the size settings. |
| 6 | Set Configuration to 1 and size to 0. |



5. Select the input and output word sizes from the table below.

| Input assembly instances | Output assembly instances | PLC input word size | PLC output word size |
|--------------------------|---------------------------|---------------------|----------------------|
| 70 | 20 | 2 | 2 |
| 71 | 21 | 2 | 2 |
| 72 | 22 | 3 | 3 |
| 73 | 23 | 3 | 3 |
| 170 | 120 | 12 | 12 |
| 171 | 121 | 12 | 12 |
| 172 | 122 | 13 | 13 |
| 173 | 123 | 13 | 13 |
| 51 | 1 | 2 | 2 |
| 52 | 2 | 3 | 3 |
| 151 | 101 | 12 | 12 |
| 152 | 102 | 13 | 13 |
| 61 | 11 | 2 | 2 |
| 62 | 12 | 3 | 3 |
| 161 | 111 | 12 | 12 |
| 162 | 112 | 13 | 13 |

For more information on the input/output assembly instances, see chapter [Communication protocol](#).

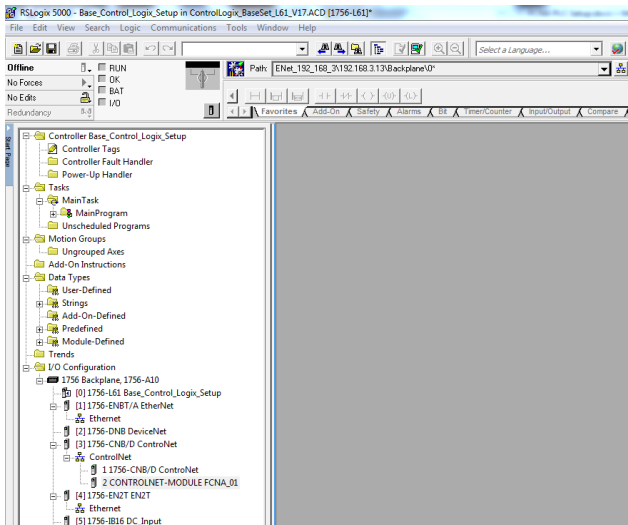
6. Click **OK**.

The FCNA-01 is now added to the 1756-CNB ControlNet scanner.



70 Start-up

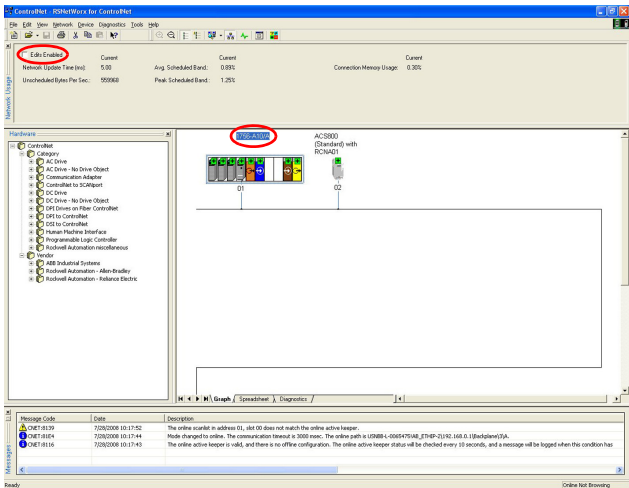
- Download the program to the PLC and make sure the PLC is in the program mode.



- Click **OK**.

- Open RSNetWorx for ControlNet.

10. Go online and scan the ControlNet network that needs to be configured.

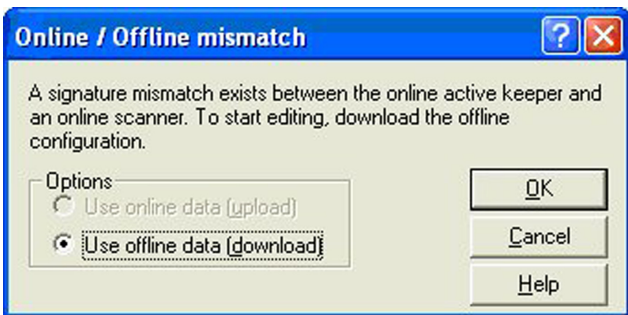


11. Click **1756-xxxx** and select **Edits Enabled**.
See the figure above.



72 Start-up

12. Click **OK**.



13. Click **Network** → **Properties**.

ControlNet - RSNetWorx for ControlNet

File Edit View Network Device Diagnostics Tools Help

Single Pass Browse

Network Manager

| Checked Band | Current | Pending Optimized Edits | Pending Merged Edits | Connection Memory Usage | Current | Pending |
|-----------------|---------|-------------------------|----------------------|-------------------------|---------|---------|
| Scheduled Band: | 0.25% | 0.80% | 0.88% | | 0.00% | 0.30% |
| Scheduled Band: | 1.06% | 1.23% | 1.23% | | | |

Network Manager

- Online
- Offline
- Cancel Edits
- Upload From Network
- Download to Network
- Download Minus to Network...
- Snapper Status...
- Scanner Signature Status...

Hardware

- ControlNet
- Category
 - AC Drive
 - AC Drive - No Drive Object
 - Communication Adapter
 - ControlNet to SCA/Port
 - DC Drive
 - DC Drive - No Drive Object
 - DPI Drives on Fiber ControlNet
 - DPI to ControlNet
 - IOS to ControlNet
 - Human Machine Interface
 - Programmable Logic Controller
 - Rockwell Automation - Allen Bradley
- Vendor
 - ABB Industrial Systems
 - Rockwell Automation - Allen Bradley
 - Rockwell Automation - Allen Electric

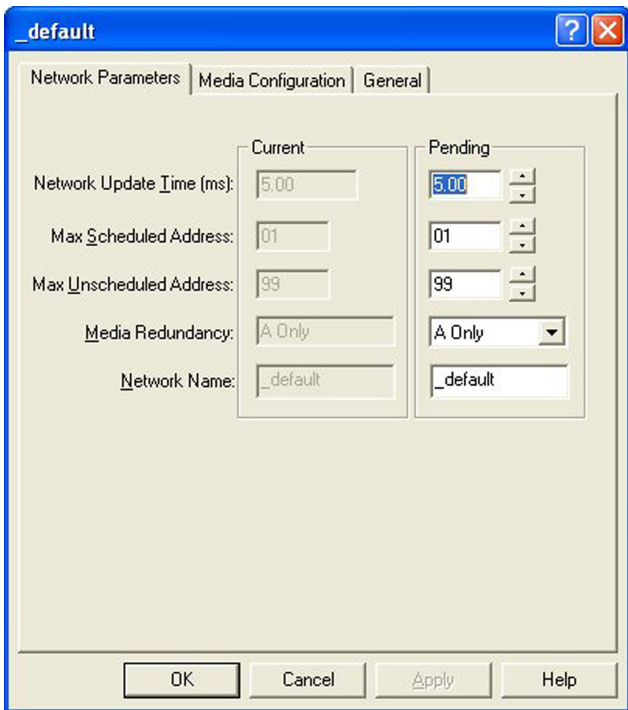
Graph / Spreadsheet / Diagnostics /

Message Code Date Description

- ONE18027 8/1/2009 9:38:04 Edits enabled.
- ONE18028 8/1/2009 9:38:05 Download completed.
- ONE18029 8/1/2009 9:38:03 The online scanner at address 01, slot 00 does not match the online active keeper.
- ONE18034 8/1/2009 9:38:14 Mode changed to online. The communication timeout is 3000 msec. The online path is 1098894-00664701AB_ETHIP-01902.168.0.1(Backplane)/A.
- ONE18036 8/1/2009 9:38:14 The online active keeper is valid, and there is no offline configuration. The online active keeper status will be checked every 10 seconds, and a message will be logged when the condition has

Display properties for the selected device(s) or network. Online Not Browning

14. Check that the Max Scheduled Address is equal to or greater than the last address node on the ControlNet network.
Click **OK**.



15. Click **File** → **Save As** and name the file.

RSNetWorx asks if the changes should be downloaded to the keeper.

The screenshot shows the RSNetWorx for ControlNet interface. The top menu bar includes File, Edit, View, Network, Device, Diagnostics, Tools, and Help. The main window displays a network diagram with two nodes, 01 and 02, connected to an ACS800 (Standard) with RCNAD1. A 'Save As' dialog box is open, showing a list of files to save. The message log at the bottom shows several messages, including 'Download completed' and 'The online scanner in address 01, slot 00 does not match the online active keeper'.

| Current | Pending | Avg. Scheduled Band: | Current | Pending | Pending | Pending | Connection Message Usage: | Current | Pending |
|---------|---------|----------------------|---------|---------|---------|---------|---------------------------|---------|---------|
| 00 | 5.00 | 0.26% | 0.00% | 0.00% | 0.00% | 0.00% | 0.00% | 0.00% | 0.00% |
| 73610 | 96713 | Peak Scheduled Band: | 1.06% | 1.23% | 1.23% | | | | |

16. Click **OK**.

The 'Save Configuration' dialog box is shown. It contains the text: 'Either of the following choices will save the updated schedule to the file and to the online network if you are online.' There are three radio buttons under 'Save Type': 'Optimize and re-write schedule for all connections' (selected), 'Merge changes into existing schedule', and 'Help'. The 'OK', 'Cancel', and 'Help' buttons are visible on the right side.

The FCNA-01 is now a scheduled connection in the ControlNet network.

7

Communication profiles

Contents of this chapter

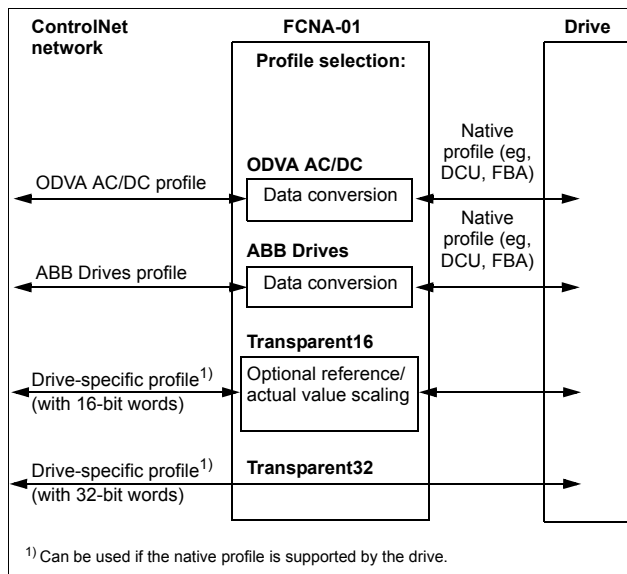
This chapter describes the communication profiles used in the communication between the ControlNet network, the adapter module and the drive.

Communication profiles

Communication profiles are ways of conveying control commands (Control word, Status word, references and actual values) between the master station and the drive.

With the FCNA-01 adapter module, the ControlNet network may employ either the ODVA AC/DC drive profile or the ABB Drives profile. Both are converted to the native profile (eg, DCU or FBA) by the adapter module. In addition, two Transparent modes – for 16-bit and 32-bit words respectively – are available. With the Transparent modes, no data conversion takes place.

The figure below illustrates the profile selection:



The following sections describe the Control word, the Status word, references and actual values for the ODVA AC/DC drive and ABB Drives communication profiles. Refer to the drive manuals for details on the native profiles.

ODVA AC/DC drive profile

This section briefly describes the ODVA AC/DC drive profile. Additional information is available at www.odva.org

A ControlNet node is modeled as a collection of abstract objects. Each object represents the interface to and behavior of a component within the product. The ODVA AC/DC drive profile defines a collection of objects suitable for the control of AC and DC drives. The objects supported by the adapter module are listed in section [Class objects](#) on page [133](#).

Objects are defined by:

- Service
- Class
- Instance
- Attribute
- Behavior.

For example, to set the drive speed reference, the `Set_Attribute_Single` service can be requested for the `SpeedRef` attribute of the AC/DC drive object class. The resulting behavior is that the reference speed of the drive is set to the requested value.

This is an example of explicit messaging, where each attribute of a class is set individually. While this is allowed, it is inefficient. Instead, implicit messaging using input and output assembly instances is recommended. Implicit messaging allows the ControlNet client to set or get predefined groups of attributes in a single message exchange. The assembly instances supported by the adapter module are listed and defined in section [Assembly objects](#) on page [98](#).

■ ODVA output attributes

This section briefly describes the instances found in the output assemblies of the ODVA AC/DC drive profile. Note that all output assembly instances do not support all attributes listed here.

Run Forward & Run Reverse (Control supervisor object)

These attributes are used to assert run and stop commands to the Control supervisor object state machine according to the following Run/Stop event matrix. See [State \(Control supervisor object\)](#) on page 83.

| RunFwd | RunRev | Trigger event | Run type |
|--------|--------|---------------|----------|
| 0 | 0 | Stop | N/A |
| 0 → 1 | 0 | Run | RunFwd |
| 0 | 0 → 1 | Run | RunRev |
| 0 → 1 | 0 → 1 | No Action | N/A |
| 1 | 1 | No Action | N/A |
| 0 → 1 | 1 | Run | RunRev |
| 1 | 1 → 0 | Run | RunFwd |

Fault Reset (Control supervisor object)

This attribute resets a drive fault on a transition from zero to one if the condition that caused the fault has been cleared.

Net Ctrl (Control supervisor object)

This attribute requests that the drive Run/Stop command be supplied locally (Net Ctrl = 0) or by the network (Net Ctrl = 1).

Net Ref (AC/DC drive object)

This attribute requests that the drive speed and torque references be supplied locally (Net Ref = 0) or by the network (Net Ref = 1).

Speed Reference (AC/DC drive object)

This attribute is the speed reference for the drive. The units are scaled by the Speed Scale attribute of the AC/DC drive object. See parameter [07 ODVA SPEED SCALE](#) for details.

Scalar mode

When the drive is operating in the scalar mode, the adapter module provides the drive with a frequency reference. The ODVA AC/DC drive profile uses rpm units for the speed reference. The drive frequency reference is calculated as follows:

$$Dfr = \frac{Osr \times Us \times Mf}{Mss}$$

where

Dfr = Drive Frequency Reference in Hz

Osr = ODVA Speed Reference

Us = ODVA Speed Unit (see [07 ODVA SPEED SCALE](#) on page 35)

Mf = Motor Nominal Frequency in Hz

Mss = Motor Synchronous Speed in rpm (not Motor Nominal Speed).

For example, for a 4 pole 60 Hz motor (Mss = 1800 rpm) with a unit 1 rpm and an ODVA Speed Reference of 900, the drive frequency reference is:

$$Dfr = \frac{Osr \times Us \times Mf}{Mss} = \frac{900 \times 1 \text{ rpm} \times 60 \text{ Hz}}{1800 \text{ rpm}} = 30 \text{ Hz}$$

Vector mode

When the drive is operating in the vector mode, the adapter module provides the drive with a speed reference. The ODVA AC/DC drive profile uses rpm units for the speed reference. The drive speed reference is calculated as follows:

$$Dsr = Osr \times Us$$

where

Dsr = Drive Speed Reference in rpm

Osr = ODVA Speed Reference

Us = ODVA Speed Unit (see [07 ODVA SPEED SCALE](#) on page 35).

For example, for an ODVA Speed Reference of 900 rpm with a unit of 0.5 rpm, the drive speed reference is:

$$Dsr = Osr \times Us = 900 \times 0.5 \text{rpm} = 450 \text{rpm}$$

Torque Reference (AC/DC drive object)

This attribute is the torque reference for the drive. The units are scaled by the Torque Scale attribute of the AC/DC drive object. See parameter [08 ODVA TORQUE SCALE](#) for details.

The adapter module provides the drive with a torque reference in percent of the motor nominal torque. The ODVA AC/DC drive profile uses Newton-meter (N·m) units for the torque reference. The drive torque reference is calculated as follows:

$$D_{tr} = \frac{100 \times O_{tr} \times U_t}{M_t}$$

where

D_{tr} = Drive Torque Reference in Percent of Motor Nominal Torque

O_{tr} = ODVA Torque Reference

U_t = ODVA Torque Unit (see [08 ODVA TORQUE SCALE](#) on page 36)

M_t = Motor Nominal Torque in N·m.

For example, for a 1000 N·m Motor Nominal Torque with a unit of 1 N·m and an ODVA Torque Reference of 500, the drive torque reference is:

$$D_{tr} = \frac{100 \times O_{tr} \times U_t}{M_t} = \frac{100 \times 500 \times 1 \text{ Nm}}{1000 \text{ Nm}} = 50$$

Energy objects

The FCNA-01 supports the following energy objects:

- Base energy object
- Electrical energy object
- Non-electrical energy object.

The Electrical energy object can be measured and reported as produced and consumed energy types, in real energy generated and consumed in kilowatt hours, average current, phase to phase voltages, and phase rotation. The Non-electrical energy object can be measured and reported as net energy, in specified types and specified units, using a normalization multiplier or divisor.

■ ODVA input attributes

This section briefly describes the instances found in the ODVA AC/DC drive profile's input assemblies. Note that all input assembly instances do not support all attributes listed here.

Faulted (Control supervisor object)

This attribute indicates that the drive has experienced a fault. The fault code may be read from the FaultCode attribute of the Control supervisor object.

Warning (Control supervisor object)

This attribute indicates that the drive is experiencing a warning condition. The warning code may be read from the WarnCode attribute of the Control supervisor object.

Running Forward (Control supervisor object)

This attribute indicates that the drive is running in the forward direction.

Running Reverse (Control supervisor object)

This attribute indicates that the drive is running in the reverse direction.

Ready (Control supervisor object)

This attribute indicates that the Control supervisor object state machine is in the Ready, Running or Stopping state. See [State \(Control supervisor object\)](#) on page 83.

Ctrl From Net (Control supervisor object)

This attribute indicates if the Run/Stop command is being supplied locally (Ctrl From Net = 0) or by the network (Ctrl From Net = 1).

Ref From Net (AC/DC drive object)

This attribute indicates if the speed and torque references are being supplied locally (Ref From Net = 0) or by the network (Ref From Net = 1).

At Reference (AC/DC drive object)

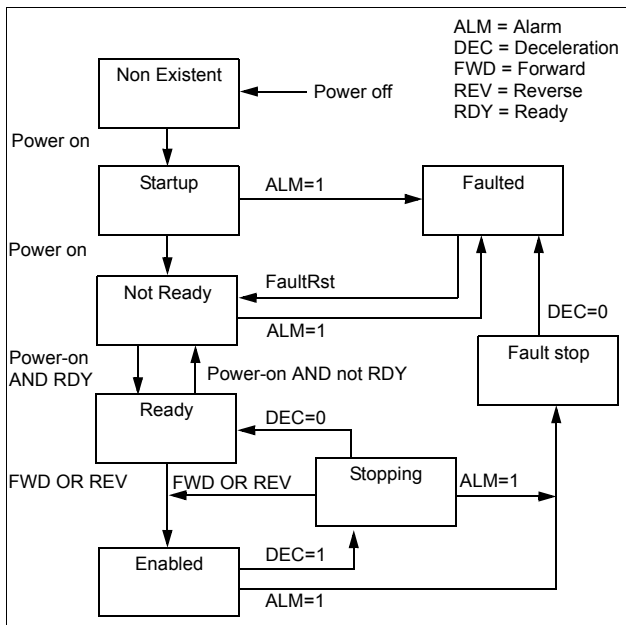
This attribute indicates that the drive is operating at the specified speed or torque reference.

State (Control supervisor object)

This attribute indicates the current state of the Control supervisor object.

| State | Description | State | Description |
|--------------|--------------------|--------------|--------------------|
| 0 | Vendor Specific | 4 | Enabled |
| 1 | Startup | 5 | Stopping |
| 2 | Not Ready | 6 | Fault Stop |
| 3 | Ready | 7 | Faulted |

The ODVA state transition diagram is shown below:



Speed Actual (AC/DC drive object)

This attribute indicates the actual speed at which the drive is operating. The units are scaled by the SpeedScale attribute of the AC/DC drive object. See parameter [07 ODVA SPEED SCALE](#) for details.

Scalar mode

When the drive is operating in the scalar mode, the drive provides the adapter module with a frequency actual. The ODVA AC/DC drive profile uses rpm units for the speed actual. The ODVA Speed Actual is calculated as follows:

$$O_{sa} = \frac{D_{fa} \times M_{ss}}{M_f \times U_s}$$

where

O_{sa} = ODVA Speed Actual

D_{fa} = Drive Frequency Actual in Hz

U_s = ODVA Speed Unit (see [07 ODVA SPEED SCALE](#) on page 35)

M_f = Motor Nominal Frequency in Hz

M_{ss} = Motor Synchronous Speed in rpm (not Motor Nominal Speed).

For example, for a 4 pole 60 Hz motor ($M_{ss} = 1800$ rpm) with a unit of 1 rpm and a Drive Frequency Actual of 30 Hz, the ODVA Speed Actual is:

$$O_{sa} = \frac{D_{fa} \times M_{ss}}{M_f \times U_s} = \frac{30\text{Hz} \times 1800\text{rpm}}{60\text{Hz} \times 1\text{rpm}} = 900$$

Vector mode

When the drive is operating in the vector mode, the drive provides the adapter module with a speed actual. The ODVA AC/DC drive profile uses rpm units for the speed actual. The ODVA Speed Actual is calculated as follows:

$$Osa = \frac{Dsa}{Us}$$

where

Dsa = Drive Speed Actual in rpm

Osa = ODVA Speed Actual

Us = ODVA Speed Unit (see [07 ODVA SPEED SCALE](#) on page 35).

For example, for a Drive Speed Actual of 900 rpm with a unit of 0.5 rpm, the ODVA Speed Actual is:

$$Osa = \frac{Dsa}{Us} = \frac{450 \text{ rpm}}{0.5 \text{ rpm}} = 900$$

Torque Actual (AC/DC drive object)

This attribute indicates the actual torque at which the drive is operating. The units are scaled by the Torque Scale attribute of the AC/DC drive object. See parameter [08 ODVA TORQUE SCALE](#) for details.

The drive provides the adapter module with a torque actual in percent of the Motor Nominal Torque. The ODVA AC/DC drive profile uses Newton-meter (N·m) units for the torque actual. The ODVA Torque Actual is calculated as follows:

$$O_{ta} = \frac{D_{ta} \times M_t}{100 \times U_t}$$

where

D_{ta} = Drive Torque Actual in Percent of Motor Nominal Torque

O_{ta} = ODVA Torque Actual

U_t = ODVA Torque Unit (see [08 ODVA TORQUE SCALE](#) on page 36)

M_t = Motor Nominal Torque in N·m.

For example, for a 1000 N·m Motor Nominal Torque with a unit of 1 N·m and a drive torque actual of 50%, the ODVA Torque Actual is:

$$O_{ta} = \frac{D_{ta} \times M_t}{100 \times U_t} = \frac{50 \times 1000 \text{ Nm}}{100 \times 1 \text{ Nm}} = 500$$

ABB Drives communication profile

■ Control word and Status word

The Control word is the principal means for controlling the drive from a fieldbus system. It is sent by the fieldbus client station to the drive through the adapter module. The drive switches between its states according to the bit-coded instructions in the Control word and returns status information to the client in the Status word.

The contents of the Control word and the Status word are detailed below. The drive states are presented on page [93](#).

Control word contents

The table below shows the contents of the Control word for the ABB Drives communication profile. The upper case boldface text refers to the states shown in the state machine on page [93](#).

| Bit | Name | Value | STATE/Description |
|-----|------------------|-------|--|
| 0 | OFF1_ CONTROL | 1 | Proceed to READY TO OPERATE . |
| | | 0 | Stop along currently active deceleration ramp. Proceed to OFF1 ACTIVE ; proceed to READY TO SWITCH ON unless other interlocks (OFF2, OFF3) are active. |
| 1 | OFF2_ CONTROL | 1 | Continue operation (OFF2 inactive). |
| | | 0 | Emergency OFF, coast to stop. Proceed to OFF2 ACTIVE , proceed to SWITCH-ON INHIBITED . |
| 2 | OFF3_ CONTROL | 1 | Continue operation (OFF3 inactive). |
| | | 0 | Emergency stop, stop within time defined by drive parameter. Proceed to OFF3 ACTIVE ; proceed to SWITCH-ON INHIBITED . Warning: Ensure motor and driven machine can be stopped using this stop mode. |

| Bit | Name | Value | STATE/Description |
|-------|-------------------|-------|---|
| 3 | INHIBIT_OPERATION | 1 | Proceed to OPERATION ENABLED . Note: Run enable signal must be active; see drive documentation. If the drive is set to receive the Run enable signal from the fieldbus, this bit activates the signal. |
| | | 0 | Inhibit operation. Proceed to OPERATION INHIBITED . |
| 4 | RAMP_OUT_ZERO | 1 | Normal operation. Proceed to RAMP FUNCTION GENERATOR: OUTPUT ENABLED . |
| | | 0 | Force Ramp Function Generator output to zero. Drive ramps to stop (current and DC voltage limits in force). |
| 5 | RAMP_HOLD | 1 | Enable ramp function. Proceed to RAMP FUNCTION GENERATOR: ACCELERATOR ENABLED . |
| | | 0 | Halt ramping (Ramp Function Generator output held). |
| 6 | RAMP_IN_ZERO | 1 | Normal operation. Proceed to OPERATION . Note: This bit is effective only if the fieldbus interface is set as the source for this signal by drive parameters. |
| | | 0 | Force Ramp Function Generator input to zero. |
| 7 | RESET | 0 → 1 | Fault reset if an active fault exists. Proceed to SWITCH-ON INHIBITED . Note: This bit is effective only if the fieldbus interface is set as the source for this signal by drive parameters. |
| | | 0 | Continue normal operation. |
| 8...9 | Reserved | | |

| Bit | Name | Value | STATE/Description |
|-------------|------------------|-------|--|
| 10 | REMOTE_ CMD | 1 | Fieldbus control enabled. |
| | | 0 | Control word and reference not getting through to the drive, except for CW bits OFF1, OFF2 and OFF3. |
| 11 | EXT_CTRL_ LOC | 1 | Select External Control Location EXT2. Effective if control location parameterized to be selected from fieldbus. |
| | | 0 | Select External Control Location EXT1. Effective if control location parameterized to be selected from fieldbus. |
| 12... 15 | Reserved | | |

Status word contents

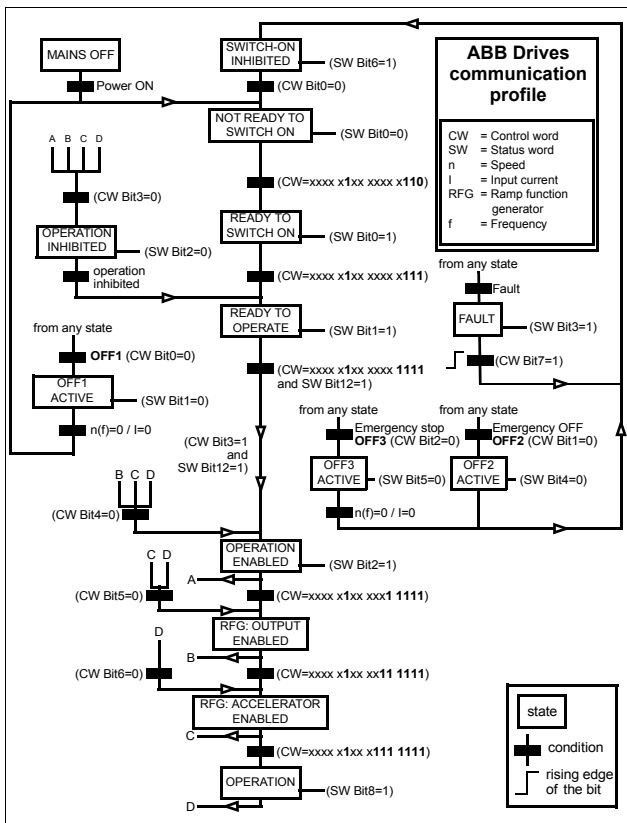
The table below shows the contents of the Status word for the ABB Drives communication profile. The upper case boldface text refers to the states shown in the state machine on page 93.

| Bit | Name | Value | STATE/Description |
|-----|--------------|-------|---|
| 0 | RDY_ON | 1 | READY TO SWITCH ON |
| | | 0 | NOT READY TO SWITCH ON |
| 1 | RDY_RUN | 1 | READY TO OPERATE |
| | | 0 | OFF1 ACTIVE |
| 2 | RDY_REF | 1 | OPERATION ENABLED |
| | | 0 | OPERATION INHIBITED |
| 3 | TRIPPED | 1 | FAULT |
| | | 0 | No fault |
| 4 | OFF_2_STA | 1 | OFF2 inactive |
| | | 0 | OFF2 ACTIVE |
| 5 | OFF_3_STA | 1 | OFF3 inactive |
| | | 0 | OFF3 ACTIVE |
| 6 | SWC_ON_INHIB | 1 | SWITCH-ON INHIBITED |
| | | 0 | – |
| 7 | ALARM | 1 | Warning/Alarm |
| | | 0 | No warning/alarm |
| 8 | AT_SETPOINT | 1 | OPERATION. Actual value equals reference (= is within tolerance limits, ie, in speed control, speed error is 10% max. of nominal motor speed). |
| | | 0 | Actual value differs from reference (= is outside tolerance limits). |
| 9 | REMOTE | 1 | Drive control location: REMOTE (EXT1 or EXT2) |
| | | 0 | Drive control location: LOCAL |

| Bit | Name | Value | STATE/Description |
|-------------|--------------------|-------|--|
| 10 | ABOVE_ LIMIT | 1 | Actual frequency or speed equals or exceeds supervision limit (set by drive parameter). Valid in both directions of rotation. |
| | | 0 | Actual frequency or speed within supervision limit |
| 11 | EXT_CTRL_ LOC | 1 | External Control Location EXT2 selected. Note concerning ACS880: This bit is effective only if the fieldbus interface is set as the target for this signal by drive parameters. User bit 0 selection (06.33). |
| | | 0 | External Control Location EXT1 selected |
| 12 | EXT_RUN_ ENABLE | 1 | External Run Enable signal received. Note concerning ACS880: This bit is effective only if the fieldbus interface is set as the target for this signal by drive parameters. User bit 1 selection (06.34). |
| | | 0 | No External Run Enable signal received |
| 13... 14 | Reserved | | |
| 15 | FBA_ERROR | 1 | Communication error detected by fieldbus adapter module |
| | | 0 | Fieldbus adapter communication OK |

State machine

The state machine for the ABB Drives communication profile is shown below.



References

References are 16-bit words containing a sign bit and a 15-bit integer. A negative reference (indicating reversed direction of rotation) is formed by calculating the two's complement from the corresponding positive reference.

ABB drives can receive control information from multiple sources including analog and digital inputs, the drive control panel and a communication module (for example, the FCNA-01). In order to have the drive controlled through the fieldbus, the module must be defined as the source for control information, for example, reference.

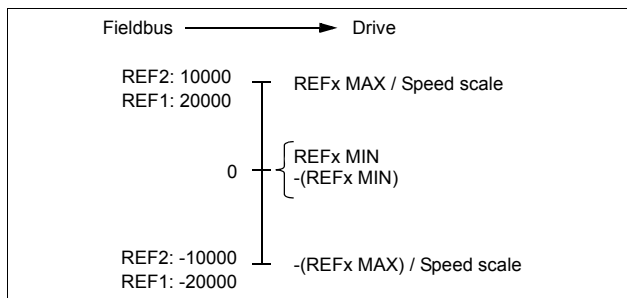
Scaling

References are scaled as shown below.

Note: The values of REF1 MAX and REF2 MAX are set with drive parameters. See the drive manuals for further information.

In ACSM1, ACS850 and ACS880, the speed reference (REFx) in decimal (0...20000) corresponds to 0...100% of the speed scaling value (as defined with a drive parameter, eg, ACS880 parameter 46.10 Speed scaling.)

In ACS355, drive parameter REFx MIN may limit the actual minimum reference.



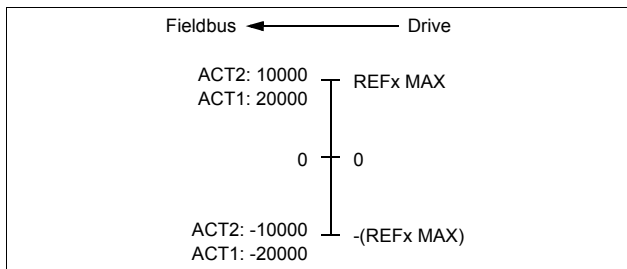
Actual values

Actual values are 16-bit words containing information on the operation of the drive. The functions to be monitored are selected with a drive parameter.

Scaling

Actual values are scaled as shown below.

Note: The values of REF1 MAX and REF2 MAX are set with drive parameters. See the drive manuals for further information.



8

Communication protocol

Contents of this chapter

This chapter describes the ControlNet communication protocol for the adapter module.

ControlNet

The interface from the fieldbus towards the FCNA-01 is based on the standard ControlNet objects and vendor-specific objects.

The FCNA-01 has the following objects included:

| Object name | Class |
|------------------------|-------|
| Identity | 0x01 |
| Message router | 0x02 |
| Assembly | 0x04 |
| Connection manager | 0x06 |
| Motor data | 0x28 |
| Control supervisor | 0x29 |
| AC/DC drive | 0x2A |
| Drive parameter | 0x90 |
| Fieldbus configuration | 0x91 |
| ControlNet | 0xF0 |

| Object name | Class |
|--------------------------|-------|
| Keeper | 0xF1 |
| Connection configuration | 0xF3 |
| Port | 0xF4 |
| Base energy | 4E |
| Electrical energy | 4F |
| Non-electrical energy | 50 |

Assembly objects

I/O assembly instances may also be referred to as Block transfer of data. Intelligent devices realizing a Functional profile, such as FCNA-01, have several objects. Since it is not possible to transmit more than one object data through a single connection, it is practical and more efficient to group attributes from different objects into a single I/O connection using the assembly object. The assembly object acts as a tool for grouping these attributes.

The assembly selections described above are, in fact, instances of the assembly object class. The adapter module uses static assemblies (in other words, fixed groupings of different object data only).

The following tables describe the assembly instances supported by the adapter module.

Basic speed control assembly

The Basic speed control assembly is defined by the ODVA AC/DC drive profile. The format of the output assembly is:

| Instance 20 (ODVA AC/DC profile) | | | | | | | | |
|----------------------------------|-----------------------------|-------|-------|-------|-------|-------------|-------|---------|
| Byte | Bit 7 | Bit 6 | Bit 5 | Bit 4 | Bit 3 | Bit 2 | Bit 1 | Bit 0 |
| 0 | | | | | | Fault Reset | | Run Fwd |
| 1 | | | | | | | | |
| 2 | Speed Reference (Low Byte) | | | | | | | |
| 3 | Speed Reference (High Byte) | | | | | | | |

The format of the input assembly is:

| Instance 70 (ODVA AC/DC profile) | | | | | | | | |
|----------------------------------|--------------------------|-------|-------|-------|-------|-------------------|-------|---------|
| Byte | Bit 7 | Bit 6 | Bit 5 | Bit 4 | Bit 3 | Bit 2 | Bit 1 | Bit 0 |
| 0 | | | | | | Running1 (Fwd) | | Faulted |
| 1 | | | | | | | | |
| 2 | Speed Actual (Low Byte) | | | | | | | |
| 3 | Speed Actual (High Byte) | | | | | | | |

■ Basic speed control plus drive parameters assembly

The Basic speed control plus drive parameters assembly, defined by ABB, adds configurable drive parameters to the Basic speed control assembly of the ODVA AC/DC drive profile.

The format of the output assembly is:

| Instance 120 (ODVA AC/DC profile) | | | | | | | | |
|-----------------------------------|------------------------------|-------|-------|-------|-------|----------------|-------|------------|
| Byte | Bit 7 | Bit 6 | Bit 5 | Bit 4 | Bit 3 | Bit 2 | Bit 1 | Bit 0 |
| 0 | | | | | | Fault Reset | | Run Fwd |
| 1 | | | | | | | | |
| 2 | Speed Reference (Low Byte) | | | | | | | |
| 3 | Speed Reference (High Byte) | | | | | | | |
| 4 | DATA OUT 1 Value (Low Byte) | | | | | | | |
| 5 | DATA OUT 1 Value (High Byte) | | | | | | | |
| 6 | DATA OUT 2 Value (Low Byte) | | | | | | | |
| 7 | DATA OUT 2 Value (High Byte) | | | | | | | |
| 8 | DATA OUT 3 Value (Low Byte) | | | | | | | |
| 9 | DATA OUT 3 Value (High Byte) | | | | | | | |
| 10 | DATA OUT 4 Value (Low Byte) | | | | | | | |
| 11 | DATA OUT 4 Value (High Byte) | | | | | | | |
| 12 | DATA OUT 5 Value (Low Byte) | | | | | | | |

| Instance 120 (ODVA AC/DC profile) | | | | | | | | |
|--|-------------------------------|--------------|--------------|--------------|--------------|--------------|--------------|--------------|
| Byte | Bit 7 | Bit 6 | Bit 5 | Bit 4 | Bit 3 | Bit 2 | Bit 1 | Bit 0 |
| 13 | DATA OUT 5 Value (High Byte) | | | | | | | |
| 14 | DATA OUT 6 Value (Low Byte) | | | | | | | |
| 15 | DATA OUT 6 Value (High Byte) | | | | | | | |
| 16 | DATA OUT 7 Value (Low Byte) | | | | | | | |
| 17 | DATA OUT 7 Value (High Byte) | | | | | | | |
| 18 | DATA OUT 8 Value (Low Byte) | | | | | | | |
| 19 | DATA OUT 8 Value (High Byte) | | | | | | | |
| 20 | DATA OUT 9 Value (Low Byte) | | | | | | | |
| 21 | DATA OUT 9 Value (High Byte) | | | | | | | |
| 22 | DATA OUT 10 Value (Low Byte) | | | | | | | |
| 23 | DATA OUT 10 Value (High Byte) | | | | | | | |

The format of the input assembly is:

| Instance 170 (ODVA AC/DC profile) | | | | | | | | |
|--|-----------------------------|--------------|--------------|--------------|--------------|-------------------|--------------|--------------|
| Byte | Bit 7 | Bit 6 | Bit 5 | Bit 4 | Bit 3 | Bit 2 | Bit 1 | Bit 0 |
| 0 | | | | | | Running1 (Fwd) | | Faulted |
| 1 | | | | | | | | |
| 2 | Speed Actual (Low Byte) | | | | | | | |
| 3 | Speed Actual (High Byte) | | | | | | | |
| 4 | DATA IN 1 Value (Low Byte) | | | | | | | |
| 5 | DATA IN 1 Value (High Byte) | | | | | | | |
| 6 | DATA IN 2 Value (Low Byte) | | | | | | | |
| 7 | DATA IN 2 Value (High Byte) | | | | | | | |
| 8 | DATA IN 3 Value (Low Byte) | | | | | | | |
| 9 | DATA IN 3 Value (High Byte) | | | | | | | |
| 10 | DATA IN 4 Value (Low Byte) | | | | | | | |
| 11 | DATA IN 4 Value (High Byte) | | | | | | | |

| Instance 170 (ODVA AC/DC profile) | | | | | | | | |
|-----------------------------------|------------------------------|-------|-------|-------|-------|-------|-------|-------|
| Byte | Bit 7 | Bit 6 | Bit 5 | Bit 4 | Bit 3 | Bit 2 | Bit 1 | Bit 0 |
| 12 | DATA IN 5 Value (Low Byte) | | | | | | | |
| 13 | DATA IN 5 Value (High Byte) | | | | | | | |
| 14 | DATA IN 6 Value (Low Byte) | | | | | | | |
| 15 | DATA IN 6 Value (High Byte) | | | | | | | |
| 16 | DATA IN 7 Value (Low Byte) | | | | | | | |
| 17 | DATA IN 7 Value (High Byte) | | | | | | | |
| 18 | DATA IN 8 Value (Low Byte) | | | | | | | |
| 19 | DATA IN 8 Value (High Byte) | | | | | | | |
| 20 | DATA IN 9 Value (Low Byte) | | | | | | | |
| 21 | DATA IN 9 Value (High Byte) | | | | | | | |
| 22 | DATA IN 10 Value (Low Byte) | | | | | | | |
| 23 | DATA IN 10 Value (High Byte) | | | | | | | |

Extended speed control assembly

The Extended speed control assembly is defined by the ODVA AC/DC drive profile. The format of the output assembly is:

| Instance 21 (ODVA AC/DC profile) | | | | | | | | |
|----------------------------------|-----------------------------|--------|---------|-------|-------|-------------|---------|---------|
| Byte | Bit 7 | Bit 6 | Bit 5 | Bit 4 | Bit 3 | Bit 2 | Bit 1 | Bit 0 |
| 0 | | NetRef | NetCtrl | | | Fault Reset | Run Rev | Run Fwd |
| 1 | | | | | | | | |
| 2 | Speed Reference (Low Byte) | | | | | | | |
| 3 | Speed Reference (High Byte) | | | | | | | |

The format of the input assembly is:

| Instance 71 (ODVA AC/DC profile) | | | | | | | | |
|----------------------------------|---|--------------|---------------|-------|----------------|----------------|---------|---------|
| Byte | Bit 7 | Bit 6 | Bit 5 | Bit 4 | Bit 3 | Bit 2 | Bit 1 | Bit 0 |
| 0 | At Reference | Ref From Net | Ctrl From Net | Ready | Running2 (Rev) | Running1 (Fwd) | Warning | Faulted |
| 1 | Drive State (See section State (Control supervisor object) on page 83.) | | | | | | | |
| 2 | Speed Actual (Low Byte) | | | | | | | |
| 3 | Speed Actual (High Byte) | | | | | | | |

Extended speed control plus drive parameters assembly

The Extended speed control plus drive parameters assembly, defined by ABB, adds configurable drive parameters to the Extended speed control assembly of the ODVA AC/DC drive profile.

The format of the output assembly is:

| Instance 121 (ODVA AC/DC profile) | | | | | | | | |
|-----------------------------------|------------------------------|--------|---------|-------|-------|-------------|---------|---------|
| Byte | Bit 7 | Bit 6 | Bit 5 | Bit 4 | Bit 3 | Bit 2 | Bit 1 | Bit 0 |
| 0 | | NetRef | NetCtrl | | | Fault Reset | Run Rev | Run Fwd |
| 1 | | | | | | | | |
| 2 | Speed Reference (Low Byte) | | | | | | | |
| 3 | Speed Reference (High Byte) | | | | | | | |
| 4 | DATA OUT 1 Value (Low Byte) | | | | | | | |
| 5 | DATA OUT 1 Value (High Byte) | | | | | | | |
| 6 | DATA OUT 2 Value (Low Byte) | | | | | | | |
| 7 | DATA OUT 2 Value (High Byte) | | | | | | | |
| 8 | DATA OUT 3 Value (Low Byte) | | | | | | | |
| 9 | DATA OUT 3 Value (High Byte) | | | | | | | |
| 10 | DATA OUT 4 Value (Low Byte) | | | | | | | |

| Instance 121 (ODVA AC/DC profile) | | | | | | | | |
|-----------------------------------|-------------------------------|-------|-------|-------|-------|-------|-------|-------|
| Byte | Bit 7 | Bit 6 | Bit 5 | Bit 4 | Bit 3 | Bit 2 | Bit 1 | Bit 0 |
| 11 | DATA OUT 4 Value (High Byte) | | | | | | | |
| 12 | DATA OUT 5 Value (Low Byte) | | | | | | | |
| 13 | DATA OUT 5 Value (High Byte) | | | | | | | |
| 14 | DATA OUT 6 Value (Low Byte) | | | | | | | |
| 15 | DATA OUT 6 Value (High Byte) | | | | | | | |
| 16 | DATA OUT 7 Value (Low Byte) | | | | | | | |
| 17 | DATA OUT 7 Value (High Byte) | | | | | | | |
| 18 | DATA OUT 8 Value (Low Byte) | | | | | | | |
| 19 | DATA OUT 8 Value (High Byte) | | | | | | | |
| 20 | DATA OUT 9 Value (Low Byte) | | | | | | | |
| 21 | DATA OUT 9 Value (High Byte) | | | | | | | |
| 22 | DATA OUT 10 Value (Low Byte) | | | | | | | |
| 23 | DATA OUT 10 Value (High Byte) | | | | | | | |

The format of the input assembly is:

| Instance 171 (ODVA AC/DC profile) | | | | | | | | |
|-----------------------------------|---|--------------|---------------|-------|-----------------|-----------------|-----------|---------|
| Byte | Bit 7 | Bit 6 | Bit 5 | Bit 4 | Bit 3 | Bit 2 | Bit 1 | Bit 0 |
| 0 | At Reference | Ref From Net | Ctrl From Net | Ready | Run-ning2 (Rev) | Run-ning1 (Fwd) | Warn-ning | Faulted |
| 1 | Drive State (See section State (Control supervisor object) on page 83.) | | | | | | | |
| 2 | Speed Actual (Low Byte) | | | | | | | |
| 3 | Speed Actual (High Byte) | | | | | | | |
| 4 | DATA IN 1 Value (Low Byte) | | | | | | | |
| 5 | DATA IN 1 Value (High Byte) | | | | | | | |
| 6 | DATA IN 2 Value (Low Byte) | | | | | | | |
| 7 | DATA IN 2 Value (High Byte) | | | | | | | |
| 8 | DATA IN 3 Value (Low Byte) | | | | | | | |

| Instance 171 (ODVA AC/DC profile) | | | | | | | | |
|--|------------------------------|--------------|--------------|--------------|--------------|--------------|--------------|--------------|
| Byte | Bit 7 | Bit 6 | Bit 5 | Bit 4 | Bit 3 | Bit 2 | Bit 1 | Bit 0 |
| 9 | DATA IN 3 Value (High Byte) | | | | | | | |
| 10 | DATA IN 4 Value (Low Byte) | | | | | | | |
| 11 | DATA IN 4 Value (High Byte) | | | | | | | |
| 12 | DATA IN 5 Value (Low Byte) | | | | | | | |
| 13 | DATA IN 5 Value (High Byte) | | | | | | | |
| 14 | DATA IN 6 Value (Low Byte) | | | | | | | |
| 15 | DATA IN 6 Value (High Byte) | | | | | | | |
| 16 | DATA IN 7 Value (Low Byte) | | | | | | | |
| 17 | DATA IN 7 Value (High Byte) | | | | | | | |
| 18 | DATA IN 8 Value (Low Byte) | | | | | | | |
| 19 | DATA IN 8 Value (High Byte) | | | | | | | |
| 20 | DATA IN 9 Value (Low Byte) | | | | | | | |
| 21 | DATA IN 9 Value (High Byte) | | | | | | | |
| 22 | DATA IN 10 Value (Low Byte) | | | | | | | |
| 23 | DATA IN 10 Value (High Byte) | | | | | | | |

Basic speed and torque control assembly

The Basic speed and torque control assembly is defined by the ODVA AC/DC drive profile. The format of the output assembly is:

| Instance 22 (ODVA AC/DC profile) | | | | | | | | |
|----------------------------------|------------------------------|-------|-------|-------|-------|----------------|-------|------------|
| Byte | Bit 7 | Bit 6 | Bit 5 | Bit 4 | Bit 3 | Bit 2 | Bit 1 | Bit 0 |
| 0 | | | | | | Fault Reset | | Run Fwd |
| 1 | | | | | | | | |
| 2 | Speed Reference (Low Byte) | | | | | | | |
| 3 | Speed Reference (High Byte) | | | | | | | |
| 4 | Torque Reference (Low Byte) | | | | | | | |
| 5 | Torque Reference (High Byte) | | | | | | | |

The format of the input assembly is:

| Instance 72 (ODVA AC/DC profile) | | | | | | | | |
|----------------------------------|---------------------------|-------|-------|-------|-------|--------------------|-------|---------|
| Byte | Bit 7 | Bit 6 | Bit 5 | Bit 4 | Bit 3 | Bit 2 | Bit 1 | Bit 0 |
| 0 | | | | | | Running 1 (Fwd) | | Faulted |
| 1 | | | | | | | | |
| 2 | Speed Actual (Low Byte) | | | | | | | |
| 3 | Speed Actual (High Byte) | | | | | | | |
| 4 | Torque Actual (Low Byte) | | | | | | | |
| 5 | Torque Actual (High Byte) | | | | | | | |

■ Basic speed and torque control plus drive parameters assembly

The Basic speed and torque control plus drive parameters assembly, defined by ABB, adds configurable drive parameters to the Basic speed and torque control assembly of the ODVA AC/DC drive profile.

The format of the output assembly is:

| Instance 122 (ODVA AC/DC profile) | | | | | | | | |
|-----------------------------------|------------------------------|-------|-------|-------|-------|-------------|-------|---------|
| Byte | Bit 7 | Bit 6 | Bit 5 | Bit 4 | Bit 3 | Bit 2 | Bit 1 | Bit 0 |
| 0 | | | | | | Fault Reset | | Run Fwd |
| 1 | | | | | | | | |
| 2 | Speed Reference (Low Byte) | | | | | | | |
| 3 | Speed Reference (High Byte) | | | | | | | |
| 4 | Torque Reference (Low Byte) | | | | | | | |
| 5 | Torque Reference (High Byte) | | | | | | | |
| 6 | DATA OUT 1 Value (Low Byte) | | | | | | | |
| 7 | DATA OUT 1 Value (High Byte) | | | | | | | |
| 8 | DATA OUT 2 Value (Low Byte) | | | | | | | |
| 9 | DATA OUT 2 Value (High Byte) | | | | | | | |
| 10 | DATA OUT 3 Value (Low Byte) | | | | | | | |
| 11 | DATA OUT 3 Value (High Byte) | | | | | | | |
| 12 | DATA OUT 4 Value (Low Byte) | | | | | | | |
| 13 | DATA OUT 4 Value (High Byte) | | | | | | | |
| 14 | DATA OUT 5 Value (Low Byte) | | | | | | | |
| 15 | DATA OUT 5 Value (High Byte) | | | | | | | |
| 16 | DATA OUT 6 Value (Low Byte) | | | | | | | |
| 17 | DATA OUT 6 Value (High Byte) | | | | | | | |
| 18 | DATA OUT 7 Value (Low Byte) | | | | | | | |
| 19 | DATA OUT 7 Value (High Byte) | | | | | | | |
| 20 | DATA OUT 8 Value (Low Byte) | | | | | | | |

| Instance 122 (ODVA AC/DC profile) | | | | | | | | |
|--|-------------------------------|--------------|--------------|--------------|--------------|--------------|--------------|--------------|
| Byte | Bit 7 | Bit 6 | Bit 5 | Bit 4 | Bit 3 | Bit 2 | Bit 1 | Bit 0 |
| 21 | DATA OUT 8 Value (High Byte) | | | | | | | |
| 22 | DATA OUT 9 Value (Low Byte) | | | | | | | |
| 23 | DATA OUT 9 Value (High Byte) | | | | | | | |
| 24 | DATA OUT 10 Value (Low Byte) | | | | | | | |
| 25 | DATA OUT 10 Value (High Byte) | | | | | | | |

The format of the input assembly is:

| Instance 172 (ODVA AC/DC profile) | | | | | | | | |
|--|-----------------------------|--------------|--------------|--------------|--------------|--------------------|--------------|--------------|
| Byte | Bit 7 | Bit 6 | Bit 5 | Bit 4 | Bit 3 | Bit 2 | Bit 1 | Bit 0 |
| 0 | | | | | | Running 1 (Fwd) | | Faulted |
| 1 | | | | | | | | |
| 2 | Speed Actual (Low Byte) | | | | | | | |
| 3 | Speed Actual (High Byte) | | | | | | | |
| 4 | Torque Actual (Low Byte) | | | | | | | |
| 5 | Torque Actual (High Byte) | | | | | | | |
| 6 | DATA IN 1 Value (Low Byte) | | | | | | | |
| 7 | DATA IN 1 Value (High Byte) | | | | | | | |
| 8 | DATA IN 2 Value (Low Byte) | | | | | | | |
| 9 | DATA IN 2 Value (High Byte) | | | | | | | |
| 10 | DATA IN 3 Value (Low Byte) | | | | | | | |
| 11 | DATA IN 3 Value (High Byte) | | | | | | | |
| 12 | DATA IN 4 Value (Low Byte) | | | | | | | |
| 13 | DATA IN 4 Value (High Byte) | | | | | | | |
| 14 | DATA IN 5 Value (Low Byte) | | | | | | | |
| 15 | DATA IN 5 Value (High Byte) | | | | | | | |
| 16 | DATA IN 6 Value (Low Byte) | | | | | | | |
| 17 | DATA IN 6 Value (High Byte) | | | | | | | |

| Instance 172 (ODVA AC/DC profile) | | | | | | | | |
|--|------------------------------|--------------|--------------|--------------|--------------|--------------|--------------|--------------|
| Byte | Bit 7 | Bit 6 | Bit 5 | Bit 4 | Bit 3 | Bit 2 | Bit 1 | Bit 0 |
| 18 | DATA IN 7 Value (Low Byte) | | | | | | | |
| 19 | DATA IN 7 Value (High Byte) | | | | | | | |
| 20 | DATA IN 8 Value (Low Byte) | | | | | | | |
| 21 | DATA IN 8 Value (High Byte) | | | | | | | |
| 22 | DATA IN 9 Value (Low Byte) | | | | | | | |
| 23 | DATA IN 9 Value (High Byte) | | | | | | | |
| 24 | DATA IN 10 Value (Low Byte) | | | | | | | |
| 25 | DATA IN 10 Value (High Byte) | | | | | | | |

Extended speed and torque control assembly

The Extended speed and torque control assembly is defined by the ODVA AC/DC drive profile. The format of the output assembly is:

| Instance 23 (ODVA AC/DC profile) | | | | | | | | |
|---|------------------------------|--------------|--------------|--------------|--------------|--------------|--------------|--------------|
| Byte | Bit 7 | Bit 6 | Bit 5 | Bit 4 | Bit 3 | Bit 2 | Bit 1 | Bit 0 |
| 0 | | NetRef | NetCtrl | | | Fault Reset | Run Rev | Run Fwd |
| 1 | | | | | | | | |
| 2 | Speed Reference (Low Byte) | | | | | | | |
| 3 | Speed Reference (High Byte) | | | | | | | |
| 4 | Torque Reference (Low Byte) | | | | | | | |
| 5 | Torque Reference (High Byte) | | | | | | | |

The format of the input assembly is:

| Instance 73 (ODVA AC/DC profile) | | | | | | | | |
|----------------------------------|---|--------------|---------------|-------|-----------------|-----------------|----------|---------|
| Byte | Bit 7 | Bit 6 | Bit 5 | Bit 4 | Bit 3 | Bit 2 | Bit 1 | Bit 0 |
| 0 | At Refer-ence | Ref From Net | Ctrl From Net | Ready | Run-ning2 (Rev) | Run-ning1 (Fwd) | Warn-ing | Faulted |
| 1 | Drive State (See section State (Control supervisor object) on page 83.) | | | | | | | |
| 2 | Speed Actual (Low Byte) | | | | | | | |
| 3 | Speed Actual (High Byte) | | | | | | | |
| 4 | Torque Actual (Low Byte) | | | | | | | |
| 5 | Torque Actual (High Byte) | | | | | | | |

Extended speed and torque control plus drive parameters assembly

The Extended speed and torque control plus drive parameters assembly, defined by ABB, adds configurable drive parameters to the Extended speed and torque control assembly of the ODVA AC/DC drive profile.

The format of the output assembly is:

| Instance 123 (ODVA AC/DC profile) | | | | | | | | |
|-----------------------------------|------------------------------|--------|---------|-------|-------|-------------|---------|---------|
| Byte | Bit 7 | Bit 6 | Bit 5 | Bit 4 | Bit 3 | Bit 2 | Bit 1 | Bit 0 |
| 0 | | NetRef | NetCtrl | | | Fault Reset | Run Rev | Run Fwd |
| 1 | | | | | | | | |
| 2 | Speed Reference (Low Byte) | | | | | | | |
| 3 | Speed Reference (High Byte) | | | | | | | |
| 4 | Torque Reference (Low Byte) | | | | | | | |
| 5 | Torque Reference (High Byte) | | | | | | | |
| 6 | DATA OUT 1 Value (Low Byte) | | | | | | | |
| 7 | DATA OUT 1 Value (High Byte) | | | | | | | |
| 8 | DATA OUT 2 Value (Low Byte) | | | | | | | |

| Instance 123 (ODVA AC/DC profile) | | | | | | | | |
|-----------------------------------|-------------------------------|-------|-------|-------|-------|-------|-------|-------|
| Byte | Bit 7 | Bit 6 | Bit 5 | Bit 4 | Bit 3 | Bit 2 | Bit 1 | Bit 0 |
| 9 | DATA OUT 2 Value (High Byte) | | | | | | | |
| 10 | DATA OUT 3 Value (Low Byte) | | | | | | | |
| 11 | DATA OUT 3 Value (High Byte) | | | | | | | |
| 12 | DATA OUT 4 Value (Low Byte) | | | | | | | |
| 13 | DATA OUT 4 Value (High Byte) | | | | | | | |
| 14 | DATA OUT 5 Value (Low Byte) | | | | | | | |
| 15 | DATA OUT 5 Value (High Byte) | | | | | | | |
| 16 | DATA OUT 6 Value (Low Byte) | | | | | | | |
| 17 | DATA OUT 6 Value (High Byte) | | | | | | | |
| 18 | DATA OUT 7 Value (Low Byte) | | | | | | | |
| 19 | DATA OUT 7 Value (High Byte) | | | | | | | |
| 20 | DATA OUT 8 Value (Low Byte) | | | | | | | |
| 21 | DATA OUT 8 Value (High Byte) | | | | | | | |
| 22 | DATA OUT 9 Value (Low Byte) | | | | | | | |
| 23 | DATA OUT 9 Value (High Byte) | | | | | | | |
| 24 | DATA OUT 10 Value (Low Byte) | | | | | | | |
| 25 | DATA OUT 10 Value (High Byte) | | | | | | | |

The format of the input assembly is:

| Instance 173 (ODVA AC/DC profile) | | | | | | | | |
|-----------------------------------|---|--------------|---------------|-------|----------------|----------------|---------|---------|
| Byte | Bit 7 | Bit 6 | Bit 5 | Bit 4 | Bit 3 | Bit 2 | Bit 1 | Bit 0 |
| 0 | At Reference | Ref From Net | Ctrl From Net | Ready | Running2 (Rev) | Running1 (Fwd) | Warning | Faulted |
| 1 | Drive State (See section State (Control supervisor object) on page 83.) | | | | | | | |
| 2 | Speed Actual (Low Byte) | | | | | | | |
| 3 | Speed Actual (High Byte) | | | | | | | |
| 4 | Torque Actual (Low Byte) | | | | | | | |

| Instance 173 (ODVA AC/DC profile) | | | | | | | | |
|--|------------------------------|--------------|--------------|--------------|--------------|--------------|--------------|--------------|
| Byte | Bit 7 | Bit 6 | Bit 5 | Bit 4 | Bit 3 | Bit 2 | Bit 1 | Bit 0 |
| 5 | Torque Actual (High Byte) | | | | | | | |
| 6 | DATA IN 1 Value (Low Byte) | | | | | | | |
| 7 | DATA IN 1 Value (High Byte) | | | | | | | |
| 8 | DATA IN 2 Value (Low Byte) | | | | | | | |
| 9 | DATA IN 2 Value (High Byte) | | | | | | | |
| 10 | DATA IN 3 Value (Low Byte) | | | | | | | |
| 11 | DATA IN 3 Value (High Byte) | | | | | | | |
| 12 | DATA IN 4 Value (Low Byte) | | | | | | | |
| 13 | DATA IN 4 Value (High Byte) | | | | | | | |
| 14 | DATA IN 5 Value (Low Byte) | | | | | | | |
| 15 | DATA IN 5 Value (High Byte) | | | | | | | |
| 16 | DATA IN 6 Value (Low Byte) | | | | | | | |
| 17 | DATA IN 6 Value (High Byte) | | | | | | | |
| 18 | DATA IN 7 Value (Low Byte) | | | | | | | |
| 19 | DATA IN 7 Value (High Byte) | | | | | | | |
| 20 | DATA IN 8 Value (Low Byte) | | | | | | | |
| 21 | DATA IN 8 Value (High Byte) | | | | | | | |
| 22 | DATA IN 9 Value (Low Byte) | | | | | | | |
| 23 | DATA IN 9 Value (High Byte) | | | | | | | |
| 24 | DATA IN 10 Value (Low Byte) | | | | | | | |
| 25 | DATA IN 10 Value (High Byte) | | | | | | | |

■ ABB Drives profile with set speed assembly

The ABB Drives profile with set speed assembly is defined by ABB. The format of the output assembly is:

| Instance 1 (ABB Drives profile) | | | | | | | | |
|---------------------------------|-----------------------|--------------|-----------|---------------|-------------------|---------------|---------------|---------------|
| Byte | Bit 7 | Bit 6 | Bit 5 | Bit 4 | Bit 3 | Bit 2 | Bit 1 | Bit 0 |
| 0 | Reset | Ramp in Zero | Ramp Hold | Ramp Out Zero | Inhibit Operation | Off 3 Control | Off 2 Control | Off 1 Control |
| 1 | | | | | Ext Ctrl Loc | Remote Cmd | | |
| 2 | Set Speed (Low Byte) | | | | | | | |
| 3 | Set Speed (High Byte) | | | | | | | |

The format of the input assembly is:

| Instance 51 (ABB Drives profile) | | | | | | | | |
|----------------------------------|--------------------------|--------------|-----------|----------------|--------------|-------------|---------|--------------|
| Byte | Bit 7 | Bit 6 | Bit 5 | Bit 4 | Bit 3 | Bit 2 | Bit 1 | Bit 0 |
| 0 | Alarm | Swc On Inhib | Off 3 Sta | Off 2 Sta | Tripped | Rdy Ref | Rdy Run | Rdy On |
| 1 | Field-bus Error | | | Ext Run Enable | Ext Ctrl Loc | Above Limit | Remote | At Set-point |
| 2 | Actual Speed (Low Byte) | | | | | | | |
| 3 | Actual Speed (High Byte) | | | | | | | |

■ ABB Drives profile with set speed plus drive parameters assembly

The ABB Drives profile with set speed plus drive parameters assembly, defined by ABB, adds configurable drive parameters to the ABB Drives profile with set speed of the ABB Drives profile.

The format of the output assembly is:

| Instance 101 (ABB Drives profile) | | | | | | | | |
|-----------------------------------|------------------------------|--------------|-----------|---------------|-------------------|---------------|---------------|---------------|
| Byte | Bit 7 | Bit 6 | Bit 5 | Bit 4 | Bit 3 | Bit 2 | Bit 1 | Bit 0 |
| 0 | Reset | Ramp in Zero | Ramp Hold | Ramp Out Zero | Inhibit Operation | Off 3 Control | Off 2 Control | Off 1 Control |
| 1 | | | | | Ext Ctrl Loc | Remote Cmd | | |
| 2 | Set Speed (Low Byte) | | | | | | | |
| 3 | Set Speed (High Byte) | | | | | | | |
| 4 | DATA OUT 1 Value (Low Byte) | | | | | | | |
| 5 | DATA OUT 1 Value (High Byte) | | | | | | | |
| 6 | DATA OUT 2 Value (Low Byte) | | | | | | | |
| 7 | DATA OUT 2 Value (High Byte) | | | | | | | |
| 8 | DATA OUT 3 Value (Low Byte) | | | | | | | |
| 9 | DATA OUT 3 Value (High Byte) | | | | | | | |
| 10 | DATA OUT 4 Value (Low Byte) | | | | | | | |
| 11 | DATA OUT 4 Value (High Byte) | | | | | | | |
| 12 | DATA OUT 5 Value (Low Byte) | | | | | | | |
| 13 | DATA OUT 5 Value (High Byte) | | | | | | | |
| 14 | DATA OUT 6 Value (Low Byte) | | | | | | | |
| 15 | DATA OUT 6 Value (High Byte) | | | | | | | |
| 16 | DATA OUT 7 Value (Low Byte) | | | | | | | |
| 17 | DATA OUT 7 Value (High Byte) | | | | | | | |
| 18 | DATA OUT 8 Value (Low Byte) | | | | | | | |

| Instance 101 (ABB Drives profile) | | | | | | | | |
|--|-------------------------------|--------------|--------------|--------------|--------------|--------------|--------------|--------------|
| Byte | Bit 7 | Bit 6 | Bit 5 | Bit 4 | Bit 3 | Bit 2 | Bit 1 | Bit 0 |
| 19 | DATA OUT 8 Value (High Byte) | | | | | | | |
| 20 | DATA OUT 9 Value (Low Byte) | | | | | | | |
| 21 | DATA OUT 9 Value (High Byte) | | | | | | | |
| 22 | DATA OUT 10 Value (Low Byte) | | | | | | | |
| 23 | DATA OUT 10 Value (High Byte) | | | | | | | |

The format of the input assembly is:

| Instance 151 (ABB Drives profile) | | | | | | | | |
|--|-----------------------------|--------------|--------------|----------------|--------------|--------------|--------------|--------------|
| Byte | Bit 7 | Bit 6 | Bit 5 | Bit 4 | Bit 3 | Bit 2 | Bit 1 | Bit 0 |
| 0 | Alarm | Swc On Inhib | Off 3 Sta | Off 2 Sta | Tripped | Rdy Ref | Rdy Run | Rdy On |
| 1 | Field-bus Error | | | Ext Run Enable | Ext Ctrl Loc | Above Limit | Remote | At Set-point |
| 2 | Actual Speed (Low Byte) | | | | | | | |
| 3 | Actual Speed (High Byte) | | | | | | | |
| 4 | DATA IN 1 Value (Low Byte) | | | | | | | |
| 5 | DATA IN 1 Value (High Byte) | | | | | | | |
| 6 | DATA IN 2 Value (Low Byte) | | | | | | | |
| 7 | DATA IN 2 Value (High Byte) | | | | | | | |
| 8 | DATA IN 3 Value (Low Byte) | | | | | | | |
| 9 | DATA IN 3 Value (High Byte) | | | | | | | |
| 10 | DATA IN 4 Value (Low Byte) | | | | | | | |
| 11 | DATA IN 4 Value (High Byte) | | | | | | | |
| 12 | DATA IN 5 Value (Low Byte) | | | | | | | |
| 13 | DATA IN 5 Value (High Byte) | | | | | | | |
| 14 | DATA IN 6 Value (Low Byte) | | | | | | | |
| 15 | DATA IN 6 Value (High Byte) | | | | | | | |

| Instance 151 (ABB Drives profile) | | | | | | | | |
|-----------------------------------|------------------------------|-------|-------|-------|-------|-------|-------|-------|
| Byte | Bit 7 | Bit 6 | Bit 5 | Bit 4 | Bit 3 | Bit 2 | Bit 1 | Bit 0 |
| 16 | DATA IN 7 Value (Low Byte) | | | | | | | |
| 17 | DATA IN 7 Value (High Byte) | | | | | | | |
| 18 | DATA IN 8 Value (Low Byte) | | | | | | | |
| 19 | DATA IN 8 Value (High Byte) | | | | | | | |
| 20 | DATA IN 9 Value (Low Byte) | | | | | | | |
| 21 | DATA IN 9 Value (High Byte) | | | | | | | |
| 22 | DATA IN 10 Value (Low Byte) | | | | | | | |
| 23 | DATA IN 10 Value (High Byte) | | | | | | | |

■ ABB Drives profile with set speed and set torque assembly

The ABB Drives profile with set speed and set torque assembly is defined by ABB. The format of the output assembly is:

| Instance 2 (ABB Drives profile) | | | | | | | | |
|---------------------------------|------------------------|--------------|-----------|---------------|-------------------|---------------|---------------|---------------|
| Byte | Bit 7 | Bit 6 | Bit 5 | Bit 4 | Bit 3 | Bit 2 | Bit 1 | Bit 0 |
| 0 | Reset | Ramp in Zero | Ramp Hold | Ramp Out Zero | Inhibit Operation | Off 3 Control | Off 2 Control | Off 1 Control |
| 1 | | | | | Ext Ctrl Loc | Remote Cmd | | |
| 2 | Set Speed (Low Byte) | | | | | | | |
| 3 | Set Speed (High Byte) | | | | | | | |
| 4 | Set Torque (Low Byte) | | | | | | | |
| 5 | Set Torque (High Byte) | | | | | | | |

The format of the input assembly is:

| Instance 52 (ABB Drives profile) | | | | | | | | |
|---|---------------------------|--------------|--------------|----------------|--------------|--------------|--------------|--------------|
| Byte | Bit 7 | Bit 6 | Bit 5 | Bit 4 | Bit 3 | Bit 2 | Bit 1 | Bit 0 |
| 0 | Alarm | Swc On Inhib | Off 3 Sta | Off 2 Sta | Tripped | Rdy Ref | Rdy Run | Rdy On |
| 1 | Field-bus Error | | | Ext Run Enable | Ext Ctrl Loc | Above Limit | Remote | At Set-point |
| 2 | Actual Speed (Low Byte) | | | | | | | |
| 3 | Actual Speed (High Byte) | | | | | | | |
| 4 | Actual Torque (Low Byte) | | | | | | | |
| 5 | Actual Torque (High Byte) | | | | | | | |

■ ABB Drives profile with set speed and set torque plus drive parameters assembly

The ABB Drives profile with set speed and set torque plus drive parameters assembly, defined by ABB, adds configurable drive parameters to the ABB Drives profile with set speed and set torque of the ABB Drives profile.

The format of the output assembly is:

| Instance 102 (ABB Drives profile) | | | | | | | | |
|--|------------------------|--------------|--------------|---------------|-------------------|---------------|---------------|---------------|
| Byte | Bit 7 | Bit 6 | Bit 5 | Bit 4 | Bit 3 | Bit 2 | Bit 1 | Bit 0 |
| 0 | Reset | Ramp in Zero | Ramp Hold | Ramp Out Zero | Inhibit Operation | Off 3 Control | Off 2 Control | Off 1 Control |
| 1 | | | | | Ext Ctrl Loc | Remote Cmd | | |
| 2 | Set Speed (Low Byte) | | | | | | | |
| 3 | Set Speed (High Byte) | | | | | | | |
| 4 | Set Torque (Low Byte) | | | | | | | |
| 5 | Set Torque (High Byte) | | | | | | | |

| Instance 102 (ABB Drives profile) | | | | | | | | |
|--|-------------------------------|--------------|--------------|--------------|--------------|--------------|--------------|--------------|
| Byte | Bit 7 | Bit 6 | Bit 5 | Bit 4 | Bit 3 | Bit 2 | Bit 1 | Bit 0 |
| 6 | DATA OUT 1 Value (Low Byte) | | | | | | | |
| 7 | DATA OUT 1 Value (High Byte) | | | | | | | |
| 8 | DATA OUT 2 Value (Low Byte) | | | | | | | |
| 9 | DATA OUT 2 Value (High Byte) | | | | | | | |
| 10 | DATA OUT 3 Value (Low Byte) | | | | | | | |
| 11 | DATA OUT 3 Value (High Byte) | | | | | | | |
| 12 | DATA OUT 4 Value (Low Byte) | | | | | | | |
| 13 | DATA OUT 4 Value (High Byte) | | | | | | | |
| 14 | DATA OUT 5 Value (Low Byte) | | | | | | | |
| 15 | DATA OUT 5 Value (High Byte) | | | | | | | |
| 16 | DATA OUT 6 Value (Low Byte) | | | | | | | |
| 17 | DATA OUT 6 Value (High Byte) | | | | | | | |
| 18 | DATA OUT 7 Value (Low Byte) | | | | | | | |
| 19 | DATA OUT 7 Value (High Byte) | | | | | | | |
| 20 | DATA OUT 8 Value (Low Byte) | | | | | | | |
| 21 | DATA OUT 8 Value (High Byte) | | | | | | | |
| 22 | DATA OUT 9 Value (Low Byte) | | | | | | | |
| 23 | DATA OUT 9 Value (High Byte) | | | | | | | |
| 24 | DATA OUT 10 Value (Low Byte) | | | | | | | |
| 25 | DATA OUT 10 Value (High Byte) | | | | | | | |

The format of the input assembly is:

| Instance 152 (ABB Drives profile) | | | | | | | | |
|--|-----------------------------|--------------------|--------------|----------------------|-----------------|----------------|--------------|---------------------|
| Byte | Bit 7 | Bit 6 | Bit 5 | Bit 4 | Bit 3 | Bit 2 | Bit 1 | Bit 0 |
| 0 | Alarm | Swc On Inhib | Off 3 Sta | Off 2 Sta | Tripped | Rdy Ref | Rdy Run | Rdy On |
| 1 | Field- bus Error | | | Ext Run Enable | Ext Ctrl Loc | Above Limit | Remote | At Set- point |
| 2 | Actual Speed (Low Byte) | | | | | | | |
| 3 | Actual Speed (High Byte) | | | | | | | |
| 4 | Actual Torque (Low Byte) | | | | | | | |
| 5 | Actual Torque (High Byte) | | | | | | | |
| 6 | DATA IN 1 Value (Low Byte) | | | | | | | |
| 7 | DATA IN 1 Value (High Byte) | | | | | | | |
| 8 | DATA IN 2 Value (Low Byte) | | | | | | | |
| 9 | DATA IN 2 Value (High Byte) | | | | | | | |
| 10 | DATA IN 3 Value (Low Byte) | | | | | | | |
| 11 | DATA IN 3 Value (High Byte) | | | | | | | |
| 12 | DATA IN 4 Value (Low Byte) | | | | | | | |
| 13 | DATA IN 4 Value (High Byte) | | | | | | | |
| 14 | DATA IN 5 Value (Low Byte) | | | | | | | |
| 15 | DATA IN 5 Value (High Byte) | | | | | | | |
| 16 | DATA IN 6 Value (Low Byte) | | | | | | | |
| 17 | DATA IN 6 Value (High Byte) | | | | | | | |
| 18 | DATA IN 7 Value (Low Byte) | | | | | | | |
| 19 | DATA IN 7 Value (High Byte) | | | | | | | |
| 20 | DATA IN 8 Value (Low Byte) | | | | | | | |
| 21 | DATA IN 8 Value (High Byte) | | | | | | | |
| 22 | DATA IN 9 Value (Low Byte) | | | | | | | |
| 23 | DATA IN 9 Value (High Byte) | | | | | | | |

| Instance 152 (ABB Drives profile) | | | | | | | | |
|-----------------------------------|------------------------------|-------|-------|-------|-------|-------|-------|-------|
| Byte | Bit 7 | Bit 6 | Bit 5 | Bit 4 | Bit 3 | Bit 2 | Bit 1 | Bit 0 |
| 24 | DATA IN 10 Value (Low Byte) | | | | | | | |
| 25 | DATA IN 10 Value (High Byte) | | | | | | | |

■ Transparent 16 with one assembly

The Transparent 16 with one assembly, defined by ABB, provides unaltered 16-bit access to the configured drive profile.

The format of the output assembly is:

| Instance 11 (Transparent 16 profile) | | | | | | | | |
|--------------------------------------|---|-------|-------|-------|-------|-------|-------|-------|
| Byte | Bit 7 | Bit 6 | Bit 5 | Bit 4 | Bit 3 | Bit 2 | Bit 1 | Bit 0 |
| 0 | Drive Profile 16-bit Control Word (Low Byte) | | | | | | | |
| 1 | Drive Profile 16-bit Control Word (High Byte) | | | | | | | |
| 2 | Drive Profile 16-bit Reference 1 Word (Low Byte) | | | | | | | |
| 3 | Drive Profile 16-bit Reference 1 Word (High Byte) | | | | | | | |

The format of the input assembly is:

| Instance 61 (Transparent 16 profile) | | | | | | | | |
|--------------------------------------|--|-------|-------|-------|-------|-------|-------|-------|
| Byte | Bit 7 | Bit 6 | Bit 5 | Bit 4 | Bit 3 | Bit 2 | Bit 1 | Bit 0 |
| 0 | Drive Profile 16-bit Status Word (Low Byte) | | | | | | | |
| 1 | Drive Profile 16-bit Status Word (High Byte) | | | | | | | |
| 2 | Drive Profile 16-bit Actual 1 Word (Low Byte) | | | | | | | |
| 3 | Drive Profile 16-bit Actual 1 Word (High Byte) | | | | | | | |

■ Transparent 16 with one assembly plus drive parameters

The Transparent 16 with one assembly plus drive parameters, defined by ABB, adds configurable drive parameters to the Transparent 16 with one assembly.

The format of the output assembly is:

| Instance 111 (Transparent 16 profile) | | | | | | | | |
|---------------------------------------|---|-------|-------|-------|-------|-------|-------|-------|
| Byte | Bit 7 | Bit 6 | Bit 5 | Bit 4 | Bit 3 | Bit 2 | Bit 1 | Bit 0 |
| 0 | Drive Profile 16-bit Control Word (Low Byte) | | | | | | | |
| 1 | Drive Profile 16-bit Control Word (High Byte) | | | | | | | |
| 2 | Drive Profile 16-bit Reference 1 Word (Low Byte) | | | | | | | |
| 3 | Drive Profile 16-bit Reference 1 Word (High Byte) | | | | | | | |
| 4 | DATA OUT 1 Value (Low Byte) | | | | | | | |
| 5 | DATA OUT 1 Value (High Byte) | | | | | | | |
| 6 | DATA OUT 2 Value (Low Byte) | | | | | | | |
| 7 | DATA OUT 2 Value (High Byte) | | | | | | | |
| 8 | DATA OUT 3 Value (Low Byte) | | | | | | | |
| 9 | DATA OUT 3 Value (High Byte) | | | | | | | |
| 10 | DATA OUT 4 Value (Low Byte) | | | | | | | |
| 11 | DATA OUT 4 Value (High Byte) | | | | | | | |
| 12 | DATA OUT 5 Value (Low Byte) | | | | | | | |
| 13 | DATA OUT 5 Value (High Byte) | | | | | | | |
| 14 | DATA OUT 6 Value (Low Byte) | | | | | | | |
| 15 | DATA OUT 6 Value (High Byte) | | | | | | | |
| 16 | DATA OUT 7 Value (Low Byte) | | | | | | | |
| 17 | DATA OUT 7 Value (High Byte) | | | | | | | |
| 18 | DATA OUT 8 Value (Low Byte) | | | | | | | |
| 19 | DATA OUT 8 Value (High Byte) | | | | | | | |
| 20 | DATA OUT 9 Value (Low Byte) | | | | | | | |
| 21 | DATA OUT 9 Value (High Byte) | | | | | | | |

| Instance 111 (Transparent 16 profile) | | | | | | | | |
|--|-------------------------------|--------------|--------------|--------------|--------------|--------------|--------------|--------------|
| Byte | Bit 7 | Bit 6 | Bit 5 | Bit 4 | Bit 3 | Bit 2 | Bit 1 | Bit 0 |
| 22 | DATA OUT 10 Value (Low Byte) | | | | | | | |
| 23 | DATA OUT 10 Value (High Byte) | | | | | | | |

The format of the input assembly is:

| Instance 161 (Transparent 16 profile) | | | | | | | | |
|--|--|--------------|--------------|--------------|--------------|--------------|--------------|--------------|
| Byte | Bit 7 | Bit 6 | Bit 5 | Bit 4 | Bit 3 | Bit 2 | Bit 1 | Bit 0 |
| 0 | Drive Profile 16-bit Status Word (Low Byte) | | | | | | | |
| 1 | Drive Profile 16-bit Status Word (High Byte) | | | | | | | |
| 2 | Drive Profile 16-bit Actual 1 Word (Low Byte) | | | | | | | |
| 3 | Drive Profile 16-bit Actual 1 Word (High Byte) | | | | | | | |
| 4 | DATA IN 1 Value (Low Byte) | | | | | | | |
| 5 | DATA IN 1 Value (High Byte) | | | | | | | |
| 6 | DATA IN 2 Value (Low Byte) | | | | | | | |
| 7 | DATA IN 2 Value (High Byte) | | | | | | | |
| 8 | DATA IN 3 Value (Low Byte) | | | | | | | |
| 9 | DATA IN 3 Value (High Byte) | | | | | | | |
| 10 | DATA IN 4 Value (Low Byte) | | | | | | | |
| 11 | DATA IN 4 Value (High Byte) | | | | | | | |
| 12 | DATA IN 5 Value (Low Byte) | | | | | | | |
| 13 | DATA IN 5 Value (High Byte) | | | | | | | |
| 14 | DATA IN 6 Value (Low Byte) | | | | | | | |
| 15 | DATA IN 6 Value (High Byte) | | | | | | | |
| 16 | DATA IN 7 Value (Low Byte) | | | | | | | |
| 17 | DATA IN 7 Value (High Byte) | | | | | | | |
| 18 | DATA IN 8 Value (Low Byte) | | | | | | | |
| 19 | DATA IN 8 Value (High Byte) | | | | | | | |
| 20 | DATA IN 9 Value (Low Byte) | | | | | | | |
| 21 | DATA IN 9 Value (High Byte) | | | | | | | |

| Instance 161 (Transparent 16 profile) | | | | | | | | |
|--|------------------------------|--------------|--------------|--------------|--------------|--------------|--------------|--------------|
| Byte | Bit 7 | Bit 6 | Bit 5 | Bit 4 | Bit 3 | Bit 2 | Bit 1 | Bit 0 |
| 22 | DATA IN 10 Value (Low Byte) | | | | | | | |
| 23 | DATA IN 10 Value (High Byte) | | | | | | | |

■ **Transparent 16 with two assembly**

The Transparent 16 with two assembly, defined by ABB, provides unaltered 16-bit access to the configured drive profile.

The format of the output assembly is:

| Instance 12 (Transparent 16 profile) | | | | | | | | |
|---|---|--------------|--------------|--------------|--------------|--------------|--------------|--------------|
| Byte | Bit 7 | Bit 6 | Bit 5 | Bit 4 | Bit 3 | Bit 2 | Bit 1 | Bit 0 |
| 0 | Drive Profile 16-bit Control Word (Low Byte) | | | | | | | |
| 1 | Drive Profile 16-bit Control Word (High Byte) | | | | | | | |
| 2 | Drive Profile 16-bit Reference 1 Word (Low Byte) | | | | | | | |
| 3 | Drive Profile 16-bit Reference 1 Word (High Byte) | | | | | | | |
| 4 | Drive Profile 16-bit Reference 2 Word (Low Byte) | | | | | | | |
| 5 | Drive Profile 16-bit Reference 2 Word (High Byte) | | | | | | | |

The format of the input assembly is:

| Instance 62 (Transparent 16 profile) | | | | | | | | |
|---|--|--------------|--------------|--------------|--------------|--------------|--------------|--------------|
| Byte | Bit 7 | Bit 6 | Bit 5 | Bit 4 | Bit 3 | Bit 2 | Bit 1 | Bit 0 |
| 0 | Drive Profile 16-bit Status Word (Low Byte) | | | | | | | |
| 1 | Drive Profile 16-bit Status Word (High Byte) | | | | | | | |
| 2 | Drive Profile 16-bit Actual 1 Word (Low Byte) | | | | | | | |
| 3 | Drive Profile 16-bit Actual 1 Word (High Byte) | | | | | | | |
| 4 | Drive Profile 16-bit Actual 2 Word (Low Byte) | | | | | | | |
| 5 | Drive Profile 16-bit Actual 2 Word (High Byte) | | | | | | | |

■ Transparent 16 with two assembly plus drive parameters

The Transparent 16 with two assembly plus drive parameters, defined by ABB, adds configurable drive parameters to the Transparent 16 with two assembly.

The format of the output assembly is:

| Instance 112 (Transparent 16 profile) | | | | | | | | |
|---------------------------------------|---|-------|-------|-------|-------|-------|-------|-------|
| Byte | Bit 7 | Bit 6 | Bit 5 | Bit 4 | Bit 3 | Bit 2 | Bit 1 | Bit 0 |
| 0 | Drive Profile 16-bit Control Word (Low Byte) | | | | | | | |
| 1 | Drive Profile 16-bit Control Word (High Byte) | | | | | | | |
| 2 | Drive Profile 16-bit Reference 1 Word (Low Byte) | | | | | | | |
| 3 | Drive Profile 16-bit Reference 1 Word (High Byte) | | | | | | | |
| 4 | Drive Profile 16-bit Reference 2 Word (Low Byte) | | | | | | | |
| 5 | Drive Profile 16-bit Reference 2 Word (High Byte) | | | | | | | |
| 6 | DATA OUT 1 Value (Low Byte) | | | | | | | |
| 7 | DATA OUT 1 Value (High Byte) | | | | | | | |
| 8 | DATA OUT 2 Value (Low Byte) | | | | | | | |
| 9 | DATA OUT 2 Value (High Byte) | | | | | | | |
| 10 | DATA OUT 3 Value (Low Byte) | | | | | | | |
| 11 | DATA OUT 3 Value (High Byte) | | | | | | | |
| 12 | DATA OUT 4 Value (Low Byte) | | | | | | | |
| 13 | DATA OUT 4 Value (High Byte) | | | | | | | |
| 14 | DATA OUT 5 Value (Low Byte) | | | | | | | |
| 15 | DATA OUT 5 Value (High Byte) | | | | | | | |
| 16 | DATA OUT 6 Value (Low Byte) | | | | | | | |
| 17 | DATA OUT 6 Value (High Byte) | | | | | | | |
| 18 | DATA OUT 7 Value (Low Byte) | | | | | | | |
| 19 | DATA OUT 7 Value (High Byte) | | | | | | | |
| 20 | DATA OUT 8 Value (Low Byte) | | | | | | | |
| 21 | DATA OUT 8 Value (High Byte) | | | | | | | |

| Instance 112 (Transparent 16 profile) | | | | | | | | |
|--|-------------------------------|--------------|--------------|--------------|--------------|--------------|--------------|--------------|
| Byte | Bit 7 | Bit 6 | Bit 5 | Bit 4 | Bit 3 | Bit 2 | Bit 1 | Bit 0 |
| 22 | DATA OUT 9 Value (Low Byte) | | | | | | | |
| 23 | DATA OUT 9 Value (High Byte) | | | | | | | |
| 24 | DATA OUT 10 Value (Low Byte) | | | | | | | |
| 25 | DATA OUT 10 Value (High Byte) | | | | | | | |

The format of the input assembly is:

| Instance 162 (Transparent 16 profile) | | | | | | | | |
|--|--|--------------|--------------|--------------|--------------|--------------|--------------|--------------|
| Byte | Bit 7 | Bit 6 | Bit 5 | Bit 4 | Bit 3 | Bit 2 | Bit 1 | Bit 0 |
| 0 | Drive Profile 16-bit Status Word (Low Byte) | | | | | | | |
| 1 | Drive Profile 16-bit Status Word (High Byte) | | | | | | | |
| 2 | Drive Profile 16-bit Actual 1 Word (Low Byte) | | | | | | | |
| 3 | Drive Profile 16-bit Actual 1 Word (High Byte) | | | | | | | |
| 4 | Drive Profile 16-bit Actual 2 Word (Low Byte) | | | | | | | |
| 5 | Drive Profile 16-bit Actual 2 Word (High Byte) | | | | | | | |
| 6 | DATA IN 1 Value (Low Byte) | | | | | | | |
| 7 | DATA IN 1 Value (High Byte) | | | | | | | |
| 8 | DATA IN 2 Value (Low Byte) | | | | | | | |
| 9 | DATA IN 2 Value (High Byte) | | | | | | | |
| 10 | DATA IN 3 Value (Low Byte) | | | | | | | |
| 11 | DATA IN 3 Value (High Byte) | | | | | | | |
| 12 | DATA IN 4 Value (Low Byte) | | | | | | | |
| 13 | DATA IN 4 Value (High Byte) | | | | | | | |
| 14 | DATA IN 5 Value (Low Byte) | | | | | | | |
| 15 | DATA IN 5 Value (High Byte) | | | | | | | |
| 16 | DATA IN 6 Value (Low Byte) | | | | | | | |
| 17 | DATA IN 6 Value (High Byte) | | | | | | | |
| 18 | DATA IN 7 Value (Low Byte) | | | | | | | |
| 19 | DATA IN 7 Value (High Byte) | | | | | | | |

| Instance 162 (Transparent 16 profile) | | | | | | | | |
|---------------------------------------|------------------------------|-------|-------|-------|-------|-------|-------|-------|
| Byte | Bit 7 | Bit 6 | Bit 5 | Bit 4 | Bit 3 | Bit 2 | Bit 1 | Bit 0 |
| 20 | DATA IN 8 Value (Low Byte) | | | | | | | |
| 21 | DATA IN 8 Value (High Byte) | | | | | | | |
| 22 | DATA IN 9 Value (Low Byte) | | | | | | | |
| 23 | DATA IN 9 Value (High Byte) | | | | | | | |
| 24 | DATA IN 10 Value (Low Byte) | | | | | | | |
| 25 | DATA IN 10 Value (High Byte) | | | | | | | |

■ Transparent 32 with one assembly

The Transparent 32 with one assembly, defined by ABB, provides unaltered 32-bit access to the configured drive profile.

The format of the output assembly is:

| Instance 21 (Transparent 32 profile) | | | | | | | | |
|--------------------------------------|---|-------|-------|-------|-------|-------|-------|-------|
| Byte | Bit 7 | Bit 6 | Bit 5 | Bit 4 | Bit 3 | Bit 2 | Bit 1 | Bit 0 |
| 0 | Drive Profile 32-bit Control Word (Low Byte) | | | | | | | |
| 1 | Drive Profile 32-bit Control Word | | | | | | | |
| 2 | Drive Profile 32-bit Control Word | | | | | | | |
| 3 | Drive Profile 32-bit Control Word (High Byte) | | | | | | | |
| 4 | Drive Profile 32-bit Reference 1 Word (Low Byte) | | | | | | | |
| 5 | Drive Profile 32-bit Reference 1 Word | | | | | | | |
| 6 | Drive Profile 32-bit Reference 1 Word | | | | | | | |
| 7 | Drive Profile 32-bit Reference 1 Word (High Byte) | | | | | | | |

The format of the input assembly is:

| Instance 71 (Transparent 32 profile) | | | | | | | | |
|---|--|--------------|--------------|--------------|--------------|--------------|--------------|--------------|
| Byte | Bit 7 | Bit 6 | Bit 5 | Bit 4 | Bit 3 | Bit 2 | Bit 1 | Bit 0 |
| 0 | Drive Profile 32-bit Status Word (Low Byte) | | | | | | | |
| 1 | Drive Profile 32-bit Status Word | | | | | | | |
| 2 | Drive Profile 32-bit Status Word | | | | | | | |
| 3 | Drive Profile 32-bit Status Word (High Byte) | | | | | | | |
| 4 | Drive Profile 32-bit Actual 1 Word (Low Byte) | | | | | | | |
| 5 | Drive Profile 32-bit Actual 1 Word | | | | | | | |
| 6 | Drive Profile 32-bit Actual 1 Word | | | | | | | |
| 7 | Drive Profile 32-bit Actual 1 Word (High Byte) | | | | | | | |

■ Transparent 32 with one assembly plus drive parameters

The Transparent 32 with one assembly plus drive parameters, defined by ABB, adds configurable drive parameters to the Transparent 32 with one assembly.

The format of the output assembly is:

| Instance 121 (Transparent 32 profile) | | | | | | | | |
|--|---|--------------|--------------|--------------|--------------|--------------|--------------|--------------|
| Byte | Bit 7 | Bit 6 | Bit 5 | Bit 4 | Bit 3 | Bit 2 | Bit 1 | Bit 0 |
| 0 | Drive Profile 32-bit Control Word (Low Byte) | | | | | | | |
| 1 | Drive Profile 32-bit Control Word | | | | | | | |
| 2 | Drive Profile 32-bit Control Word | | | | | | | |
| 3 | Drive Profile 32-bit Control Word (High Byte) | | | | | | | |
| 4 | Drive Profile 32-bit Reference 1 Word (Low Byte) | | | | | | | |
| 5 | Drive Profile 32-bit Reference 1 Word | | | | | | | |
| 6 | Drive Profile 32-bit Reference 1 Word | | | | | | | |
| 7 | Drive Profile 32-bit Reference 1 Word (High Byte) | | | | | | | |
| 8 | DATA OUT 1 Value (Low Byte) | | | | | | | |
| 9 | DATA OUT 1 Value (High Byte) | | | | | | | |

| Instance 121 (Transparent 32 profile) | | | | | | | | |
|--|-------------------------------|--------------|--------------|--------------|--------------|--------------|--------------|--------------|
| Byte | Bit 7 | Bit 6 | Bit 5 | Bit 4 | Bit 3 | Bit 2 | Bit 1 | Bit 0 |
| 10 | DATA OUT 2 Value (Low Byte) | | | | | | | |
| 11 | DATA OUT 2 Value (High Byte) | | | | | | | |
| 12 | DATA OUT 3 Value (Low Byte) | | | | | | | |
| 13 | DATA OUT 3 Value (High Byte) | | | | | | | |
| 14 | DATA OUT 4 Value (Low Byte) | | | | | | | |
| 15 | DATA OUT 4 Value (High Byte) | | | | | | | |
| 16 | DATA OUT 5 Value (Low Byte) | | | | | | | |
| 17 | DATA OUT 5 Value (High Byte) | | | | | | | |
| 18 | DATA OUT 6 Value (Low Byte) | | | | | | | |
| 19 | DATA OUT 6 Value (High Byte) | | | | | | | |
| 20 | DATA OUT 7 Value (Low Byte) | | | | | | | |
| 21 | DATA OUT 7 Value (High Byte) | | | | | | | |
| 22 | DATA OUT 8 Value (Low Byte) | | | | | | | |
| 23 | DATA OUT 8 Value (High Byte) | | | | | | | |
| 24 | DATA OUT 9 Value (Low Byte) | | | | | | | |
| 25 | DATA OUT 9 Value (High Byte) | | | | | | | |
| 26 | DATA OUT 10 Value (Low Byte) | | | | | | | |
| 27 | DATA OUT 10 Value (High Byte) | | | | | | | |

The format of the input assembly is:

| Instance 171 (Transparent 32 profile) | | | | | | | | |
|--|--|--------------|--------------|--------------|--------------|--------------|--------------|--------------|
| Byte | Bit 7 | Bit 6 | Bit 5 | Bit 4 | Bit 3 | Bit 2 | Bit 1 | Bit 0 |
| 0 | Drive Profile 32-bit Status Word (Low Byte) | | | | | | | |
| 1 | Drive Profile 32-bit Status Word | | | | | | | |
| 2 | Drive Profile 32-bit Status Word | | | | | | | |
| 3 | Drive Profile 32-bit Status Word (High Byte) | | | | | | | |
| 4 | Drive Profile 32-bit Actual 1 Word (Low Byte) | | | | | | | |
| 5 | Drive Profile 32-bit Actual 1 Word (High Byte) | | | | | | | |

| Instance 171 (Transparent 32 profile) | | | | | | | | |
|--|--|--------------|--------------|--------------|--------------|--------------|--------------|--------------|
| Byte | Bit 7 | Bit 6 | Bit 5 | Bit 4 | Bit 3 | Bit 2 | Bit 1 | Bit 0 |
| 6 | Drive Profile 32-bit Actual 1 Word | | | | | | | |
| 7 | Drive Profile 32-bit Actual 1 Word (High Byte) | | | | | | | |
| 8 | DATA IN 1 Value (Low Byte) | | | | | | | |
| 9 | DATA IN 1 Value (High Byte) | | | | | | | |
| 10 | DATA IN 2 Value (Low Byte) | | | | | | | |
| 11 | DATA IN 2 Value (High Byte) | | | | | | | |
| 12 | DATA IN 3 Value (Low Byte) | | | | | | | |
| 13 | DATA IN 3 Value (High Byte) | | | | | | | |
| 14 | DATA IN 4 Value (Low Byte) | | | | | | | |
| 15 | DATA IN 4 Value (High Byte) | | | | | | | |
| 16 | DATA IN 5 Value (Low Byte) | | | | | | | |
| 17 | DATA IN 5 Value (High Byte) | | | | | | | |
| 18 | DATA IN 6 Value (Low Byte) | | | | | | | |
| 19 | DATA IN 6 Value (High Byte) | | | | | | | |
| 20 | DATA IN 7 Value (Low Byte) | | | | | | | |
| 21 | DATA IN 7 Value (High Byte) | | | | | | | |
| 22 | DATA IN 8 Value (Low Byte) | | | | | | | |
| 23 | DATA IN 8 Value (High Byte) | | | | | | | |
| 24 | DATA IN 9 Value (Low Byte) | | | | | | | |
| 25 | DATA IN 9 Value (High Byte) | | | | | | | |
| 26 | DATA IN 10 Value (Low Byte) | | | | | | | |
| 27 | DATA IN 10 Value (High Byte) | | | | | | | |

■ Transparent 32 with two assembly

The Transparent 32 with two assembly, defined by ABB, provides unaltered 32-bit access to the configured drive profile.

The format of the output assembly is:

| Instance 22 (Transparent 32 profile) | | | | | | | | |
|---|---|--------------|--------------|--------------|--------------|--------------|--------------|--------------|
| Byte | Bit 7 | Bit 6 | Bit 5 | Bit 4 | Bit 3 | Bit 2 | Bit 1 | Bit 0 |
| 0 | Drive Profile 32-bit Control Word (Low Byte) | | | | | | | |
| 1 | Drive Profile 32-bit Control Word | | | | | | | |
| 2 | Drive Profile 32-bit Control Word | | | | | | | |
| 3 | Drive Profile 32-bit Control Word (High Byte) | | | | | | | |
| 4 | Drive Profile 32-bit Reference 1 Word (Low Byte) | | | | | | | |
| 5 | Drive Profile 32-bit Reference 1 Word | | | | | | | |
| 6 | Drive Profile 32-bit Reference 1 Word | | | | | | | |
| 7 | Drive Profile 32-bit Reference 1 Word (High Byte) | | | | | | | |
| 8 | Drive Profile 32-bit Reference 2 Word (Low Byte) | | | | | | | |
| 9 | Drive Profile 32-bit Reference 2 Word | | | | | | | |
| 10 | Drive Profile 32-bit Reference 2 Word | | | | | | | |
| 11 | Drive Profile 32-bit Reference 2 Word (High Byte) | | | | | | | |

The format of the input assembly is:

| Instance 72 (Transparent 32 profile) | | | | | | | | |
|---|--|--------------|--------------|--------------|--------------|--------------|--------------|--------------|
| Byte | Bit 7 | Bit 6 | Bit 5 | Bit 4 | Bit 3 | Bit 2 | Bit 1 | Bit 0 |
| 0 | Drive Profile 32-bit Status Word (Low Byte) | | | | | | | |
| 1 | Drive Profile 32-bit Status Word | | | | | | | |
| 2 | Drive Profile 32-bit Status Word | | | | | | | |
| 3 | Drive Profile 32-bit Status Word (High Byte) | | | | | | | |
| 4 | Drive Profile 32-bit Actual 1 Word (Low Byte) | | | | | | | |
| 5 | Drive Profile 32-bit Actual 1 Word | | | | | | | |
| 6 | Drive Profile 32-bit Actual 1 Word | | | | | | | |
| 7 | Drive Profile 32-bit Actual 1 Word (High Byte) | | | | | | | |

| Instance 72 (Transparent 32 profile) | |
|---|--|
| 8 | Drive Profile 32-bit Actual 2 Word (Low Byte) |
| 9 | Drive Profile 32-bit Actual 2 Word |
| 10 | Drive Profile 32-bit Actual 2 Word |
| 11 | Drive Profile 32-bit Actual 2 Word (High Byte) |

■ Transparent 32 with two assembly plus drive parameters

The Transparent 32 with two assembly plus drive parameters, defined by ABB, adds configurable drive parameters to the Transparent 32 with two assembly.

The format of the output assembly is:

| Instance 122 (Transparent 32 profile) | | | | | | | | |
|--|---|--------------|--------------|--------------|--------------|--------------|--------------|--------------|
| Byte | Bit 7 | Bit 6 | Bit 5 | Bit 4 | Bit 3 | Bit 2 | Bit 1 | Bit 0 |
| 0 | Drive Profile 32-bit Control Word (Low Byte) | | | | | | | |
| 1 | Drive Profile 32-bit Control Word | | | | | | | |
| 2 | Drive Profile 32-bit Control Word | | | | | | | |
| 3 | Drive Profile 32-bit Control Word (High Byte) | | | | | | | |
| 4 | Drive Profile 32-bit Reference 1 Word (Low Byte) | | | | | | | |
| 5 | Drive Profile 32-bit Reference 1 Word | | | | | | | |
| 6 | Drive Profile 32-bit Reference 1 Word | | | | | | | |
| 7 | Drive Profile 32-bit Reference 1 Word (High Byte) | | | | | | | |
| 8 | Drive Profile 32-bit Reference 2 Word (Low Byte) | | | | | | | |
| 9 | Drive Profile 32-bit Reference 2 Word | | | | | | | |
| 10 | Drive Profile 32-bit Reference 2 Word | | | | | | | |
| 11 | Drive Profile 32-bit Reference 2 Word (High Byte) | | | | | | | |
| 12 | DATA OUT 1 Value (Low Byte) | | | | | | | |
| 13 | DATA OUT 1 Value (High Byte) | | | | | | | |
| 14 | DATA OUT 2 Value (Low Byte) | | | | | | | |
| 15 | DATA OUT 2 Value (High Byte) | | | | | | | |

| Instance 122 (Transparent 32 profile) | | | | | | | | |
|--|-------------------------------|--------------|--------------|--------------|--------------|--------------|--------------|--------------|
| Byte | Bit 7 | Bit 6 | Bit 5 | Bit 4 | Bit 3 | Bit 2 | Bit 1 | Bit 0 |
| 16 | DATA OUT 3 Value (Low Byte) | | | | | | | |
| 17 | DATA OUT 3 Value (High Byte) | | | | | | | |
| 18 | DATA OUT 4 Value (Low Byte) | | | | | | | |
| 19 | DATA OUT 4 Value (High Byte) | | | | | | | |
| 20 | DATA OUT 5 Value (Low Byte) | | | | | | | |
| 21 | DATA OUT 5 Value (High Byte) | | | | | | | |
| 22 | DATA OUT 6 Value (Low Byte) | | | | | | | |
| 23 | DATA OUT 6 Value (High Byte) | | | | | | | |
| 24 | DATA OUT 7 Value (Low Byte) | | | | | | | |
| 25 | DATA OUT 7 Value (High Byte) | | | | | | | |
| 26 | DATA OUT 8 Value (Low Byte) | | | | | | | |
| 27 | DATA OUT 8 Value (High Byte) | | | | | | | |
| 28 | DATA OUT 9 Value (Low Byte) | | | | | | | |
| 29 | DATA OUT 9 Value (High Byte) | | | | | | | |
| 30 | DATA OUT 10 Value (Low Byte) | | | | | | | |
| 31 | DATA OUT 10 Value (High Byte) | | | | | | | |

The format of the input assembly is:

| Instance 172 (Transparent 32 profile) | | | | | | | | |
|--|--|--------------|--------------|--------------|--------------|--------------|--------------|--------------|
| Byte | Bit 7 | Bit 6 | Bit 5 | Bit 4 | Bit 3 | Bit 2 | Bit 1 | Bit 0 |
| 0 | Drive Profile 32-bit Status Word (Low Byte) | | | | | | | |
| 1 | Drive Profile 32-bit Status Word | | | | | | | |
| 2 | Drive Profile 32-bit Status Word | | | | | | | |
| 3 | Drive Profile 32-bit Status Word (High Byte) | | | | | | | |
| 4 | Drive Profile 32-bit Actual 1 Word (Low Byte) | | | | | | | |
| 5 | Drive Profile 32-bit Actual 1 Word | | | | | | | |
| 6 | Drive Profile 32-bit Actual 1 Word | | | | | | | |
| 7 | Drive Profile 32-bit Actual 1 Word (High Byte) | | | | | | | |

| Instance 172 (Transparent 32 profile) | | | | | | | | |
|--|--|--------------|--------------|--------------|--------------|--------------|--------------|--------------|
| Byte | Bit 7 | Bit 6 | Bit 5 | Bit 4 | Bit 3 | Bit 2 | Bit 1 | Bit 0 |
| 8 | Drive Profile 32-bit Actual 2 Word (Low Byte) | | | | | | | |
| 9 | Drive Profile 32-bit Actual 2 Word | | | | | | | |
| 10 | Drive Profile 32-bit Actual 2 Word | | | | | | | |
| 11 | Drive Profile 32-bit Actual 2 Word (High Byte) | | | | | | | |
| 12 | DATA IN 1 Value (Low Byte) | | | | | | | |
| 13 | DATA IN 1 Value (High Byte) | | | | | | | |
| 14 | DATA IN 2 Value (Low Byte) | | | | | | | |
| 15 | DATA IN 2 Value (High Byte) | | | | | | | |
| 16 | DATA IN 3 Value (Low Byte) | | | | | | | |
| 17 | DATA IN 3 Value (High Byte) | | | | | | | |
| 18 | DATA IN 4 Value (Low Byte) | | | | | | | |
| 19 | DATA IN 4 Value (High Byte) | | | | | | | |
| 20 | DATA IN 5 Value (Low Byte) | | | | | | | |
| 21 | DATA IN 5 Value (High Byte) | | | | | | | |
| 22 | DATA IN 6 Value (Low Byte) | | | | | | | |
| 23 | DATA IN 6 Value (High Byte) | | | | | | | |
| 24 | DATA IN 7 Value (Low Byte) | | | | | | | |
| 25 | DATA IN 7 Value (High Byte) | | | | | | | |
| 26 | DATA IN 8 Value (Low Byte) | | | | | | | |
| 27 | DATA IN 8 Value (High Byte) | | | | | | | |
| 28 | DATA IN 9 Value (Low Byte) | | | | | | | |
| 29 | DATA IN 9 Value (High Byte) | | | | | | | |
| 30 | DATA IN 10 Value (Low Byte) | | | | | | | |
| 31 | DATA IN 10 Value (High Byte) | | | | | | | |

Class objects

The following ControlNet and CIP objects are supported.

| Object name | Object |
|--------------------------|--------|
| Identity | 0x01 |
| Message router | 0x02 |
| Assembly | 0x04 |
| Connection manager | 0x06 |
| Motor data | 0x28 |
| Control supervisor | 0x29 |
| AC/DC drive | 0x2A |
| Drive parameter | 0x90 |
| Fieldbus configuration | 0x91 |
| ControlNet | 0xF0 |
| Keeper | 0xF1 |
| Connection configuration | 0xF3 |
| Port | 0xF4 |
| Base energy | 0x4E |
| Electrical energy | 0x4F |
| Non-electrical energy | 0x50 |

| Legend | Data type |
|--------------|--|
| BOOL | Boolean value |
| INT8 | 8-bit signed integer |
| Padded EPATH | Array of bytes, exact type depends on the place of use |
| SHORT_STRING | Short N byte character string |
| SINT16 | 16-bit signed integer |
| Struct of xx | Structure of an xx type |
| UINT8 | 8-bit unsigned integer |
| UINT16 | 16-bit unsigned integer |

| Legend | Data type |
|--------|-------------------------|
| UINT32 | 32-bit unsigned integer |

■ Identity object, class 01h

This object provides identification of and general information about the device.

Class attributes

Supported services:

- 0x01 – Get attribute all
- 0x0e – Get attribute single

| # | Attribute name | Services | Range, default | Description | Type |
|---|------------------------|----------|----------------|-------------------------------------|--------|
| 1 | Revision | Get | 1...1, 1 | Revision of the identity object | UINT16 |
| 2 | Max instance | Get | 1...1, 1 | Max instance | UINT16 |
| 6 | Max class attribute | Get | 7...7, 7 | Max ID number of class attribute | UINT16 |
| 7 | Max instance attribute | Get | 10...10, 10 | Max ID number of instance attribute | UINT16 |

Instance attributes

Supported services:

- 0x01 – Get attribute all
- 0x05 – Reset
- 0x0e – Get attribute single

| # | Attribute name | Services | Range, default | Description | Type |
|---|----------------|----------|----------------|-------------------------------------|--------|
| 1 | Vendor Id | Get | 46...46, 46 | Identification of the device vendor | UINT16 |
| | | | 46 | ABB Drives Oy | |

| # | Attribute name | Services | Range, default | Description | Type |
|---|----------------|----------|------------------|--|-----------|
| 2 | Device Type | Get | xx...xx, 0x02 | Identification of the general product type | UINT16 |
| | | | 0x02 | ODVA AC Drive | |
| | | | 0x13 | ODVA DC Drive | |
| | | | 0x64 | Vendor Specific AC Drive | |
| | | | | ABB Drives profile | |
| | | | | Transparent 16 | |
| | | | | Transparent 32 | |
| | | | 0x65 | Vendor Specific AC Drive | |
| | | | | ABB Drives profile | |
| | | | | Transparent 16 | |
| | | | | Transparent 32 | |
| | | | 3 | Product Code | Get |
| 4 | Revision | Get | | Revision of the FCNA software | Struct of |
| | | | | Major revision | UINT8 |
| | | | | Minor revision | UINT8 |

| # | Attribute name | Services | Range, default | Description | Type | | | | | | | | | | | | | | | | | | | | | | | | | | |
|---------|--------------------------------------|---------------------------|---|--|-------------------|-----------------|------|-----------|------|-----------------------------|------|---|------|-----------------------------------|------|--------------------------------|------|-------------|------|-------------------|------|------|---------|---|------|--|---------|--------------------------------------|------|--|--|
| 5 | Status | | | Summary of device status | UINT16 | | | | | | | | | | | | | | | | | | | | | | | | | | |
| | | 0 | | Self Test | | | | | | | | | | | | | | | | | | | | | | | | | | | |
| | | | Bit0 | Owned | | | | | | | | | | | | | | | | | | | | | | | | | | | |
| | | | Bit1 | 0 | | | | | | | | | | | | | | | | | | | | | | | | | | | |
| | | | Bit2 | Configured | | | | | | | | | | | | | | | | | | | | | | | | | | | |
| | | | Bit3 | 0 | | | | | | | | | | | | | | | | | | | | | | | | | | | |
| | | | Bit4... Bit7 | Extended device status. | | | | | | | | | | | | | | | | | | | | | | | | | | | |
| | | | | <table border="1"> <thead> <tr> <th>Bit4... Bit7</th> <th>Extended status</th> </tr> </thead> <tbody> <tr> <td>0000</td> <td>Self test</td> </tr> <tr> <td>0001</td> <td>Firmware update in progress</td> </tr> <tr> <td>0010</td> <td>Comm. fault. Can happen if a connection from another node is refused.</td> </tr> <tr> <td>0011</td> <td>Unkeyed, waiting for a connection</td> </tr> <tr> <td>0100</td> <td>Non-volatile configuration bad</td> </tr> <tr> <td>0101</td> <td>Major fault</td> </tr> <tr> <td>0110</td> <td>Connected, active</td> </tr> <tr> <td>0111</td> <td>Idle</td> </tr> <tr> <td>1000...</td> <td>0</td> </tr> <tr> <td>1001</td> <td></td> </tr> <tr> <td>1010...</td> <td>Reserved for product specific states</td> </tr> <tr> <td>1111</td> <td></td> </tr> </tbody> </table> | Bit4... Bit7 | Extended status | 0000 | Self test | 0001 | Firmware update in progress | 0010 | Comm. fault. Can happen if a connection from another node is refused. | 0011 | Unkeyed, waiting for a connection | 0100 | Non-volatile configuration bad | 0101 | Major fault | 0110 | Connected, active | 0111 | Idle | 1000... | 0 | 1001 | | 1010... | Reserved for product specific states | 1111 | | |
| | | Bit4... Bit7 | Extended status | | | | | | | | | | | | | | | | | | | | | | | | | | | | |
| | | 0000 | Self test | | | | | | | | | | | | | | | | | | | | | | | | | | | | |
| | | 0001 | Firmware update in progress | | | | | | | | | | | | | | | | | | | | | | | | | | | | |
| | | 0010 | Comm. fault. Can happen if a connection from another node is refused. | | | | | | | | | | | | | | | | | | | | | | | | | | | | |
| | | 0011 | Unkeyed, waiting for a connection | | | | | | | | | | | | | | | | | | | | | | | | | | | | |
| 0100 | Non-volatile configuration bad | | | | | | | | | | | | | | | | | | | | | | | | | | | | | | |
| 0101 | Major fault | | | | | | | | | | | | | | | | | | | | | | | | | | | | | | |
| 0110 | Connected, active | | | | | | | | | | | | | | | | | | | | | | | | | | | | | | |
| 0111 | Idle | | | | | | | | | | | | | | | | | | | | | | | | | | | | | | |
| 1000... | 0 | | | | | | | | | | | | | | | | | | | | | | | | | | | | | | |
| 1001 | | | | | | | | | | | | | | | | | | | | | | | | | | | | | | | |
| 1010... | Reserved for product specific states | | | | | | | | | | | | | | | | | | | | | | | | | | | | | | |
| 1111 | | | | | | | | | | | | | | | | | | | | | | | | | | | | | | | |
| | Bit8 | Minor Recoverable fault | | | | | | | | | | | | | | | | | | | | | | | | | | | | | |
| | Bit9 | Minor Unrecoverable fault | | | | | | | | | | | | | | | | | | | | | | | | | | | | | |
| | Bit10 | Major Recoverable fault | | | | | | | | | | | | | | | | | | | | | | | | | | | | | |
| | Bit11 | Major Unrecoverable fault | | | | | | | | | | | | | | | | | | | | | | | | | | | | | |
| | | 0 | | | | | | | | | | | | | | | | | | | | | | | | | | | | | |
| 6 | Serial Number | Get | | Serial number of FCNA | UINT32 | | | | | | | | | | | | | | | | | | | | | | | | | | |
| 7 | Product name | Get | | Product identification. Max 32 characters, ie, "ACS880" | SHORT_STRING | | | | | | | | | | | | | | | | | | | | | | | | | | |
| | | | | Number of characters in array | UINT8 | | | | | | | | | | | | | | | | | | | | | | | | | | |
| | | | | Product identification | Array of UINT8 | | | | | | | | | | | | | | | | | | | | | | | | | | |

■ Assembly object, class 04h

The Assembly object binds attributes of multiple objects, which allows data to or from each object to be sent or received over a single connection. Assembly objects can be used to bind input data or output data. The terms "input" and "output" are defined from the network's point of view. An input will produce data on the network and an output will consume data from the network.

Class attributes

Supported services: 0x0e – Get attribute single

| # | Attribute name | Services | Range, default | Description | Type |
|---|----------------|----------|----------------|---------------------------------|--------|
| 1 | Revision | Get | 1...1, 1 | Revision of the assembly object | UINT16 |

Instance attributes

Supported services:

- 0x0e – Get attribute single
- 0x10 – Set attribute single

| # | Attribute name | Services | Range, default | Description | Type |
|---|----------------|----------|----------------|---------------------------|----------------|
| 3 | Assembly Data | Get, Set | | Data of instance assembly | Array of UINT8 |

Output assemblies

| # | Profile | Assembly name |
|-----|------------|---|
| 20 | ODVA AC/DC | Basic speed control |
| 21 | ODVA AC/DC | Extended speed control |
| 22 | ODVA AC/DC | Basic speed and torque control |
| 23 | ODVA AC/DC | Extended speed and torque control |
| 121 | ODVA AC/DC | Basic speed control plus drive parameters |
| 122 | ODVA AC/DC | Basic speed and torque control plus drive parameters |
| 123 | ODVA AC/DC | Extended speed and torque control plus drive parameters |
| 124 | ODVA AC/DC | User specific drive parameters assembly up to 32 words |

| # | Profile | Assembly name |
|-----|-----------------|--|
| 1 | ABB Drives | Speed |
| 2 | ABB Drives | Speed and torque |
| 101 | ABB Drives | Speed plus drive parameters |
| 102 | ABB Drives | Speed and torque plus drive parameters |
| 103 | ABB Drives | User specific drive parameters assembly up to 32 words |
| 11 | Transparent T16 | Transparent 16 with one assembly |
| 12 | Transparent T16 | Transparent 16 with two assembly |
| 111 | Transparent T16 | Transparent 16 with one plus drive parameters |
| 112 | Transparent T16 | Transparent 16 with two plus drive parameters |
| 21 | Transparent T32 | Transparent 32 with one assembly |
| 22 | Transparent T32 | Transparent 32 with two assembly |
| 121 | Transparent T32 | Transparent 32 with one plus drive parameters |
| 122 | Transparent T32 | Transparent 32 with two plus drive parameters |

Input assemblies

| # | Profile | Assembly name |
|-----|-----------------|---|
| 70 | ODVA AC/DC | Basic speed control |
| 71 | ODVA AC/DC | Extended speed control |
| 72 | ODVA AC/DC | Basic speed and torque control |
| 73 | ODVA AC/DC | Extended speed and torque control |
| 171 | ODVA AC/DC | Basic speed control plus drive parameters |
| 172 | ODVA AC/DC | Basic speed and torque control plus drive parameters |
| 173 | ODVA AC/DC | Extended speed and torque control plus drive parameters |
| 174 | ODVA AC/DC | User specific drive parameters assembly up to 32 words |
| 51 | ABB Drives | Speed |
| 52 | ABB Drives | Speed and torque |
| 151 | ABB Drives | Speed plus drive parameters |
| 152 | ABB Drives | Speed and torque plus drive parameters |
| 153 | ABB Drives | User specific drive parameters assembly up to 32 words |
| 61 | Transparent T16 | Transparent 16 with one assembly |
| 62 | Transparent T16 | Transparent 16 with two assembly |

| # | Profile | Assembly name |
|-----|-----------------|---|
| 161 | Transparent T16 | Transparent 16 with one plus drive parameters |
| 162 | Transparent T16 | Transparent 16 with two plus drive parameters |
| 71 | Transparent T32 | Transparent 32 with one assembly |
| 72 | Transparent T32 | Transparent 32 with two assembly |
| 171 | Transparent T32 | Transparent 32 with one plus drive parameters |
| 172 | Transparent T32 | Transparent 32 with two plus drive parameters |

■ Connection manager, class 06h

The Connection manager class allocates and manages the internal resources associated with both I/O and Explicit messaging connections. The specific instance generated by the Connection manager class is referred to as a Connection instance or a Connection object.

Class attributes

Supported services:

- 0x0E – Get Attribute Single
- 0x01 – Get Attributes All

There are no class attributes.

Instance attributes

Supported services:

- 0x54 – Forward Open
- 0x4E – Forward Close

| # | Attribute name | Services | Range, default | Description | Type |
|---|---------------------|----------|----------------|--|--------|
| 1 | Open requests | Set | | Number of Forward Open service requests received. | UINT16 |
| 2 | Open format rejects | Set | | Number of Forward Open service requests which were rejected due to bad format. | UINT16 |

| # | Attribute name | Services | Range, default | Description | Type |
|---|-----------------------|----------|----------------|---|--------|
| 3 | Open resource rejects | Set | | Number of Forward Open service requests which were rejected due to lack of resources. | UINT16 |
| 4 | Open other rejects | Set | | Number of Forward Open service requests which were rejected for reasons other than bad format or lack of resources. | UINT16 |
| 5 | Close requests | Set | | Number of Forward Close service requests received. | UINT16 |
| 6 | Close format requests | Set | | Number of Forward Close service requests which were rejected due to bad format. | UINT16 |
| 7 | Close other requests | Set | | Number of Forward Close service requests which were rejected for reasons other than bad format. | UINT16 |
| 8 | Connection timeouts | Set | | Total number of connection timeouts that have occurred in connections controlled by this Connection Manager | UINT16 |

| # | Attribute name | Services | Range, default | Description | Type |
|----|-----------------------|----------|----------------|--|---------------|
| 9 | Connection entry list | Get | | List of Connections | STRUCT of |
| | NumConnEntries | | | Number of connection entries. This attribute, divided by 8 and rounded up for any remainder, gives the length of the array (in bytes) of the ConnOpenBits field of this structure. | UINT |
| | ConnOpenBits | | | List of connection data which may be individually queried by the Get/Search Connection Data Services. Each bit represents a possible connection. | ARRAY of BOOL |
| 11 | CPU_Utilization | Get | | CPU Utilization in tenths of a percent. | UINT16 |
| 12 | MaxBuffSize | Get | | Amount of buffer space originally available. | UINT32 |
| 13 | BufSize Remaining | Get | | Amount of buffer space available at this time. | UINT32 |

■ Motor data, class 28h

This object serves as a database for motor parameters.

Class attributes

Supported services: 0x0e – Get attribute single

| # | Attribute name | Services | Range, default | Description | Type |
|---|----------------|----------|----------------|---------------------------------------|--------|
| 1 | Revision | Get | 1...1, 1 | Revision of the Motor Data object | UINT16 |
| 2 | Max instance | Get | 1...1, 1 | Max Instance of the Motor Data object | UINT16 |

Instance attributes

Supported services:

- 0x0e – Get attribute single
- 0x10 – Set attribute single

| # | Attribute name | Services | Range, default | Description | Type |
|----|-----------------|----------|----------------|--|--------|
| 3 | Motor Type | Get | AC/DC | Motor type | UINT16 |
| | | | 1 | PM DC Motor | |
| | | | 2 | FC DC Motor | |
| | | | 3 | PM Synchronous motor | |
| | | | 6 | Wound rotor induction motor | |
| | | | 7 | Squirrel cage induction motor | |
| 6 | Rated Current | Get, Set | AC/DC | Rated Stator Current from motor name plate Unit: [100mA] | UINT16 |
| 7 | Rated Voltage | Get, Set | AC/DC | Rated Voltage from motor name plate Unit: [V] | UINT16 |
| 8 | Rated Power | Get, Set | AC/DC | Rated Power at Rated Frequency Unit: [W] | UINT32 |
| 9 | Rated Frequency | Get, Set | AC | Rated Electrical Frequency Unit: [Hz] | UINT16 |
| 12 | Pole Count | Get, Set | AC | Number of poles in the motor | UINT16 |
| 15 | Base Speed | Get, Set | AC/DC | Nominal speed at rated frequency from motor name plate Unit: [RPM] | UINT16 |

■ Control supervisor, class 29h

Note: The Control supervisor object class is supported only when the ODVA AC/DC drive profile is used.

Class attributes

Supported services: 0x0e – Get attribute single

| # | Attribute name | Services | Range, default | Description | Type |
|---|----------------|----------|----------------|---|--------|
| 1 | Revision | Get | 1...1, 1 | Revision of the Control Supervisor object | UINT16 |
| 2 | Max instance | Get | 1...1, 1 | Max Instance of the Control Supervisor object | UINT16 |

Instance attributes

Supported services:

- 0x05 – Reset
- 0x0e – Get attribute single
- 0x10 – Set attribute single

| # | Attribute name | Services | Range, default | Description | Type |
|---|----------------|----------|----------------|-----------------|------|
| 3 | Run 1 | Get, Set | 0...1, 0 | | BOOL |
| | | | 0 | Stop | |
| | | | 1 | Run | |
| 4 | Run 2 | Get, Set | 0...1, 0 | | BOOL |
| | | | 0 | Stop | |
| | | | 1 | Run | |
| 5 | Net Control | Get, Set | 0...1, 0 | | BOOL |
| | | | 0 | Local control | |
| | | | 1 | Network control | |

| # | Attribute name | Services | Range, default | Description | Type |
|----|----------------|----------|----------------|--|--------|
| 6 | State | Get | 0...7, 0 | Status of drive | UINT8 |
| | | | 2 | Not_Ready | |
| | | | 3 | Ready | |
| | | | 4 | Enabled | |
| | | | 5 | Stopping | |
| | | | 7 | Faulted | |
| 7 | Running 1 | Get | 0...1, 0 | | BOOL |
| | | | 0 | Stopped | |
| | | | 1 | Running | |
| 8 | Running 2 | Get | 0...1, 0 | | BOOL |
| | | | 0 | Stopped | |
| | | | 1 | Running | |
| 9 | Ready | Get | 0...1, 0 | | |
| | | | 0 | Other state | BOOL |
| | | | 1 | Ready or Enabled or Stopping | |
| 10 | Faulted | Get | 0...1, 0 | | BOOL |
| | | | 0 | No fault | |
| | | | 1 | Fault occurred | |
| 11 | Warning | Get | 0...1, 0 | | |
| | | | 0 | No warning | BOOL |
| | | | 1 | Warning | |
| 12 | FaultRst | Get, Set | 0...1, 0 | | BOOL |
| | | | 0 → 1 | Fault reset | |
| 13 | Fault Code | Get | 0 | Fault code that caused the last transition to the Faulted state. Fault code coming directly from the drive without conversion. | UINT16 |

| # | Attribute name | Services | Range, default | Description | Type |
|----|----------------|----------|----------------|--|--------|
| 14 | Warning Code | Get | 0 | Code word indicating a warning. If there are multiple warnings, the lowest code value is displayed. Fault code coming directly from the drive without conversion. | UINT16 |
| 15 | CtlFromNet | Get | 0...1, 0 | Status of Run/Stop control source. | BOOL |
| | | | 0 | Local control | |
| | | | 1 | Network control | |
| 16 | DNFaultMode | Get, Set | 2 | Vendor-specific | UINT8 |
| 17 | ForceFault | | 0...1, 0 | | BOOL |
| | | | 0 → 1 | Forces the drive to fault | |
| 20 | NetIdleMode | Get | 2...2, 2 | | UINT8 |
| | | | 2 | Vendor-specific | |

■ AC/DC drive, class 2Ah

This object models the functions specific to an AC or a DC drive, for example, speed ramp and torque control.

Note: The AC/DC drive object class is supported only when the ODVA AC/DC drive profile is used.

Class attributes

Supported services: 0x0e – Get attribute single

| # | Attribute name | Services | Range, default | Description | Type |
|---|----------------|----------|----------------|--|--------|
| 1 | Revision | Get | 1...1, 1 | Revision of the AC/DC drive object | UINT16 |
| 2 | Max instance | Get | 1...1, 1 | Max Instance of the AC/DC drive object | UINT16 |

Instance attributes

Supported services:

- 0x0e – Get attribute single
- 0x10 – Set attribute single

| # | Attribute name | Services | Range, default | Description | Type |
|---|----------------|----------|----------------|--|--------|
| 3 | At reference | Get | 0...1, 0 | | BOOL |
| | | | 0 | Actual Speed or Torque is out of Reference window | |
| | | | 1 | Drive Actual At reference (speed or torque reference) based on mode | |
| 4 | NetRef | Get, Set | 0...1, 1 | Request torque or speed reference to be local or from the network | BOOL |
| | | | 0 | Set Reference not CN Control | |
| | | | 1 | Set Reference at CN Control | |
| 5 | Net Control | Get, Set | 0...1, 0 | | BOOL |
| | | | 0 | Local control | |
| | | | 1 | Network control | |
| 6 | Drive Mode | Get, Set | 0...0, 0 | | UINT8 |
| | | | 0 | Vendor-specific | |
| 7 | Speed Actual | Get | | Actual drive speed Units: RPM / $2^{\text{SpeedScale}}$ where SpeedScale is attribute 22 | SINT16 |
| 8 | SpeedRef | Get | | Speed reference Units: RPM / $2^{\text{SpeedScale}}$ where SpeedScale is attribute 22 | SINT16 |

| # | Attribute name | Services | Range, default | Description | Type |
|----|----------------|----------|-------------------|---|--------|
| 11 | Torque Actual | Get | | Actual torque Units: $\text{Nm} / 2^{\text{TorqueScale}}$ where TorqueScale is attribute 24 | SINT16 |
| 12 | TorqueRef | Get, Set | | Torque reference Units: $\text{Nm} / 2^{\text{TorqueScale}}$ where TorqueScale is attribute 24 | SINT16 |
| 18 | AccelTime | Get, Set | | Acceleration time in milliseconds | SINT16 |
| 19 | DecelTime | Get, Set | | Deceleration time in milliseconds. | SINT16 |
| 22 | SpeedScale | Get, Set | -128... 127, 0 | Speed scaling factor. Scaling is accomplished as follows: $\text{ScaledSpeed} = \text{RPM} / 2^{\text{SpeedScale}}$ | INT8 |
| 24 | TorqueScale | Get, Set | -128... 127, 0 | Torque scaling factor. Scaling is accomplished as follows: $\text{ScaledTorque} = \text{Nm} / 2^{\text{TorqueScale}}$ | INT8 |
| 29 | Ref From Net | Get | | Status of torque/speed reference | BOOL |
| | | | 0 | Local torque/speed reference | |
| | | | 1 | Network torque/speed reference | |

■ Drive parameter, class 90h

Class attributes

Supported services: 0x0e – Get attribute single

| # | Attribute name | Services | Range, default | Description | Type |
|---|----------------|----------|--------------------|--|--------|
| 1 | Revision | Get | 1...1, 1 | Revision of the Drive Parameter object | UINT16 |
| 2 | Max instance | Get | 254... 254, 254 | Max Instance of the Drive Parameter object | UINT16 |

Instance attributes

Supported services:

- 0x0e – Get attribute single
- 0x10 – Set attribute single

The instance and attribute correspond to drive parameter Group and Index as follows:

- Instance = Parameter Group (0...255)
- Attribute = Parameter Index (0...255)

■ Fieldbus configuration, class 91h

Class attributes

Supported services: 0x0e – Get attribute single

| # | Attribute name | Services | Range, default | Description | Type |
|---|----------------|----------|--------------------|---|--------|
| 1 | Revision | Get | 1...1, 1 | Revision of the Fieldbus Configuration object | UINT16 |
| 2 | Max instance | Get | 254... 254, 254 | Max Instance of the Fieldbus Configuration object | UINT16 |

Instance attributes

Supported services:

- 0x0e – Get attribute single
- 0x10 – Set attribute single

| Instance 1 | | | | | |
|------------|---|----------|----------------|---|--------|
| # | Attribute name | Services | Range, default | Description | Type |
| 1... 27 | Configuration Group #1 – Parameter 1...27 | Get, Set | | See section Drive configuration . | UINT16 |

| Instance 2 | | | | | |
|------------|---|----------|----------------|-------------|----------------------|
| # | Attribute name | Services | Range, default | Description | Type |
| 1... 12 | Configuration Group #2 – Parameter 1...12 | Get, Set | | DATA OUT | UINT16 ¹⁾ |

¹⁾ In ACS880 UINT32

| Instance 3 | | | | | |
|------------|---|----------|----------------|-------------|----------------------|
| # | Attribute name | Services | Range, default | Description | Type |
| 1... 12 | Configuration Group #3 – Parameter 1...12 | Get, Set | | DATA IN | UINT16 ¹⁾ |

¹⁾ In ACS880 UINT32

■ ControlNet, class F0h

The ControlNet object provide a consistent Station Management interface to the Physical and Data Link Layers.

Class attributes

Supported services:

- 0x0E – Get Attribute Single
- 0x01 – Get Attributes All

| # | Attribute name | Services | Range, default | Description | Type |
|---|----------------|----------|----------------|-------------------------|-------|
| 1 | Revision | Get | | Revision of this object | UINT |
| 2 | Max instance | Get | | Maximum instance number | UDINT |

Instance attributes

Supported services:

- 0x0E – Get Attribute Single
- 0x05 – Reset
- 0x01 – Get Attributes All
- 0x10 – Set Attribute Single
- 0x4C – Get And Clear
- 0x4D – Listen Only
- 0x4E – Where Am I

| # | Attribute name | Services | Range, default | Description | Type |
|----------|---------------------|----------|----------------|---------------------------------------|---------------------|
| 80 | Pending_Link_Config | Get | | Pending link configuration parameters | STRUCT of: 34 bytes |
| | Link_Config | | | Pending link parameters | STRUCT of: 12 bytes |
| | NUT_length | | | DLL NUT_length | UINT |
| | smax | | | DLL smax | USINT |
| | umax | | | DLL umax | USINT |
| | slotTime | | | DLL slotTime | USINT |
| | blanking | | | DLL blanking | USINT |
| | gb_start | | | DLL gb_start | USINT |
| | gb_center | | | DLL gb_center | USINT |
| | reserved | | | reserved | UINT |
| | modulus | | | DLL modulus | USINT |
| | gb_prestart | | | DLL gb_prestarts | USINT |
| | TUI | | | Keeper TUI | STRUCT of: 22 bytes |
| | unique_ID | | | Keeper CRC | UDINT |
| | status_flag | | | TUI flag | UINT |
| reserved | | Reserved | USINT [16] | | |
| 81 | current_link_config | Get | | Current link configuration parameters | STRUCT of: 34 bytes |

| # | Attribute name | Services | Range, default | Description | Type |
|----|-------------------------------|--------------------|----------------|--|---------------------|
| 82 | diagnostic_counters | Get, Get and Clear | | Diagnostic counters | STRUCT of: 42 bytes |
| | buffer_errors | | | Buffer event counter | UINT |
| | error_log | | | Bad MAC frame log | BYTE[8] |
| | event_counters | | | Diagnostic counters | STRUCT of: 32 bytes |
| | good_frames_transmitted | | | Good MAC frames transmitted (LSB first) | BYTE[3] |
| | good_frames_received | | | Good MAC frames received (LSB first) | BYTE[3] |
| | selected_channel_frame_errors | | | Framing errors detected on an active receive channel | USINT |
| | channel_A_frame_errors | | | Framing errors detected on channel A | USINT |
| | channel_B_frame_errors | | | Framing errors detected on channel B | USINT |
| | aborted_frames_transmitted | | | MAC frames aborted during transmission (transmit underflows) | USINT |
| | highwaters | | | LLC transmit underflow and LLC receive overflow | USINT |
| | NUT_overloads | | | No unscheduled time in NUT (all time used for scheduled transmissions) | USINT |
| | slot_overloads | | | More scheduled data queued for one NUT than allowed by the sched_max_frame parameter | USINT |

| # | Attribute name | Services | Range, default | Description | Type |
|---|-------------------------|----------|----------------|--|---------|
| | blockages | | | Single Lpacket size exceeds the sched_max_frame parameter | USINT |
| | non_concurrence | | | Two or more nodes could not agree whose turn it is to transmit | USINT |
| | aborted_frames_received | | | Incomplete MAC frames received | USINT |
| | lonely_counter | | | Number of times nothing heard on a network for 8 or more NUTs | USINT |
| | duplicate_node | | | MAC frame received from a node with local node's MAC ID | USINT |
| | noise_hits | | | Noise detected that locked the modem rx PLL | USINT |
| | collisions | | | Rx data heard just as we were going to transmit | USINT |
| | mod_MAC_ID | | | MAC ID of the current moderator node | USINT |
| | non_lowman_mods | | | Moderator frames heard from non-lowman nodes | USINT |
| | rogue_count | | | Rogue events detected | USINT |
| | unheard_moderator | | | MAC frames being heard but no moderators being heard | USINT |
| | vendor_specific | | | Vendor specific | USINT |
| | reserved | | | Reserved | BYTE[4] |

| # | Attribute name | Services | Range, default | Description | Type |
|----|-----------------|----------|----------------|---|---------------------|
| 83 | station_status | Get | | Station status | STRUCT of: 6 bytes |
| | MAC_ver | | | MAC implementation and implementation revision | BYTE |
| | vendor_specific | | | Vendor specific | BYTE[4] |
| | channel_state | | | Channel state LEDs, redundancy warning, and active channel bits | BYTE |
| 84 | MAC_ID | Get, Set | | MAC ID switch and current settings | STRUCT of: 4 bytes |
| | MAC_ID_current | | | Current MAC ID | USINT |
| | MAC_ID_switches | | | MAC ID switch settings | USINT |
| | MAC_ID_changed | | | MAC ID switches changed since reset | BOOL |
| | Reserved | | | Reserved | USINT |
| 85 | Sched_max_frame | Get, Set | | Scheduled data limit | STRUCT of: 2 bytes |
| | Sched_max_frame | | | Scheduled maximum frame | USINT |
| | Reserved | | | Reserved | USINT |
| 86 | Error log | Get | | Driver firmware buffer error counts and troublesome node list | STRUCT of: 10 bytes |
| | buffer_errors | | | Buffer event counter | UINT |
| | error_log | | | Bad MAC frame log | BYTE[8] |

| # | Attribute name | Services | Range, default | Description | Type |
|----|------------------------------|--------------------|----------------|---|------------------------------------|
| 87 | extended_diagnostic_counters | Get, Get and Clear | | Additional diagnostic counters | STRUCT of: 264 bytes |
| | unsched_transmitted | | | Number of unscheduled packets transmitted | UDINT |
| | sched_highwater | | | Max number of shared/unscheduled packets in a transmit queue | UDINT |
| | sched_data | | | Schedule information | 128 STRUCT of: 2 bytes (256 bytes) |
| | words_in_use | | | Number of scheduled words in use by this node this NUT | USINT |
| | Lpkt_in_use | | | Number of scheduled Lpackets in use by this node this NUT | USINT |
| 88 | Active_node_table | Get | | One bit for each MAC ID 1 = node present 0 = node missing | ARRAY of: 32 bytes |
| 89 | New_node_table | Get | | One bit for each MAC ID 1 = node has joined link recently 0 = node has not joined link recently | ARRAY of: 32 bytes |

■ Keeper, class F1h

The Keeper object holds the link attributes for all ControlNet devices on a link and is responsible for distributing those attributes to those devices in an orderly fashion. It also holds (for link scheduling software) a copy of the connection originator data for all connection originator devices using a network. If there are multiple Keeper objects on a link, they perform negotiations to determine

which Keeper is the Master Keeper and which Keeper(s) perform backup Keeper responsibilities. The Master Keeper is the Keeper actively distributing attributes to the nodes on the network. A backup Keeper is one that monitors Keeper-related network activity and can transition into the role of Master Keeper should the Master Keeper fail to perform.

The Keeper object also contains support for obtaining, holding, and releasing the Network Resource, a network semaphore that is used to eliminate conflicts when modifying the attribute data held by the Keeper object(s) on a ControlNet link.

Class attributes

Supported service: 0x0E – Get Attribute Single

| # | Attribute name | Services | Range, default | Description | Type |
|---|----------------|----------|----------------|-------------------------|------|
| 1 | Revision | Get | | Revision of this object | UINT |

Instance attributes

Supported services:

- 0x0E – Get Attribute Single
 - 0x03 – Get Attribute List
 - 0x04 – Set Attribute List
 - 0x10 – Set Attribute Single
 - 0x4B – Get Network Resource
 - 0x4C – Hold Network Resource
 - 0x4D – Release Network Resource
 - 0x4E – Change Start
 - 0x4F – Change Complete
 - 0x50 – Change Abort
 - 0x51 – Get Signature
 - 0x52 – Get Attribute Fragment
 - 0x53 – Set Attribute Fragment
-

| # | Attribute name | Services | Range, default | Description | Type |
|----|-----------------------------|----------|-----------------------------|--------------------------------|--------------------|
| 0 | status | Get | | Keeper object status | STRUCT of: 2 bytes |
| | state | | 0...13 | Current keeper operating state | USINT |
| | | | 0 | Power up - not on line | |
| | | | 1 | Power up - TUI wait | |
| | | | 2 | Power up - TUI poll | |
| | | | 3 | Backup | |
| | | | 4 | Master verify | |
| | | | 5 | Master | |
| | | | 6 | Faulted backup | |
| | | | 7 | Faulted master verify | |
| | | | 8 | Faulted master | |
| | | | 9 | Net change - backup | |
| | | | 10 | Net change - master | |
| | | | 11 | Net change - faulted Backup | |
| 12 | Net change - faulted master | | | | |
| | reserved | | Reserved for data alignment | USINT | |

| # | Attribute name | Services | Range, default | Description | Type |
|----|----------------|----------|----------------|--|---------------------|
| 1 | port_status | Get, Set | | Port status for node 1 through node 99 | STRUCT of: 10 bytes |
| | port_status | | | Port status | UINT |
| | ID | | | Node type identification | STRUCT of: 8 bytes |
| | vendor | | | Vendor-specific | UINT |
| | type | | | Product type | UINT |
| | code | | | Product code | UINT |
| | major | | | Major revision | USINT |
| | minor | | | Minor revision | USINT |
| FF | net_config | Get, Set | | Current network parameters | STRUCT of: 12 bytes |
| | NUT | | | Network Update Time | UINT |
| | smax | | | Scheduled max node ID | USINT |
| | umax | | | Unscheduled max node ID | USINT |
| | Slot_Time | | | Slot time | USINT |
| | Blank_Time | | | Blanking time | USINT |
| | Gb_Start | | | Guard band start | USINT |
| | Gb_Center | | | Guard band centre | USINT |
| | Reserved | | | Reserved for data alignment | UINT |
| | Int_Cnt mod | | | Interval count modulus (macrocycle length) | USINT |
| | Gb_Prestart | | | Guard band prestart | USINT |
| | 100 | | name | Get, Set | |

| # | Attribute name | Services | Range, default | Description | Type |
|-----|----------------------------|----------|----------------|--|---------------------|
| 101 | RT_TUI | Get, Set | | Table unique identifier | STRUCT of 22 bytes |
| | unique_ID | | | Attribute CRC | UDINT |
| | status_flag | | | TUI flag bits | UINT |
| | reserved | | | Reserved to allow common format with attribute 0x102 | USINT [16] |
| 102 | Link_Tui | Get | | Table unique identifier (current link only) | STRUCT of: 22 bytes |
| | unique_ID | | | Attribute CRC | UDINT |
| | status_flag | | | TUI flag bits | UINT |
| | Keeper_MAC_ID | | | MAC ID of node broadcasting the TUI | USINT |
| | reserved | | | Reserved for data alignment | USINT |
| | Net_Resource_Vendor_Id | | | Vendor ID of object holding net resource | UINT |
| | Net_Resource_Serial_Number | | | Serial number of object holding net resource | UDINT |
| | Net_Resource_Class | | | Class of object holding net resource | UDINT |
| | Net_Resource_Instance | | | Instance of object holding net resource | UDINT |

| # | Attribute name | Services | Range, default | Description | Type |
|-----|--------------------------|----------|----------------|--|-------------------------------|
| 103 | Cable_Config | Get, Set | | Current cable configuration | STRUCT of: up to 100 bytes |
| | Id | | | Id value | USINT |
| | Num_Elements | | | Number of cable configuration elements in network configuration | USINT |
| | Propagation_time | | | Number of 100 nanosecond ticks | UINT |
| | Physical element | | | | Phy element [24] |
| | Phy_element | | | | STRUCT of: 4 bytes |
| | Vendor_id | | | Vendor code | UINT |
| | Product_code | | | Product code | USINT |
| | How_many | | | | USINT |
| 104 | CO_summary | Get, Set | | General information about the <i>co_data</i> attribute | STRUCT of 204 bytes |
| | Data_size | | | Size of the <i>co_data</i> attribute | UINT |
| | connection_info_revision | | | | USINT |
| | tool_keeper_revision | | | Highest level <i>co_data</i> parse rule supported | USINT |
| | Offsets | | | Array of word offsets into the <i>co_data</i> attribute, by MAC ID | UINT [100] |

| # | Attribute name | Services | Range, default | Description | Type |
|-----|----------------|------------------|----------------|---|------------------------------|
| 105 | CO_data | Set/Get fragment | | Connection originator information | STRUCT of: up to 14988 bytes |
| | Branch | | | Information relative to all routers, gateways, or connection originators on this link | STRUCT of: variable size |
| | num_devices | | | Number of devices on this link | UINT |
| | device | | | Details of this device | STRUCT of: variable size |
| | Type | | | Types of device | USINT |
| | Path_Size | | | Size of path to node | USINT |
| | Path | | | Path to device | array of UINT |
| | CO_data | | | Details of CO data | STRUCT of: variable size |
| | COP | | | CO password, as provided to the CO at the end of a scheduling session (see 242.3.10) | UDINT |
| | Size | | | Size of conn data | UINT |
| | Connection | | | Connection data | STRUCT of variable size |

■ Connection configuration, class F3h

This object defines an interface used to create, configure and control CIP connections in a device.

Class attributes

Supported services:

- 0x01 – Get Attributes All
- 0x02 – Set Attributes All
- 0x08 – Create
- 0x09 – Delete
- 0x0e – Get Attribute Single
- 0x10 – Set Attribute Single
- 0x15 – Restore
- 0x4b – Kick Watchdog
- 0x4c – Open Connection
- 0x4d – Close Connection
- 0x4e – Stop Connection
- 0x4f – Change Start
- 0x50 – Get Status
- 0x51 – Change Complete (Write to flash)
- 0x52 – Audit change

| # | Attribute name | Services | Range, default | Description | Type |
|---|---------------------|----------|----------------|--|-------|
| 1 | Revision | Get | | Revision | UINT |
| 2 | Max instance | Get | | Maximum instant number | UDINT |
| 3 | Number of instances | Get | | Number of connections currently instantiated | UDINT |
| 8 | Format Number | Get | | | UINT |
| 9 | Edit Signature | Get | | | UDINT |

Instance attributes

Supported services:

- 0x01 – Get Attributes All
- 0x02 – Set Attributes All
- 0x08 – Create
- 0x09 – Delete
- 0x0e – Get Attribute Single
- 0x10 – Set Attribute Single
- 0x15 – Restore
- 0x4c – Open Connection
- 0x4d – Close Connection
- 0x4e – Stop Connection

| # | Attribute name | Services | Range, default | Description | Type |
|---|----------------------|----------|----------------|--|----------------|
| 6 | Connection Path | Set | | | Struct of |
| | open_path_size | | | Open connection path size | USINT |
| | reserved | | | Reserved | USINT |
| | open_connection_path | | | Connection path | Padded EPATH |
| 7 | Proxy Config Data | Set | | | Struct of |
| | config_data_size | | | Length of config_data in bytes | UINT |
| | config_data | | | Proxy Config data | Array of octet |
| 8 | Connection Name | Set | | | Struct of |
| | name_size | | | Number of characters in the connection name | USINT |
| | reserved | | | Reserved | USINT |
| | connection_name | | | User-assigned connection name encoded in UNICODE | STRING2 |

| # | Attribute name | Services | Range, default | Description | Type |
|----|--------------------|----------|----------------|---|----------------|
| 9 | I/O Mapping | Set | | | Struct of |
| | format_number | | | This number determines the format of this attribute | UINT |
| | mapping_data_size | | | Size in bytes of the mapping_data field that follows | UINT |
| | mapping_data | | | I/O mapping information associated with this instance | Array of BYTE |
| 10 | Target Config Data | Set | | | Struct of |
| | config_data_size | | | Length of config_data in bytes | UINT |
| | config_data | | | Target config data | Array of octet |
| 11 | Proxy Device ID | Set | | | Struct of |
| | vendor_id | | | Vendor ID | UINT |
| | product_type | | | Device type | UINT |
| | product_code | | | Product code | UINT |
| | major_rev | | | Major revision | USINT |
| | minor_rev | | | Minor revision | USINT |

■ Port, class F4h

The Port object enumerates the CIP ports present on the device. One instance exists for each CIP port.

Class attributes

Supported services:

- 0x01 – Get attribute all
- 0x0e – Get attribute single

| # | Attribute name | Services | Range, default | Description | Type |
|---|----------------|----------|----------------|-----------------------------|--------|
| 1 | Revision | Get | 1...1, 1 | Revision of the Port object | UINT16 |

| # | Attribute name | Services | Range, default | Description | Type |
|---|--------------------|----------|----------------|--|--------------------|
| 2 | Max instance | Get | 1...1, 1 | Max Instance of the Port object | UINT16 |
| 3 | Num Instances | Get | 1...1, 1 | Number of ports currently instantiated | UINT16 |
| 8 | Entry Point | Get | 1...1, 1 | Returns the instance of the Port object that describes the port through which this request entered the device. | UINT16 |
| 9 | Port Instance Info | Get | | Array of structures containing instance attributes 1 and 2 from each instance. | ARRAY of STRUCT of |
| | | | | Port type. Enumerates the type of port. | UINT16 |
| | | | | Port number. CIP port number associated with this port. | UINT16 |

Instance attributes

Supported services:

- 0x01 – Set attribute all
- 0x0e – Get attribute single

| # | Attribute name | Services | Range, default | Description | Type |
|---|----------------|----------|----------------|---|--------|
| 1 | Port Type | Get | 0...3, 2 | Type of port | UINT16 |
| | | | 0 | Connection terminates in this device | |
| | | | 2 | ControlNet | |
| | | | 3 | ControlNet redundant | |
| 2 | Port Number | Get | 2...2, 2 | CIP port number associated with this port | UINT16 |

| # | Attribute name | Services | Range, default | Description | Type |
|---|----------------|----------|----------------|---|--------------|
| 3 | Link Object | Get | | Link object | Struct of |
| | | | | Path length. Number of 16-bit words in the following path. | UINT16 |
| | | | | Link path. Logical path segments that identify the object for this port. | Padded EPATH |
| 4 | Port Name | Get | | String which names the physical network port. Note: The connection through a NAP port cannot be identified. Port A connected through Port A. Port B connected through Port B. | SHORT_STRING |
| 7 | Node Address | Get | | Node number of this device on a port. FCNA reports a zero length node address within the port segment. | |

■ Base energy object, class 4Eh

Class attributes

Supported service: 0x0e – Get attribute single

| # | Attribute name | Services | Range, default | Description | Type |
|---|----------------|----------|----------------|----------------------------|--------|
| 1 | Revision | Get | 1...1, 1 | Revision of the object | UINT16 |
| 2 | Max Instance | Get | 1...1, 1 | Max instance of the object | UINT16 |

Instance attributes

Supported service: 0x0e – Get attribute single

| # | Attribute name | Services | Range, default | Description | Type |
|----|--------------------------|----------|----------------|--|-----------------|
| 1 | Energy/ Resource type | Get | 1...1, 1 | Specifies the type of energy managed by this energy instance | UINT16 |
| | | | 1 | Electrical | |
| 2 | Capabilities | Get | 0...0, 0 | Energy capabilities of the device. 0 - Energy measured | UINT16 |
| 3 | Accuracy | Get | 0...0, 0 | Specifies the accuracy of power and energy metering results | UINT16 |
| | | | 0 | Undefined | |
| 7 | Consumed Energy | Get | | Consumed energy value in kWh | Array of UINT16 |
| 8 | Produced Energy | Get | | Produced energy value in kWh | Array of UINT16 |
| 12 | Path | | | Array of Paths to Energy objects to be aggregated | EPATH |

■ **Electrical energy object, class 4Fh**
Class attributes

Supported service: 0x0e – Get attribute single

| # | Attribute name | Services | Range, default | Description | Type |
|---|----------------|----------|----------------|----------------------------|--------|
| 1 | Revision | Get | 1...1, 1 | Revision of the object | UINT16 |
| 2 | Max Instance | Get | 1...1, 1 | Max Instance of the object | UINT16 |

Instance attributes

Supported service: 0x0e – Get attribute single

| # | Attribute name | Services | Range, default | Description | Type |
|----|-----------------------|----------|----------------|--|-----------------|
| 1 | Real Energy Consumed | Get | | Total real energy consumed | Array of UINT16 |
| 2 | Real Energy Generated | Get | | Total real energy generated | Array of UINT16 |
| 12 | Average Current | Get | 0...0, 0 | Drive output current | INT32 |
| 19 | L1-L2 voltage | Get | 0 | RMS L1 to L2 voltage | INT32 |
| 20 | L2-L3 voltage | Get | | RMS L2 to L3 voltage | INT32 |
| 21 | L3-L1 voltage | Get | | RMS L3 to L1 voltage | INT32 |
| 40 | Phase Rotation | Get | 0...2, 1 | Phase rotation of a three-phase system 0 = None 1 = ABC 2 = ACB | UINT16 |
| 41 | Path | | | Path to associated Base energy object instance | EPATH |

■ Non-electrical energy object, class 50h**Class attributes**

Supported service: 0x0e – Get attribute single

| # | Attribute name | Services | Range, default | Description | Type |
|---|----------------|----------|----------------|----------------------------|--------|
| 1 | Revision | Get | 1...1, 1 | Revision of the object | UINT16 |
| 2 | Max Instance | Get | 1...1, 1 | Max Instance of the object | UINT16 |

Instance attributes

Supported service: 0x0e – Get attribute single

| # | Attribute name | Services | Range, default | Description | Type |
|----|--------------------------|----------|-----------------------|---|-----------------|
| 3 | Energy Net | Get | | Running total of energy consumed minus energy generated | Array of UINT16 |
| 4 | Energy Type | Get | 0x1001-0x1001, 0x1001 | Specifies the type of energy managed by this energy instance. 0x1001 = Electricity | UINT16 |
| 5 | Energy Unit | Get | 0x1D04-0x1D04, 0x1D04 | Engineering units used for the energy odometers. 0x1D04 = Kilowatt hours | UINT16 |
| 7 | Normalization Multiplier | Get | 1...1, 1 | Multiplier value for the scaling formula to convert from engineering units to the normalized value expressed in Kilowatt-hours (kWh). | UINT16 |
| 8 | Normalization Divisor | Get | 1...1, 1 | Divisor value for the scaling formula to convert from engineering units to the normalized value expressed in Kilowatt-hours (kWh). | UINT16 |
| 41 | Path | | | Path to associated Base energy object instance | EPATH |

9

Diagnostics

Contents of this chapter

This chapter explains how to trace faults with the status LEDs on the adapter module.

Faults and warning messages

For the fault and warning messages concerning the adapter module, see the drive firmware manual.

LED indications

The adapter module is equipped with two bicolor LEDs and one tricolor diagnostic LED. The LEDs are described below.



| Name | Color | Function |
|--------|--------------|---|
| Module | Off | No power, offline, NAM not attached |
| | Orange | Device is online but no message has been sent or received in the last 5 seconds. |
| | Red | Error. Device has returned a status error or has not delivered a message or has received an error from the destination in the last 5 seconds. If there is an error, the LED stays red for 1 second. |
| | Green | Online. Device has been sending messages in the last 5 seconds. |
| | Red/Orange | Faulted master |
| | Red/Off | Faulted backup |
| | Green/Off | Net change |
| | Green/Orange | Fault net change |
| | Orange/Off | No master or backup |



| Name | Color | Function |
|--------------------------------|---|---|
| ControlNet; LEDs A and B | <i>Indications that use both ControlNet LEDs together</i> | |
| | Off | No power or reset |
| | Red | Failed unit |
| | Alternating red-green | Self test |
| | Alternating red-off | Incorrect node configuration (eg, duplicate node ID) |
| | <i>Indications that use each ControlNet LED independently</i> | |
| | Blinking red-green | Incorrect network configuration |
| | Blinking red | Cable fault or no other nodes present in the network (eg, broken cable, redundancy warning) |
| | Blinking green | Temporary network errors (eg, bad MAC frame, screeners not programmed) |
| | Green | Channel OK |
| | Off | Channel disabled |

10

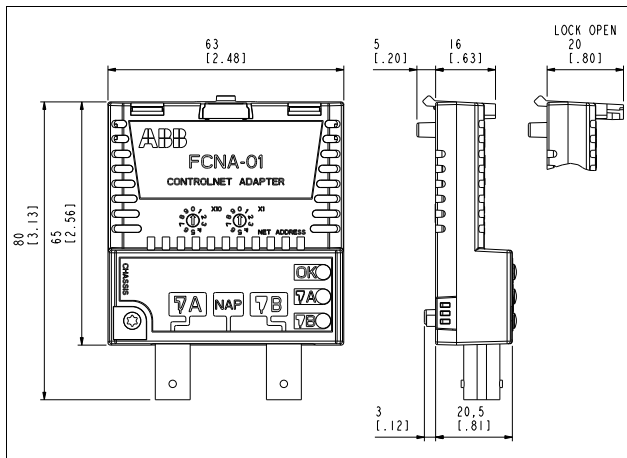
Technical data

Contents of this chapter

This chapter contains the technical data of the adapter module and the ControlNet link.

FCNA-01

The following figure describes the enclosure of the adapter module from the front and side.



| | |
|----------------------|---|
| Installation | Into the option slot on the drive |
| Degree of protection | IP20 |
| Ambient conditions | The applicable ambient conditions specified for the drive in its manuals are in effect. |
| Indicators | Two bicolor LEDs and one tricolor diagnostic LED: ControlNet, ControlNet and Module |
| Connectors | 20-pin connector to the drive (X3) Two 8P8C modular jacks (X1 and X2) |
| Power supply | +3.3 V \pm 5% max. 450 mA (supplied by the drive) |
| General | Complies with EMC standard EN 61800-3:2004 Printed circuit board conformal coated |

ControlNet link

| | |
|--------------------|--|
| Compatible devices | Any ControlNet scanner |
| Medium | RG-6 quad shielded cable (coax) <ul style="list-style-type: none">• Termination: 75 Ohm, 1%, Metal Film, 1/4 W• Maximum Bus Length: 250 m (48 nodes), 1000 m (2 nodes) or 5000 m (with repeaters) |
| Topology | Bus, star or tree |
| Transfer rate | 5 Mbit/s |
| Protocol | ControlNet |

Further information

Product and service inquiries

Address any inquiries about the product to your local ABB representative, quoting the type designation and serial number of the unit in question. A listing of ABB sales, support and service contacts can be found by navigating to www.abb.com/searchchannels.

Product training

For information on ABB product training, navigate to www.abb.com/drives and select *Training courses*.

Providing feedback on ABB Drives manuals

Your comments on our manuals are welcome. Go to www.abb.com/drives and select *Document Library – Manuals feedback form (LV AC drives)*.

Document library on the Internet

You can find manuals and other product documents in PDF format on the Internet. Go to www.abb.com/drives and select *Document Library*. You can browse the library or enter selection criteria, for example a document code, in the search field.

Contact us

www.abb.com/drives

www.abb.com/solar

www.abb.com/windpower

www.abb.com/drivespartners

3AUA0000141650 Rev A (EN) 2014-04-03

Power and productivity
for a better world™

