

SACE Emax 2

Kit tappi calotta frontale - E2.2-E4.2-E6.2

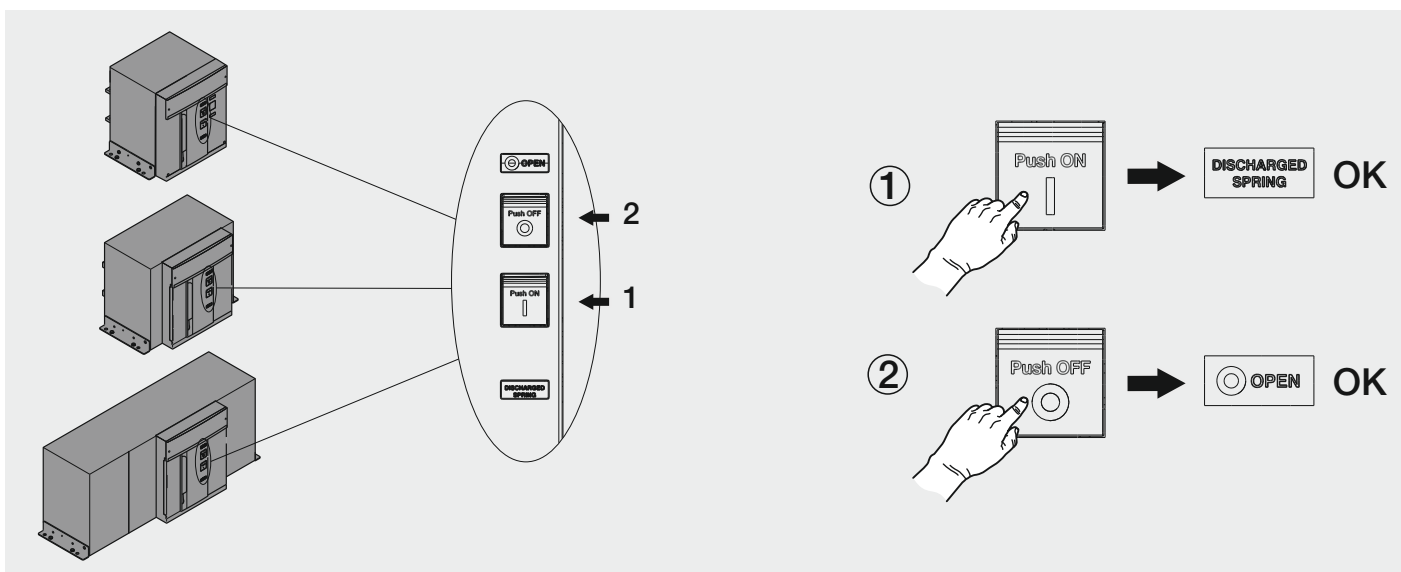
Front cover plugs kit - E2.2-E4.2-E6.2

Frontplatte Kappen kit - E2.2-E4.2-E6.2

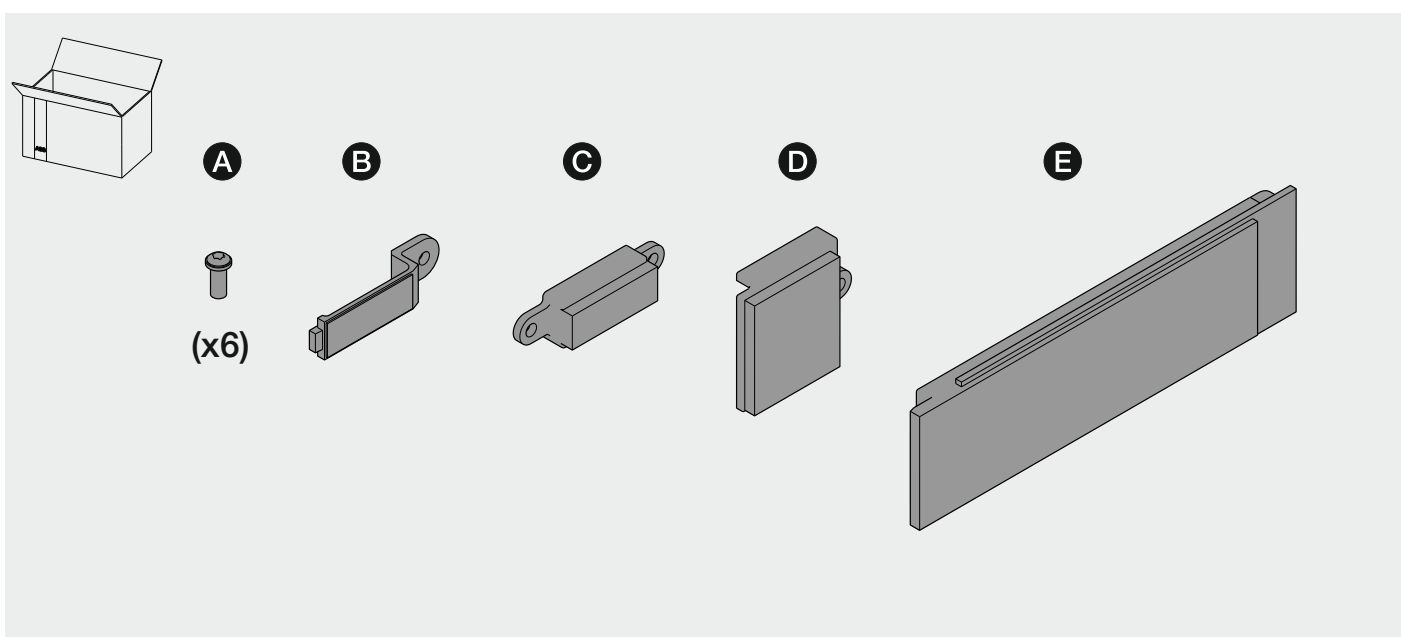
Kit bouchons plastron frontal - E2.2-E4.2-E6.2

Kit tapones escudo frontal- E2.2-E4.2-E6.2

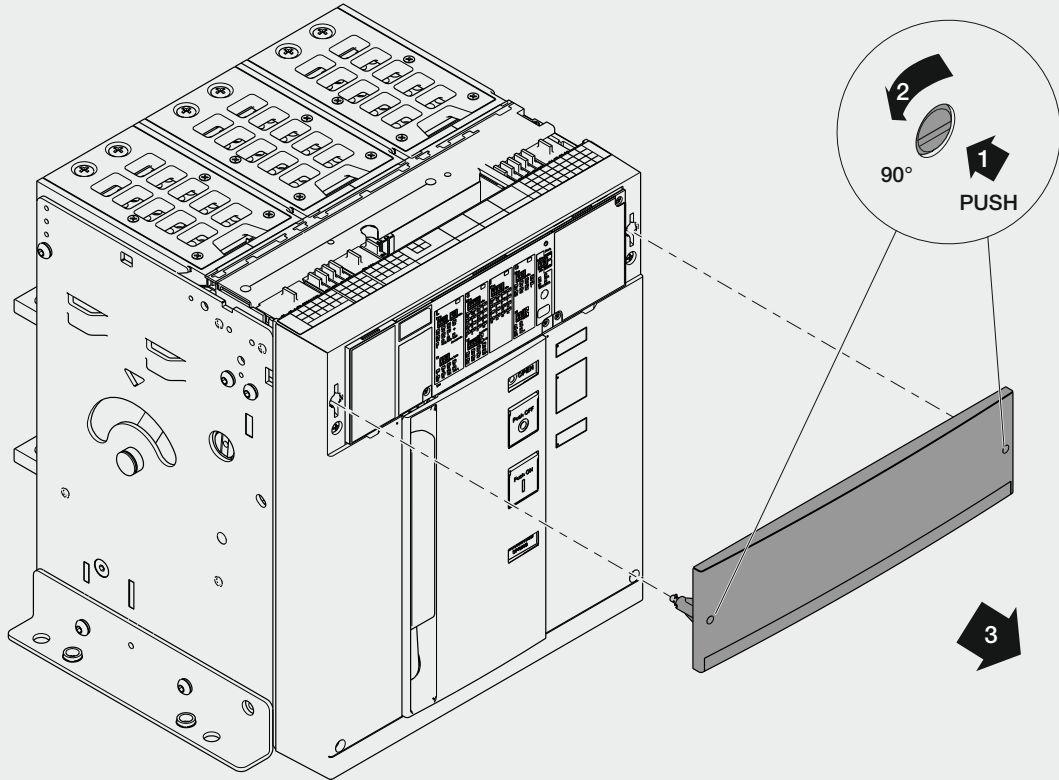
E2.2-E4.2-E6.2



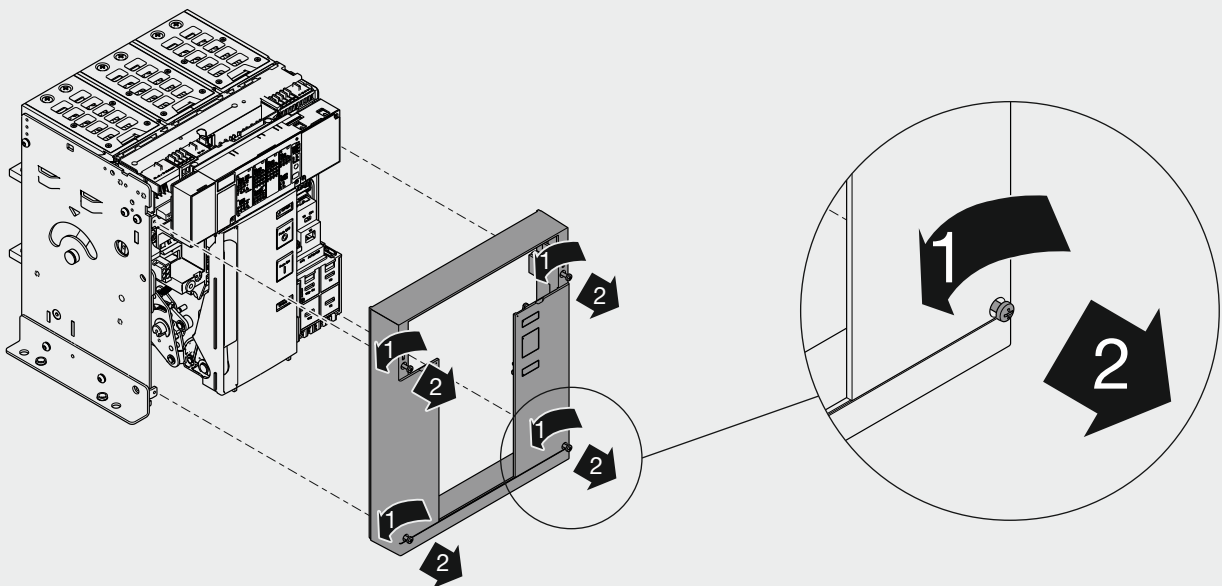
LEGGERE ATTENTAMENTE IL DOCUMENTO RH0100003 PRIMA DI PROCEDERE
READ CAREFULLY THE DOCUMENT RH0100003 BEFORE PROCEEDING

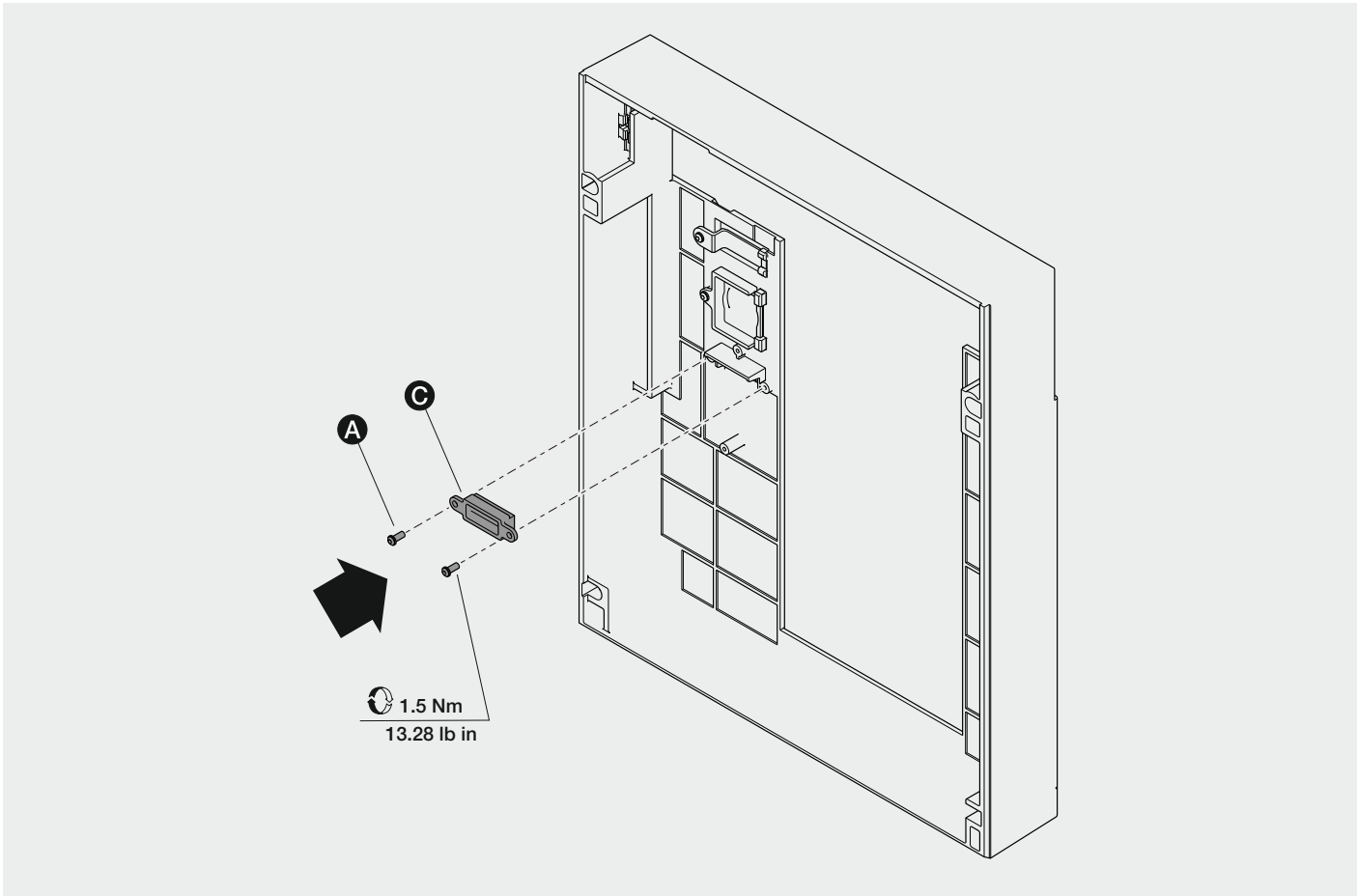
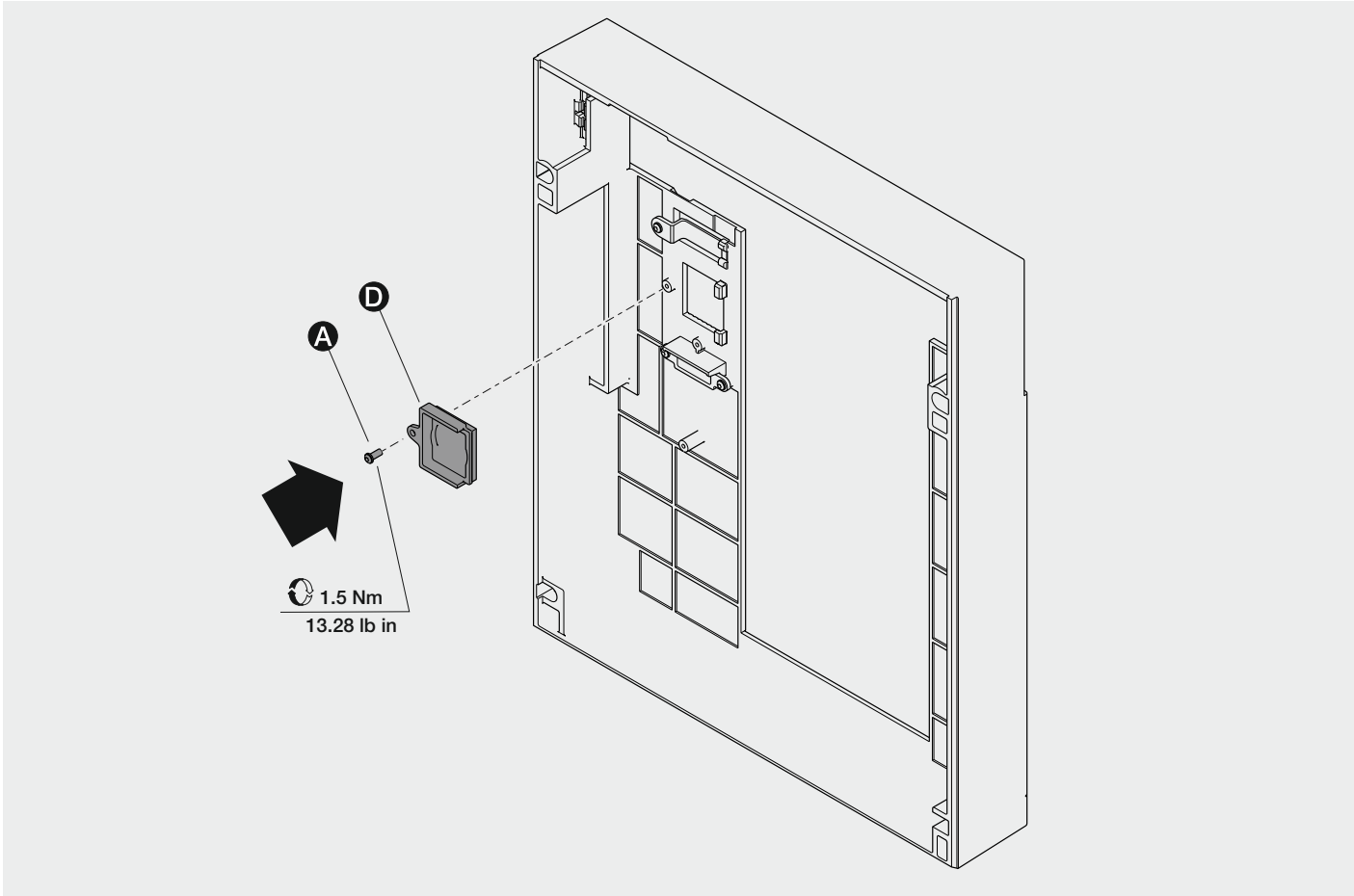


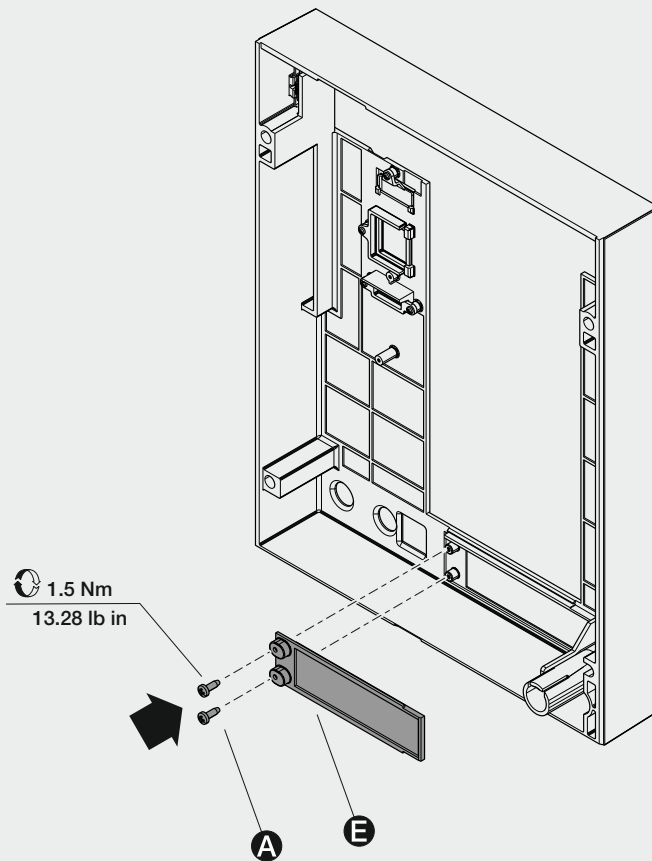
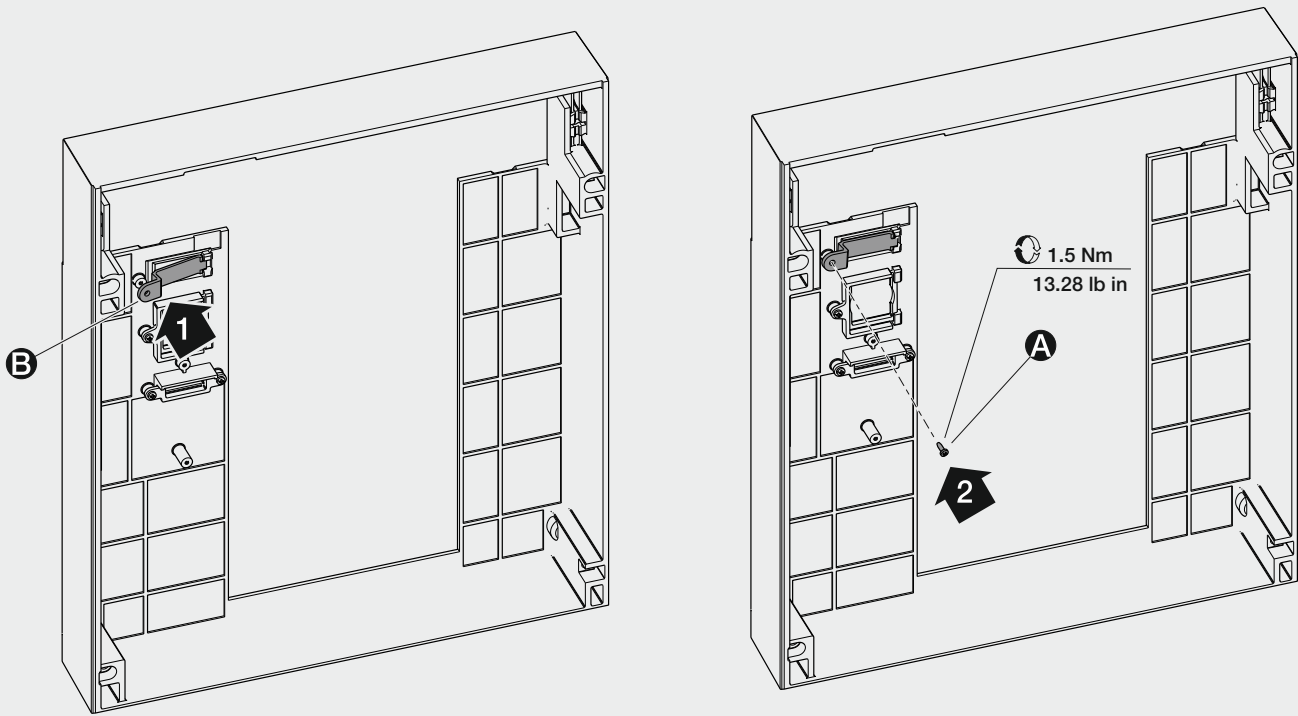
1



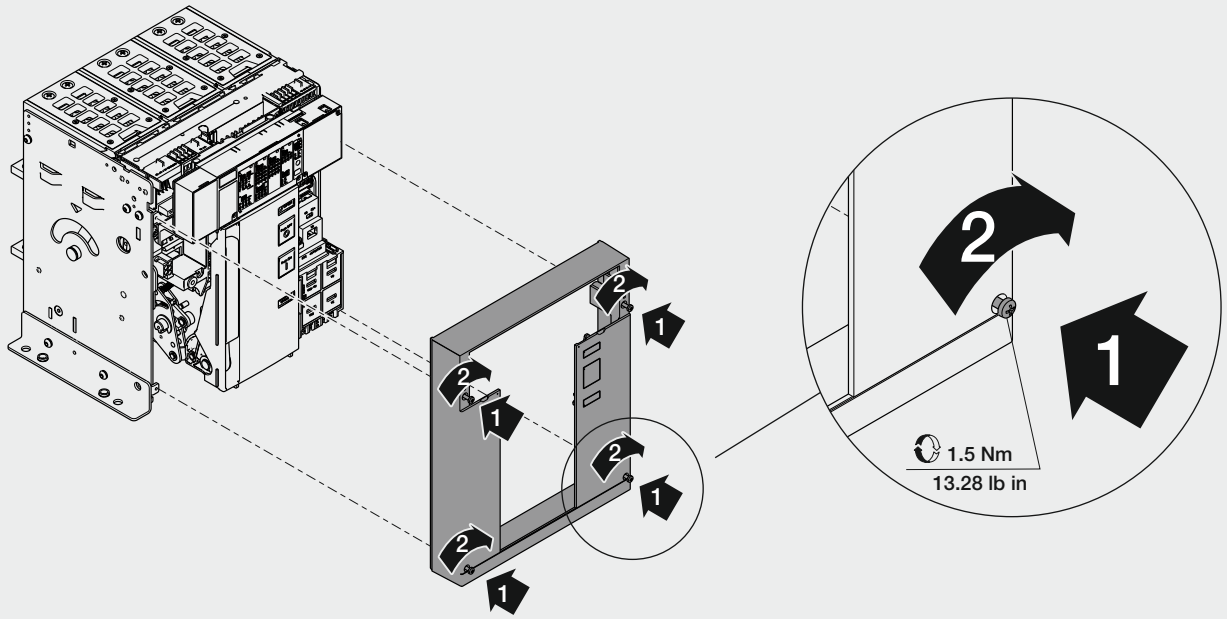
2



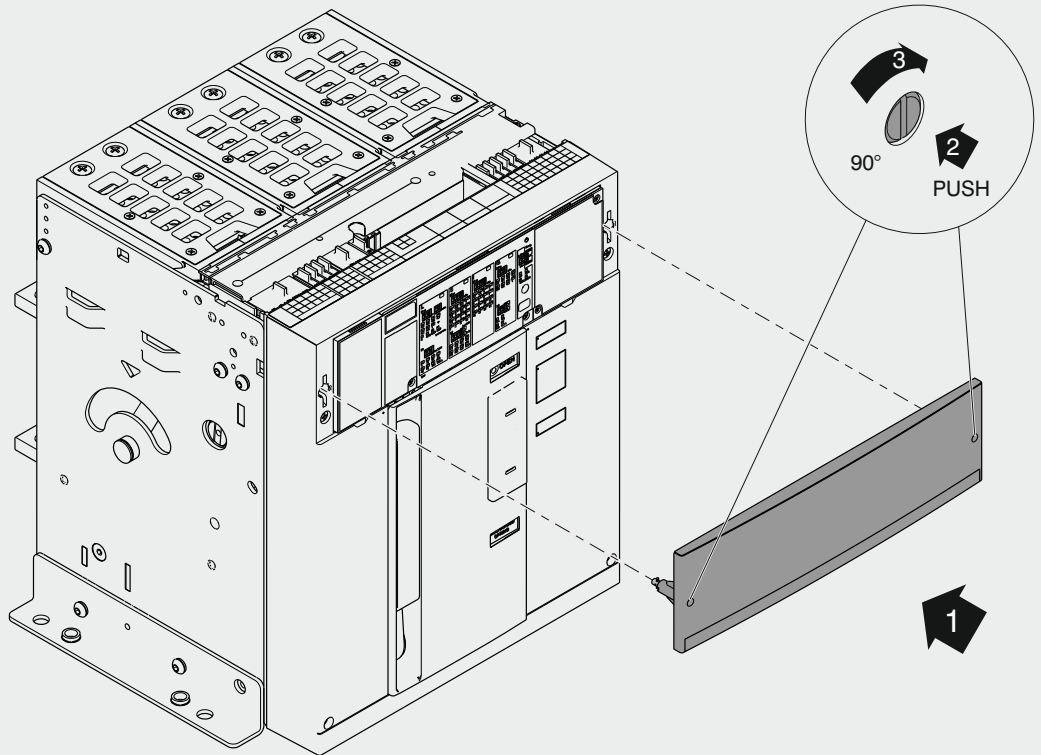




6



7



For more information please contact:

ABB S.p.A.

ABB SACE Division

Via Baioni, 35

24123 Bergamo - Italy

Phone: +39 035 395 111

Fax: +39 035 395 306 - 433