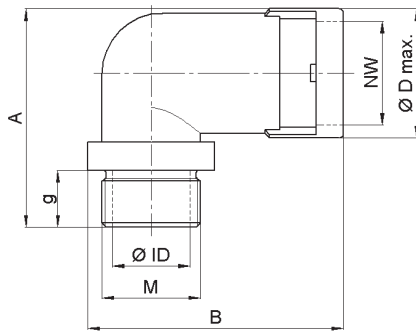


**Connector**

90° elbow with metal thread IP68 metric

NEWV

PMA Ex eb and Ex tb Non Metallic System

Dimensions**Features**

- Made of dissipative PA12, with nickel-plated brass thread
- Prevents electrostatic charging
- For indoor and outdoor applications
- High thread and system connection strengths
- Corrosion resistant
- Easy installation
- Very good chemical properties
- Zone 1,2, 21 & 22

**Certification & Standards****Approved to:** IEC EN 60079-0, 60079-7, 60079-31**EC TYPE Examination** ATEX: SEV 15 ATEX 0121X**Certificate:** IECEx: IECEx SEV15.0009X

Ex eb IIC Gb

Ex tb IIIC Db

Temperature: -5°C to +85°C Sizes 02-03 (NW10-12)

-20°C to +85°C Sizes 04-08 (NW17-48)

IP protection: IP66, IP68

order no.	thread size	conduit size	dimensions in mm (nom.)					weight	packing unit
			g	Ø ID	Ø D max.	A	B	kg/100 pcs	PU/pcs
NEWV0303	M16x1.5	12	10.0	9.5	23.5	42.0	46.5	2.3	10

Our customer service dept. or local distribution partner will be pleased to help you concerning product availability and lead time

For bigger connector sizes please see data sheet [No. 33035](#) EBV 90° curved elbow with metal thread

**Connector**

90° elbow with metal thread IP68 metric

**NEWV**

PMA Ex eb and Ex tb Non Metallic System

properties	unit	value	test method
Mechanical properties			
Stress-E-module	N/mm ²	350	ISO 527
Tensile strength	N/mm ²	35	ISO 527
Notched bar impact test	kJ/m ²	9 (-30°C)	ISO 179/2-1eA
Impact strength	kJ/m ²	> 7 (85°C)	EN 60079-0
		> 7 (-20°C)	EN 60079-0
Thermal properties			
For use in hazardous locations:			
Temperature range sizes 02-03	°C	-05 ... +85	EN 60079-0
Temperature range sizes 04-08	°C	-20 ... +85	EN 60079-0
General:		-50 ... +95	
Fire safety characteristics			
Application approvals			
System test			
Please refer to Info-No. 10			
Electrical properties			
Specific surface resistivity	Ω	< 10 ⁷	ASTM D257
Chemical properties			
Please refer to catalogue			
PMA Ex-System or www.pma.ch			
Environmental properties			
RoHS and REACH compliant		yes	EU Directive 2011/65/EU EU Directive 1907/2006/EC
Weathering resistance			
Weathering (UV/humidity) for black colour		very good	
Content of delivery			
Connector with retaining clip (OVN2), O-ring (OR), thread gasket (SVN4), Ex-System conduit seal (NEN3)			
Mounting indication			
On thread side an O-ring (OR) or a flat gasket (SVN4) can be used			
Assembly instructions and other relevant documents are available at www.pma.ch .			

The specifications and instructions for our customers in this document reflect the product engineering level at the time of manufacturing. Please consider the valid data sheet release at a time. For questions please contact the PMA customer service. ABB Switzerland, PMA Cable Protection accepts no liability for damages resulting from unprofessional installation or application or misuse for a purpose. This disclaimer also includes damages to third parties. It is the customer's responsibility to check the delivered products and immediately notify ABB Switzerland, PMA Cable Protection of detected faults. It is also the customer's responsibility to test the delivered product on its applicability for the intended purpose. ABB Switzerland, PMA Cable Protection will accept no liability or responsibility for their products if a product or a PMA system is combined or used together with third-party products, i.e. products from other companies than ABB Switzerland, PMA Cable Protection. Jurisdiction in all legal disputes concerning product liability have the courts of the canton of Zurich/Switzerland. Swiss law applies.

For more information and the newest data sheet releases go to: www.pma.ch