

Figure 114: Wye VT and true differential protection based connection

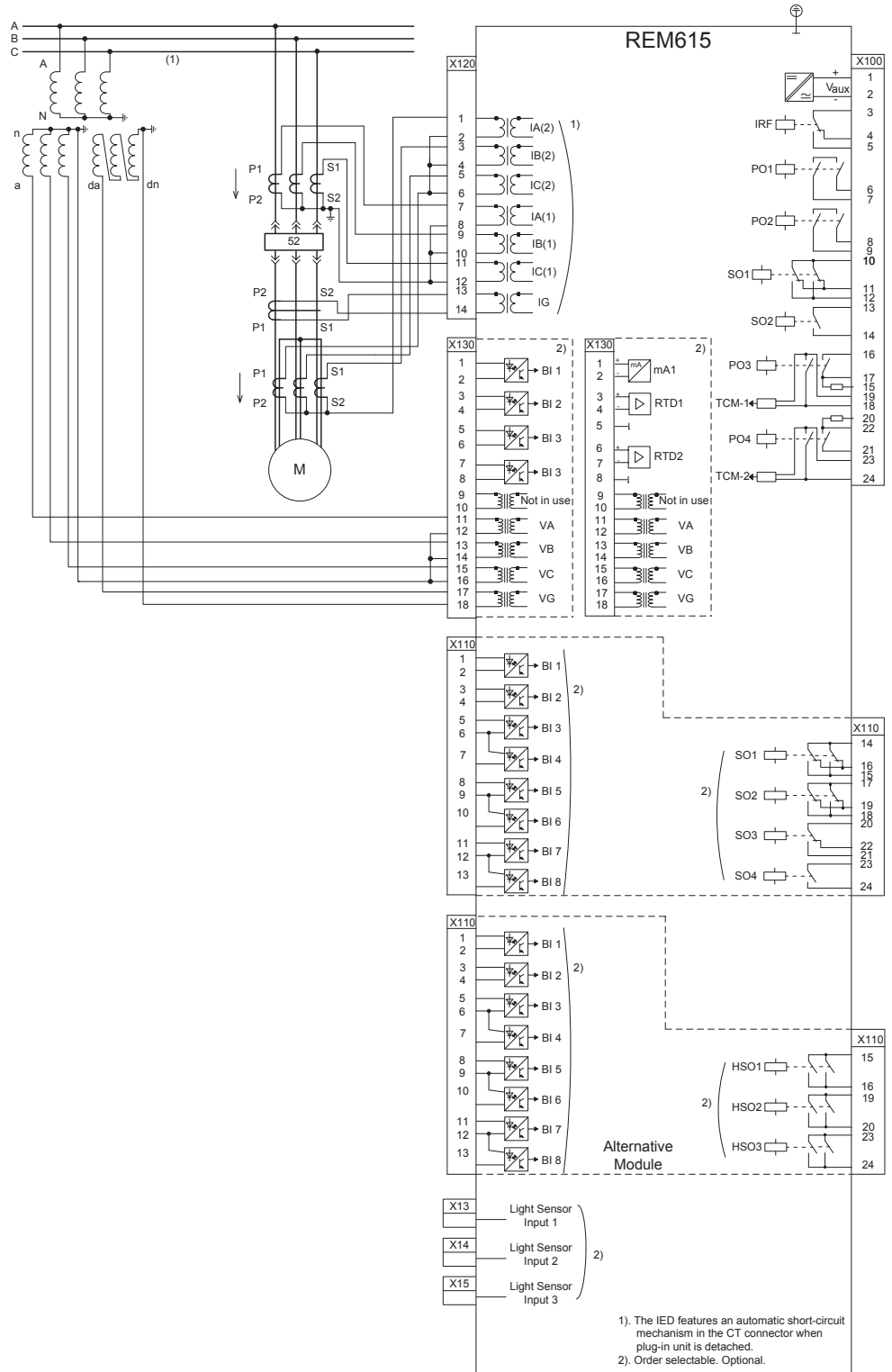


Figure 115: Wye VT and core-balance based differential protection connection