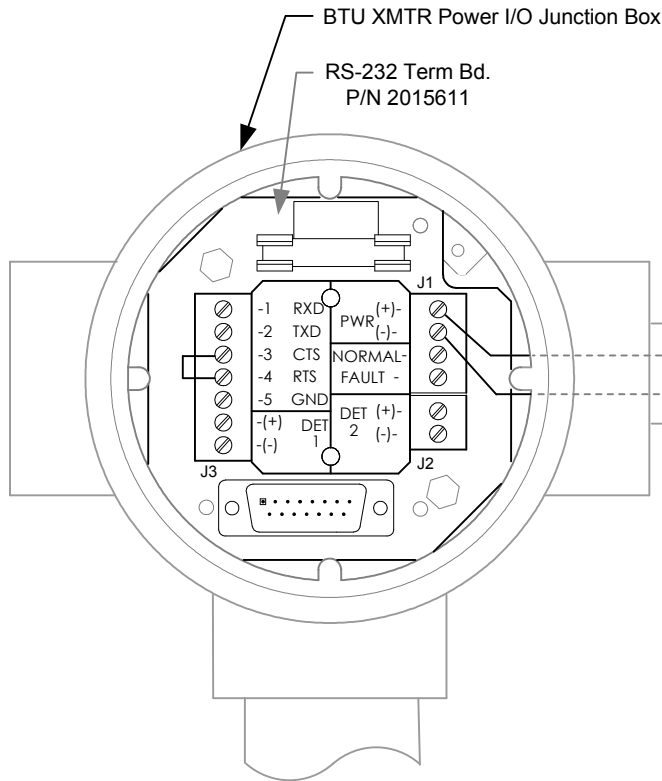


NOTES:

1. Prior to any installation in a classified hazardous location, verify installation methods by the Control Drawing referenced on the product's name tag.
2. To access termination board, remove Power I/O Junction Box front cover.



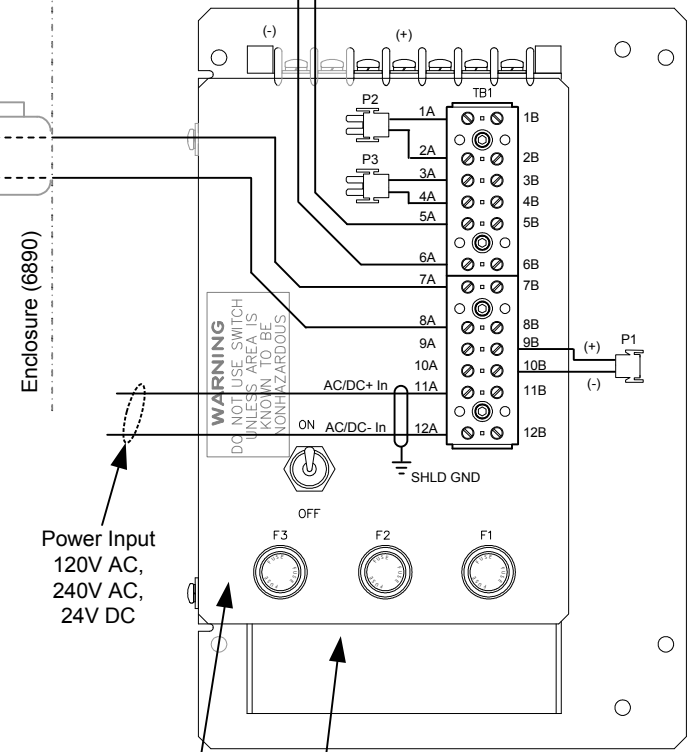
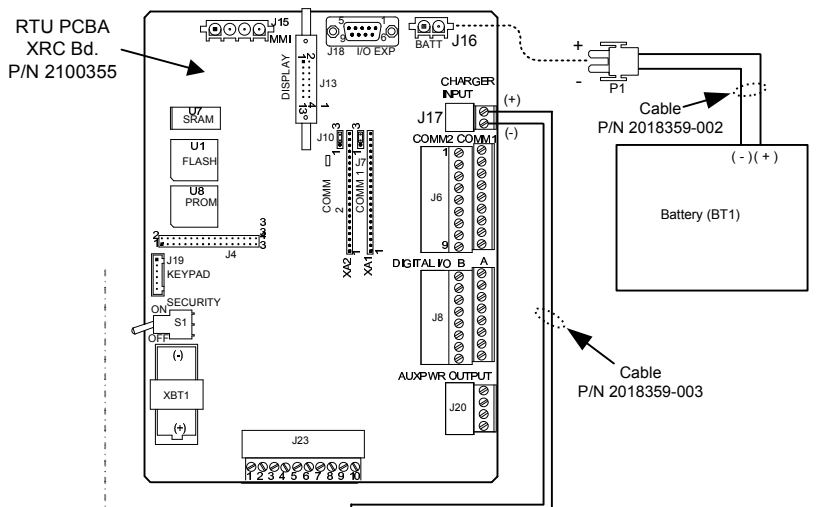
3. Adjust Power Supply Voltage at TB1 to 15V to power BTU XMTR.
4. Wire size is a function of the distance between the BTU XMTR and the DC Power Supply. Using 2.5 Amps as the maximum current draw, calculate an adequate wire size so that the voltage measured at the BTU XMTR's Power I/O Junction Box is a minimum of 12.5 Volts.
5. IPS Power Supplies for 120V AC has been replaced with P/N 2017489-001 and 240V AC has been replaced with P/N 2014789-002. Refer to User Drawing 2102293 for those Power Supplies.

Sealed Conduit Fittings
Or
Approved Cable Fittings

Use 14 AWG for up to 50 Feet.
For greater distances,
SEE NOTE 4

Hazardous Area

Non-Hazardous Area



Power Input
120V AC,
240V AC,
24V DC

SEE NOTE 3

Power Supply, IPS, Inc.
P/N 2015440-005 (12 VDC)
(Rotated for clarity)
Also, older models may have:
P/N 2015440-005 (120 VAC)
P/N 2015440-006 (240 VAC)
(SEE NOTE 5)

REF: 2100603-WI

ABB	TOTALFLOW Products	ACTION	DOC TYPE	TITLE	DWG NO.	REV	SHEET
		L17589	UD	BTU 8000/8100 TO IPS POWER SUPPLY (FOR MODEL 6890)	2102285	AA	1 OF 1