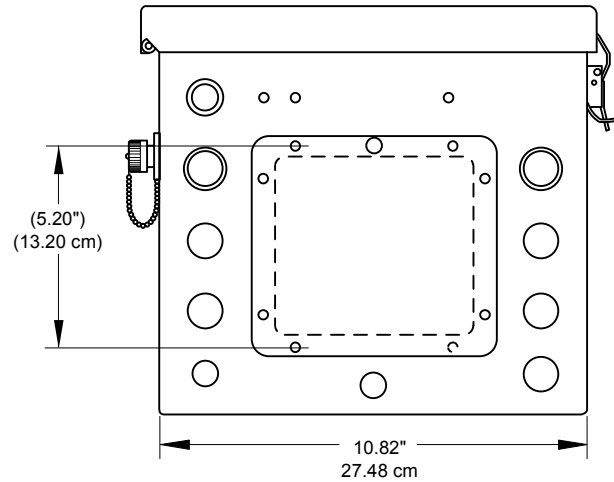


(7) Holes for .50 NPT CORD Connector (.875" / 2.22 cm)



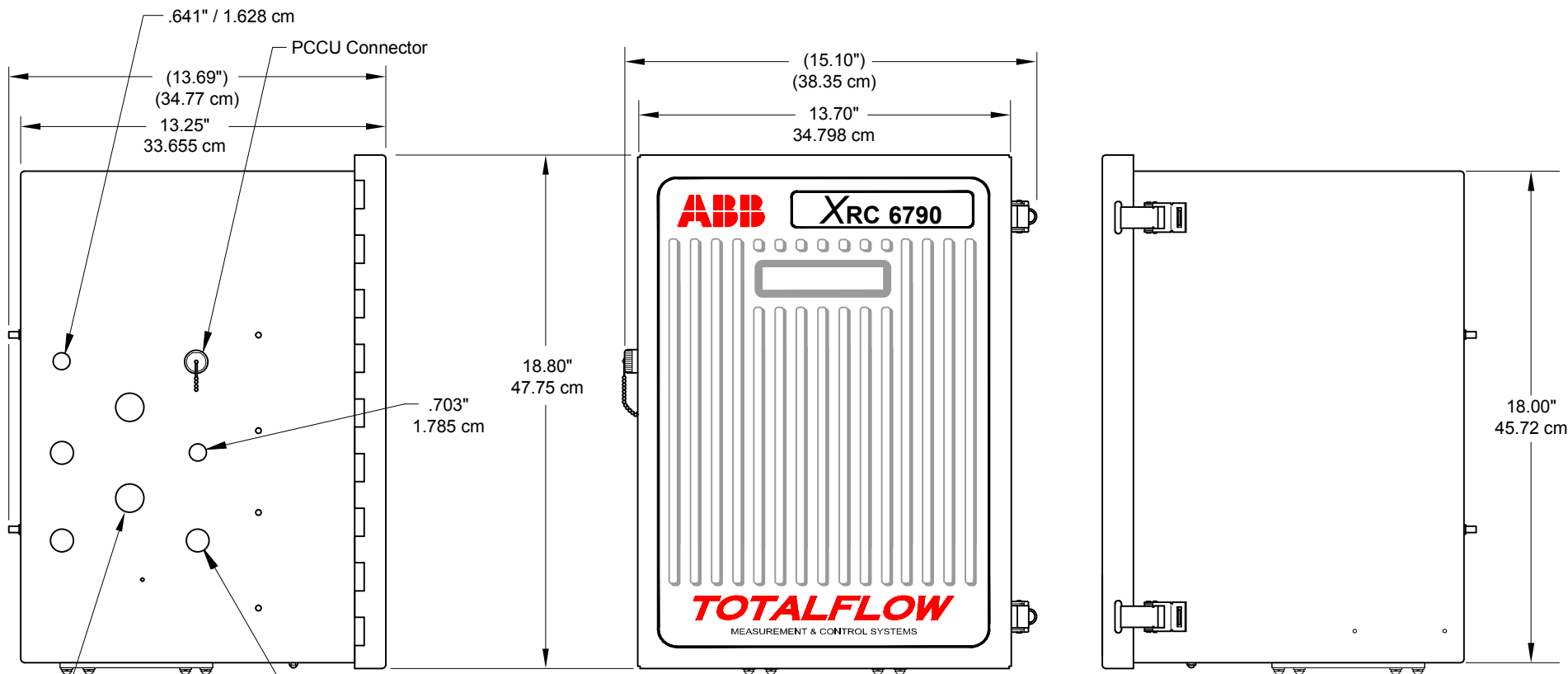
6490 Flow Computer, RTU

NOTES:

1. **WARNING:** This drawing does not illustrate completely the installation methods required for hazardous locations. Prior to any installation in a Classified Hazardous Location, verify installation methods by the Control Drawing referenced on the product's name tag and national and local codes.

REF:2100182, 2100551

ABB TOTALFLOW Products	ACTION	DOC TYPE	TITLE	DWG NO.	REV	SHEET
	D21572	UD	XRC ENCLOSURE MEASUREMENTS	2102952	AB	1 OF 5



.703"
1.785 cm

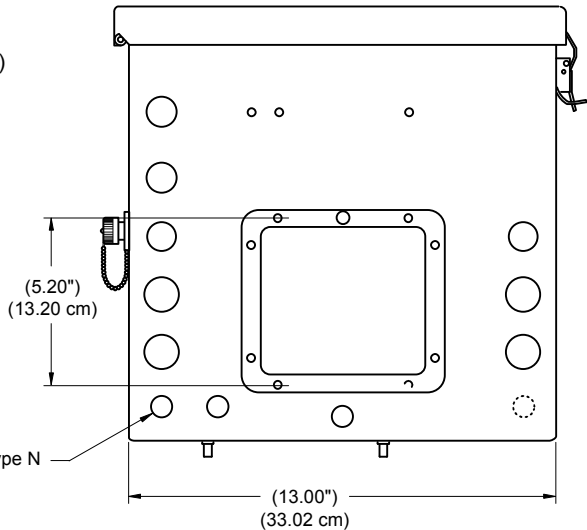
(3) Holes for .50 NPT Cord
Connector (.875" / 2.22 cm)

(2) Holes for .75 NPT Cord
Connector (1.06" / 2.692 cm)

6790 Flow Computer, RTU

NOTES:

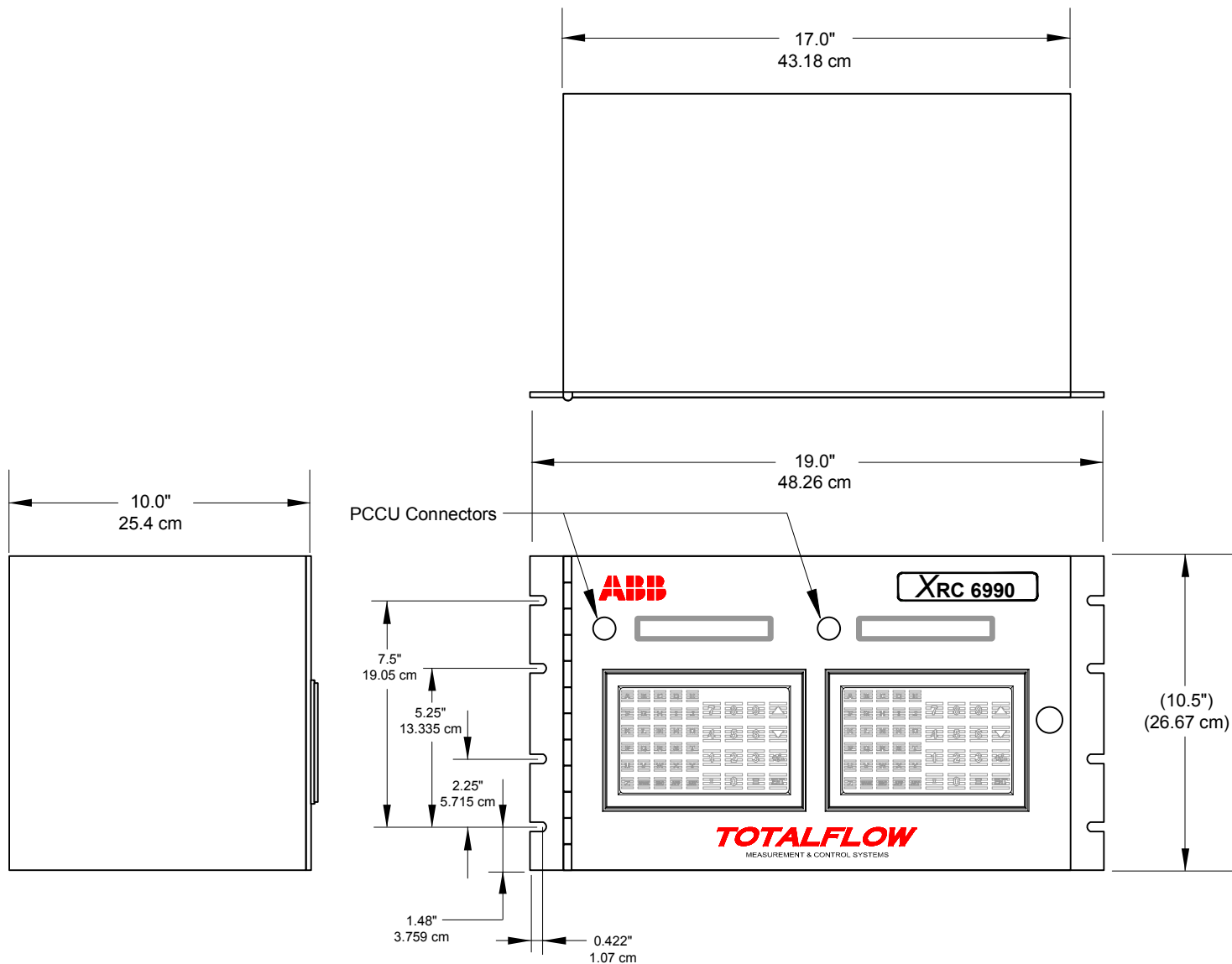
1. WARNING: This drawing does not illustrate completely the installation methods required for hazardous locations. Prior to any installation in a Classified Hazardous Location, verify installation methods by the Control Drawing referenced on the product's name tag and national and local codes.



(2) RF Conn Type N
(0.641")

REF: 2100155-023

	TOTALFLOW Products	ACTION	DOC TYPE	TITLE	DWG NO.	REV	SHEET
		D21572	UD	XRC ENCLOSURE MEASUREMENTS	2102952	AB	2 OF 5




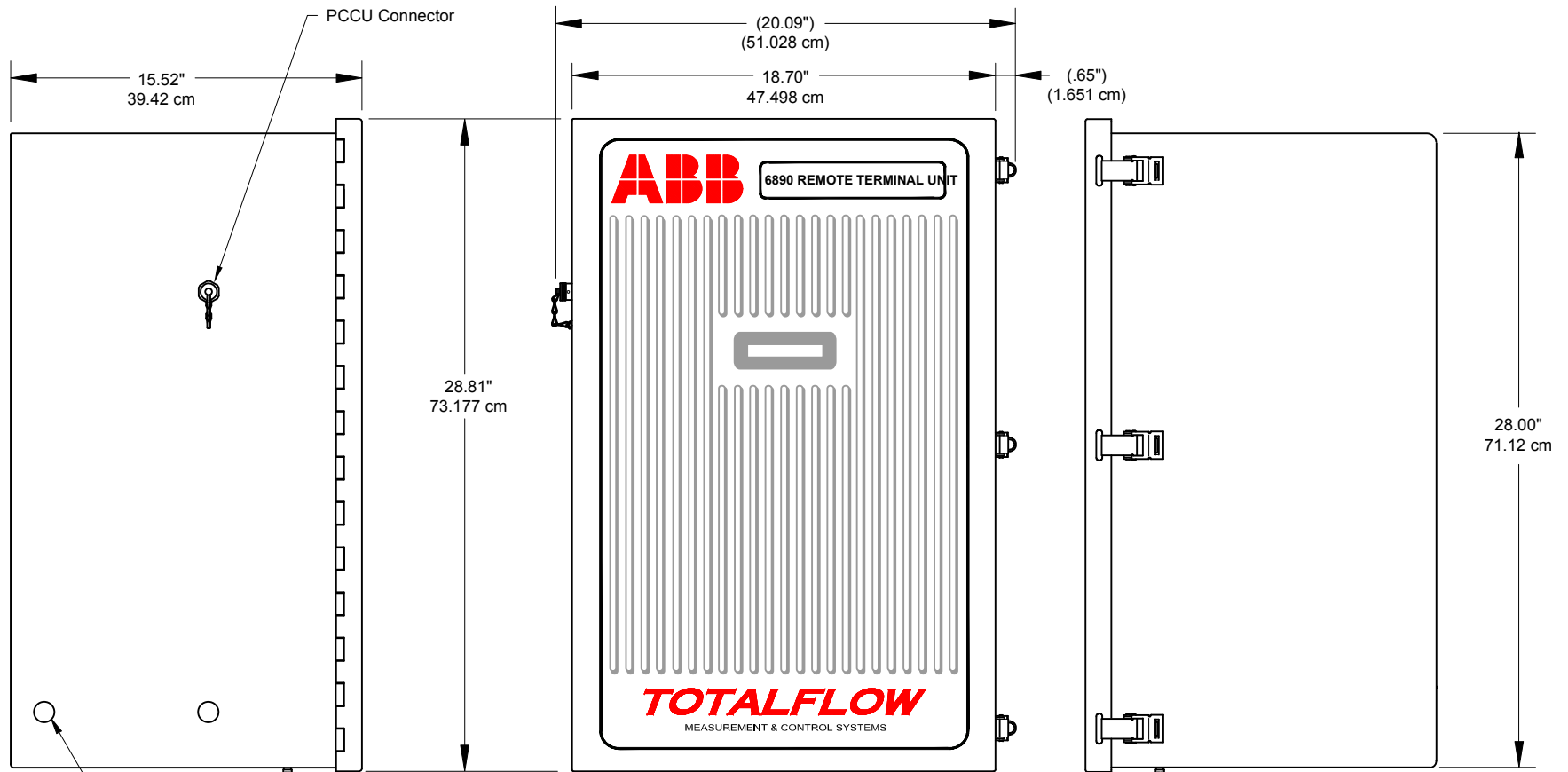
6990 Rack Mount (Dual XRC Unit shown)

NOTES:

1. WARNING: This drawing does not illustrate completely the installation methods required for hazardous locations. Prior to any installation in a Classified Hazardous Location, verify installation methods by the Control Drawing referenced on the product's name tag and national and local codes.

REF: 2102435, 2102238, 2102239

 TOTALFLOW Products	ACTION	DOC TYPE	TITLE	DWG NO.	REV	SHEET
	D21572	UD	XRC ENCLOSURE MEASUREMENTS	2102952	AB	3 OF 5



(2) Holes for .50 NPT Cord Connector (.875" / 2.22 cm)

(2) RF Conn Type N (0.641")

(2) 2.5" Holes (6.35 cm)

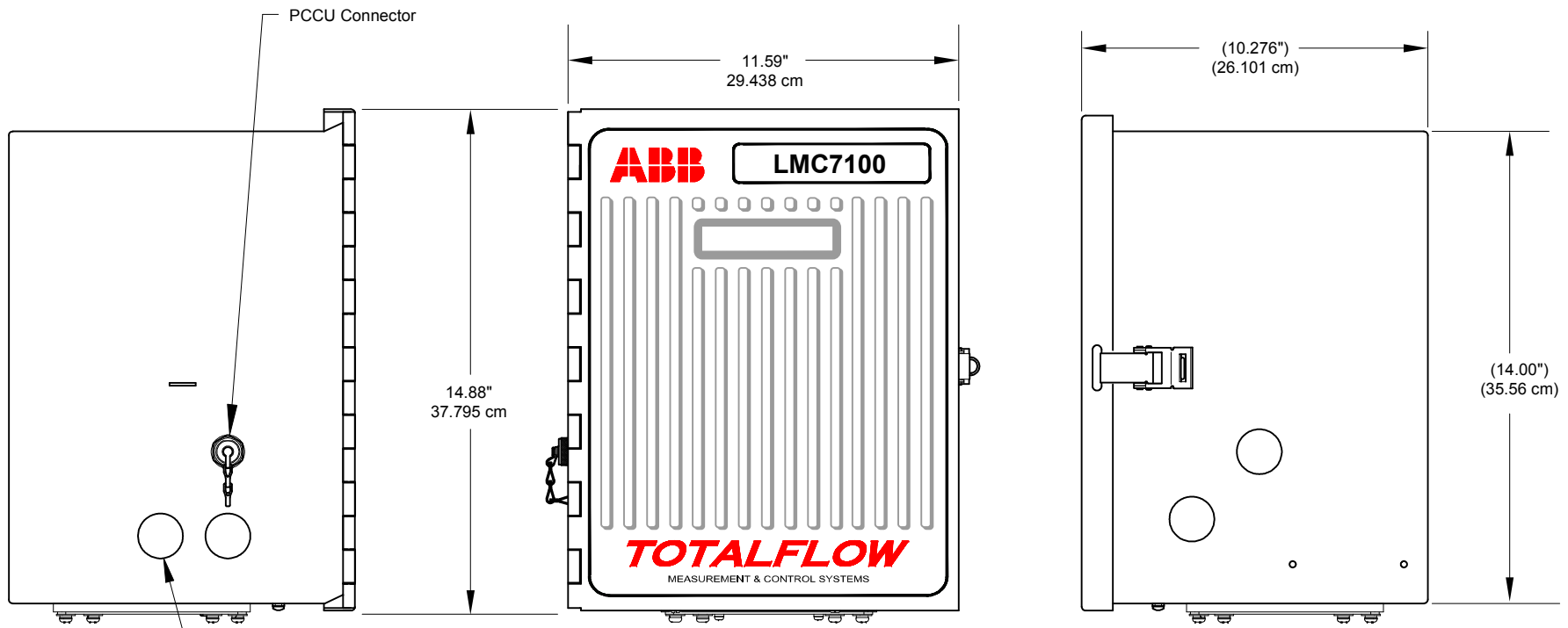
6890 Flow Computer, RTU

NOTES:

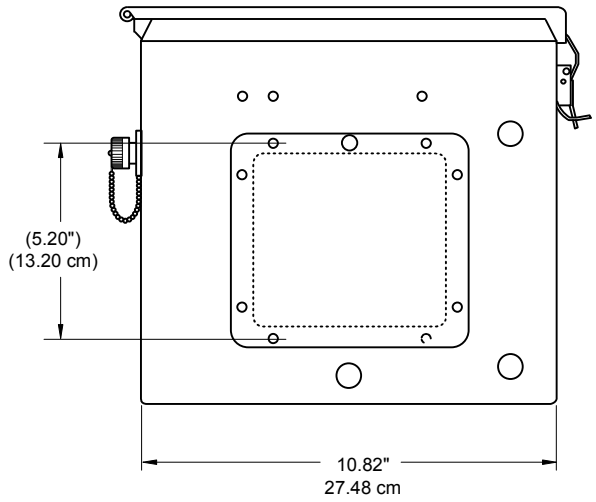
1. **WARNING:** This drawing does not illustrate completely the installation methods required for hazardous locations. Prior to any installation in a Classified Hazardous Location, verify installation methods by the Control Drawing referenced on the product's name tag and national and local codes.

REF: 2100552-001

ABB TOTALFLOW Products	ACTION	DOC TYPE	TITLE	DWG NO.	REV	SHEET
	D21572	UD	XRC ENCLOSURE MEASUREMENTS	2102952	AB	4 OF 5



(4) Holes for .50 NPT CORD Connector (.875" / 2.22 cm)




LMC7100 LevelMaster

NOTES:

1. WARNING: This drawing does not illustrate completely the installation methods required for hazardous locations. Prior to any installation in a Classified Hazardous Location, verify installation methods by the Control Drawing referenced on the product's name tag and national and local codes.

REF: 2100934-002, 2100919

 TOTALFLOW Products	ACTION	DOC TYPE	TITLE	DWG NO.	REV	SHEET
	D21572	UD	XRC ENCLOSURE MEASUREMENTS	2102952	AB	5 OF 5