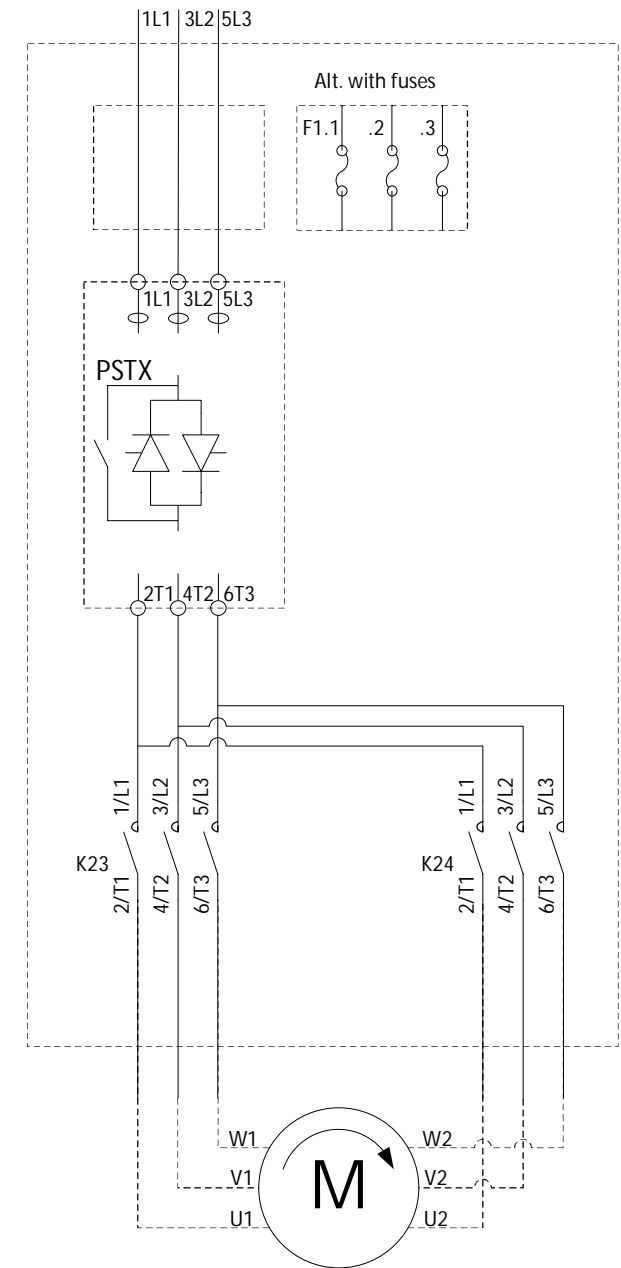
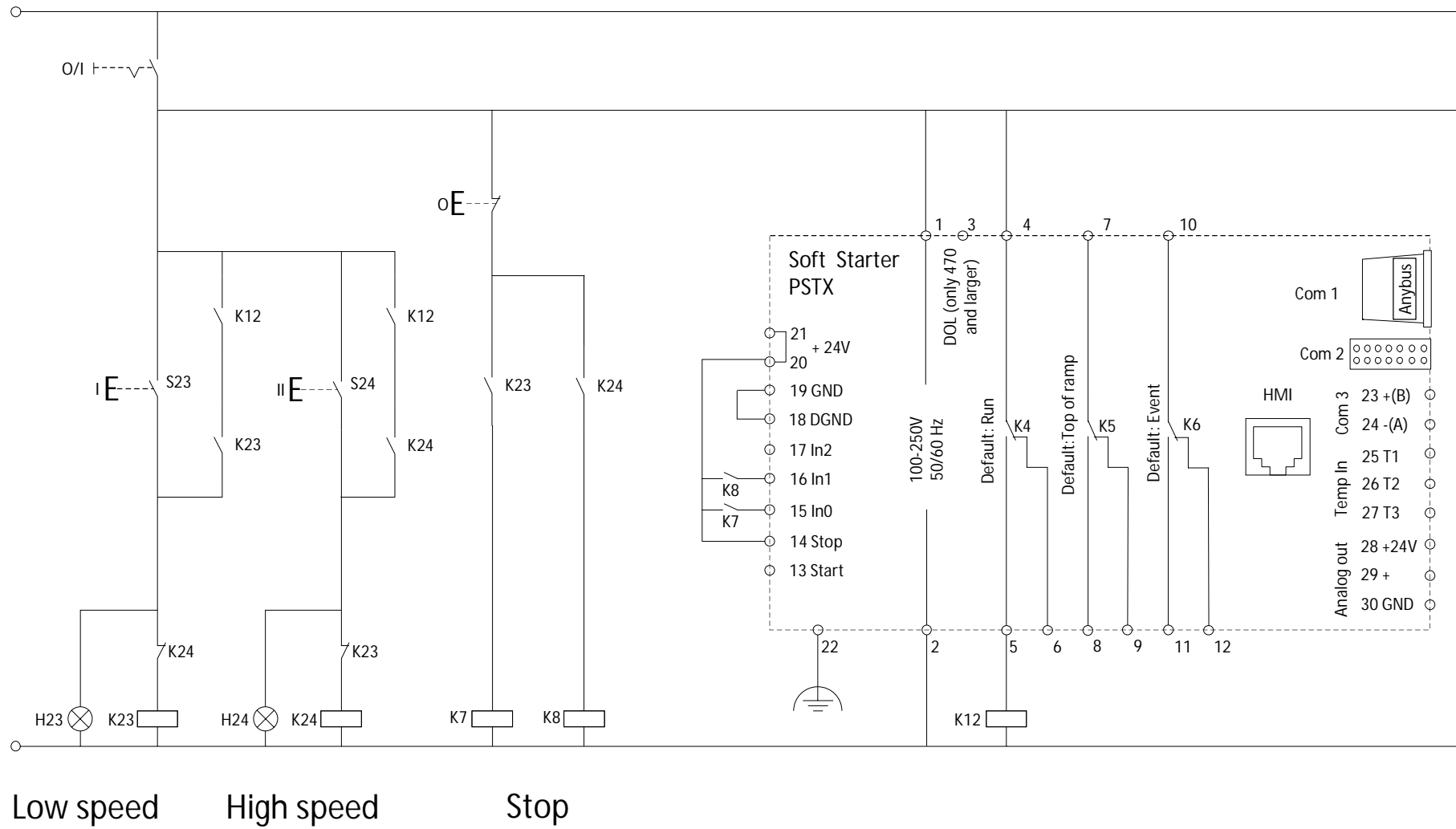


PSTX30...1250

In Line with pole-changing  
 To be stopped before change of speed  
 Start at optional speed  
 For motor with two windings  
 Input In0 shall be set to Start1  
 Input In1 shall be set to Start2  
 Internal E.O.L shall be deActivated  
 Softstarter needs to be configured according to settings  
 in manual 1SFC132081M0201 (see sequence start).

Rev	Pos	Description	Date	Sign.



We reserve all rights in this document and in the information contained therein. Reproduction, use or disclosure to third parties without express authority is strictly forbidden. Copyright ABB.

Proprietary and secret information

Created By Björn Johansson	State Approved	Responsible dep RE	Title Application diagram PSTX with pole change	Lang EN
Approved By David Wikström	Approved Date 161019	Revision B	Document Number 1SFB536005G5005	Size A3
ABB ABB AB, Control Products				Sheet 1 of 1