



Low Voltage Switches

# Switches

## Change-over and transfer switches



# Change-over and transfer switches

16...2500A

## Contents

|    |   |
|----|---|
| 4  | Features  |
| 8  | Technical data  |
| 8  | Manual change-over switches                                 |
| 10 | Manual, motorized and automatic transfer switches           |
| 12 | Motorized change-over switches, motor operators             |
| 13 | Automatic transfer switches, power circuit, motor operators |
| 15 | UL/CSA manual change-over switches                          |
| 15 | Ordering information  |
| 15 | Manual change-over switches                                 |
| 17 | Motorized change-over switches                              |
| 19 | Automatic transfer switches                                 |
| 21 | Manual change-over switches, closed transition              |
| 22 | UL/CSA manual change-over switches                          |
| 23 | Ordering information, accessories                           |
| 23 | Handles   |
| 25 | Extended shafts   |
| 26 | Auxiliary contacts  |
| 27 | Fourth poles and terminal shrouds                           |
| 28 | Phase separators  |
| 29 | Connecting accessories                                      |
| 30 | Conversion kits   |
| 31 | Parallel connection kits                                    |
| 32 | Accessories   |
| 33 | Contact functions   |
| 35 | Dimension drawings  |
| 55 | Index   |

# Change-over and transfer switches

16...2500A

## Manual operation



|       |       |        |
|-------|-------|--------|
| OT16F | OT63F | OT100F |
| OT25F | OT80F | OT125F |
| OT40F |       |        |

|                          |    |    |    |    |    |     |     |
|--------------------------|----|----|----|----|----|-----|-----|
| $I_{th}$ /A              | 25 | 32 | 40 | 63 | 80 | 115 | 125 |
| $I_{th}$ /AC-22A, ≤ 415V | 16 | 25 | 40 | 63 | 80 | 100 | 125 |
| $I_{th}$ /AC-23A, ≤ 415V | 16 | 20 | 23 | 45 | 75 | 80  | 90  |

|                          |  |  |  |  |  |  |  |
|--------------------------|--|--|--|--|--|--|--|
| $I_{th}$ /A              |  |  |  |  |  |  |  |
| $I_{th}$ /AC-22A, ≤ 415V |  |  |  |  |  |  |  |
| $I_{th}$ /AC-23A, ≤ 415V |  |  |  |  |  |  |  |
| $I_{th}$ /AC-21B, ≤ 415V |  |  |  |  |  |  |  |

## Motor operation



|           |            |           |
|-----------|------------|-----------|
| OTM160E_C | OTM160E_WC | OTM315E_C |
| OTM200E_C | OTM200E_WC | OTM400E_C |
| OTM250E_C | OTM250E_WC |           |

|                          |     |     |     |     |     |     |     |     |
|--------------------------|-----|-----|-----|-----|-----|-----|-----|-----|
| $I_{th}$ /A              | 160 | 200 | 250 | 160 | 200 | 250 | 315 | 400 |
| $I_{th}$ /AC-22A, ≤ 415V | 160 | 200 | 250 | 160 | 200 | 250 | 315 | 400 |
| $I_{th}$ /AC-23A, ≤ 415V | 160 | 200 | 250 | 160 | 200 | 250 | 315 | 400 |
| $I_{th}$ /AC-21B, ≤ 415V |     |     |     |     |     |     |     |     |



|             |              |
|-------------|--------------|
| OTM160E_C_D | OTM160E_WC_D |
| OTM200E_C_D | OTM200E_WC_D |
| OTM250E_C_D | OTM250E_WC_D |

|                          |     |     |     |     |     |     |
|--------------------------|-----|-----|-----|-----|-----|-----|
| $I_{th}$ /A              | 160 | 200 | 250 | 160 | 200 | 250 |
| $I_{th}$ /AC-22A, ≤ 415V | 160 | 200 | 250 | 160 | 200 | 250 |
| $I_{th}$ /AC-23A, ≤ 415V | 160 | 200 | 250 | 160 | 200 | 250 |

Accessories

Optional handles

Terminal shrouds

Extended shafts

Connecting accessories

Auxiliary contacts

Locking accessories



OT160E  
OT200E  
OT250E

OT160E\_W  
OT200E\_W  
OT250E\_W

OT315E  
OT400E

OT630E  
OT800E

160 200 250  
160 200 250  
160 200 250

160 200 250  
160 200 250  
160 200 250

315 400  
315 400  
315 400

630 800  
630 800  
630 800



OT1000E  
OT1250E

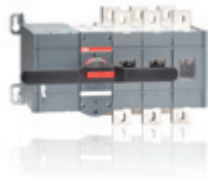
OT1600E

OT2000E  
OT2500E

1000 1250  
1000 1250  
1000 1250

1600  
1600  
1250

2000 2500  
2000 2500  
2000 2500



OTM630E\_C  
OTM800E\_C

OTM1000E\_C  
OTM1250E\_C

OTM1600E\_C

OTM2000E\_C  
OTM2500E\_C

630 800  
630 800  
630 800

1000 1250  
1000 1250  
1000 1250

1600  
1600  
1250

2000 2500  
2000 2500  
2000 2500



OTM315E\_C\_D  
OTM400E\_C\_D

OTM630E\_C\_D  
OTM800E\_C\_D

OTM1000E\_C\_D  
OTM1250E\_C\_D

OTM1600E\_C\_D

315 400  
315 400  
315 400

630 800  
630 800  
630 800

1000 1250  
1000 1250  
1000 1250

1600  
1600  
1250

# Growing importance of a secure power supply

As industrial processes and IT applications diversify, a secure power supply is becoming an increasingly important asset in the drive to cut production and maintenance costs. In emergency situations, the system logic of power distribution can become complex with mechanical devices looking after making, breaking, conducting and isolating power. Loads may sometimes need to be transferred from one supply to another – this will be the case when energy use is restricted or when the supply source is overloaded.

## High performance level

In change-over applications where the loaded switch may need to be operated remotely, adequate durability has been ensured by testing against the IEC 60947-6-1 standard in the specification of endurance requirements.

### Utilization categories:

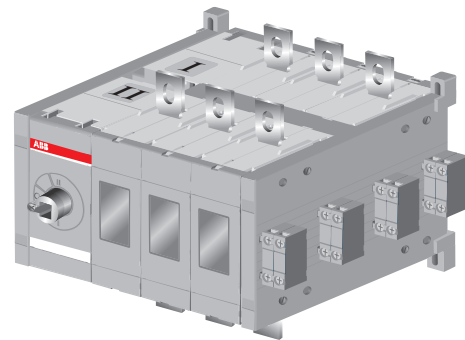
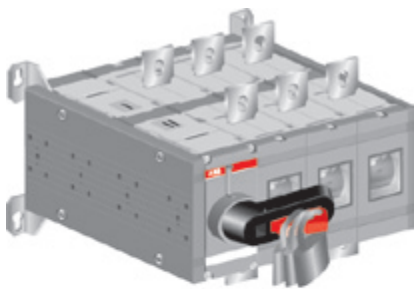
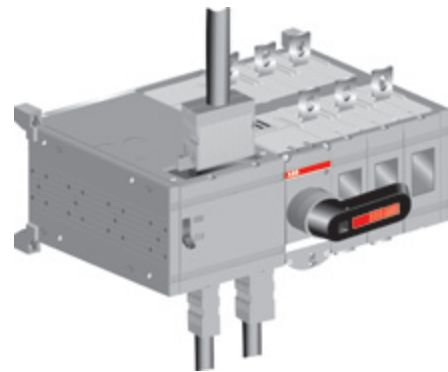
- AC-31 for non-inductive or slightly inductive load
- AC-33 for motor loads or mixed loads including motors

- ▶ ABB change-over switches are rated according to IEC 60947-6-1 standard

## Easy installation for local or remote control

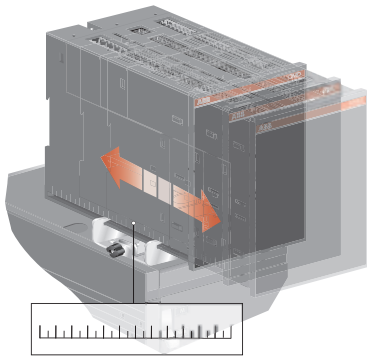
ABB change-over switches are very easy to install: the manually operated switch is operated via a handle fixed directly on the switch or on the panel door. The 16 to 125 Ampere sizes can be snapped-on to a DIN rail and the front fits in the 45 mm consumer unit cut-out.

The motorized change-over switches have snap-on control wire connections. Auxiliary contacts can be snapped-on to the sides of the switches and the power terminals can be connected in parallel with bridging bars.



The automatic transfer switches feature the automatic control unit which can be adjusted according to the mounting depth of the panel. Voltage sensing kit is installed at the factory thus reducing the expensive and time consuming installation work.

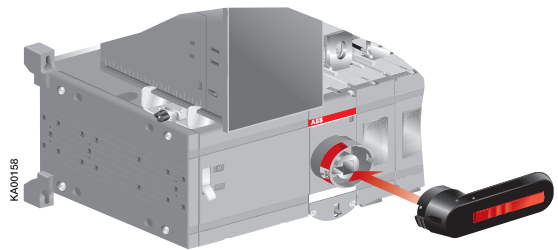
- ▶ Quick and easy installation  
– savings in time and expenses



### Safe and reliable

ABB automatic transfer switches ensure service continuity with a number of built-in, integrated safety features. The change-over mechanism, for example, offers three stable positions which ensure isolation of the two asynchronous power supplies. This eliminates any risk of short-circuit between them, even in the presence of transient voltages. The automatic transfer switches are equipped with handle for manual operation in case of emergency.

- ▶ Inbuilt safety



### Compact design

The design of ABB change-over switches is advanced and compact, allowing installation in confined spaces at considerable savings. Compact double layer construction.

- ▶ Minimizing the need for space



# Manual change-over switches

## Technical data

### Manual change-over switches

Data according to IEC 60947-3

|   | Switch size   |                             | OT16_           |
|---|---|-----------------------------|-----------------|
| Rated insulation voltage and rated operational voltage AC20/DC20  | Pollution degree 3                                  | V                           | 750             |
| Dielectric strength   | 50 Hz 1min.   | kV                          | 6               |
| Rated impulse withstand voltage   |   | kV                          | 8               |
| Rated thermal current and rated operational current AC20/DC20   | / ambient 40°C In open air                          | A                           | 25              |
|   | / ambient 40°C In enclosure                         | A                           | 25              |
|   | / ambient 60°C In enclosure                         | A                           | 20              |
| ...with minimum conductor cross section   | Cu  | mm <sup>2</sup>             | 4               |
| Rated operational current, AC-21A   | up to 500 V   | A                           | 16              |
|   | 690 V   | A                           | 16              |
| Rated operational current, AC-22A   | up to 500 V   | A                           | 16              |
|   | 690 V   | A                           | 16              |
| Rated operational current, AC-23A   | up to 415 V   | A                           | 16              |
|   | 440 V   | A                           | 16              |
|   | 500 V   | A                           | 16              |
|   | 690 V   | A                           | 10              |
| Rated operational current / poles in series, DC-21A   | up to 48 V <sup>1)</sup>                            | A                           | 16/1            |
|   | 110 V   | A                           | 16/2            |
|   | 220 V   | A                           | 16/3            |
|   | 440 V   | A                           | 16/4            |
|   | 500 V   | A                           | 16/4            |
| Rated operational current / poles in series, DC-22A   | up to 48 V <sup>1)</sup>                            | A                           | 16/1            |
|   | 110 V   | A                           | 16/2            |
|   | 220 V   | A                           | 16/3            |
|   | 440 V   | A                           | 10/4            |
| Rated operational current / poles in series, DC-23A   | up to 48 V <sup>1)</sup>                            | A                           | 16/1            |
|   | 110 V   | A                           | 16/2            |
|   | 220 V   | A                           | 16/4            |
|   | 440 V   | A                           | 10/4            |
| Rated operational power, AC-23A <sup>2)</sup>   | 230 V   | kW                          | 3               |
| The kW-ratings are accurate for 3-phase 1500 R.P.M. standard asynchronous motors  | 400 V   | kW                          | 7.5             |
|   | 415 V   | kW                          | 7.5             |
|   | 500 V   | kW                          | 7.5             |
|   | 690 V   | kW                          | 7.5             |
| Rated breaking capacity in category AC-23   | up to 415 V   | A                           | 128             |
|   | 500 V   | A                           | 128             |
|   | 690 V   | A                           | 80              |
| Rated conditional short-circuit current $I_p$ (r.m.s.) and corresponding max. allowed cut-off current $\hat{i}_c$ (peak) value. The cut-off current $\hat{i}_c$ refers to values listed by fuse manufacturers (single phase test acc. to IEC60269). | $I_p$ (r.m.s.) 50 kA, 415 V<br>Max. OFA_ fuse size  | $\hat{i}_c$ (peak)<br>gG/aM | kA<br>A/A       |
|   | $I_p$ (r.m.s.) 100 kA, 500 V<br>Max. OFA_ fuse size | $\hat{i}_c$ (peak)<br>gG/aM | kA<br>A         |
| Rated short-time withstand current  | $I_{cw}$ (r.m.s.) 690 V 1s                          | kA                          | 0.5             |
| Rated short-time making capacity <sup>3)</sup>  | $I_{cm}$ (peak) 690 V                               | kA                          | 0.7             |
| Power loss / pole   | With rated current                                  | W                           | 0.3             |
| Mechanical endurance  | Number of oper. cycles <sup>4)</sup>                | Cycles                      | 10 000          |
| Mechanical endurance / switch   | Number of operations                                | Oper.                       | 20 000          |
| Cable size  | Cu-wire size suitable for terminal clamps           | mm <sup>2</sup><br>AWG      | 0.75-10<br>18-8 |
| Terminal tightening torque  | Counter torque required                             | Nm                          | 0.8             |
| Operating torque  | Typical for 3-pole switches                         | Nm                          | 1               |
| Weight without accessories  | 3-pole switch                                       | kg                          | 0.25            |
|   | 4-pole switch                                       | kg                          | 0.31            |

<sup>1)</sup> Below 48 V, two poles in parallel up to OT80 are recommended particularly in polluted atmosphere.

<sup>2)</sup> These values are given for guidance and may vary acc. to the motor manufacturer.

<sup>3)</sup> Short circuit duration >50ms, without fuse protection

<sup>4)</sup> Operating cycle: O - I - O - II - O

### Data according to UL508 (Listed)

|                     |       |    |    |
|---------------------|-------|----|----|
| Current             |       | A  | 16 |
| Horsepower, 3-phase | 200 V | HP | 3  |
|                     | 208 V | HP | 3  |
|                     | 240 V | HP | 5  |
|                     | 480 V | HP | 10 |
|                     | 600 V | HP | 10 |





# Manual change-over switches

## Technical data

| OT25_   | OT40_   | OT63_  | OT80_  | OT100_  | OT125_  |
|---------|---------|--------|--------|---------|---------|
| 750     | 750     | 750    | 750    | 750     | 750     |
| 6       | 6       | 6      | 6      | 6       | 6       |
| 8       | 8       | 8      | 8      | 8       | 8       |
| 32      | 40      | 63     | 80     | 115     | 125     |
| 32      | 40      | 63     | 80     | 115     | 125     |
| 25      | 32      | 50     | 63     | 80      | 100     |
| 6       | 10      | 16     | 25     | 35      | 50      |
| 25      | 40      | 63     | 80     | 100     | 125     |
| 25      | 40      | 63     | 80     | 100     | 125     |
| 25      | 40      | 63     | 80     | 100     | 125     |
| 25      | 40      | 63     | 80     | 100     | 125     |
| 20      | 23      | 45     | 75     | 80      | 90      |
| 20      | 23      | 45     | 65     | 65      | 78      |
| 20      | 23      | 45     | 58     | 60      | 70      |
| 11      | 12      | 20     | 20     | 40      | 50      |
| 25/1    | 32/1    | 63/1   | 80/1   | 100/1   | 125/1   |
| 25/2    | 32/2    | 63/2   | 80/2   | 100/2   | 125/2   |
| 25/3    | 32/3    | 63/4   | 63/4   | 100/4   | 100/4   |
| 16/4    | 16/4    | 16/4   | 16/4   |         |         |
| 16/4    | 16/4    | 16/4   | 16/4   |         |         |
| 25/1    | 32/1    | 63/1   | 80/1   | 100/1   | 125/1   |
| 25/2    | 32/2    | 63/2   | 80/2   | 100/2   | 125/2   |
| 25/3    | 32/4    | 45/4   | 45/4   | 63/4    | 80/4    |
| 10/4    | 10/4    | 10/4   | 10/4   |         |         |
| 25/1    | 32/1    | 63/1   | 80/1   | 100/1   | 125/1   |
| 25/2    | 32/2    | 63/2   | 80/2   | 100/2   | 125/2   |
| 25/4    | 32/4    | 45/4   | 45/4   | 63/4    | 63/4    |
| 10/4    | 10/4    | 10/4   | 10/4   |         |         |
| 4       | 5,5     | 11     | 22     | 22      | 22      |
| 9       | 11      | 22     | 37     | 37      | 45      |
| 9       | 11      | 22     | 37     | 37      | 45      |
| 9       | 11      | 22     | 37     | 37      | 45      |
| 9       | 11      | 15     | 18,5   | 37      | 45      |
| 160     | 184     | 360    | 640    | 640     | 720     |
| 160     | 184     | 360    | 464    | 480     | 560     |
| 88      | 96      | 160    | 160    | 320     | 400     |
| 6.5     | 6.5     | 13     | 13     | 16.5    | 16.5    |
| 40/32   | 40/32   | 100/80 | 100/80 | 125/125 | 125/125 |
|         |         | 17     | 17     |         |         |
|         |         | 100/80 | 100/80 |         |         |
| 0.5     | 0.5     | 1      | 1.5    | 2.5     | 2.5     |
| 0.7     | 0.7     | 1.4    | 2.1    | 3.6     | 3.6     |
| 0.6     | 1.6     | 2.8    | 4.5    | 4.0     | 6.3     |
| 10 000  | 10 000  | 10 000 | 10 000 | 10 000  | 10 000  |
| 20 000  | 20 000  | 20 000 | 20 000 | 20 000  | 20 000  |
| 0.75-10 | 0.75-10 | 1.5-35 | 1.5-35 | 10-70   | 10-70   |
| 18-8    | 18-8    | 14-4   | 14-4   | 8-00    | 8-00    |
| 0.8     | 0.8     | 2      | 2      | 6       | 6       |
| 1       | 1       | 1.2    | 1.2    | 2       | 2       |
| 0.25    | 0.25    | 0.64   | 0.64   | 0.90    | 0.90    |
| 0.31    | 0.31    | 0.70   | 0.70   | 1.18    | 1.18    |
| 25      | 40      | 60     | 80     |         |         |
| 7.5     | 10      | 15     | 20     |         |         |
| 7.5     | 10      | 15     | 20     |         |         |
| 7.5     | 10      | 15     | 20     |         |         |
| 15      | 20      | 30     | 40     |         |         |
| 20      | 25      | 30     | 40     |         |         |



# Manual, motorized and automatic transfer switches

## Technical data

### Manual, motorized and automatic transfer switches

Data according to IEC 60947-3

|   | Switch size                          |                    | OT_160_ | OT_200_ | OT_250_ |         |
|---|--------------------------------------|--------------------|---------|---------|---------|---------|
| Rated insulation voltage and rated operational voltage AC20/DC20 <sup>1)</sup>                                      | Pollution degree 3                   | V                  | 1000    | 1000    | 1000    |         |
| Dielectric strength   | 50 Hz 1min.                          | kV                 | 10      | 10      | 10      |         |
| Rated impulse withstand voltage   |                                      | kV                 | 12      | 12      | 12      |         |
| Rated thermal current and rated operational current AC20/DC20   | / ambient 40°C                       | In open air        | A       | 160     | 200     | 250     |
|   | / ambient 40°C                       | In enclosure       | A       | 160     | 200     | 250     |
| ..with minimum conductor cross section  | Cu                                   | mm <sup>2</sup>    | 70      | 95      | 120     |         |
| Rated operational current, AC-21A   | up to 500 V                          | A                  | 160     | 200     | 250     |         |
|   | 690 V                                | A                  | 160     | 200     | 250     |         |
| Rated operational current, AC-22A   | up to 500 V                          | A                  | 160     | 200     | 250     |         |
|   | 690 V                                | A                  | 160     | 200     | 250     |         |
| Rated operational current, AC-23A   | up to 415 V                          | A                  | 160     | 200     | 250     |         |
|   | 440 V                                | A                  | 160     | 200     | 250     |         |
|   | 500 V                                | A                  | 160     | 200     | 250     |         |
|   | 690 V                                | A                  | 160     | 200     | 250     |         |
| Rated operational current / poles in series, DC-21A...23A   | ≤ 110 V                              | A                  | 160/2   | 200/2   | 250/2   |         |
|   | 220 V                                | A                  | 160/2   | 200/2   | 250/2   |         |
|   | 440 V                                | A                  | 160/3   | 200/3   | 230/3   |         |
|   | 660 V                                | A                  | 160/4   | 200/4   | 200/4   |         |
| Rated operational power, AC-23A <sup>3)</sup>   | 230 V                                | kW                 | 45      | 60      | 75      |         |
|   | 400 V                                | kW                 | 90      | 110     | 140     |         |
| R.P.M. standard asynchronous motors   | 415 V                                | kW                 | 90      | 110     | 145     |         |
|   | 500 V                                | kW                 | 110     | 132     | 170     |         |
|   | 690 V                                | kW                 | 160     | 200     | 250     |         |
| Rated breaking capacity in category AC-23   | up to 415 V                          | A                  | 1 280   | 1 600   | 2 000   |         |
|   | 500 V                                | A                  | 1 280   | 1 600   | 2 000   |         |
|   | 690 V                                | A                  | 1 280   | 1 600   | 2 000   |         |
| Rated conditional short-circuit current $I_p$ (r.m.s.) and cut-off current $\hat{i}_c$ (peak) value.                | $I_p$ (r.m.s.) 80 kA, 415 V          | $\hat{i}_c$ (peak) | kA      | 40.5    | 40.5    | 40.5    |
|   | Max. OFA_fuse size                   | gG/aM              | A/A     | 355/315 | 355/315 | 355/315 |
| The cut-off current $\hat{i}_c$ refers to values listed by fuse manufacturers (single phase test acc. to IEC60269). | $I_p$ (r.m.s.) 100 kA, 500 V         | $\hat{i}_c$ (peak) | kA      | 40.5    | 40.5    | 40.5    |
|   | Max. OFA_fuse size                   | gG/aM              | A       | 315/315 | 315/315 | 315/315 |
| Rated short-time withstand current $I_{RW}$ (r.m.s.)  | 690 V 0.15s                          | kA                 | 15      | 15      | 15      |         |
|   | 690 V 0.25s                          | kA                 | 15      | 15      | 15      |         |
|   | 690 V 1s                             | kA                 | 8       | 8       | 8       |         |
| Rated short-time making capacity <sup>4)</sup>  | $I_{cm}$ (peak) <sup>5)</sup>        | 690 V              | kA      | 30      | 30      | 30      |
| Power loss / pole   | With rated current                   | W                  | 2.4     | 4       | 6.5     |         |
| Mechanical endurance  | Number of oper. cycles <sup>6)</sup> | Cycles             | 8 000   | 8 000   | 8 000   |         |
| Mechanical endurance / switch   | Number of operations                 | Oper.              | 16 000  | 16 000  | 16 000  |         |
| Terminal bolt size  | Metric thread diameter x length      | mm                 | M8x25   | M8x25   | M8x25   |         |
| Terminal tightening torque  | Counter torque required              | Nm                 | 15-22   | 15-22   | 15-22   |         |
| Operating torque  | Typical for 3-pole switches          | Nm                 | 7       | 7       | 7       |         |
| Weight without accessories  | 3-pole switch                        | kg                 | 2.5     | 2.5     | 2.5     |         |
|   | 4-pole switch                        | kg                 | 3.2     | 3.2     | 3.2     |         |
| Motorized and automatic transfer switches   | 3-pole switch                        | kg                 | 5.7     | 5.7     | 5.7     |         |
|   | 4-pole switch                        | kg                 | 6.4     | 6.4     | 6.4     |         |

### Data according to IEC 60947-6-1

|  |             |    |     |     |     |
|--|-------------|----|-----|-----|-----|
| Class of equipment                                   |             |    | PC  | PC  | PC  |
| Rated short-time withstand current $I_{cw}$ (r.m.s.) | 690 V 0.1s  | kA | 15  | 15  | 15  |
| Rated operational current, AC-31B                    | up to 415 V | A  | 160 | 200 | 250 |
| Rated operational current, AC-33B                    | up to 415 V | A  | 160 | 200 | 250 |

<sup>1)</sup> Automatic transfer switches, operational voltage max. 415 V AC.

<sup>2)</sup> Utilization category B

<sup>3)</sup> These values are given for guidance and may vary acc. to the motor manufacturer.

<sup>4)</sup> Short circuit duration >50ms, without fuse protection

<sup>5)</sup> Max. distance from switch frame to nearest busbar / cable support 150 mm

<sup>6)</sup> Operating cycle: O - I - O - II - O

<sup>7)</sup> Category AC-21B, up to 415V

<sup>8)</sup> For manual change-over switches.

<sup>9)</sup> For motorized and automatic transfer switches.



# Manual, motorized and automatic transfer switches

## Technical data

| OT_315_             | OT_400_             | OT_630_                              | OT_800_                              | OT_1000_    | OT_1250_    | OT_1600_    | OT_2000_           | OT_2500_           |
|---------------------|---------------------|--------------------------------------|--------------------------------------|-------------|-------------|-------------|--------------------|--------------------|
| 1000                | 1000                | 1000                                 | 1000                                 | 1 000       | 1 000       | 1 000       | 1 000              | 1 000              |
| 10                  | 10                  | 10                                   | 10                                   | 10          | 10          | 10          | 10                 | 10                 |
| 12                  | 12                  | 12                                   | 12                                   | 12          | 12          | 12          | 12                 | 12                 |
| 315                 | 400                 | 630                                  | 800                                  | 1 000       | 1 250       | 1 600       | 2000               | 2500               |
| 315                 | 400                 | 630                                  | 800                                  |             |             |             |                    |                    |
| 185                 | 240                 | 2 x 185                              | 2x240                                | 2 x 300     | 2 x 400     | 2 x 500     | 3 x 500            | 4 x 500            |
| 315                 | 400                 | 630                                  | 800                                  | 1 000       | 1 250       | 1 600       | 2000 <sup>7)</sup> | 2500 <sup>7)</sup> |
| 315                 | 400                 | 630                                  | 800                                  | 1 000       | 1 250       | 1 600       |                    |                    |
| 315                 | 400                 | 630                                  | 800                                  | 1 000       | 1 250       | 1 600       |                    |                    |
| 315                 | 400                 | 630                                  | 800                                  | 1 000       | 1 250       | 1 600       |                    |                    |
| 315                 | 400                 | 630                                  | 800                                  | 1 000       | 1 250       | 1 250       |                    |                    |
| 315                 | 400                 | 630                                  | 800                                  | 1 000       | 1 250       | 1 250       |                    |                    |
| 315                 | 400                 | 630                                  | 800                                  | 1 000       | 1 250       | 1 250       |                    |                    |
| 315                 | 400                 | 630                                  | 800                                  | 1 000       | 1 250       | 1 250       |                    |                    |
| 315/1 <sup>2)</sup> | 400/1 <sup>2)</sup> | 630/1                                | 800/1                                |             |             |             |                    |                    |
| 315/2 <sup>2)</sup> | 400/2 <sup>2)</sup> | 630/1                                | 800/1                                |             |             |             |                    |                    |
| 315/3               | 360/3               | 630/2                                | 720/2                                |             |             |             |                    |                    |
| 315/4               | 315/4               | 630/4 <sup>2)</sup>                  | 630/4 <sup>2)</sup>                  |             |             |             |                    |                    |
| 100                 | 132                 | 200                                  | 250                                  | 315         | 400         | 400         |                    |                    |
| 160                 | 220                 | 355                                  | 450                                  | 560         | 710         | 710         |                    |                    |
| 180                 | 230                 | 355                                  | 450                                  | 560         | 710         | 710         |                    |                    |
| 220                 | 280                 | 400                                  | 560                                  | 710         | 900         | 900         |                    |                    |
| 315                 | 400                 | 630                                  | 800                                  | 1 000       | 1 200       | 1 200       |                    |                    |
| 2 520               | 3 200               | 5 040                                | 6 400                                | 10 000      | 10 000      | 10 000      |                    |                    |
| 2 520               | 3 200               | 5 040                                | 6 400                                | 10 000      | 10 000      | 10 000      |                    |                    |
| 2 520               | 3 200               | 5 040                                | 6 400                                | 10 000      | 10 000      | 10 000      |                    |                    |
| 59                  | 59                  | 83.5                                 | 83.5                                 | 100         | 100         | 100         |                    |                    |
| 500/500             | 500/500             | 800/1 000                            | 800/1 000                            | 1 250/1 250 | 1 250/1 250 | 1 250/1 250 |                    |                    |
| 61.5                | 61.5                | 90                                   | 90                                   | 106         | 106         | 106         |                    |                    |
| 500/450             | 500/450             | 800/800                              | 800/800                              | 1 250/1 250 | 1 250/1 250 | 1 250/1 250 |                    |                    |
| 59                  | 59                  | 83.5                                 | 83.5                                 |             |             |             |                    |                    |
| 500/500             | 500/500             | 800/1 000                            | 800/1 000                            |             |             |             |                    |                    |
| 31                  | 31                  | 38                                   | 38                                   | 50          | 50          | 50          | 50                 | 50                 |
| 24                  | 24                  | 36                                   | 36                                   | 50          | 50          | 50          | 50                 | 50                 |
| 15                  | 15                  | 20                                   | 20                                   | 50          | 50          | 50          | 55                 | 55                 |
| 65                  | 65                  | 80                                   | 80                                   | 92          | 92          | 92          | 110                | 110                |
| 6.5                 | 10                  | 25                                   | 40                                   | 19          | 29          | 48          | 55                 | 85                 |
| 8 000               | 8 000               | 5 000                                | 5 000                                | 3 000       | 3 000       | 3 000       | 2000               | 2000               |
| 16 000              | 16 000              | 10 000                               | 10 000                               | 6 000       | 6 000       | 6 000       | 4000               | 4000               |
| M10x30              | M10x30              | M12x40                               | M12x40                               | M12x60      | M12x60      | M12x60      | M12x60             | M12x60             |
| 30-44               | 30-44               | 50-75                                | 50-75                                | 50-75       | 50-75       | 50-75       | 50-75              | 50-75              |
| 16                  | 16                  | 27                                   | 27                                   | 78          | 78          | 78          | 78                 | 78                 |
| 4.7                 | 4.7                 | 12.8                                 | 12.8                                 | 32.3        | 32.3        | 34.8        | 48                 | 48                 |
| 5.8                 | 5.8                 | 15.6                                 | 15.6                                 | 40.2        | 40.2        | 43.3        | 60                 | 60                 |
| 10.2                | 10.2                | 17.5                                 | 17.5                                 | 42          | 42          | 44          | 56                 | 56                 |
| 11.4                | 11.4                | 20.4                                 | 20.4                                 | 50          | 50          | 52          | 70                 | 70                 |
| PC                  | PC                  | PC                                   | PC                                   | PC          | PC          | PC          | PC                 | PC                 |
| 25                  | 25                  | 38                                   | 38                                   | 50          | 50          | 50          | 50                 | 50                 |
| 315                 | 400                 | 630 <sup>8)</sup> /650 <sup>9)</sup> | 800 <sup>8)</sup> /720 <sup>9)</sup> | 1 000       | 1 250       | 1 600       | 2000 <sup>8)</sup> | 2000 <sup>8)</sup> |
| 315                 | 400                 | 630 <sup>8)</sup> /650 <sup>9)</sup> | 800 <sup>8)</sup> /650 <sup>9)</sup> | 1 000       | 1 000       | 1 000       |                    |                    |



# Motorized change-over switches

## Technical data, motor operators

### Data for motor operator

according to IEC 60947

|   |   |                    |                 | Switch size                 | 160...250 | 315...400 | 630...800          | 1000...1600 | 2000...2500 |
|---|---|--------------------|-----------------|-----------------------------|-----------|-----------|--------------------|-------------|-------------|
| Rated operational voltage U <sub>e</sub>            | Pollution degree 3<br>50/60 Hz              |                    | V AC            |                             | 220 - 240 |           |                    |             |             |
|   |   |                    | V AC/DC         |                             | 110 - 125 |           |                    |             |             |
|   |   |                    | V DC            |                             | 48        |           |                    |             |             |
|   |   |                    | V DC            |                             | 24        |           |                    |             |             |
| Operating voltage range                             |   |                    |                 | 0,85 - 1,1 x U <sub>e</sub> |           |           |                    |             |             |
| Operating time <sup>1)</sup>                        | 90° I-0, 0-I, 0-II, II-0                    | 220-240VAC         | s               | 0,4-1,0                     | 0,4-1,0   | 0,4-1,0   | 0,5-1,5            | 0,5-1,5     | 0,5-1,5     |
|   |   | 110-125VAC/DC      | s               | 0,5-1,5                     | 0,5-1,5   | 0,6-1,2   | 0,5-1,5            | 0,5-1,5     | 0,5-1,5     |
|   |   | 48VDC              | s               | 0,5-1,5                     | 0,4-1,0   | 0,6-1,6   | 0,5-1,5            | 0,5-1,5     | 0,5-1,5     |
|   |   | 24VDC              | s               | 0,4-1,0                     | 0,4-1,0   | 0,5-1,5   | 1,0-2,0            | 1,0-2,0     | 1,0-2,0     |
| Operating transfer time <sup>1)</sup>               | 180° I-0-II, II-0-I                         | 220-240VAC         | s               | 1,0-2,0                     | 0,9-2,0   | 0,9-2,0   | 1,5-3,0            | 1,5-3,0     | 1,5-3,0     |
|   |   | 110-125VAC/DC      | s               | 1,1-2,5                     | 1,2-2,6   | 1,2-3,0   | 1,5-3,0            | 1,5-3,0     | 1,5-3,0     |
|   |   | 48VDC              | s               | 1,4-2,5                     | 1,0-2,0   | 1,3-3,0   | 1,5-3,0            | 1,5-3,0     | 1,5-3,0     |
|   |   | 24VDC              | s               | 1,0-2,0                     | 1,0-2,0   | 1,1-2,5   | 2,0-3,5            | 2,0-3,5     | 2,0-3,5     |
| OFF -time when operating I-II or II-I <sup>1)</sup> | 180° I-II, II-I                             | 220-240VAC         | s               | 0,4-1,0                     | 0,4-1,0   | 0,4-1,0   | 0,5-1,5            | 0,5-1,5     | 0,5-1,5     |
|   |   | 110-125VAC/DC      | s               | 0,4-1,1                     | 0,5-1,5   | 0,6-1,5   | 0,5-1,5            | 0,5-1,5     | 0,5-1,5     |
|   |   | 48VDC              | s               | 0,5-1,1                     | 0,4-1,0   | 0,7-1,6   | 0,5-1,5            | 0,5-1,5     | 0,5-1,5     |
|   |   | 24VDC              | s               | 0,4-1,0                     | 0,4-1,0   | 0,5-1,5   | 0,8-1,7            | 0,8-1,7     | 0,8-1,7     |
| Nominal current I <sub>n</sub> <sup>1)</sup>        |   | 220-240VAC         | A               | 0,2                         | 0,5       | 0,7       | 1,8                | 1,8         | 1,8         |
|   |   | 110-125VAC/DC      | A               | 0,5                         | 0,6       | 0,8       | 3,0                | 3,0         | 3,0         |
|   |   | 48VDC              | A               | 1,1                         | 2,1       | 2,6       | 5,3                | 5,3         | 5,3         |
|   |   | 24VDC              | A               | 3,3                         | 4,2       | 4         | 8,0                | 8,0         | 8,0         |
| Current Inrush <sup>1)</sup>                        |   | 220-240VAC         | A               | 1,3                         | 2,1       | 2,8       | 7,7                | 7,7         | 7,7         |
|   |   | 110-125VAC/DC      | A               | 2,1                         | 2,5       | 4,6       | 13,3               | 13,3        | 13,3        |
|   |   | 48VDC              | A               | 4,4                         | 8,3       | 8,4       | 22,4               | 22,4        | 22,4        |
|   |   | 24VDC              | A               | 16,8                        | 17,5      | 22,4      | 26,6               | 26,6        | 26,6        |
| Overload fuse                                       | Type / In / Capacity                        | 220-240VAC         | mA              | T/315/H                     | T/500/H   | T/1000/H  | T/2000/H           | T/2000/H    | T/2000/H    |
|   |   | 110-125VAC/DC      | mA              | T/500/H                     | T/630/H   | T/1000/H  | T/4000/H           | T/4000/H    | T/4000/H    |
|   |   | 48VDC              | A               | T/1,25/H                    | T/2,5/H   | T/2,5/H   | T/5/H              | T/5/H       | T/5/H       |
|   |   | 24VDC              | A               | T/4,0/H                     | T/5,0/H   | T/5,0/H   | T/10/H             | T/10/H      | T/10/H      |
| Operating rate                                      | Size<br>Cycle 0-I-0-II-0<br>Max. continuous | 220-240VAC         | cycles/min      | 1                           | 1         | 1         | 0,5                | 0,5         | 0,5         |
|   |   | 110-125VAC/DC      | cycles/min      | 1                           | 1         | 1         | 0,5                | 0,5         | 0,5         |
|   |   | 48VDC              | cycles/min      | 1                           | 1         | 1         | 0,5                | 0,5         | 0,5         |
|   |   | 24VDC              | cycles/min      | 1                           | 1         | 1         | 0,5                | 0,5         | 0,5         |
|   | Max. short-time ≤ 10<br>cycles              | 220-240VAC         | cycles/min      | 10                          | 10        | 10        | 5                  | 5           | 5           |
|   |   | 110-125VAC/DC      | cycles/min      | 10                          | 10        | 10        | 5                  | 5           | 5           |
|   |   | 48VDC              | cycles/min      | 10                          | 10        | 10        | 5                  | 5           | 5           |
|   |   | 24VDC              | cycles/min      | 10                          | 10        | 10        | 5                  | 5           | 5           |
| Overvoltage category                                |   |                    |                 |                             |           |           | III                |             |             |
| Rated impulse withstand voltage U <sub>imp</sub>    |   |                    | kV              |                             |           | 4         |                    |             |             |
| Dielectric strength                                 | 50 Hz 1 min.                                |                    | kV              |                             |           | 1,5       |                    |             |             |
| Impulse command                                     | Min. impulse duration                       |                    | ms              |                             |           | 100       |                    |             |             |
| <b>Terminals</b>                                    |   |                    |                 |                             |           |           |                    |             |             |
| Voltage supply wiring for U <sub>e</sub>            |   |                    |                 |                             |           |           | PE - N - L         |             |             |
| Cross section                                       |   | solid/<br>stranded | mm <sup>2</sup> |                             |           |           | 1,5 - 2,5          |             |             |
| Short-circuit protection device                     |   | max.fuse size      | A               |                             |           |           | 16                 |             |             |
| Push-button control                                 |   | C - II - I - O     |                 |                             |           |           | no SELV            |             |             |
| Cross section                                       |   | solid/<br>stranded | mm <sup>2</sup> |                             |           |           | 1,5 - 2,5          |             |             |
| Maximum cable length                                |   |                    | m               |                             |           |           | 100                |             |             |
| State information of locking                        |   |                    |                 |                             |           |           | no SELV            |             |             |
| Handle attached or motor operator locked            |   | 11-12-14 (C/O)     |                 |                             |           |           | 5A/250V/<br>cosφ=1 |             |             |
| Locking motor operator                              |   | 23-24 (NO)         |                 |                             |           |           | 5A/250V/<br>cosφ=1 |             |             |
| Short-circuit protection device                     |   | MCB type and size  |                 |                             |           |           | C/2A               |             |             |
| Protection degree                                   |   |                    |                 |                             |           |           | IP20               |             |             |
| Operating temperature                               |   |                    | °C              |                             |           |           | -25...+55          |             |             |
| Transportation and storage temperature              |   |                    | °C              |                             |           |           | -40...+70          |             |             |
| Max. altitude                                       |   |                    | m               |                             |           |           | 2000               |             |             |

<sup>1)</sup> Under nominal conditions



# Automatic transfer switches

## Technical data, power circuit, motor operators

### Automatic transfer switches

#### Technical data

| Automatic transfer switch, power circuit         | Value                            |
|--|----------------------------------|
| <b>OTM C2D</b>                                   |                                  |
| Rated operational voltage U <sub>e</sub>         | 208 - 415 V AC +/- 20 % + N      |
| Phase - neutral                                  | 120 - 240 V AC +/- 20 %          |
| Rated frequency                                  | 50 / 60 Hz +/- 10 %              |
| Rated impulse withstand voltage U <sub>imp</sub> | 6 kV                             |
| <b>OTM C3D</b>                                   |                                  |
| Rated operational voltage U <sub>e</sub>         | 208 - 415 V AC +/- 20 % + N      |
| Phase - neutral                                  | 120 - 240 V AC +/- 20 %          |
| Rated frequency                                  | 50 / 60 Hz +/- 10 %              |
| Rated impulse withstand voltage U <sub>imp</sub> | 6 kV                             |
| <b>OTM C8D</b>                                   |                                  |
| Rated operational voltage U <sub>e</sub>         | 100 - 415 V AC +/- 20 %          |
| Phase - neutral                                  | 57.7 - 240 V AC +/- 20 %         |
| Rated frequency                                  | 50 / 60 Hz +/- 10 %              |
| Rated impulse withstand voltage U <sub>imp</sub> | 6 kV                             |
| AUX voltage, if voltage 57.7 - 109 V AC          | 24 V DC - 110 V DC (-10 to 15 %) |
| Operating temperature                            | -5...+40°C                       |
| Transportation and storage temperature           | -40...+70°C                      |
| Altitude   | Max.2000m                        |

### Motor operator, control circuit

| Motor operator, control circuit                  | OTM160...250                     | OTM315...400    | OTM630...800   | OTM1000...1600 |          |          |
|--|----------------------------------|-----------------|----------------|----------------|----------|----------|
| Rated operational voltage U [V]                  | Pollution degree 3               | 50/60 Hz        | 220 - 240 V AC |                |          |          |
| Operating voltage range                          | 0.8...1.2 x U <sub>e</sub>       |                 |                |                |          |          |
| Operating times                                  | See the table below              |                 |                |                |          |          |
| Nominal current I <sub>n</sub> <sup>a)</sup>     | A                                | 0.2             | 0.5            | 0.7            | 1.8      |          |
| Current Inrush <sup>a)</sup>                     | A                                | 1.3             | 2.1            | 2.8            | 7.7      |          |
| Overload fuse                                    | Type / I <sub>n</sub> / Capacity | mA              | T/315/H        | T/500/H        | T/1000/H | T/2000/H |
| Operating rate                                   | Size                             | mm              | 5x20           | 5x20           | 5x20     | 5x20     |
|  | Cycle 0 - I - 0 - II - 0         |                 |                |                |          |          |
|  | Max. continuous                  | cycles / min    | 1              | 1              | 1        | 0.5      |
|  | Max. short-time ≤ 10 cycles      | cycles / min    | 10             | 10             | 10       | 5        |
| Overvoltage category                             | III                              |                 |                |                |          |          |
| Rated impulse withstand voltage U <sub>imp</sub> | kV                               |                 | 4              |                |          |          |
| Dielectric strength                              | 50 Hz 1 min.                     |                 | kV             |                | 1.5      |          |
| <b>Terminals</b>                                 |                                  |                 |                |                |          |          |
| Voltage supply wiring for U                      |                                  |                 | PE - N - L     |                |          |          |
| Cross section                                    | solid/stranded                   | mm <sup>2</sup> | 1.5 - 2.5      |                |          |          |
| Short-circuit protection device                  | max.fuse size                    |                 | A              |                | 16       |          |
| <b>State information of locking</b>              |                                  |                 |                |                |          |          |
| Cross section                                    | solid/stranded                   | mm <sup>2</sup> | 1.5 - 2.5      |                |          |          |
| Handle attached or motor operator locked         | 11-12-14 (C/O)                   |                 | 5A/250V/cosφ=1 |                |          |          |
| Locking motor operator                           | 23-24 (NO)                       |                 | 5A/250V/cosφ=1 |                |          |          |
| Short-circuit protection device                  | MCB type and size                |                 | C/2A           |                |          |          |
| Protection degree                                | IP20                             |                 |                |                |          |          |
| Operating temperature                            | °C                               |                 | -25...+55      |                |          |          |
| Transportation and storage temperature           | °C                               |                 | -40...+70      |                |          |          |
| Max. altitude                                    | m                                |                 | 2000           |                |          |          |

### Operating times

| Type               | Operating transfer time <sup>a)</sup> | Total transfer time <sup>a) b)</sup> | OFF-time when operating <sup>a)</sup> |
|--------------------|---------------------------------------|--------------------------------------|---------------------------------------|
|                    | I - II, II - I [s]                    | I - II, II - I [s]                   | I - II, II - I [s]                    |
| OTM160...250_C2D   | 2.0 - 4.0                             | 2.0 - 35.0                           | 0.4 - 1.0                             |
| OTM160...250_C3D   | 2.0 - 4.0                             | 2.0 - 35.0                           | 0.4 - 1.0                             |
| OTM160...250_C8D   | 1.5 - 3.0                             | 1.5 - 35.0                           | 0.4 - 1.0                             |
| OTM315...400_C2D   | 2.0 - 5.0                             | 2.0 - 35.0                           | 0.4 - 1.0                             |
| OTM315...400_C3D   | 2.0 - 5.0                             | 2.0 - 35.0                           | 0.4 - 1.0                             |
| OTM315...400_C8D   | 1.5 - 3.0                             | 1.5 - 35.0                           | 0.4 - 1.0                             |
| OTM630...800_C2D   | 2.0 - 5.0                             | 2.0 - 35.0                           | 0.4 - 1.0                             |
| OTM630...800_C3D   | 2.0 - 5.0                             | 2.0 - 35.0                           | 0.4 - 1.0                             |
| OTM630...800_C8D   | 1.5 - 3.0                             | 1.5 - 35.0                           | 0.4 - 1.0                             |
| OTM1000...1600_C2D | 3.0 - 6.0                             | 3.0 - 36.0                           | 0.6 - 1.5                             |
| OTM1000...1600_C3D | 3.0 - 6.0                             | 3.0 - 36.0                           | 0.6 - 1.5                             |
| OTM1000...1600_C8D | 2.5 - 4.0                             | 2.5 - 35.0                           | 0.6 - 1.5                             |

<sup>a)</sup> Under nominal conditions

<sup>b)</sup> Ts 0s (Min) - Ts 30s (Max)



# UL/CSA manual change-over switches

## Technical data

### Manual change-over switches

Data according to UL and CSA

|   |                     | Switch size     | OT200U_            | OT400U_            | OT600U_            |     |
|---|---------------------|-----------------|--------------------|--------------------|--------------------|-----|
| Standards                                   |                     |                 | UL98<br>CSA 22.2#4 | UL98<br>CSA 22.2#4 | UL98<br>CSA 22.2#4 |     |
| General use ratings - 1- or 3-phase ratings |                     | V               | 600                | 600                | 600                |     |
|   |                     | A               | 200                | 400                | 600                |     |
| Horsepower, 3-phase ratings                 |                     | 240V HP         | 75                 | 125                | 200                |     |
|   |                     | 480V HP         | 150                | 250                | 450                |     |
|   |                     | 600V HP         | 200                | 350                | 500                |     |
| Short-circuit ratings                       | Required protection | Circuit breaker | kA                 | 14                 | 25                 | 35  |
|   |                     | Class J/L fuse  | kA                 | 65/100             | 100                | 100 |
|   |                     | ...fuse size    | A                  | 400/200            | 600                | 800 |
|   |                     | Class RK5 fuse  | kA                 |                    |                    | 100 |
|   |                     | ...fuse size    | A                  |                    |                    | 600 |

### Data according to IEC 60947-3

|  |   |              |                 |         |         |         |
|--|---|--------------|-----------------|---------|---------|---------|
| Rated insulation voltage and rated operational voltage AC20/DC20   | Pollution degree 3                                    | V            | 1000            | 1000    | 1000    |         |
| Dielectric strength  | 50 Hz 1min.   | kV           | 10              | 10      | 10      |         |
| Rated impulse withstand voltage  |   | kV           | 12              | 12      | 12      |         |
| Rated thermal current and rated operational current AC20/DC20  | / ambient 40°C  | In open air  | A               | 250     | 400     | 800     |
| ...with minimum conductor cross section  |   | Cu           | mm <sup>2</sup> | 120     | 240     | 2x240   |
| Rated operational current, AC-21A  |   | up to 690 V  | A               | 250     | 400     | 800     |
| Rated operational current, AC-22A  |   | up to 500 V  | A               | 250     | 400     | 800     |
|  |   | 690 V        | A               | 250     | 400     | 800     |
| Rated operational current, AC-23A  |   | up to 500 V  | A               | 250     | 400     | 800     |
|  |   | 690 V        | A               | 250     | 400     | 800     |
| Rated conditional short-circuit current $I_n$ (r.m.s.) and corresponding max. allowed cut-off current $\hat{i}_c$ peak value <sup>1)</sup> | $I_n$ (r.m.s.) : 100 kA, 500 V<br>Max. OFA_ fuse size | $i_c$ (peak) | kA              | 40.5    | 61.5    | 90      |
|  | $I_n$ (r.m.s.) : 80 kA, 690 V<br>Max. OFA_ fuse size  | $i_c$ (peak) | kA              | 40.5    | 59      | 83,5    |
| Rated short-time withstand current   | $I_{sw}$ (r.m.s.)                                     | 690V, 1s     | kA              | 8       | 15      | 20      |
| Rated short-circuit making capacity  | $I_{cm}$ (peak)                                       | 690V         | kA              | 30      | 65      | 80      |
| Mechanical endurance   | Number of operating cycles <sup>2)</sup>              |              | Cycles          | 8000    | 8000    | 5000    |
| Mechanical endurance / switch  | Number of operations                                  |              | Oper.           | 16000   | 16000   | 10000   |
| Terminal bolt size   | Metric thread diameter x length                       |              | mm              | M8x25   | M10x30  | M12x40  |
| Terminal tightening torque   | Counter torque required                               |              | Nm              | 15...22 | 30...44 | 50...75 |
| Operating torque   | 3-pole switches                                       |              | Nm              | 7       | 16      | 27      |

### Data according to IEC 60947-6-1

|                           |        |             |   |     |     |     |
|---------------------------|--------|-------------|---|-----|-----|-----|
| Rated operational current | AC-31B | up to 415 V | A | 250 | 400 | 800 |
|                           | AC-33B | up to 415 V | A | 250 | 400 | 800 |

<sup>1)</sup> The fuse in single-phase test according to IEC 60269.

<sup>2)</sup> Operating cycle: O - I - O - II - O.

### Auxiliary contacts

Technical data for auxiliary contacts according to IEC 60947-5-1

| For OA1G_, OA2G_, OA3G_, OA7G_, OA8G_ |        |        |        |       |        |       |
|---------------------------------------|--------|--------|--------|-------|--------|-------|
| AC15                                  |        | DC12   |        |       | DC13   |       |
| Ue/[V]                                | Ie/[A] | Ue/[V] | Ie/[A] | P/[W] | Ie/[A] | P/[W] |
| 230                                   | 6      | 24     | 10     | 240   | 2      | 50    |
| 400                                   | 4      | 72     | 4      | 290   | 0.8    | 60    |
| 415                                   | 4      | 125    | 2      | 250   | 0.55   | 70    |
| 690                                   | 2      | 250    | 0.55   | 140   | 0.27   | 70    |
|                                       |        | 440    | 0.1    | 44    |        |       |



# Manual change-over switches

## Ordering information

### Manual change-over switches, I-O-II -operation, open transition

Including terminal clamps, IP20. Handle and shaft has to be ordered separately. OT 16...80 are UL Listed.

| Number of poles | Rated current AC-21A...AC-22A |             | Rated power AC-23A | Cable cross section [mm <sup>2</sup> ] | Type     | Order number    | Weight [kg] |
|-----------------|-------------------------------|-------------|--------------------|--|----------|-----------------|-------------|
|                 | Up to 415V I[A]               | 400V S[kVA] |                    |  |          |                 |             |
| 3               | 16                            | 11          | 16/7.5             | 0.75 ... 10                            | OT16F3C  | 1SCA104816R1001 | 0.25        |
| 4               | 16                            | 11          | 16/7.5             | 0.75 ... 10                            | OT16F4C  | 1SCA104831R1001 | 0.31        |
| 3               | 25                            | 17          | 20/9               | 0.75 ... 10                            | OT25F3C  | 1SCA104863R1001 | 0.25        |
| 4               | 25                            | 17          | 20/9               | 0.75 ... 10                            | OT25F4C  | 1SCA104877R1001 | 0.31        |
| 3               | 40                            | 27          | 23/11              | 0.75 ... 10                            | OT40F3C  | 1SCA104913R1001 | 0.25        |
| 4               | 40                            | 27          | 23/11              | 0.75 ... 10                            | OT40F4C  | 1SCA104934R1001 | 0.31        |
| 3               | 63                            | 43          | 45/22              | 1.5 ... 35                             | OT63F3C  | 1SCA105338R1001 | 0.64        |
| 4               | 63                            | 43          | 45/22              | 1.5 ... 35                             | OT63F4C  | 1SCA105369R1001 | 0.70        |
| 3               | 80                            | 55          | 75/37              | 1.5 ... 35                             | OT80F3C  | 1SCA105402R1001 | 0.64        |
| 4               | 80                            | 55          | 75/37              | 1.5 ... 35                             | OT80F4C  | 1SCA105418R1001 | 0.70        |
| 3               | 100                           | 70          | 80/37              | 10 ... 70                              | OT100F3C | 1SCA105008R1001 | 0.90        |
| 4               | 100                           | 70          | 80/37              | 10 ... 70                              | OT100F4C | 1SCA105019R1001 | 1.18        |
| 3               | 125                           | 86          | 90/45              | 10 ... 70                              | OT125F3C | 1SCA105037R1001 | 0.90        |
| 4               | 125                           | 86          | 90/45              | 10 ... 70                              | OT125F4C | 1SCA105054R1001 | 1.18        |



OT16...40F3C



OT63...80F3C



OT100...125F3C



OT160...250E03CP



OT160...250E03WCP



OT160...250E04CP



OT160...250E04WCP



OT315...400E13CP

### Manual change-over switches, I-O-II -operation, open transition

Including a black plastic IP65 I - O - II pistol type handle, see the table below, shaft and bolt set for the cable connection. Handle padlockable in the O-position, door interlock in the I- and II-positions and when padlocked.

| Number of poles | Rated current AC-21A...AC-22A |             | Rated power AC-23A | Type | Order number | Weight [kg] |
|-----------------|-------------------------------|-------------|--------------------|------|--------------|-------------|
|                 | Up to 415V I[A]               | 400V S[kVA] |                    |      |              |             |

Place of mechanism, see the picture. Types -W: with wide phase distance.

|   |      |     |          |             |                 |      |
|---|------|-----|----------|-------------|-----------------|------|
| 3 | 160  | 110 | 160/90   | OT160E03CP  | 1SCA022772R6510 | 3.3  |
| 3 |      |     |          | OT160E12CP  | 1SCA022776R9080 | 3.3  |
| 3 |      |     |          | OT160E03WCP | 1SCA022772R8210 | 3.6  |
| 4 |      |     |          | OT160E04CP  | 1SCA022775R9440 | 4.1  |
| 4 |      |     |          | OT160E13CP  | 1SCA022777R0170 | 4.1  |
| 4 |      |     |          | OT160E04WCP | 1SCA022775R0220 | 4.4  |
| 3 | 200  | 135 | 200/110  | OT200E03CP  | 1SCA022771R7520 | 3.3  |
| 3 |      |     |          | OT200E12CP  | 1SCA022776R8510 | 3.3  |
| 3 |      |     |          | OT200E03WCP | 1SCA022772R8720 | 3.6  |
| 4 |      |     |          | OT200E04CP  | 1SCA022771R7280 | 4.1  |
| 4 |      |     |          | OT200E13CP  | 1SCA022777R0250 | 4.1  |
| 4 |      |     |          | OT200E04WCP | 1SCA022775R0650 | 4.4  |
| 3 | 250  | 170 | 250/140  | OT250E03CP  | 1SCA022771R3450 | 3.3  |
| 3 |      |     |          | OT250E12CP  | 1SCA022776R9320 | 3.3  |
| 3 |      |     |          | OT250E03WCP | 1SCA022772R8300 | 3.6  |
| 4 |      |     |          | OT250E04CP  | 1SCA022775R4640 | 4.1  |
| 4 |      |     |          | OT250E13CP  | 1SCA022777R0330 | 4.1  |
| 4 |      |     |          | OT250E04WCP | 1SCA022775R0810 | 4.4  |
| 3 | 315  | 215 | 315/160  | OT315E03CP  | 1SCA022772R6780 | 5.9  |
| 3 |      |     |          | OT315E12CP  | 1SCA022776R9910 | 5.9  |
| 4 |      |     |          | OT315E04CP  | 1SCA022775R7150 | 7.1  |
| 4 |      |     |          | OT315E13CP  | 1SCA022777R0410 | 7.1  |
| 3 | 400  | 275 | 400/220  | OT400E03CP  | 1SCA022771R8500 | 5.9  |
| 3 |      |     |          | OT400E12CP  | 1SCA022776R9590 | 5.9  |
| 4 |      |     |          | OT400E04CP  | 1SCA022771R8680 | 7.1  |
| 4 |      |     |          | OT400E13CP  | 1SCA022777R0500 | 7.1  |
| 3 | 630  | 435 | 630/355  | OT630E03CP  | 1SCA022785R6050 | 17.7 |
| 3 |      |     |          | OT630E12CP  | 1SCA022785R8690 | 17.7 |
| 4 |      |     |          | OT630E04CP  | 1SCA022785R6130 | 21   |
| 4 |      |     |          | OT630E13CP  | 1SCA022785R9070 | 21   |
| 3 | 800  | 550 | 800/450  | OT800E03CP  | 1SCA022785R6300 | 17.7 |
| 3 |      |     |          | OT800E12CP  | 1SCA022785R8850 | 17.7 |
| 4 |      |     |          | OT800E04CP  | 1SCA022785R6210 | 21   |
| 4 |      |     |          | OT800E13CP  | 1SCA022785R9230 | 21   |
| 3 | 1000 | 680 | 1000/560 | OT1000E03CP | 1SCA022872R1680 | 48   |
| 3 |      |     |          | OT1000E12CP | 1SCA103287R1001 | 48   |
| 4 |      |     |          | OT1000E04CP | 1SCA022872R1500 | 60   |
| 4 |      |     |          | OT1000E13CP | 1SCA103291R1001 | 60   |
| 4 |      |     |          | OT1000E22CP | 1SCA103289R1001 | 60   |



## Manual change-over switches Ordering information



OT630...800E03CP



OT630...800E04CP



OT1000...1250E22CP



OT2000...2500E03CP

### Manual change-over switches, I-O-II -operation, open transition

Including a black plastic IP65 I - O - II pistol type handle, see the table below, shaft and bolt set for the cable connection. Handle padlockable in the 0-position, door interlock in the I- and II-positions and when padlocked.

| Number of poles                             | Rated current <sup>(1)</sup><br>AC-21A...AC-22A<br>Up to 415V 400V<br>I[A] S[kVA] | Rated power<br>AC-23A<br>400V<br>I[A] / P[kW] | Type     | Order number | Weight<br>[kg]  |    |
|---|---|---|----------|--------------|-----------------|----|
| <b>Place of mechanism, see the picture.</b> |   |   |          |              |                 |    |
| 3   | 1250  | 850   | 1250/710 | OT1250E03CP  | 1SCA022872R0790 | 48 |
| 3   |   |   |          | OT1250E12CP  | 1SCA103308R1001 | 48 |
| 4   |   |   |          | OT1250E04CP  | 1SCA022872R1250 | 60 |
| 4   |   |   |          | OT1250E13CP  | 1SCA103313R1001 | 60 |
| 4   |   |   |          | OT1250E22CP  | 1SCA103311R1001 | 60 |
| 3   | 1600  | 1000  | 1250/710 | OT1600E03CP  | 1SCA022872R1840 | 51 |
| 3   |   |   |          | OT1600E12CP  | 1SCA103293R1001 | 51 |
| 4   |   |   |          | OT1600E04CP  | 1SCA022872R2310 | 63 |
| 4   |   |   |          | OT1600E13CP  | 1SCA103306R1001 | 63 |
| 4   |   |   |          | OT1600E22CP  | 1SCA103303R1001 | 63 |
| 3   | 2000  | 1350  |          | OT2000E03CP  | 1SCA103908R1001 | 70 |
| 3   |   |   |          | OT2000E12CP  | 1SCA103915R1001 | 70 |
| 4   |   |   |          | OT2000E04CP  | 1SCA103912R1001 | 86 |
| 4   |   |   |          | OT2000E13CP  | 1SCA103918R1001 | 86 |
| 4   |   |   |          | OT2000E22CP  | 1SCA103953R1001 | 86 |
| 3   | 2500  | 1700  |          | OT2500E03CP  | 1SCA105615R1001 | 70 |
| 3   |   |   |          | OT2500E12CP  | 1SCA103891R1001 | 70 |
| 4   |   |   |          | OT2500E04CP  | 1SCA103906R1001 | 86 |
| 4   |   |   |          | OT2500E13CP  | 1SCA103895R1001 | 86 |
| 4   |   |   |          | OT2500E22CP  | 1SCA103902R1001 | 86 |

<sup>(1)</sup> OT2000...2500: Category AC-21B

### Manual change-over switches, I - O - II -operation, fast transition

Including a black plastic IP65 I - O - II pistol type handle, see the table below, shaft and bolt set for the cable connection. Handle not padlockable and no door interlocking. Operating angle 90° to achieve fast switching. Minimum OFF-time between transfer from I-II or II-I is 10 ms.

| Number of poles   | Rated current<br>AC-21A...AC-22A<br>Up to 415V 400V<br>I[A] S[kVA] | Rated power<br>AC-23A<br>400V<br>I[A] / P[kW] | Type    | Order number | Weight<br>[kg]  |      |
|---|--|---|---------|--------------|-----------------|------|
| <b>Place of mechanism, see the picture. Types -W: with wide phase distance.</b> |  |   |         |              |                 |      |
| 3   | 160  | 110   | 160/90  | OT160E03CFP  | 1SCA106086R1001 | 3.3  |
| 3   |  |   |         | OT160E12CFP  | 1SCA108496R1001 | 3.3  |
| 3   |  |   |         | OT160E03WCFP | 1SCA108484R1001 | 3.6  |
| 4   |  |   |         | OT160E04CFP  | 1SCA108489R1001 | 4.1  |
| 4   |  |   |         | OT160E13CFP  | 1SCA108502R1001 | 4.1  |
| 4   |  |   |         | OT160E04WCFP | 1SCA108492R1001 | 4.4  |
| 3   | 200  | 135   | 200/110 | OT200E03CFP  | 1SCA108520R1001 | 3.3  |
| 3   |  |   |         | OT200E12CFP  | 1SCA108535R1001 | 3.3  |
| 3   |  |   |         | OT200E03WCFP | 1SCA107578R1001 | 3.6  |
| 4   |  |   |         | OT200E04CFP  | 1SCA107578R1001 | 4.1  |
| 4   |  |   |         | OT200E13CFP  | 1SCA108543R1001 | 4.1  |
| 4   |  |   |         | OT200E04WCFP | 1SCA108531R1001 | 4.4  |
| 3   | 250  | 170   | 250/140 | OT250E03CFP  | 1SCA108591R1001 | 3.3  |
| 3   |  |   |         | OT250E12CFP  | 1SCA108609R1001 | 3.3  |
| 3   |  |   |         | OT250E03WCFP | 1SCA107577R1001 | 3.6  |
| 4   |  |   |         | OT250E04CFP  | 1SCA108600R1001 | 4.1  |
| 4   |  |   |         | OT250E13CFP  | 1SCA108615R1001 | 4.1  |
| 4   |  |   |         | OT250E04WCFP | 1SCA108606R1001 | 4.4  |
| 3   | 315  | 215   | 315/160 | OT315E03CFP  | 1SCA108629R1001 | 5.9  |
| 3   |  |   |         | OT315E12CFP  | 1SCA108633R1001 | 5.9  |
| 4   |  |   |         | OT315E04CFP  | 1SCA114535R1001 | 7.1  |
| 4   |  |   |         | OT315E13CFP  | 1SCA106436R1001 | 7.1  |
| 3   | 400  | 275   | 400/220 | OT400E03CFP  | 1SCA106360R1001 | 5.9  |
| 3   |  |   |         | OT400E12CFP  | 1SCA108652R1001 | 5.9  |
| 4   |  |   |         | OT400E04CFP  | 1SCA108650R1001 | 7.1  |
| 4   |  |   |         | OT400E13CFP  | 1SCA106441R1001 | 7.1  |
| 3   | 630  | 435   | 630/355 | OT630E03CFP  | 1SCA106915R1001 | 17.7 |
| 3   |  |   |         | OT630E12CFP  | 1SCA106963R1001 | 17.7 |
| 4   |  |   |         | OT630E04CFP  | 1SCA108753R1001 | 21   |
| 4   |  |   |         | OT630E13CFP  | 1SCA106988R1001 | 21   |
| 3   | 800  | 550   | 800/450 | OT800E03CFP  | 1SCA106916R1001 | 17.7 |
| 3   |  |   |         | OT800E12CFP  | 1SCA106966R1001 | 17.7 |
| 4   |  |   |         | OT800E04CFP  | 1SCA106945R1001 | 21   |
| 4   |  |   |         | OT800E13CFP  | 1SCA106983R1001 | 21   |

### Shafts, handle and bolt kits included as standard

| Suitable for switches | Shaft     | Handle         | Bolt kit |
|-----------------------|-----------|----------------|----------|
| OT160...250_C         | EXP6x161  | OHB65J6E011    | M8x25    |
| OT315...400_C         | EXP12x166 | OHB95J12E011   | M10x30   |
| OT630...800_C         | EXP12x185 | OHB125J12E011  | M12x40   |
| OT1000...2500_C       | EXP12x185 | OHB200J12PE011 | M12x60   |
| OT160...250_CF        | EXP6x161  | OHB65J6E69     | M8x25    |
| OT315...400_CF        | EXP12x166 | OHB95J12E69    | M10x30   |
| OT630...800_CF        | EXP12x185 | OHB145J12E69   | M12x40   |





## Motorized change-over switches Ordering information

### Change-over switches, motor operation, I-O-II -operation, open transition

Including a handle for manual operation, bolt kit with nut and washers for all terminals and male connectors for control circuits. Types OTM160-2500E\_ include a clamp for the handle and spare fuses. Types OTM160-250E\_W are equipped with extended phase distance.



OTM160...250E3\_



OTM160...250E4\_



OTM160...250E3W\_



OTM315...400E3\_



OTM315...400E4\_

| Number of poles | Rated Current<br>AC-21A...<br>AC-22A<br>Up to 415 V<br>I [A] | Rated Power<br>400V<br>S[kVA] | Rated Current<br>AC-31B /<br>AC-33B<br>415 V<br>I [A] | Motor voltage Ue | Type            | Order number    | Weight<br>[kg] |
|-----------------|--|-------------------------------|---|------------------|-----------------|-----------------|----------------|
| 3               | 160  | 110                           | 160/160   | 220-240 V AC     | OTM160E3CM230C  | 1SCA022845R8610 | 6.6            |
|                 |  |                               |   | 110-125 V AC/DC  | OTM160E3CM110V  | 1SCA022845R8530 | 6.6            |
|                 |  |                               |   | 48 V DC          | OTM160E3CM48D   | 1SCA022845R8450 | 6.6            |
|                 |  |                               |   | 24 V DC          | OTM160E3CM24D   | 1SCA022845R8110 | 6.6            |
| 3               | 160  | 110                           | 160/160   | 220-240 V AC     | OTM160E3WCM230C | 1SCA022846R4000 | 6.9            |
|                 |  |                               |   | 110-125 V AC/DC  | OTM160E3WCM110V | 1SCA022846R3450 | 6.9            |
|                 |  |                               |   | 48 V DC          | OTM160E3WCM48D  | 1SCA022846R3370 | 6.9            |
|                 |  |                               |   | 24 V DC          | OTM160E3WCM24D  | 1SCA022846R3290 | 6.9            |
| 4               | 160  | 110                           | 160/160   | 220-240 V AC     | OTM160E4CM230C  | 1SCA022846R1510 | 7.5            |
|                 |  |                               |   | 110-125 V AC/DC  | OTM160E4CM110V  | 1SCA022846R1080 | 7.5            |
|                 |  |                               |   | 48 V DC          | OTM160E4CM48D   | 1SCA022846R0940 | 7.5            |
| 4               | 160  | 110                           | 160/160   | 220-240 V AC     | OTM160E4CM24D   | 1SCA022846R0860 | 7.5            |
|                 |  |                               |   | 110-125 V AC/DC  | OTM160E4WCM230C | 1SCA022846R7440 | 7.9            |
|                 |  |                               |   | 48 V DC          | OTM160E4WCM110V | 1SCA022846R7360 | 7.9            |
| 4               | 160  | 110                           | 160/160   | 110-125 V AC/DC  | OTM160E4WCM48D  | 1SCA022846R7280 | 7.9            |
|                 |  |                               |   | 48 V DC          | OTM160E4WCM24D  | 1SCA022846R7100 | 7.9            |
|                 |  |                               |   | 24 V DC          | OTM200E3CM230C  | 1SCA022845R8960 | 6.6            |
| 3               | 200  | 135                           | 200/200   | 220-240 V AC     | OTM200E3CM110V  | 1SCA022845R8880 | 6.6            |
|                 |  |                               |   | 110-125 V AC/DC  | OTM200E3CM48D   | 1SCA022845R8700 | 6.6            |
|                 |  |                               |   | 48 V DC          | OTM200E3CM24D   | 1SCA022845R8290 | 6.6            |
| 3               | 200  | 135                           | 200/200   | 220-240 V AC     | OTM200E3WCM230C | 1SCA022846R3960 | 6.9            |
|                 |  |                               |   | 110-125 V AC/DC  | OTM200E3WCM110V | 1SCA022846R3880 | 6.9            |
|                 |  |                               |   | 48 V DC          | OTM200E3WCM48D  | 1SCA022846R3700 | 6.9            |
| 4               | 200  | 135                           | 200/200   | 220-240 V AC     | OTM200E3WCM24D  | 1SCA022846R3610 | 6.9            |
|                 |  |                               |   | 110-125 V AC/DC  | OTM200E4CM230C  | 1SCA022846R1590 | 7.5            |
|                 |  |                               |   | 48 V DC          | OTM200E4CM110V  | 1SCA022846R1410 | 7.5            |
| 4               | 200  | 135                           | 200/200   | 110-125 V AC/DC  | OTM200E4CM48D   | 1SCA022846R1320 | 7.5            |
|                 |  |                               |   | 48 V DC          | OTM200E4CM24D   | 1SCA022846R1240 | 7.5            |
|                 |  |                               |   | 24 V DC          | OTM200E4WCM230C | 1SCA022846R7870 | 7.9            |
| 4               | 200  | 135                           | 200/200   | 220-240 V AC     | OTM200E4WCM110V | 1SCA022846R7790 | 7.9            |
|                 |  |                               |   | 110-125 V AC/DC  | OTM200E4WCM48D  | 1SCA022846R7610 | 7.9            |
|                 |  |                               |   | 48 V DC          | OTM200E4WCM24D  | 1SCA022846R7520 | 7.9            |
| 3               | 250  | 170                           | 250/250   | 220-240 V AC     | OTM250E3CM230C  | 1SCA022845R9260 | 6.6            |
|                 |  |                               |   | 110-125 V AC/DC  | OTM250E3CM110V  | 1SCA022845R9180 | 6.6            |
|                 |  |                               |   | 48 V DC          | OTM250E3CM48D   | 1SCA022845R9000 | 6.6            |
| 3               | 250  | 170                           | 250/250   | 220-240 V AC     | OTM250E3CM24D   | 1SCA022845R8370 | 6.6            |
|                 |  |                               |   | 110-125 V AC/DC  | OTM250E3WCM230C | 1SCA022846R4770 | 6.9            |
|                 |  |                               |   | 48 V DC          | OTM250E3WCM110V | 1SCA022846R4690 | 6.9            |
| 3               | 250  | 170                           | 250/250   | 110-125 V AC/DC  | OTM250E3WCM48D  | 1SCA022846R4510 | 6.9            |
|                 |  |                               |   | 48 V DC          | OTM250E3WCM24D  | 1SCA022846R4420 | 6.9            |
|                 |  |                               |   | 24 V DC          | OTM250E4CM230C  | 1SCA022846R1910 | 7.5            |
| 4               | 250  | 170                           | 250/250   | 220-240 V AC     | OTM250E4CM110V  | 1SCA022846R1830 | 7.5            |
|                 |  |                               |   | 110-125 V AC/DC  | OTM250E4CM48D   | 1SCA022846R1750 | 7.5            |
|                 |  |                               |   | 48 V DC          | OTM250E4CM24D   | 1SCA022846R1670 | 7.5            |
| 4               | 250  | 170                           | 250/250   | 220-240 V AC     | OTM250E4WCM230C | 1SCA022846R8250 | 7.9            |
|                 |  |                               |   | 110-125 V AC/DC  | OTM250E4WCM110V | 1SCA022846R8170 | 7.9            |
|                 |  |                               |   | 48 V DC          | OTM250E4WCM48D  | 1SCA022846R8090 | 7.9            |
| 3               | 315  | 215                           | 315/315   | 220-240 V AC     | OTM250E4WCM24D  | 1SCA022846R7950 | 7.9            |
|                 |  |                               |   | 110-125 V AC/DC  | OTM315E3CM230C  | 1SCA022847R1210 | 11.1           |
|                 |  |                               |   | 48 VDC           | OTM315E3CM110V  | 1SCA022847R1120 | 11.1           |
| 4               | 315  | 215                           | 315/315   | 220-240 V AC     | OTM315E3CM48D   | 1SCA022847R1040 | 11.1           |
|                 |  |                               |   | 110-125 V AC/DC  | OTM315E3CM24D   | 1SCA022847R0910 | 11.1           |
|                 |  |                               |   | 48 VDC           | OTM315E4CM230C  | 1SCA022847R2870 | 12.5           |
| 3               | 400  | 275                           | 400/400   | 220-240 V AC     | OTM315E4CM110V  | 1SCA022847R2790 | 12.5           |
|                 |  |                               |   | 110-125 V AC/DC  | OTM315E4CM48D   | 1SCA022847R2610 | 12.5           |
|                 |  |                               |   | 48 V DC          | OTM315E4CM24D   | 1SCA022847R2520 | 12.5           |
| 4               | 400  | 275                           | 400/400   | 220-240 V AC     | OTM400E3CM230C  | 1SCA022847R1630 | 11.1           |
|                 |  |                               |   | 110-125 V AC/DC  | OTM400E3CM110V  | 1SCA022847R1550 | 11.1           |
|                 |  |                               |   | 48 V DC          | OTM400E3CM48D   | 1SCA022847R1470 | 11.1           |
| 4               | 400  | 275                           | 400/400   | 220-240 V AC     | OTM400E3CM24D   | 1SCA022847R1390 | 11.1           |
|                 |  |                               |   | 110-125 V AC/DC  | OTM400E4CM230C  | 1SCA022847R3250 | 12.5           |
|                 |  |                               |   | 48 V DC          | OTM400E4CM110V  | 1SCA022847R3170 | 12.5           |
| 4               | 400  | 275                           | 400/400   | 110-125 V AC/DC  | OTM400E4CM48D   | 1SCA022847R3090 | 12.5           |
|                 |  |                               |   | 48 V DC          | OTM400E4CM24D   | 1SCA022847R2950 | 12.5           |
|                 |  |                               |   | 24 V DC          |                 |                 |                |



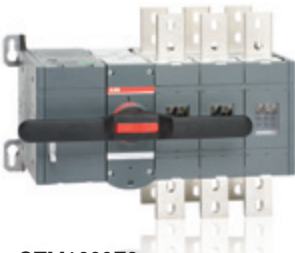
## Motorized change-over switches Ordering information

### Change-over switches, motor operation, I-O-II -operation, open transition

Including a handle for manual operation, bolt kit with nut and washers for all terminals and male connectors for control circuits. Types OTM160-2500E\_ include a clamp for the handle and spare fuses. Types OTM160-250E\_W are equipped with extended phase distance.



OTM1000...1250E3\_



OTM1600E3\_



OTM2000...2500E3\_

| Number of poles | Rated Current <sup>1)</sup><br>AC-21A...<br>AC-22A<br>Up to 415 V<br>I [A] | Rated Power<br>400V<br>S[kVA] | Rated Current<br>AC-31B/<br>AC-33B<br>415 V<br>I [A] | Motor voltage Ue | Type            | Order number    | Weight<br>[kg] |
|-----------------|--|-------------------------------|--|------------------|-----------------|-----------------|----------------|
| 3               | 630  | 435                           | 650/650  | 220-240 V AC     | OTM630E3CM230C  | 1SCA103567R1001 | 22             |
|                 |  |                               |  | 110-125 V AC/DC  | OTM630E3CM110V  | 1SCA022873R1050 | 22             |
|                 |  |                               |  | 48 V DC          | OTM630E3CM48D   | 1SCA022873R1300 | 22             |
|                 |  |                               |  | 24 V DC          | OTM630E3CM24D   | 1SCA022873R1210 | 22             |
| 4               | 630  | 435                           | 650/650  | 220-240 V AC     | OTM630E4CM230C  | 1SCA022873R1990 | 25             |
|                 |  |                               |  | 110-125 V AC/DC  | OTM630E4CM110V  | 1SCA022873R1810 | 25             |
|                 |  |                               |  | 48 V DC          | OTM630E4CM48D   | 1SCA022873R2110 | 25             |
|                 |  |                               |  | 24 V DC          | OTM630E4CM24D   | 1SCA022873R2020 | 25             |
| 3               | 800  | 550                           | 720/650  | 220-240 V AC     | OTM800E3CM230C  | 1SCA103570R1001 | 22             |
|                 |  |                               |  | 110-125 V AC/DC  | OTM800E3CM110V  | 1SCA022872R5750 | 22             |
|                 |  |                               |  | 48 V DC          | OTM800E3CM48D   | 1SCA022872R6050 | 22             |
|                 |  |                               |  | 24 V DC          | OTM800E3CM24D   | 1SCA022872R5910 | 22             |
| 4               | 800  | 550                           | 720/650  | 220-240 V AC     | OTM800E4CM230C  | 1SCA022872R8340 | 25             |
|                 |  |                               |  | 110-125 V AC/DC  | OTM800E4CM110V  | 1SCA022872R8260 | 25             |
|                 |  |                               |  | 48 V DC          | OTM800E4CM48D   | 1SCA022872R8510 | 25             |
|                 |  |                               |  | 24 V DC          | OTM800E4CM24D   | 1SCA022872R8420 | 25             |
| 3               | 1000   | 680                           | 1000/1000  | 220-240 V AC     | OTM1000E3CM230C | 1SCA112677R1001 | 55             |
|                 |  |                               |  | 110-125 V AC/DC  | OTM1000E3CM110V | 1SCA113653R1001 | 55             |
|                 |  |                               |  | 48 V DC          | OTM1000E3CM48D  | 1SCA113663R1001 | 55             |
|                 |  |                               |  | 24 V DC          | OTM1000E3CM24D  | 1SCA113672R1001 | 55             |
| 4               | 1000   | 680                           | 1000/1000  | 220-240 V AC     | OTM1000E4CM230C | 1SCA112703R1001 | 65             |
|                 |  |                               |  | 110-125 V AC/DC  | OTM1000E4CM110V | 1SCA113656R1001 | 65             |
|                 |  |                               |  | 48 V DC          | OTM1000E4CM48D  | 1SCA113666R1001 | 65             |
|                 |  |                               |  | 24 V DC          | OTM1000E4CM24D  | 1SCA113675R1001 | 65             |
| 3               | 1250   | 850                           | 1250/1000  | 220-240 V AC     | OTM1250E3CM230C | 1SCA112676R1001 | 55             |
|                 |  |                               |  | 110-125 V AC/DC  | OTM1250E3CM110V | 1SCA113652R1001 | 55             |
|                 |  |                               |  | 48 V DC          | OTM1250E3CM48D  | 1SCA113662R1001 | 55             |
|                 |  |                               |  | 24 V DC          | OTM1250E3CM24D  | 1SCA113671R1001 | 55             |
| 4               | 1250   | 850                           | 1250/1000  | 220-240 V AC     | OTM1250E4CM230C | 1SCA112702R1001 | 65             |
|                 |  |                               |  | 110-125 V AC/DC  | OTM1250E4CM110V | 1SCA113655R1001 | 65             |
|                 |  |                               |  | 48 V DC          | OTM1250E4CM48D  | 1SCA113665R1001 | 65             |
|                 |  |                               |  | 24 V DC          | OTM1250E4CM24D  | 1SCA113674R1001 | 65             |
| 3               | 1600   | 1000                          | 1600/1000  | 220-240 V AC     | OTM1600E3CM230C | 1SCA112678R1001 | 59             |
|                 |  |                               |  | 110-125 V AC/DC  | OTM1600E3CM110V | 1SCA113654R1001 | 59             |
|                 |  |                               |  | 48 V DC          | OTM1600E3CM48D  | 1SCA113664R1001 | 59             |
|                 |  |                               |  | 24 V DC          | OTM1600E3CM24D  | 1SCA113673R1001 | 59             |
| 4               | 1600   | 1000                          | 1600/1000  | 220-240 V AC     | OTM1600E4CM230C | 1SCA112704R1001 | 69             |
|                 |  |                               |  | 110-125 V AC/DC  | OTM1600E4CM110V | 1SCA113657R1001 | 69             |
|                 |  |                               |  | 48 V DC          | OTM1600E4CM48D  | 1SCA113667R1001 | 69             |
|                 |  |                               |  | 24 V DC          | OTM1600E4CM24D  | 1SCA113676R1001 | 69             |
| 3               | 2000   | 1350                          | 1600/1000  | 220-240 V AC     | OTM2000E3CM230C | 1SCA112709R1001 | 78             |
|                 |  |                               |  | 110-125 V AC/DC  | OTM2000E3CM110V | 1SCA113683R1001 | 78             |
|                 |  |                               |  | 48 V DC          | OTM2000E3CM48D  | 1SCA113689R1001 | 78             |
|                 |  |                               |  | 24 V DC          | OTM2000E3CM24D  | 1SCA113695R1001 | 78             |
| 4               | 2000   | 1350                          | 1600/1000  | 220-240 V AC     | OTM2000E4CM230C | 1SCA112712R1001 | 95             |
|                 |  |                               |  | 110-125 V AC/DC  | OTM2000E4CM110V | 1SCA113685R1001 | 95             |
|                 |  |                               |  | 48 V DC          | OTM2000E4CM48D  | 1SCA113691R1001 | 95             |
|                 |  |                               |  | 24 V DC          | OTM2000E4CM24D  | 1SCA113697R1001 | 95             |
| 3               | 2500   | 1700                          | 1600/1000  | 220-240 V AC     | OTM2500E3CM230C | 1SCA112710R1001 | 78             |
|                 |  |                               |  | 110-125 V AC/DC  | OTM2500E3CM110V | 1SCA113684R1001 | 78             |
|                 |  |                               |  | 48 V DC          | OTM2500E3CM48D  | 1SCA113690R1001 | 78             |
|                 |  |                               |  | 24 V DC          | OTM2500E3CM24D  | 1SCA113696R1001 | 78             |
| 4               | 2500   | 1700                          | 1600/1000  | 220-240 V AC     | OTM2500E4CM230C | 1SCA112713R1001 | 95             |
|                 |  |                               |  | 110-125 V AC/DC  | OTM2500E4CM110V | 1SCA113686R1001 | 95             |
|                 |  |                               |  | 48 V DC          | OTM2500E4CM48D  | 1SCA113692R1001 | 95             |
|                 |  |                               |  | 24 V DC          | OTM2500E4CM24D  | 1SCA113698R1001 | 95             |

<sup>1)</sup> OTM2000...2500: Category AC-21B

### Handles and bolt kits included as standard

| Suitable for switches | Handle      | Bolt kit |
|-----------------------|-------------|----------|
| OTM160...250          | OTV250ECMK  | M8x25    |
| OTM315...400          | OTV400ECMK  | M10x30   |
| OTM630...800          | OTV800ECMK  | M12x40   |
| OTM1000...2500        | OTV1000ECMK | M12x60   |

# Automatic transfer switches 160 A to 1600 A, OTM\_C\_D



|  | OTM_C2D_        | OTM_C3D_        | OTM_C8D_ |
|--|-----------------|-----------------|----------|
| <b>OTM_C D products overview</b>                       |                 |                 |          |
| Manual operation with handle                           | X               | X               | X        |
| Local operation with front panel keypad                | X               | X               | X        |
| Automatic transfer switching equipment (ATSE)          | X               | X               | X        |
| Dual power source for the motor operator <sup>1)</sup> | O               | X               | O        |
| <b>Measurement</b>                                     |                 |                 |          |
| Three phase voltage measurement on LINE 1              | X               | X               | X        |
| Single phase voltage measurement on LINE 1             | X               | X               | X        |
| Three phase voltage measurement on LINE 2              | X               | X               | X        |
| Single phase voltage measurement on LINE 2             | X               | X               | X        |
| Frequency on LINE 1                                    | X               | X               | X        |
| Frequency on LINE 2                                    | X               | X               | X        |
| Possibility to check the measurements via LCD          |                 |                 | X        |
| <b>Configuration <sup>2)</sup></b>                     |                 |                 |          |
| By DIP switches  | X               | X               |          |
| By rotary switches                                     | X               | X               |          |
| By keypad and LCD                                      |                 |                 | X        |
| Voltage threshold setting                              | X               | X               | X        |
| Frequency threshold setting                            |                 |                 | X        |
| <b>Time delays</b>                                     |                 |                 |          |
| Switching delay  | X <sup>3)</sup> | X <sup>3)</sup> | X        |
| Dead band time I-II                                    |                 |                 | X        |
| Back-switching delay                                   | X <sup>3)</sup> | X <sup>3)</sup> | X        |
| Dead band time II-I                                    |                 |                 | X        |
| Generator stop delay                                   | X <sup>4)</sup> | X <sup>4)</sup> | X        |
| Line priority  |                 |                 | X        |
| <b>Features</b>  |                 |                 |          |
| Generator start and stop                               | X               | X               | X        |
| Off-load test sequence                                 | X               | X               | X        |
| On-load test sequence                                  | X               | X               | X        |
| Source status via front panel                          | X               | X               | X        |
| Switch position via front panel                        | X               | X               | X        |
| LCD <sup>5)</sup>                                      |                 |                 | X        |
| Fieldbus interface <sup>6)</sup>                       |                 |                 | X        |
| Secondary load control                                 |                 |                 | X        |
| Alarm log  |                 |                 | X        |
| Counter for number of operations                       |                 |                 | X        |
| Auxiliary voltage supply <sup>7)</sup>                 |                 |                 | X        |
| <b>Applications</b>                                    |                 |                 |          |
| Transfer between two utilities                         | X               | X               | X        |
| Transfer between an utility and a genset               | X               | X               | X        |

<sup>1)</sup> Dual power source allows the motor operator to be supplied by two separate voltage supplies. This way the motor operator is always energized from the available line.

<sup>2)</sup> Consult us for more detailed information.

<sup>3)</sup> OTM\_C2D and OTM\_C3D, the duration of Switching and Back-switching delays is the same, i.e. the time delay is same for I - II and II - I.

<sup>4)</sup> OTM\_C2D and OTM\_C3D, Generator stop delay has two values; the same as Switching delay or fixed 5 min.

<sup>5)</sup> Menus available in six languages; English, French, German, Italian, Spanish and Finnish.

<sup>6)</sup> Bus communication protocol is Modbus

<sup>7)</sup> In case of source failure, the controller unit can be supplied with an external auxiliary supply with 24...110 V DC.

x = included as standard

o = as an accessory



# Automatic transfer switches

## Ordering information

### Automatic transfer switches, I-O-II operation, open transition

Including a handle for manual operation, PCB connectors, bolt kit with nuts and washers for all terminals. Types OTM160...1600\_C\_D\_, including a voltage sensing kit on the top of the switch. Voltage sensing kit on the bottom on the switch, available on request, please add letter "B" to the type code. For example, OTM-160E4C2D230C - OTM160E4CB2D230C. Types OTM160-1600E\_ include a clamp for the handle and spare fuses. Types OTM160...250\_WC\_D\_ are equipped with extended phase distance.



OTM400E4C3D230C



OTM800E4C2D230C



OTM1250E4C3D230C



OTM250E3C8D230C



OTM400E4C8D230C



OTM1600E3C8D230C

| Number of poles | Rated Current AC-21A... AC-22A Up to 415 V I [A] | Rated Power 400V S[kVA] | Rated Current AC-31B / AC-33B 415 V I [A] | Type | Order number | Weight [kg] |
|-----------------|--|-------------------------|---|------|--------------|-------------|
|-----------------|--|-------------------------|---|------|--------------|-------------|

#### Automatic operation, OTM\_C2D\_ types

Motor operator voltage  $U_e = 220-240 \text{ V AC}^{1)}$

|   |      |      |           |                  |                 |    |
|---|------|------|-----------|------------------|-----------------|----|
| 4 | 160  | 110  | 160/160   | OTM160E4C2D230C  | 1SCA106230R1001 | 11 |
| 4 | 160  | 110  | 160/160   | OTM160E4WC2D230C | 1SCA101033R1001 | 11 |
| 4 | 200  | 135  | 200/200   | OTM200E4C2D230C  | 1SCA106671R1001 | 11 |
| 4 | 200  | 135  | 200/200   | OTM200E4WC2D230C | 1SCA101034R1001 | 11 |
| 4 | 250  | 170  | 250/250   | OTM250E4C2D230C  | 1SCA101016R1001 | 11 |
| 4 | 250  | 170  | 250/250   | OTM250E4WC2D230C | 1SCA101035R1001 | 11 |
| 4 | 315  | 215  | 315/315   | OTM315E4C2D230C  | 1SCA101059R1001 | 15 |
| 4 | 400  | 275  | 400/400   | OTM400E4C2D230C  | 1SCA101060R1001 | 15 |
| 4 | 630  | 435  | 650/650   | OTM630E4C2D230C  | 1SCA108434R1001 | 37 |
| 4 | 800  | 550  | 720/650   | OTM800E4C2D230C  | 1SCA108439R1001 | 37 |
| 4 | 1000 | 680  | 1000/1000 | OTM1000E4C2D230C | 1SCA112858R1001 | 66 |
| 4 | 1250 | 850  | 1250/1000 | OTM1250E4C2D230C | 1SCA112857R1001 | 66 |
| 4 | 1600 | 1000 | 1600/1000 | OTM1600E4C2D230C | 1SCA112854R1001 | 70 |

#### Automatic operation, OTM\_C3D\_ types

Including dual power source for the motor operator.

Motor operator voltage  $U_e = 220-240 \text{ V AC}^{1)}$

|   |      |      |           |                  |                 |    |
|---|------|------|-----------|------------------|-----------------|----|
| 4 | 160  | 110  | 160/160   | OTM160E4C3D230C  | 1SCA106305R1001 | 11 |
| 4 | 160  | 110  | 160/160   | OTM160E4WC3D230C | 1SCA106306R1001 | 11 |
| 4 | 200  | 135  | 200/200   | OTM200E4C3D230C  | 1SCA106309R1001 | 11 |
| 4 | 200  | 135  | 200/200   | OTM200E4WC3D230C | 1SCA106310R1001 | 11 |
| 4 | 250  | 170  | 250/250   | OTM250E4C3D230C  | 1SCA106313R1001 | 11 |
| 4 | 250  | 170  | 250/250   | OTM250E4WC3D230C | 1SCA106314R1001 | 11 |
| 4 | 315  | 215  | 315/315   | OTM315E4C3D230C  | 1SCA106317R1001 | 15 |
| 4 | 400  | 275  | 400/400   | OTM400E4C3D230C  | 1SCA106318R1001 | 15 |
| 4 | 630  | 435  | 650/650   | OTM630E4C3D230C  | 1SCA108726R1001 | 37 |
| 4 | 800  | 550  | 720/650   | OTM800E4C3D230C  | 1SCA108728R1001 | 37 |
| 4 | 1000 | 680  | 1000/1000 | OTM1000E4C3D230C | 1SCA112852R1001 | 66 |
| 4 | 1250 | 850  | 1250/1000 | OTM1250E4C3D230C | 1SCA112851R1001 | 66 |
| 4 | 1600 | 1000 | 1600/1000 | OTM1600E4C3D230C | 1SCA112848R1001 | 70 |

#### Automatic operation, OTM\_C8D\_ types

Motor operator voltage  $U_e = 220-240 \text{ V AC}^{1)}$

|   |      |      |           |                  |                 |    |
|---|------|------|-----------|------------------|-----------------|----|
| 3 | 160  | 110  | 160/160   | OTM160E3C8D230C  | 1SCA101017R1001 | 10 |
| 3 | 160  | 110  | 160/160   | OTM160E3WC8D230C | 1SCA101036R1001 | 10 |
| 4 | 160  | 110  | 160/160   | OTM160E4C8D230C  | 1SCA101020R1001 | 11 |
| 4 | 160  | 110  | 160/160   | OTM160E4WC8D230C | 1SCA101039R1001 | 11 |
| 3 | 200  | 135  | 200/200   | OTM200E3C8D230C  | 1SCA101018R1001 | 10 |
| 3 | 200  | 135  | 200/200   | OTM200E3WC8D230C | 1SCA101037R1001 | 10 |
| 4 | 200  | 135  | 200/200   | OTM200E4C8D230C  | 1SCA101021R1001 | 11 |
| 4 | 200  | 135  | 200/200   | OTM200E4WC8D230C | 1SCA101040R1001 | 11 |
| 3 | 250  | 170  | 250/250   | OTM250E3C8D230C  | 1SCA101019R1001 | 10 |
| 3 | 250  | 170  | 250/250   | OTM250E3WC8D230C | 1SCA101038R1001 | 10 |
| 4 | 250  | 170  | 250/250   | OTM250E4C8D230C  | 1SCA101022R1001 | 11 |
| 4 | 250  | 170  | 250/250   | OTM250E4WC8D230C | 1SCA101041R1001 | 11 |
| 3 | 315  | 215  | 315/315   | OTM315E3C8D230C  | 1SCA101062R1001 | 14 |
| 4 | 315  | 215  | 315/315   | OTM315E4C8D230C  | 1SCA101063R1001 | 15 |
| 3 | 400  | 275  | 400/400   | OTM400E3C8D230C  | 1SCA101061R1001 | 14 |
| 4 | 400  | 275  | 400/400   | OTM400E4C8D230C  | 1SCA101064R1001 | 15 |
| 3 | 630  | 435  | 650/650   | OTM630E3C8D230C  | 1SCA108452R1001 | 34 |
| 4 | 630  | 435  | 650/650   | OTM630E4C8D230C  | 1SCA108453R1001 | 37 |
| 3 | 800  | 550  | 720/650   | OTM800E3C8D230C  | 1SCA108454R1001 | 34 |
| 4 | 800  | 550  | 720/650   | OTM800E4C8D230C  | 1SCA108455R1001 | 37 |
| 3 | 1000 | 680  | 1000/1000 | OTM1000E3C8D230C | 1SCA112868R1001 | 57 |
| 4 | 1000 | 680  | 1000/1000 | OTM1000E4C8D230C | 1SCA112861R1001 | 66 |
| 3 | 1250 | 850  | 1250/1000 | OTM1250E3C8D230C | 1SCA112862R1001 | 57 |
| 4 | 1250 | 850  | 1250/1000 | OTM1250E4C8D230C | 1SCA112864R1001 | 66 |
| 3 | 1600 | 1000 | 1600/1000 | OTM1600E3C8D230C | 1SCA112866R1001 | 60 |
| 4 | 1600 | 1000 | 1600/1000 | OTM1600E4C8D230C | 1SCA112867R1001 | 70 |

<sup>1)</sup> Under nominal conditions.

### Handles and bolt kits included as standard

| Suitable for switches | Handle      | Bolt kit |
|-----------------------|-------------|----------|
| OTM160...250          | OTV250ECMK  | M8x25    |
| OTM315...400          | OTV400ECMK  | M10x30   |
| OTM630...800          | OTV800ECMK  | M12x40   |
| OTM1000...1600        | OTV1000ECMK | M12x60   |



# Manual change-over switches

## Ordering information



OT160...250E03CLP



OT160...250E03WCLP



OT315...400E03CLP



OT630...800E03CLP

### Manual change-over switches, I - I+II - II - operation, Closed transition

#### Description

The OT160...2500E\_CL change-over switches operate on a closed transition principle, i.e. make-before-break operation without OFF-position. Between positions I and II, there is a position I+II where both switches are closed simultaneously. The overlapping time when both contacts are closed is minimum 20 ms. Operating angle of the handle is 90°.

Including a black plastic IP65 I - I+II - II pistol type handle, see the table below, shaft and bolt set for the cable connection. Handle not padlockable and no door interlocking.

| Number of poles   | Rated current <sup>1)</sup><br>AC-21A...AC-22A<br>Up to 415V 400V<br>I[A] | Rated power<br>AC-23A<br>400V<br>S[kVA] | Rated power<br>AC-23A<br>400V<br>I[A] / P[kW] | Type         | Order number    | Weight<br>[kg] |
|---|---|---|---|--------------|-----------------|----------------|
| <b>Place of mechanism, see the picture. Types -W: with wide phase distance.</b> |   |   |   |              |                 |                |
| 3   | 160   | 110                                     | 160/90  | OT160E03CLP  | 1SCA108468R1001 | 3.3            |
| 3   |   |   |   | OT160E12CLP  | 1SCA108498R1001 | 3.3            |
| 3   |   |   |   | OT160E03WCLP | 1SCA108486R1001 | 3.6            |
| 4   |   |   |   | OT160E04CLP  | 1SCA108491R1001 | 4.1            |
| 4   | 200   | 135                                     | 200/110                                       | OT160E13CLP  | 1SCA108504R1001 | 4.1            |
| 4   |   |   |   | OT160E04WCLP | 1SCA108494R1001 | 4.4            |
| 3   |   |   |   | OT200E03CLP  | 1SCA108522R1001 | 3.3            |
| 3   |   |   |   | OT200E12CLP  | 1SCA108537R1001 | 3.3            |
| 3   | 250   | 170                                     | 250/140                                       | OT200E03WCLP | 1SCA108525R1001 | 3.6            |
| 4   |   |   |   | OT200E04CLP  | 1SCA108530R1001 | 4.1            |
| 4   |   |   |   | OT200E13CLP  | 1SCA108548R1001 | 4.1            |
| 4   |   |   |   | OT200E04WCLP | 1SCA108532R1001 | 4.4            |
| 3   | 315   | 215                                     | 315/160                                       | OT250E03CLP  | 1SCA108593R1001 | 3.3            |
| 3   |   |   |   | OT250E12CLP  | 1SCA108611R1001 | 3.3            |
| 3   |   |   |   | OT250E03WCLP | 1SCA107576R1001 | 3.6            |
| 4   |   |   |   | OT250E04CLP  | 1SCA108605R1001 | 4.1            |
| 4   | 400   | 275                                     | 400/220                                       | OT250E13CLP  | 1SCA108618R1001 | 4.1            |
| 4   |   |   |   | OT250E04WCLP | 1SCA108607R1001 | 4.4            |
| 3   |   |   |   | OT400E03CLP  | 1SCA108641R1001 | 5.9            |
| 3   |   |   |   | OT400E12CLP  | 1SCA106419R1001 | 5.9            |
| 4   | 630   | 435                                     | 630/355                                       | OT315E04CLP  | 1SCA106404R1001 | 7.1            |
| 4   |   |   |   | OT315E13CLP  | 1SCA106443R1001 | 7.1            |
| 3   |   |   |   | OT400E04CLP  | 1SCA106423R1001 | 5.9            |
| 4   |   |   |   | OT400E13CLP  | 1SCA106405R1001 | 7.1            |
| 4   | 800   | 550                                     | 800/450                                       | OT400E13CLP  | 1SCA106447R1001 | 7.1            |
| 3   |   |   |   | OT630E03CLP  | 1SCA106917R1001 | 17.7           |
| 3   |   |   |   | OT630E12CLP  | 1SCA106968R1001 | 17.7           |
| 4   |   |   |   | OT630E04CLP  | 1SCA106947R1001 | 21             |
| 4   | 1000  | 680                                     | 1000/560                                      | OT630E13CLP  | 1SCA106981R1001 | 21             |
| 3   |   |   |   | OT800E03CLP  | 1SCA106928R1001 | 17.7           |
| 3   |   |   |   | OT800E12CLP  | 1SCA106973R1001 | 17.7           |
| 4   |   |   |   | OT800E04CLP  | 1SCA106952R1001 | 21             |
| 4   | 1250  | 850                                     | 1250/710                                      | OT800E13CLP  | 1SCA106976R1001 | 21             |
| 3   |   |   |   | OT1000E03CLP | 1SCA117221R1001 | 48             |
| 3   |   |   |   | OT1000E12CLP | 1SCA117608R1001 | 48             |
| 4   |   |   |   | OT1000E04CLP | 1SCA117224R1001 | 60             |
| 4   | 1600  | 1000                                    | 1250/710                                      | OT1000E13CLP | 1SCA117677R1001 | 60             |
| 3   |   |   |   | OT1250E03CLP | 1SCA117222R1001 | 48             |
| 3   |   |   |   | OT1250E12CLP | 1SCA117610R1001 | 48             |
| 4   |   |   |   | OT1250E04CLP | 1SCA117225R1001 | 60             |
| 4   | 2000  | 1350                                    | 1250/710                                      | OT1250E13CLP | 1SCA117678R1001 | 60             |
| 3   |   |   |   | OT1600E03CLP | 1SCA117223R1001 | 51             |
| 3   |   |   |   | OT1600E12CLP | 1SCA117611R1001 | 51             |
| 4   |   |   |   | OT1600E04CLP | 1SCA117226R1001 | 63             |
| 4   | 2500  | 1700                                    | 1250/710                                      | OT1600E13CLP | 1SCA117615R1001 | 63             |
| 3   |   |   |   | OT2000E03CLP | 1SCA117250R1001 | 70             |
| 3   |   |   |   | OT2000E12CLP | 1SCA117617R1001 | 70             |
| 4   |   |   |   | OT2000E04CLP | 1SCA117251R1001 | 86             |
| 4   | 2500  | 1700                                    | 1250/710                                      | OT2000E13CLP | 1SCA117620R1001 | 86             |
| 3   |   |   |   | OT2500E03CLP | 1SCA117249R1001 | 70             |
| 3   |   |   |   | OT2500E12CLP | 1SCA117619R1001 | 70             |
| 4   |   |   |   | OT2500E04CLP | 1SCA117252R1001 | 86             |
| 4   | 2500  | 1700                                    | 1250/710                                      | OT2500E13CLP | 1SCA117622R1001 | 86             |
| 4   |   |   |   | OT2500E13CLP | 1SCA117622R1001 | 86             |

<sup>1)</sup> OT2000...2500: Category AC-21B

### Shafts, handles and bolt kits included as standard

| Suitable for switches | Shaft     | Handle        | Bolt kit |
|-----------------------|-----------|---------------|----------|
| OT160...250_CL        | OXF6x161  | OHB65J6E65    | M8x25    |
| OT315...400_CL        | OXF12x166 | OHB95J12E65   | M10x30   |
| OT630...800_CL        | OXF12x185 | OHB145J12E65  | M12x40   |
| OT1000...2500_CL      | OXF12x185 | OHB200J12PE65 | M12x60   |



## UL/CSA manual change-over switches Ordering information

### Change-over switches, I-O-II -operation, open transition

The change-over switches include a black handle IP65; see the table below, Nema type 1, 3R, 12, a shaft and a bolt set for the cable connection and a set of phase barriers (OT600U\_).

| Number of poles | UL98 600 V general use [A] | Rated Current IEC60947-3 ≤ 690 V AC-21-23A | [A] IEC60947-6-1 ≤ 415 V AC-31B, AC-33B | Type       | Order number    | Weight |
|-----------------|----------------------------|--|---|------------|-----------------|--------|
|                 |                            |  |   |            |                 | [kg]   |
| 3               | 200                        | 250  | 250                                     | OT200U03CP | 1SCA022771R5910 | 3.6    |
| 4               | 200                        | 250  | 250                                     | OT200U04CP | 1SCA022771R6210 | 4.4    |
| 3               | 400                        | 400  | 400                                     | OT400U03CP | 1SCA022771R2810 | 6.2    |
| 4               | 400                        | 400  | 400                                     | OT400U04CP | 1SCA022771R2300 | 8.1    |
| 3               | 600                        | 800  | 800                                     | OT600U03CP | 1SCA022785R5320 | 17.9   |
| 4               | 600                        | 800  | 800                                     | OT600U04CP | 1SCA022785R5410 | 21     |



OT200U03CP



OT400U04CP



OT600U03CP



OHB\_

### Shafts, handles and bolt kits included as standard

The handles are equipped with door interlock function in both I- and II-position and when padlocked. Padlocking possibility in O-position with 3 padlocks, bail dia Ø 5...10 mm. Indication I-O-II. Nema type 1, 3R, 12.

| Suitable for switches | Shaft     | Handle        | Bolt kit |
|-----------------------|-----------|---------------|----------|
| OT200U_               | OXP6x161  | OHB65J6E011   | M8x25    |
| OT400U_               | OXP12x166 | OHB95J12E011  | M10x30   |
| OT600U_               | OXP12x185 | OHB125J12E011 | M12x40   |



### Handle knobs

No shaft needed, direct mounting on the top of the switch.

| For switches   | Colour | Non padlockable | Padlockable in 0-position | Type     | Order number    | Units/ type | Weight [kg] |
|----------------|--------|-----------------|---------------------------|----------|-----------------|-------------|-------------|
| OT16...80F_C   | Black  | x               |                           | OHBS2/1  | 1SCA109090R1001 | 1           | 0.01        |
|                | Black  | x               |                           | OHBS2    | 1SCA109089R1001 | 10          | 0.01        |
|                | Red    | x               |                           | OHRS2/1  | 1SCA108599R1001 | 1           | 0.01        |
|                | Red    | x               |                           | OHRS2    | 1SCA108598R1001 | 10          | 0.01        |
|                | Black  | x               |                           | OHBS3/1  | 1SCA108319R1001 | 1           | 0.01        |
|                | Black  | x               |                           | OHBS3    | 1SCA108320R1001 | 10          | 0.01        |
|                | Red    | x               |                           | OHRS3/1  | 1SCA108688R1001 | 1           | 0.01        |
|                | Red    | x               |                           | OHRS3    | 1SCA108667R1001 | 10          | 0.01        |
|                | Black  |                 | x                         | OHBS12/1 | 1SCA109094R1001 | 1           | 0.01        |
|                | Black  |                 | x                         | OHBS12   | 1SCA108252R1001 | 10          | 0.01        |
|                | Red    |                 | x                         | OHRS12/1 | 1SCA109097R1001 | 1           | 0.01        |
|                | Red    |                 | x                         | OHRS12   | 1SCA108253R1001 | 10          | 0.01        |
| OT100...125F_C | Black  | x               |                           | OHBS9/1  | 1SCA108689R1001 | 1           | 0.01        |
|                | Black  | x               |                           | OHBS9    | 1SCA108665R1001 | 10          | 0.01        |
|                | Red    | x               |                           | OHRS9/1  | 1SCA108690R1001 | 1           | 0.01        |
|                | Red    | x               |                           | OHRS9    | 1SCA108666R1001 | 10          | 0.01        |
|                | Black  |                 | x                         | OHBS11/1 | 1SCA109093R1001 | 1           | 0.02        |
|                | Black  |                 | x                         | OHBS11   | 1SCA109092R1001 | 10          | 0.02        |

### External handles

Selector handle, IP65, Nema type 1, 3R, 12, indication I-O-II. Padlockable in O -position with maximum three padlocks with bail diameter 5...8 mm (two lower holes) and 5...6.3 mm (the upper hole). Door interlock in I- and II-position and when padlocked in O-position.

| For switches  | Colour     | Shaft diameter [mm] | Type        | Order number    | Weight [kg] |
|---------------|------------|---------------------|-------------|-----------------|-------------|
| OT16...125F_C | Black      | 6                   | OHBS2AJE011 | 1SCA105220R1001 | 0.07        |
| OT16...125F_C | Red-yellow | 6                   | OHYS2AJE011 | 1SCA105301R1001 | 0.07        |

Pistol type handle, plastic, IP65, Nema type 1, 3R, 12. Indication I-O-II. Door interlock in I- and II-position and when padlocked. Padlocking possibility with three padlocks, bail dia  $\varnothing$  5...10 mm.

| For switches                         | Colour     | Shaft diameter [mm] | Type           | Order number    | Weight [kg] |
|--------------------------------------|------------|---------------------|----------------|-----------------|-------------|
| <b>Padlockable in all positions</b>  |            |                     |                |                 |             |
| OT16...125F_C                        | Black      | 6                   | OHB45J6E311    | 1SCA022817R2130 | 0.10        |
|                                      | Red-yellow | 6                   | OHY45J6E311    | 1SCA022817R2300 | 0.1         |
| OT160...250E_C                       | Black      | 6                   | OHB65J6E311    | 1SCA022662R4730 | 0.12        |
| OT315...400E_C                       | Black      | 12                  | OHB95J12E311   | 1SCA022779R2140 | 0.12        |
| OT630...800E_C                       | Black      | 12                  | OHB125J12E311  | 1SCA022615R1730 | 0.14        |
| OT1000...2500E_C                     | Black      | 12                  | OHB200J12PE311 | 1SCA104685R1001 | 0.40        |
| <b>Padlockable in the O-position</b> |            |                     |                |                 |             |
| OT16...125F_C                        | Black      | 6                   | OHB45J6E011    | 1SCA022594R7110 | 0.10        |
|                                      | Red/yellow | 6                   | OHY45J6E011    | 1SCA022817R2210 | 0.10        |
| OT160...250E_C                       | Black      | 6                   | OHB65J6E011    | 1SCA022383R2480 | 0.12        |
| OT315...400E_C                       | Red/yellow | 6                   | OHY65J6E011    | 1SCA022779R1840 | 0.12        |
|                                      | Black      | 12                  | OHB95J12E011   | 1SCA022621R0760 | 0.12        |
| OT630...800E_C                       | Red/yellow | 12                  | OHY95J12E011   | 1SCA022621R0920 | 0.12        |
|                                      | Black      | 12                  | OHB125J12E011  | 1SCA022589R3340 | 0.14        |
| OT1000...2500E_C                     | Red/yellow | 12                  | OHY125J12E011  | 1SCA022615R1650 | 0.14        |
|                                      | Black      | 12                  | OHB200J12PE011 | 1SCA022873R4230 | 0.40        |
|                                      | Red/yellow | 12                  | OHY200J12PE011 | 1SCA104686R1001 | 0.40        |

Metallic handles, IP65, Nema types 1, 3R, 4, 4X, 12. Indication I - O - II. Padlockable with 3 padlocks in OFF- position, door interlock in I- and II- position.

| Handle length [mm] | Colour | Shaft diam. [mm] | Type    | Order number    | Weight [kg] |
|--------------------|--------|------------------|---------|-----------------|-------------|
| 220                | Metal  | 12               | YASDA21 | 1SCA022098R9420 | 0.68        |
| 320                | Metal  | 12               | YASDA6  | 1SCA022071R2890 | 0.80        |



## Handles Ordering information



OHB\_



OTV\_

### Pistol handles, indication I - O - II

Plastic IP65, operating angle 90°, handle not padlockable and no door interlocking.

| For switches   | Colour | Type         | Order number    | Weight [kg] |
|----------------|--------|--------------|-----------------|-------------|
| OT160...250_CF | Black  | OHB65J6E69   | 1SCA112052R1001 | 0.12        |
| OT315...400_CF | Black  | OHB95J12E69  | 1SCA112058R1001 | 0.12        |
| OT630...800_CF | Black  | OHB145J12E69 | 1SCA112066R1001 | 0.14        |

### Pistol handles, indication I - I+II - II

Plastic IP65, operating angle 90°, handle not padlockable and no door interlocking.

| For switches     | Colour | Type          | Order number    | Weight [kg] |
|------------------|--------|---------------|-----------------|-------------|
| OT160...250_CL   | Black  | OHB65J6E65    | 1SCA112050R1001 | 0.12        |
| OT315...400_CL   | Black  | OHB95J12E65   | 1SCA112056R1001 | 0.12        |
| OT630...800_CL   | Black  | OHB145J12E65  | 1SCA112063R1001 | 0.14        |
| OT1000...2500_CL | Black  | OHB200J12PE65 | 1SCA112078R1001 | 0.40        |

### Handles, direct mounting

Plastic I - O - II handle, padlockable with three padlocks in 0-position. Includes a shaft and a mechanism cover. Types -ECMK include also microswitches.

| For switches      | Colour |             | Type        | Order number    | Weight [kg] |
|-------------------|--------|-------------|-------------|-----------------|-------------|
| OT160...250E_C    | Black  | Shaft incl. | OTV250ECK   | 1SCA022783R0090 | 0.08        |
| OT315...400E_C    | Black  | Shaft incl. | OTV400ECK   | 1SCA022783R0170 | 0.26        |
| OT630...800E_C    | Black  | Shaft incl. | OTV800ECK   | 1SCA022797R2470 | 0.30        |
| OT1000...2500E_C  | Black  | Shaft incl. | OTV1000ECK  | 1SCA107481R1001 | 0.75        |
| OTM160...250E_C   | Black  | Shaft incl. | OTV250ECMK  | 1SCA022804R0570 | 0.10        |
| OTM315...400E_C   | Black  | Shaft incl. | OTV400ECMK  | 1SCA022843R2900 | 0.28        |
| OTM630...800E_C   | Black  | Shaft incl. | OTV800ECMK  | 1SCA022804R3410 | 0.32        |
| OTM1000...2500E_C | Black  | Shaft incl. | OTV1000ECMK | 1SCA111301R1001 | 0.77        |

Plastic I - O - II handle, operating angle 90°, handle not padlockable. Includes a shaft and a mechanism cover.

| For switches   | Colour |             | Type       | Order number    | Weight [kg] |
|----------------|--------|-------------|------------|-----------------|-------------|
| OT160...250_CF | Black  | Shaft incl. | OTV250ECFK | 1SCA113141R1001 | 0.08        |
| OT315...400_CF | Black  | Shaft incl. | OTV400ECFK | 1SCA113147R1001 | 0.26        |
| OT630...800_CF | Black  | Shaft incl. | OTV800ECFK | 1SCA113151R1001 | 0.30        |

Plastic I - I+II - II handle, operating angle 90°, handle not padlockable. Includes a shaft and a mechanism cover.

| For switches     | Colour |             | Type        | Order number    | Weight [kg] |
|------------------|--------|-------------|-------------|-----------------|-------------|
| OT160...250_CL   | Black  | Shaft incl. | OTV250ECLK  | 1SCA113137R1001 | 0.08        |
| OT315...400_CL   | Black  | Shaft incl. | OTV400ECLK  | 1SCA113143R1001 | 0.26        |
| OT630...800_CL   | Black  | Shaft incl. | OTV800ECLK  | 1SCA113148R1001 | 0.30        |
| OT1000...2500_CL | Black  | Shaft incl. | OTV1000ECLK | 1SCA113152R1001 | 0.75        |

### Handle and spare fuse storage clip

Handle and two spare fuses can be stored onto the OTVS\_. OTVS\_ can be installed onto the left side of the switch. Snap-on mounting, no tools required. On OTM1000...2500E\_, the size of the handle prevents the installation onto the switch frame. However, the handle clip can be installed separately onto the panel frame and the fuse holder clip onto the switch frame.



OTVS1

| For switches    | Type  | Order number    | Weight [kg] |
|-----------------|-------|-----------------|-------------|
| OTM160...250E_  | OTVS1 | 1SCA111413R1001 | 0.02        |
| OTM315...2500E_ | OTVS2 | 1SCA111414R1001 | 0.04        |





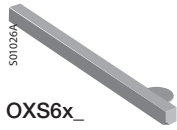
## Extended shafts Ordering information

### Shafts for selector type handles

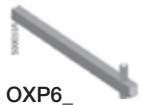
| Suitable for switches      | Installation depth [mm] | Length [mm] | Type     | Order number    | Weight [kg] |
|----------------------------|-------------------------|-------------|----------|-----------------|-------------|
| <b>Shaft diameter 6 mm</b> |                         |             |          |                 |             |
| OT16...40                  | 103...114               | 85          | OXS6x85  | 1SCA101647R1001 | 0.03        |
|                            | 123...134               | 105         | OXS6x105 | 1SCA108043R1001 | 0.03        |
|                            | 138...149               | 120         | OXS6x120 | 1SCA101654R1001 | 0.04        |
|                            | 148...159               | 130         | OXS6x130 | 1SCA101655R1001 | 0.04        |
| OT63...80                  | 121...131               | 85          | OXS6x85  | 1SCA101647R1001 | 0.03        |
|                            | 141...151               | 105         | OXS6x105 | 1SCA108043R1001 | 0.03        |
|                            | 156...166               | 120         | OXS6x120 | 1SCA101654R1001 | 0.04        |
|                            | 166...176               | 130         | OXS6x130 | 1SCA101655R1001 | 0.04        |
| OT 100...125               | 120...130               | 85          | OXS6x85  | 1SCA101647R1001 | 0.03        |
|                            | 140...150               | 105         | OXS6x105 | 1SCA108043R1001 | 0.03        |
|                            | 155...165               | 120         | OXS6x120 | 1SCA101654R1001 | 0.04        |
|                            | 165...175               | 130         | OXS6x130 | 1SCA101655R1001 | 0.04        |

### Shafts for pistol type handles

| Suitable for switches       | Installation depth [mm] | Length [mm] | Type      | Order number    | Weight [kg]     |
|-----------------------------|-------------------------|-------------|-----------|-----------------|-----------------|
| <b>Shaft diameter 6 mm</b>  |                         |             |           |                 |                 |
| OT16...40                   | 164...175               | 150         | OSP6x150  | 1SCA022295R5600 | 0.05            |
|                             | 184...195               | 170         | OSP6x170  | 1SCA108224R1001 | 0.05            |
|                             | 279...290               | 265         | OSP6x265  | 1SCA108225R1001 | 0.08            |
|                             | 414...425               | 400         | OSP6x400  | 1SCA108226R1001 | 0.12            |
| OT63...80                   | 183...194               | 150         | OSP6x150  | 1SCA022295R5600 | 0.05            |
|                             | 203...214               | 170         | OSP6x170  | 1SCA108224R1001 | 0.05            |
|                             | 298...309               | 265         | OSP6x265  | 1SCA108225R1001 | 0.08            |
|                             | 433...444               | 400         | OSP6x400  | 1SCA108226R1001 | 0.12            |
| OT100...125                 | 192...206               | 150         | OSP6x150  | 1SCA022295R5600 | 0.05            |
|                             | 212...226               | 170         | OSP6x170  | 1SCA108224R1001 | 0.05            |
|                             | 307...321               | 265         | OSP6x265  | 1SCA108225R1001 | 0.08            |
|                             | 442...456               | 400         | OSP6x400  | 1SCA108226R1001 | 0.12            |
| <b>Shaft diameter 6 mm</b>  |                         |             |           |                 |                 |
| OT160...250E_C              | 166...214               | 90          | OSP6X90   | 1SCA022064R1180 | 0.03            |
|                             | 209...254               | 130         | OSP6X130  | 1SCA022057R0570 | 0.04            |
|                             | 240...285               | 161         | OSP6X161  | 1SCA022067R1760 | 0.05            |
|                             | 289...334               | 210         | OSP6X210  | 1SCA022295R6080 | 0.06            |
|                             | 369...414               | 290         | OSP6X290  | 1SCA022042R6370 | 0.08            |
|                             | 439...484               | 360         | OSP6X360  | 1SCA022042R6530 | 0.11            |
| <b>Shaft diameter 12 mm</b> |                         |             |           |                 |                 |
| OT315...400E_C              | 209...266               | 107         | OSP12X107 | 1SCA022029R9750 | 0.12            |
|                             | 243...307               | 148         | OSP12X148 | 1SCA022658R5570 | 0.17            |
|                             | 261...325               | 166         | OSP12X166 | 1SCA022325R7100 | 0.20            |
|                             | 280...344               | 185         | OSP12X185 | 1SCA022325R6710 | 0.22            |
|                             | 345...409               | 250         | OSP12X250 | 1SCA022325R6980 | 0.29            |
|                             | 375...439               | 280         | OSP12X280 | 1SCA022137R5140 | 0.33            |
|                             | 420...484               | 325         | OSP12X325 | 1SCA022042R5810 | 0.38            |
|                             | 490...554               | 395         | OSP12X395 | 1SCA022042R5990 | 0.46            |
|                             | 560...624               | 465         | OSP12X465 | 1SCA022042R6020 | 0.54            |
|                             | OT630...800E_C          | 287...355   | 148       | OSP12X148       | 1SCA022658R5570 |
| 324...422                   |                         | 185         | OSP12X185 | 1SCA022325R6710 | 0.22            |
| 389...487                   |                         | 250         | OSP12X250 | 1SCA022137R5140 | 0.29            |
| 464...562                   |                         | 325         | OSP12X325 | 1SCA022042R5810 | 0.38            |
| 534...632                   |                         | 395         | OSP12X395 | 1SCA022042R5990 | 0.46            |
| 604...702                   |                         | 465         | OSP12X465 | 1SCA022042R6020 | 0.54            |
| OT1000...2500E_C            | 339...425               | 166         | OSP12X166 | 1SCA022325R7100 | 0.20            |
|                             | 423...509               | 250         | OSP12X250 | 1SCA022137R5140 | 0.29            |
|                             | 498...584               | 325         | OSP12X325 | 1SCA022042R5810 | 0.38            |
|                             | 568...654               | 395         | OSP12X395 | 1SCA022042R5990 | 0.46            |
|                             | 638...724               | 465         | OSP12X465 | 1SCA022042R6020 | 0.54            |



OXS6x\_



OSP6\_



OSP12\_



## Auxiliary contacts Ordering information

### Auxiliary contacts

Snap-on mounting to the switch, IP 20, max. 2 blocks/ side. Ith = 16 A, suitable for cable cross sections max. 2 x 2,5 mm<sup>2</sup>. See the contact functions, pages 32 - 33.



OA\_G\_



OA2G11



OA1G01 OA1G10  
OA7G10 OA8G01

| Suitable for switches | Contact functions | Installation side | Type                 | Order number    | Weight [kg] |
|-----------------------|-------------------|-------------------|----------------------|-----------------|-------------|
| OT16...125F_C         | 1NO               | Right             | OA1G10               | 1SCA022353R4970 | 0.03        |
|                       | 1NC               | Right             | OA8G01               | 1SCA022744R2240 | 0.03        |
|                       | 1NO               | Left              | OA7G10               | 1SCA022673R1140 | 0.03        |
|                       | 1NC               | Left              | OA1G01               | 1SCA022353R4890 | 0.03        |
| OT63...125F3C         | 1NO+1NC           | Either            | OA2G11 <sup>1)</sup> | 1SCA022379R8100 | 0.03        |

Mounting on the right side of the switch: Max. 4 auxiliary contact blocks/switch (totally 8 blocks). Simultaneous action with the main contacts, IP20.

| Suitable for switches | Contact function | Type   | Order number    | Weight [kg] |
|-----------------------|------------------|--------|-----------------|-------------|
| OT_160...2500E_C_     | 1NO              | OA1G10 | 1SCA022353R4970 | 0.03        |
|                       | 1NC              | OA3G01 | 1SCA022456R7410 | 0.03        |

<sup>1)</sup> Not mountable on 4-pole change-over switches.



# Fourth poles and terminal shrouds

## Ordering information

### 4th poles

Snap-on mounting to the left or right side of the switches, IP20. Simultaneous operation with power poles.

| Suitable for switches | Rated current / up to 415V<br>AC-21A /AC-22A<br>I[A] | AC-23A<br>I[A] | Type                     | Order number    | Weight<br>[kg] |
|-----------------------|--|----------------|--------------------------|-----------------|----------------|
| OT16...40             | 40   | 23             | OTPS40FPN1 <sup>1)</sup> | 1SCA105001R1001 | 0.03           |
| OT16...40             | 40   | 23             | OTPS40FPN2 <sup>2)</sup> | 1SCA105000R1001 | 0.03           |
| OT63...80             | 80   | 75             | OTPS80FP                 | 1SCA105461R1001 | 0.06           |
| OT100...125           | 125  | 90             | OTPS125FP                | 1SCA105099R1001 | 0.14           |

<sup>1)</sup> Installation to the left side

<sup>2)</sup> Installation to the right side

### Terminal shrouds

Transparent plastic, snap-on mounting to the switches, IP20. The full shrouding of a 3-pole change-over switch is achieved with four 3-pole shrouds.

| Suitable for switches          | Type     | Order number    | Weight<br>[kg] |
|--------------------------------|----------|-----------------|----------------|
| <b>For three pole switches</b> |          |                 |                |
| OT16...40                      | OTS40T3  | 1SCA105317R1001 | 0.01           |
| OT63...80                      | OTS63T3  | 1SCA022353R6750 | 0.01           |
| OT100...125                    | OTS125T3 | 1SCA022379R9680 | 0.01           |
| <b>For fourth pole</b>         |          |                 |                |
| OTPS40FPN1                     | OTS40T1  | 1SCA105314R1001 |                |
| OTPS40FPN2                     | OTS40T1  | 1SCA105314R1001 | 0.01           |
| OTPS80FP                       | OTS63T1  | 1SCA022353R6910 | 0.01           |
| OTPS125FP                      | OTS125T1 | 1SCA022379R9760 | 0.01           |

| Suitable for switches | Number of poles | Description | Type | Order number | Weight<br>[kg] |
|-----------------------|-----------------|-------------|------|--------------|----------------|
|-----------------------|-----------------|-------------|------|--------------|----------------|

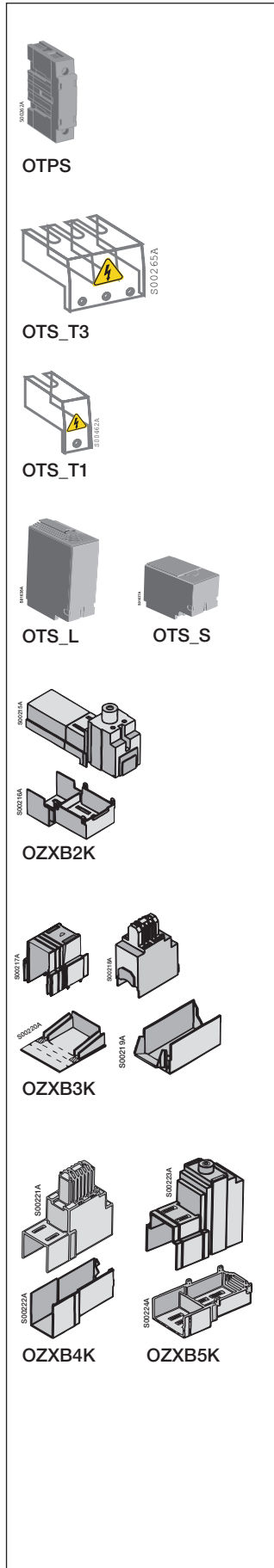
#### Snap-on mounting, grey plastic

A kit includes three (four) shrouds which can be used on either side of the switch. Suitable for the upper switch. Transparent shrouds for OT\_160...2500 available on request, please replace the letter "G" with "T".

|                   |   |            |              |                 |      |
|-------------------|---|------------|--------------|-----------------|------|
| OT_160...250E_C   | 3 | Long type  | OTS250G1L/3  | 1SCA022731R8150 | 0.09 |
|                   | 3 | Short type | OTS250G1S/3  | 1SCA022731R8310 | 0.06 |
| OT_160...250E_C   | 4 | Long type  | OTS250G1L/4  | 1SCA022731R8230 | 0.12 |
|                   | 4 | Short type | OTS250G1S/4  | 1SCA022731R8400 | 0.08 |
| OT_315...400E_C   | 3 | Long type  | OTS400G1L/3  | 1SCA022736R8840 | 0.15 |
|                   | 3 | Short type | OTS400G1S/3  | 1SCA022736R9060 | 0.09 |
| OT_315...400E_C   | 4 | Long type  | OTS400G1L/4  | 1SCA022736R9490 | 0.20 |
|                   | 4 | Short type | OTS400G1S/4  | 1SCA022736R9650 | 0.12 |
| OT_600...800E_C   | 3 | Long type  | OTS800G1L/3  | 1SCA022776R7890 | 0.32 |
|                   | 3 | Short type | OTS800G1S/3  | 1SCA022776R8190 | 0.17 |
| OT_600...800E_C   | 4 | Long type  | OTS800G1L/4  | 1SCA022776R7970 | 0.42 |
|                   | 4 | Short type | OTS800G1S/4  | 1SCA022776R8270 | 0.26 |
| OT_1000...1600E_C | 3 | Long type  | OTS1600G1L/3 | 1SCA022871R9510 | 0.64 |
|                   | 3 | Short type | OTS1600G1S/3 | 1SCA022871R9600 | 0.37 |
| OT_1000...1600E_C | 4 | Long type  | OTS1600G1L/4 | 1SCA022871R9780 | 0.85 |
|                   | 4 | Short type | OTS1600G1S/4 | 1SCA022871R9860 | 0.49 |
| OT_2000...2500E_C | 3 | Long type  | OTS2500G1L/3 | 1SCA107261R1001 | 0.77 |
|                   | 3 | Short type | OTS2500G1S/3 | 1SCA107260R1001 | 0.47 |
| OT_2000...2500E_C | 4 | Long type  | OTS2500G1L/4 | 1SCA107262R1001 | 1.0  |
|                   | 4 | Short type | OTS2500G1S/4 | 1SCA107271R1001 | 0.61 |

#### Snap-on mounting to the terminal clamps, transparent plastic, IP 2X.

| Suitable for terminal clamps | Number of poles | Type   | Order number    | Weight<br>[kg] |
|------------------------------|-----------------|--------|-----------------|----------------|
| OZXB2, 2L                    | 3               | OZXB2K | 1SCA022264R0010 | 0.05           |
| OZXB3, 4                     | 3               | OZXB3K | 1SCA022264R0440 | 0.20           |
| OZXB5, 6                     | 3               | OZXB4K | 1SCA022199R2850 | 0.24           |
| OZXB7, 7L                    | 3               | OZXB5K | 1SCA022283R8040 | 0.13           |

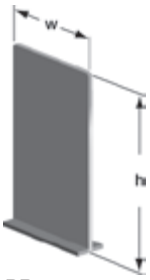




## Phase separators Ordering information



OTB\_



PB\_

### Phase separators

Grey plastic plate for maintaining clearance between the phases without terminal shrouds. Snap-on mounting. The package includes 12 plates and 6 filling plates.

| Suitable for switches               | Type       | Order number    | Weight [kg] |
|-------------------------------------|------------|-----------------|-------------|
| OT600U, OT630...800E, 3- and 4-pole | OTB800/6C  | 1SCA107272R1001 | 0.55        |
| OT1000...2500, 3- and 4-pole        | OTB1600/6C | 1SCA104661R1001 | 0.74        |

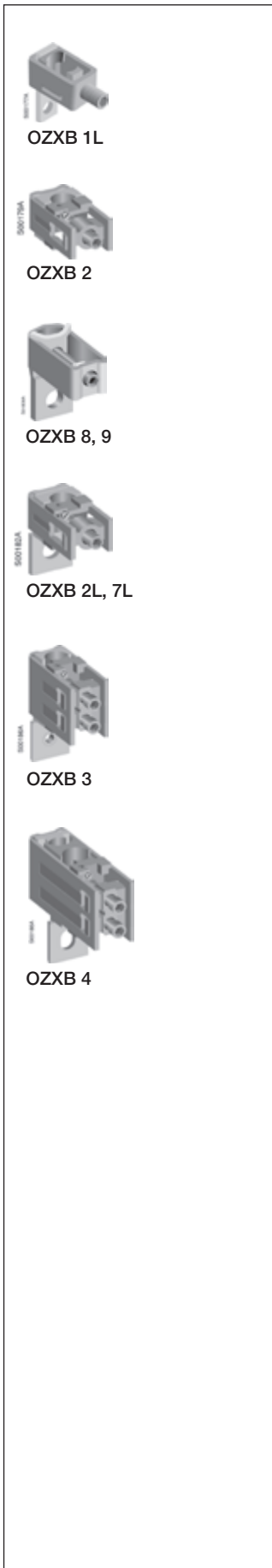
### Phase barriers

The phase barriers designed for ABB Tmax T4-T5 MCCB's can also be used for OT\_160...800 change-over switches. 3-pole change-overs need 8 barriers and 4-pole change-overs need 12 barriers for full protection.

| Suitable for switches  | Number of poles | Height h [mm] | Cutting width w of the phase barrier [mm] | Type       | Order number | Units/type [pcs] |
|------------------------|-----------------|---------------|---|------------|--------------|------------------|
| OT_160...<br>...250E_C | 3               | 100           | 55  | PB100 low  | 1SDA054970R1 | 4                |
|                        | 3               | 200           | 55  | PB200 high | 1SDA054972R1 | 4                |
|                        | 4               | 100           | 55  | PB100 low  | 1SDA054971R1 | 6                |
|                        | 4               | 200           | 55  | PB200 high | 1SDA054973R1 | 6                |
| OT_315...<br>...400E_C | 3               | 100           | 67  | PB100 low  | 1SDA054970R1 | 4                |
|                        | 3               | 200           | 67  | PB200 high | 1SDA054972R1 | 4                |
|                        | 4               | 100           | 67  | PB100 low  | 1SDA054971R1 | 6                |
|                        | 4               | 200           | 67  | PB200 high | 1SDA054973R1 | 6                |
| OT_600...<br>...800E_C | 3               | 100           | 90  | PB100 low  | 1SDA054970R1 | 4                |
|                        | 3               | 200           | 90  | PB200 high | 1SDA054972R1 | 4                |
|                        | 4               | 100           | 90  | PB100 low  | 1SDA054971R1 | 6                |
|                        | 4               | 200           | 90  | PB200 high | 1SDA054973R1 | 6                |



# Connecting accessories Ordering information



## Terminal clamp sets

| Suitable for switches                            | Cable cross section [mm <sup>2</sup> ] | Suitable shroud | Type     | Order number    | Package [pcs] | Weight [kg] |
|--|--|-----------------|----------|-----------------|---------------|-------------|
| <b>Parallel connection terminal</b>              |  |                 |          |                 |               |             |
| OT100...125                                      | 2xAl/Cu 6...50                         |                 | OZXT3    | 1SCA022639R0720 | 3             | 0.21        |
| <b>Terminal clamp sets for Al- and Cu-cables</b> |  |                 |          |                 |               |             |
| OT_160...250E_C                                  | 10...70                                | OTS250_L        | OZXB1L   | 1SCA022169R2030 | 3             | 0.15        |
|  | 10...70                                | OTS250_L        | OZXB1L/1 | 1SCA022194R0030 | 1             | 0.05        |
|  | 25...120                               | OZXB2K          | OZXB2    | 1SCA022119R7610 | 3             | 0.34        |
|  | 25...120                               | OZXB2K          | OZXB2/1  | 1SCA022194R0200 | 1             | 0.12        |
|  | 25...120                               | OZXB2K          | OZXB2L   | 1SCA022158R7750 | 3             | 0.43        |
|  | 25...120                               | OZXB2K          | OZXB2L/1 | 1SCA022194R0460 | 1             | 0.15        |
|  | 95...185                               | OTS250_L        | OZXB8    | 1SCA022744R1510 | 3             | 0.50        |
|  | 95...185                               | OTS250_L        | OZXB8/1  | 1SCA022744R1600 | 1             | 0.15        |
| OT_315...400E_C                                  | 95...240                               | OTS250_L        | OZXB9    | 1SCA022750R3210 | 3             | 0.50        |
|  | 95...240                               | OTS250_L        | OZXB9/1  | 1SCA022750R3300 | 1             | 0.15        |
|  | 25...120                               | OZXB2K          | OZXB2L   | 1SCA022158R7750 | 3             | 0.43        |
|  | 25...120                               | OZXB2K          | OZXB2L/1 | 1SCA022194R0460 | 1             | 0.15        |
|  | 95...185                               | OZXB3K          | OZXB3    | 1SCA022136R8100 | 3             | 1.28        |
|  | 95...185                               | OZXB3K          | OZXB3/1  | 1SCA022194R0620 | 1             | 0.43        |
|  | 2x(95...185)                           | OZXB3K          | OZXB4    | 1SCA022137R4760 | 3             | 1.71        |
|  | 2x(95...185)                           | OZXB3K          | OZXB4/1  | 1SCA022194R0890 | 1             | 0.57        |
| OT_630...800E_C                                  | 120...240                              | OZXB5K          | OZXB7    | 1SCA022185R0040 | 3             | 1.00        |
|  | 120...240                              | OZXB5K          | OZXB7/1  | 1SCA022194R1430 | 1             | 0.34        |
|  | 120...240                              | OZXB5K          | OZXB7L   | 1SCA022185R7130 | 3             | 1.17        |
|  | 120...240                              | OZXB5K          | OZXB7L/1 | 1SCA022194R1600 | 1             | 0.40        |
|  | 95...185                               | OTS400_L        | OZXB8    | 1SCA022744R1510 | 3             | 0.50        |
|  | 95...185                               | OTS400_L        | OZXB8/1  | 1SCA022744R1600 | 1             | 0.15        |
|  | 95...240                               | OTS400_L        | OZXB9    | 1SCA022750R3210 | 3             | 0.50        |
|  | 95...240                               | OTS400_L        | OZXB9/1  | 1SCA022750R3300 | 1             | 0.15        |
|  | 120...300                              | OZXB4K          | OZXB5    | 1SCA022137R2470 | 3             | 2.28        |
|  | 120...300                              | OZXB4K          | OZXB5/1  | 1SCA022194R1010 | 1             | 0.76        |
| OT_1000...1600E_C                                | 2x(120...300)                          | OZXB4K          | OZXB6    | 1SCA022137R4920 | 3             | 3.12        |
|  | 2x(120...300)                          | OZXB4K          | OZXB6/1  | 1SCA022194R1270 | 1             | 1.04        |
|  | 95...185                               | OTS1600_L       | OZXB3    | 1SCA022136R8100 | 3             | 1.28        |
|  | 95...185                               | OTS1600_L       | OZXB3/1  | 1SCA022194R0620 | 1             | 0.13        |
|  | 2x(95...185)                           | OTS1600_L       | OZXB4    | 1SCA022137R4760 | 3             | 1.71        |
|  | 2x(95...185)                           | OTS1600_L       | OZXB4/1  | 1SCA022194R0890 | 1             | 0.60        |
|  | 120...300                              | OTS1600_L       | OZXB5    | 1SCA022137R2470 | 3             | 2.22        |
|  | 120...300                              | OTS1600_L       | OZXB5/1  | 1SCA022194R1010 | 1             | 0.80        |
| OT_2000...2500E_C                                | 2x(120...300)                          | OTS1600_L       | OZXB6    | 1SCA022137R4920 | 3             | 3.03        |
|  | 2x(120...300)                          | OTS1600_L       | OZXB6/1  | 1SCA022194R1270 | 1             | 1.00        |
|  | 120...240                              | OTS1600_L       | OZXB7L   | 1SCA022185R7130 | 3             | 1.20        |
|  | 120...240                              | OTS1600_L       | OZXB7L/1 | 1SCA022194R1600 | 1             | 0.39        |
|  | 95...185                               | OTS2500_L       | OZXB3    | 1SCA022136R8100 | 3             | 1.28        |
|  | 95...185                               | OTS2500_L       | OZXB3/1  | 1SCA022194R0620 | 1             | 0.13        |
|  | 2x(95...185)                           | OTS2500_L       | OZXB4    | 1SCA022137R4760 | 3             | 1.71        |
|  | 2x(95...185)                           | OTS2500_L       | OZXB4/1  | 1SCA022194R0890 | 1             | 0.60        |
| OT_2000...2500E_C                                | 120...300                              | OTS2500_L       | OZXB5    | 1SCA022137R2470 | 3             | 2.22        |
|  | 120...300                              | OTS2500_L       | OZXB5/1  | 1SCA022194R1010 | 1             | 0.80        |
|  | 2x(120...300)                          | OTS2500_L       | OZXB6    | 1SCA022137R4920 | 3             | 3.03        |
|  | 2x(120...300)                          | OTS2500_L       | OZXB6/1  | 1SCA022194R1270 | 1             | 1.00        |
|  | 120...240                              | OTS1600_L       | OZXB7L   | 1SCA022185R7130 | 3             | 1.20        |
|  | 120...240                              | OTS1600_L       | OZXB7L/1 | 1SCA022194R1600 | 1             | 0.39        |



# Conversion kits Ordering information

## Change-over kits

The modular change-over switches can be built up by adding a compact snap-on kit on the top of two switch-disconnectors. The kits do not require any additional foot print area, only the height is increased 12 mm.

| For switches | For shafts   | Type     | Order number    | Weight [kg] |
|--------------|--------------|----------|-----------------|-------------|
| OT16...40    | OXS6_, OXP6_ | OWG6D40  | 1SCA022865R4550 | 0.03        |
| OT63...80    | OXS6_, OXP6_ | OWC6D80  | 1SCA022865R4630 | 0.07        |
| OT100...125  | OXS6_, OXP6_ | OWC6D125 | 1SCA104494R1001 | 0.09        |

Two standard switch-disconnectors can be connected with a mechanism operating into I-O-II positions. Two 3 or 4-pole switches are needed.

| Suitable for switches | Shafts distance [mm] | Type     | Order number    | Units/ type [pcs] | Weight/ unit [kg] |
|-----------------------|----------------------|----------|-----------------|-------------------|-------------------|
| OT16 - 125            | 90+(0 - 10)x15       | OESAZW1  | 1SCA022064R3710 | 1                 | 0.78              |
| OT160 - 250           | 210+(0 - 18)x20      | OTZW25   | 1SCA022778R6920 | 1                 | 2.8               |
| OT315 - 800           | 210+(0 - 11)x20      | OETLZW11 | 1SCA022078R0030 | 1                 | 3.0               |

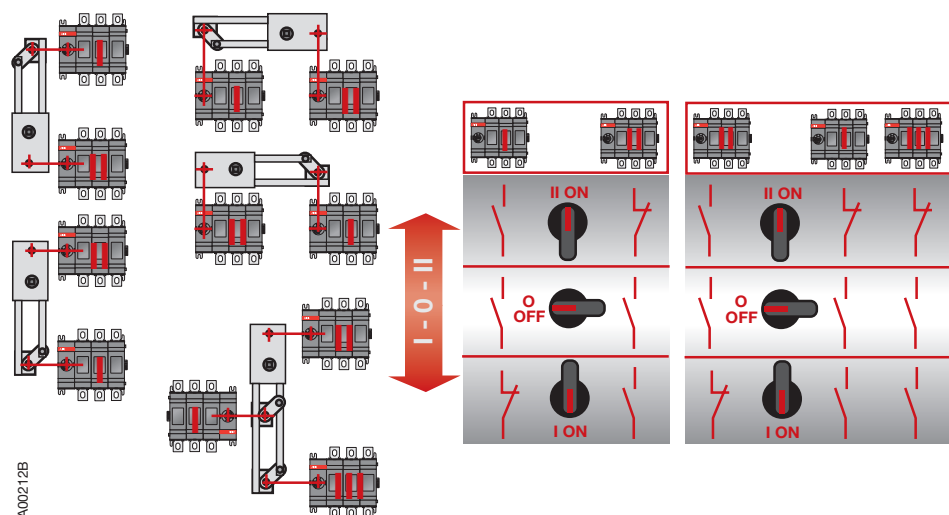
## By-pass kits

A combination of two switches in parallel with a third switch for change-over operation to by-pass, for example, a breaker for maintenance. The by-pass attachment can be used together with another combination attachment. Three 3 or 4-pole switches needed.

|             |  |          |                 |   |      |
|-------------|--|----------|-----------------|---|------|
| OT 16 - 125 | Between 1 and 2:<br>90+(0 - 6)x15<br>Between 1 and 3:<br>90+(0 - 10)x15    | OTZW17   | 1SCA022387R1620 | 1 | 0.88 |
| OT160 - 250 | Between 1 and 2:<br>210+(0 - 9)x20<br>Between 1 and 3:<br>250+(0 - 9)x20   | OTZW26   | 1SCA022778R7060 | 1 | 3.3  |
| OT315 - 800 | Between 1 and 2:<br>210+(0 - 18)x20<br>Between 1 and 3:<br>250+(0 - 18)x20 | OETLZW13 | 1SCA022078R0460 | 1 | 4.0  |

## Shafts and handles for conversion kits

| Conversion kit type | Included in conversion kit delivery |               |
|---------------------|-------------------------------------|---------------|
|                     | Shaft                               | Handle        |
| OESAZW1             | x (2 pcs)                           | OHB80J6E011   |
| OTZW25              | x (2 pcs)                           | OHB95J12E011  |
| OETLZW11            | x (2 pcs)                           | OHB145J12E011 |
| OTZW17              | x (3 pcs)                           | OHB80J6E011   |
| OTZW26              | x (3 pcs)                           | OHB95J12E011  |
| OETLZW13            | x (3 pcs)                           | YASDA 6       |



The functional diagram of change-over and by-pass kits

S01282A



OWC6D\_

S01294A



OESAZW1

S00054B



OTZW25,  
OETLZW11

S01245A



OTZW 17

S00058B



OTZW26

S00056A



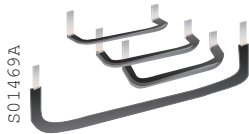
OETLZW13

A00212B

### Parallel connection kits

Finger protected connection bars for parallel connection of the upper or lower terminals. The bars accept additional cables, the maximum size is stated below.

| For switches   | Max. cable size [mm <sup>2</sup> ] | Type   | Order number    | Weight [kg] |
|----------------|------------------------------------|--------|-----------------|-------------|
| OT16...40F3C   | 6 (fine stranded), 10 (stranded)   | OZXA33 | 1SCA022685R0310 | 0.02        |
| OT16...40F4C   | 6 (fine stranded), 10 (stranded)   | OZXA32 | 1SCA022683R4110 | 0.03        |
| OT63...80F3C   | 25                                 | OZXA38 | 1SCA022785R2140 | 0.06        |
| OT63...80F4C   | 25                                 | OZXA39 | 1SCA022790R3820 | 0.09        |
| OT100...125F3C | 50                                 | OZXA40 | 1SCA022790R3910 | 0.16        |
| OT100...125F4C | 50                                 | OZXA41 | 1SCA022790R4040 | 0.24        |



OZXA 32



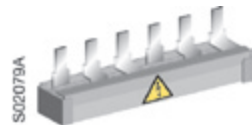
OZXA 33



OZXA 38



OZXA 39



OZXA 40



OZXA 41

### Bridging bars

The bridging bars provide a connection link either on the incoming or outgoing side of the switch.

| For switches      | Number of poles | Type   | Order number    | Weight [kg] |
|-------------------|-----------------|--------|-----------------|-------------|
| OT_160...250E_C   | 3               | OTZC13 | 1SCA022767R6910 | 0.6         |
|                   | 4               | OTZC14 | 1SCA022767R7040 | 0.8         |
| OT_315...400E_C   | 3               | OTZC23 | 1SCA022767R7120 | 0.6         |
|                   | 4               | OTZC24 | 1SCA022767R7210 | 0.8         |
| OT_600...800E_C   | 3               | OTZC33 | 1SCA022785R7020 | 1.0         |
|                   | 4               | OTZC34 | 1SCA022785R7110 | 1.3         |
| OT_1000...1250E_C | 3               | OTZC43 | 1SCA022868R0710 | 4.2         |
|                   | 4               | OTZC44 | 1SCA022868R0800 | 5.6         |
| OT_1600E_C        | 3               | OTZC53 | 1SCA022868R0980 | 5.6         |
|                   | 4               | OTZC54 | 1SCA022868R1010 | 7.4         |
| OT_2000...2500E_C | 3               | OTZC63 | 1SCA022868R1100 | 10.8        |
|                   | 4               | OTZC64 | 1SCA022868R1360 | 14.5        |

### Reversing bars

A reversing switch can be built up by using phase sequence bars in two phases.

The kit includes two phase sequence conversion bars.

The missing bridging bars must be ordered separately.

For example 3-pole switches: one 4-pole standard bridging bar kit is required (one bar for the reversing side, three bars for the other side).

| Suitable for switches | Type  | Order number    | Weight [kg] |
|-----------------------|-------|-----------------|-------------|
| OT_160...250E_C       | OTZR1 | 1SCA100352R1001 | 0.3         |
| OT_315...400E_C       | OTZR2 | 1SCA104647R1001 | 0.3         |
| OT_600...800E_C       | OTZR3 | 1SCA100355R1001 | 0.4         |

### Interlocking device for locks

Cam attachment for Castell, Lowe & Fletcher or Ronis interlock. Lock, handle or shaft not included.

Mounting to OXP-shaft, works together with OH-door handle and a shaft. This accessory is mounted to the operating shaft of the switch and therefore only compatible with external handles.

| Suitable for switches | Type     | Order number    | Weight [kg] |
|-----------------------|----------|-----------------|-------------|
| OT16...125F_C         | OETLZW16 | 1SCA022093R2070 | 0.17        |
| OT160...250E_C        | OETLZW16 | 1SCA022093R2070 | 0.17        |
| OT315...2500E_C       | OETLZW5  | 1SCA022052R3900 | 0.14        |



OTZC13...34



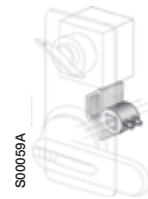
OTZC43...44  
OTZC53...54



OETLZXC7...10



OTZR\_



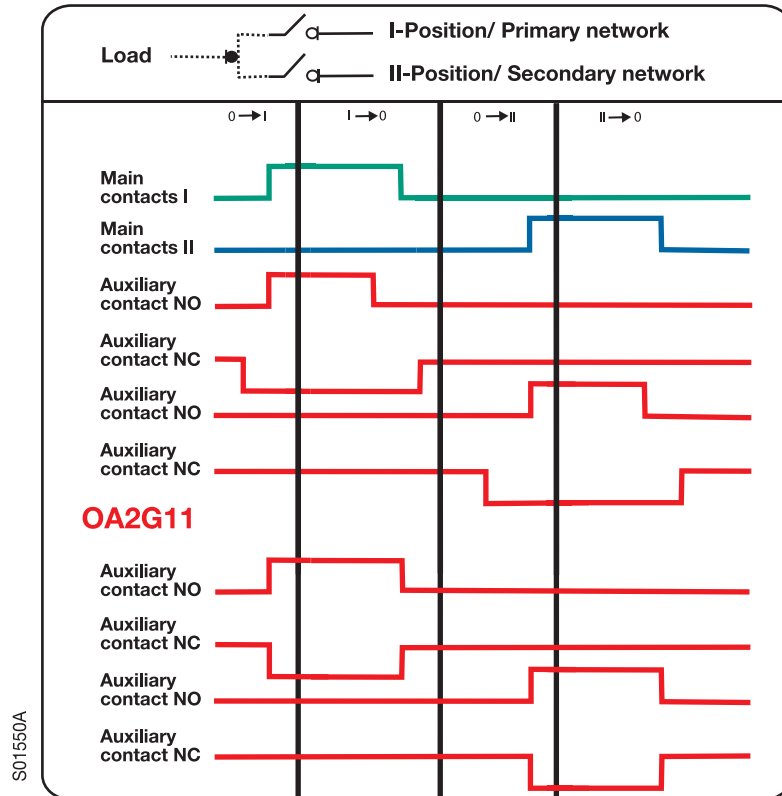
OETLZW\_



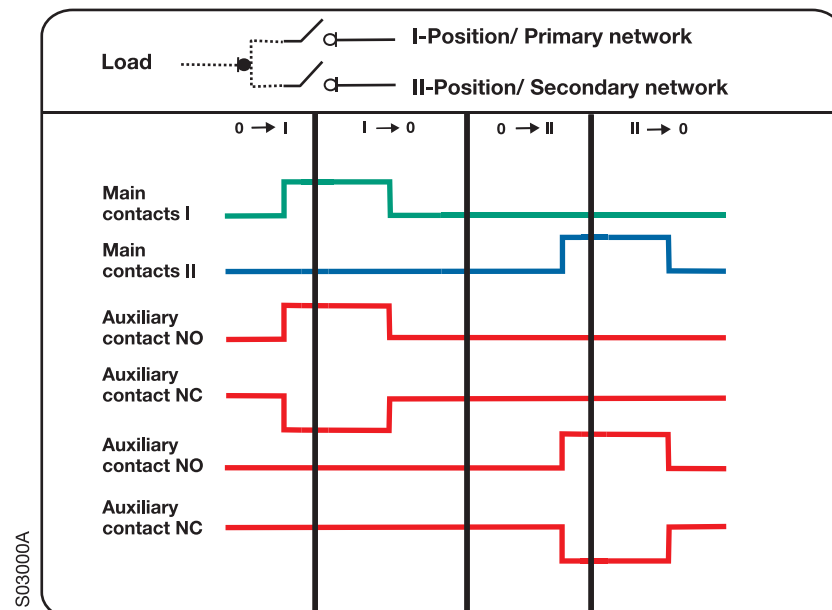


# Contact functions Diagrams

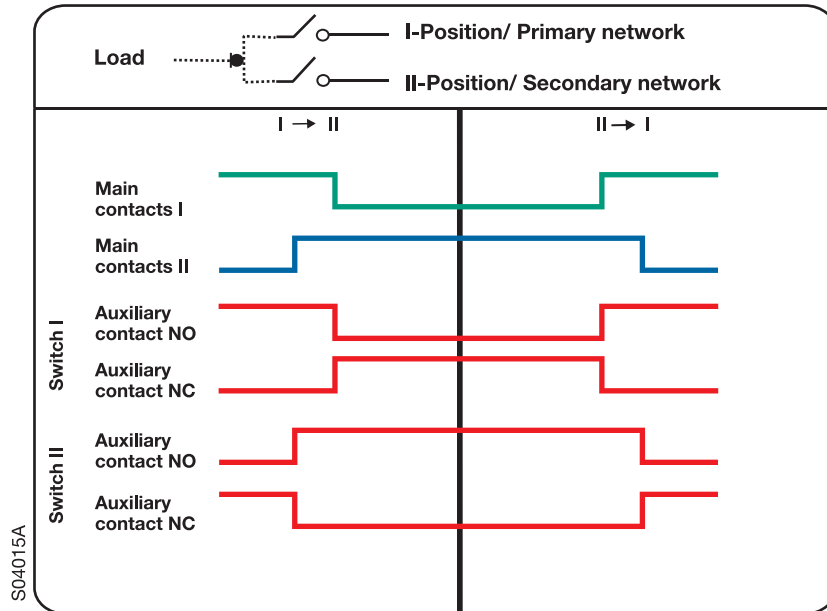
## Contact functions for OT16...125\_C



## Contact functions for OT\_160...2500\_C



## Contact functions for OT160...800\_CL



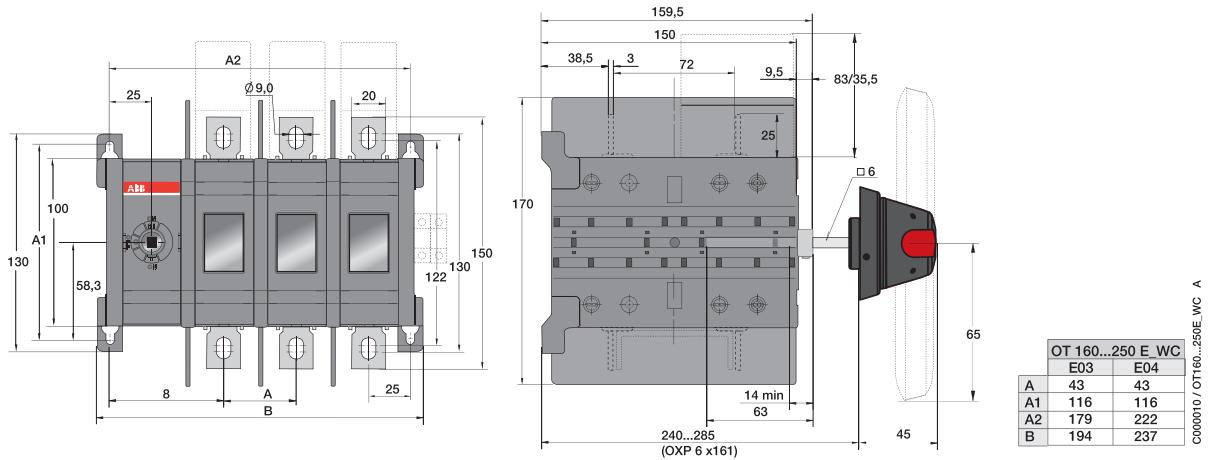




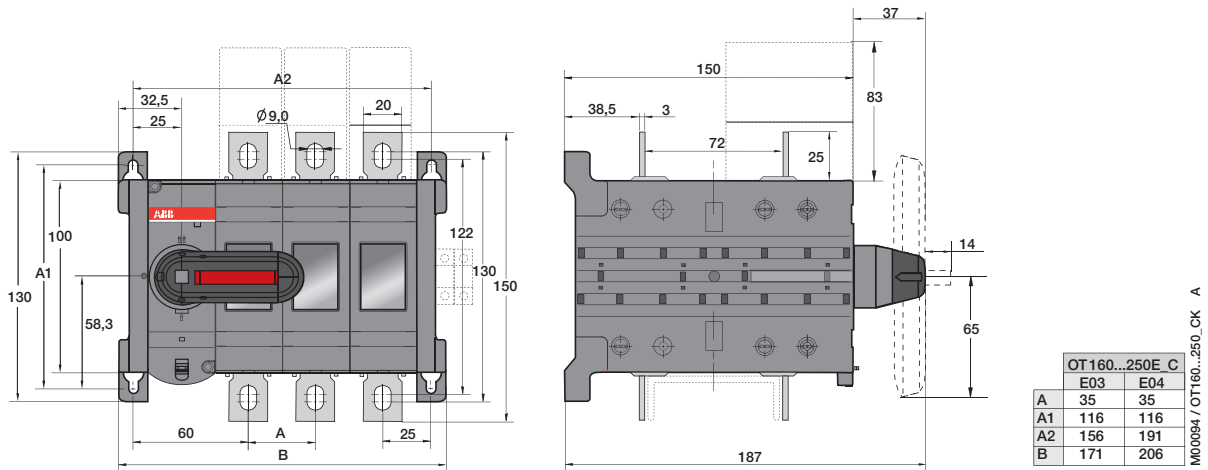


# Change-over switches Dimension drawings

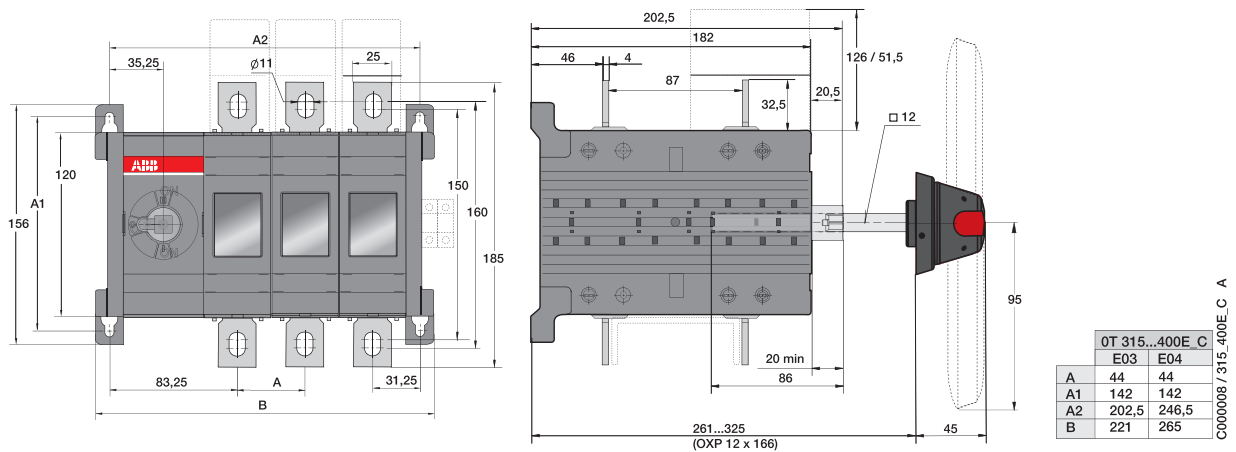
## OT160E03/04WC\_P...OT250E03/04WC\_P



## OT160...250\_ with direct mounted handle



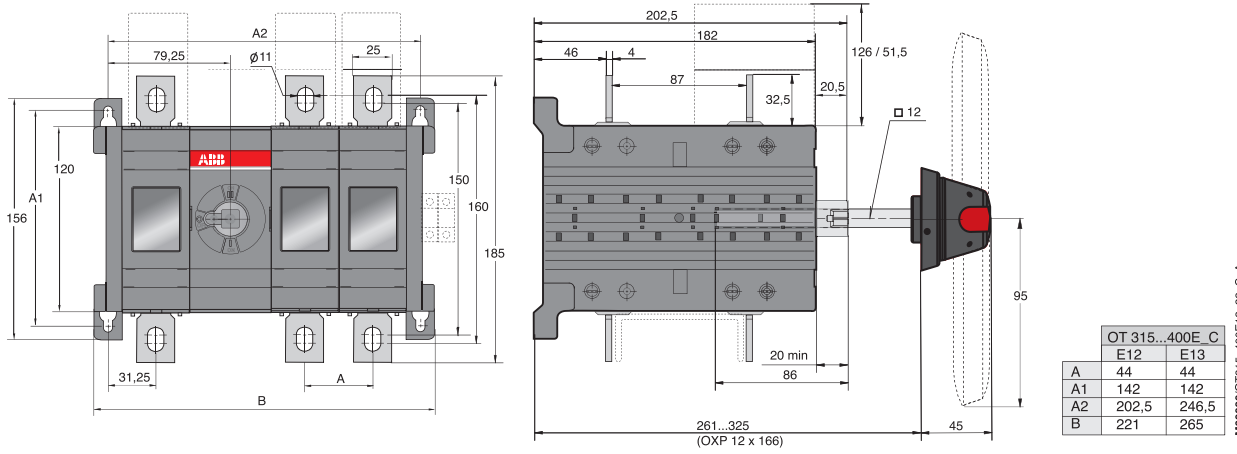
## OT315E03/04C\_P and OT400E03/04C\_P



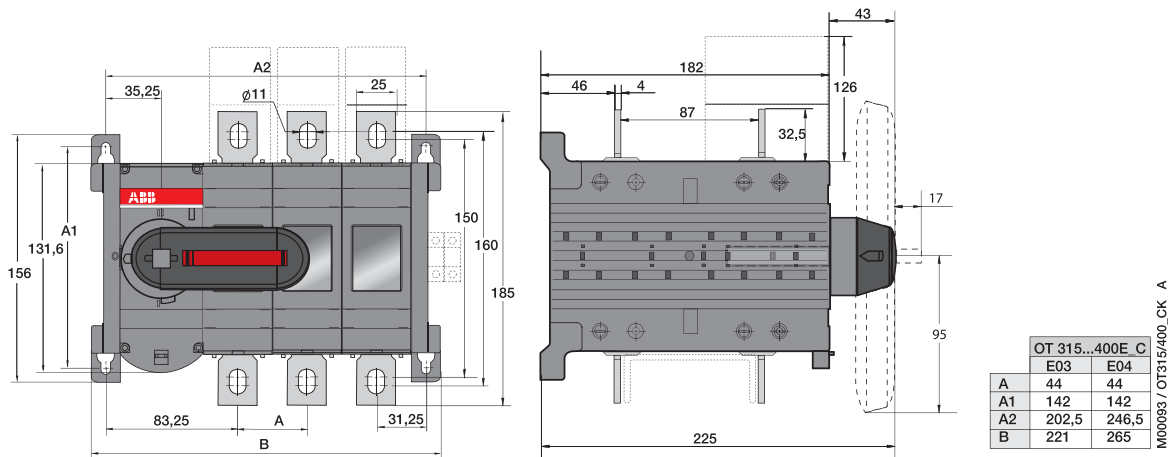


# Change-over switches Dimension drawings

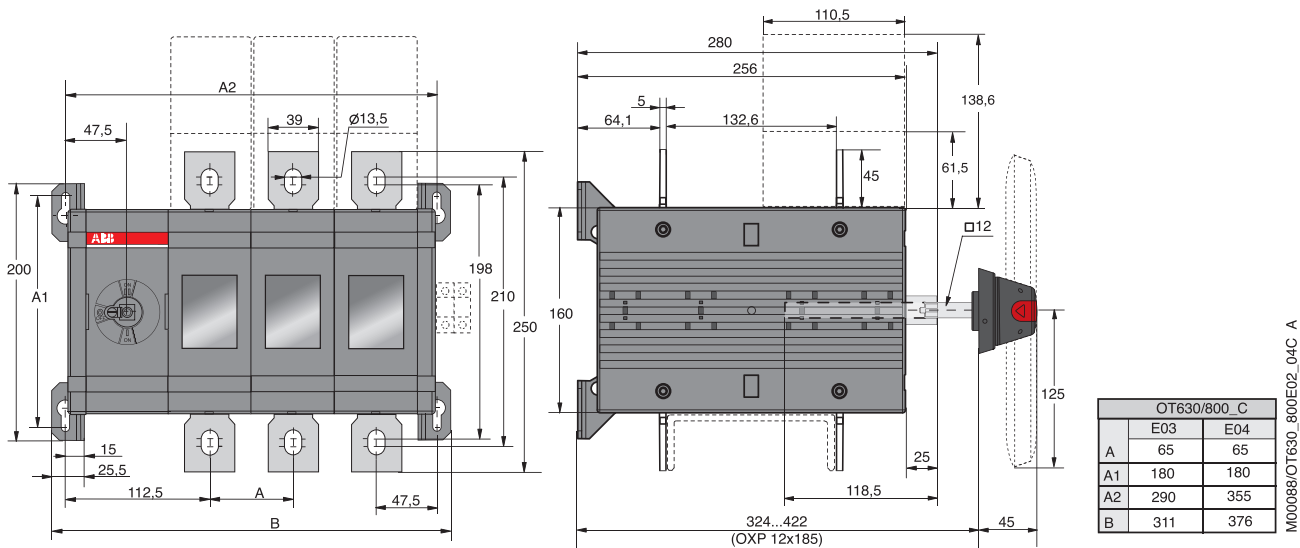
## OT315E12/13C\_P...OT400E12/13C\_P



## OT315E03/04\_...400E03/04\_ with direct mounted handle



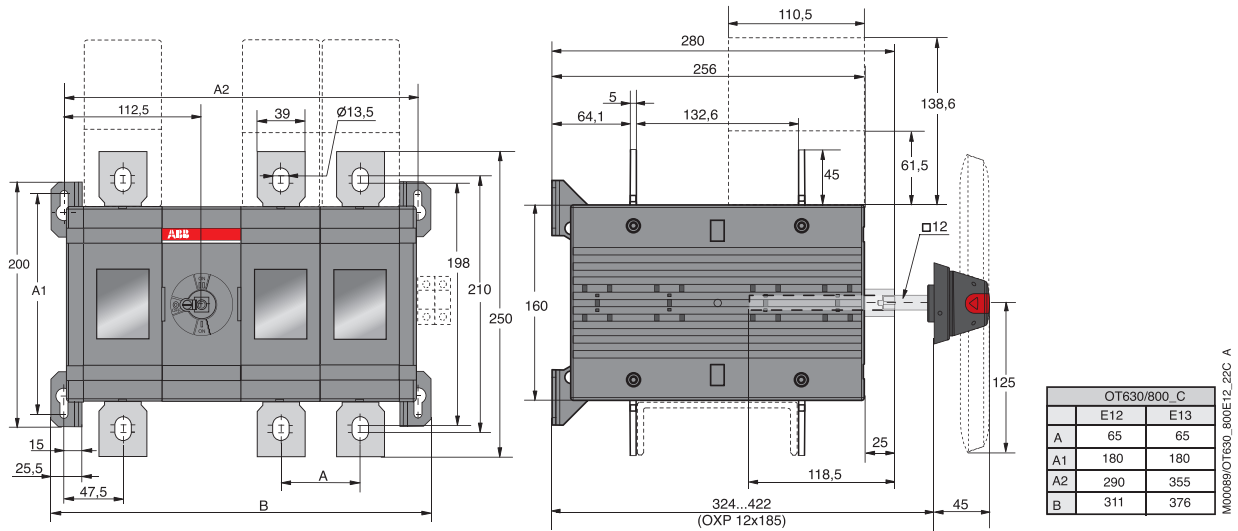
## OT630E03/04C\_P...800E03/04C\_P



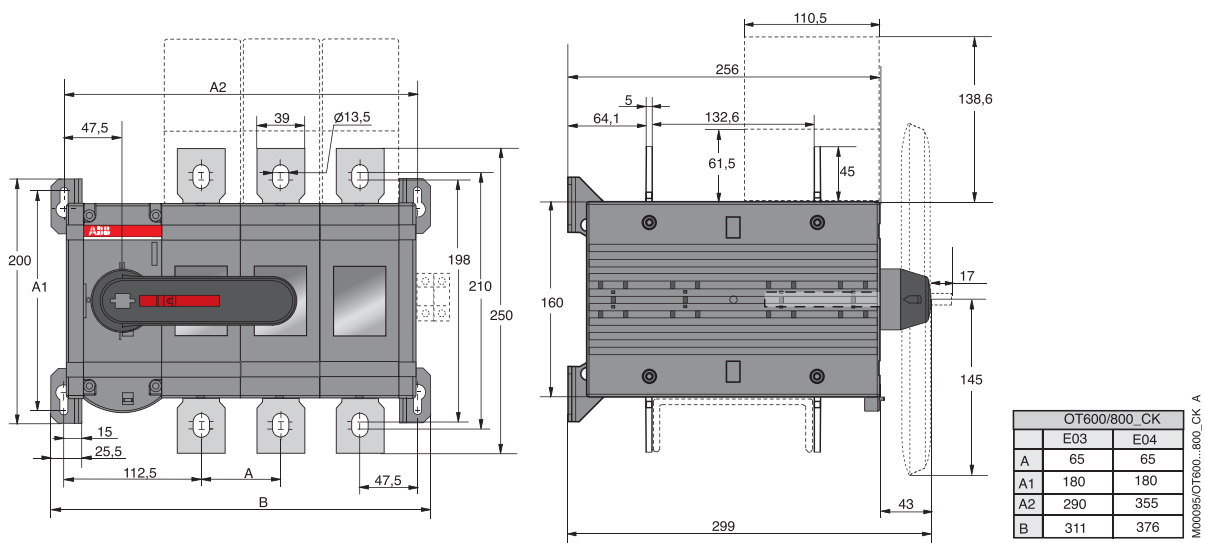


# Change-over switches Dimension drawings

## OT630E12/13C\_P...800E12/13C\_P



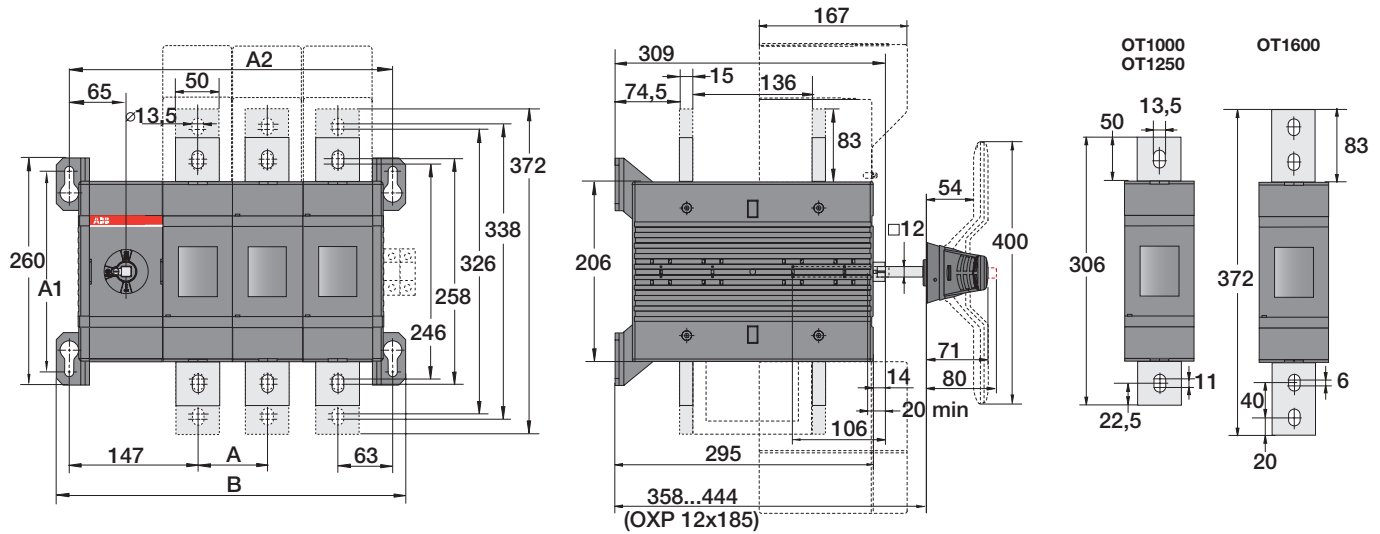
## OT630E03/04\_...800E03/04\_ with direct mounted handle





# Change-over switches Dimension drawings

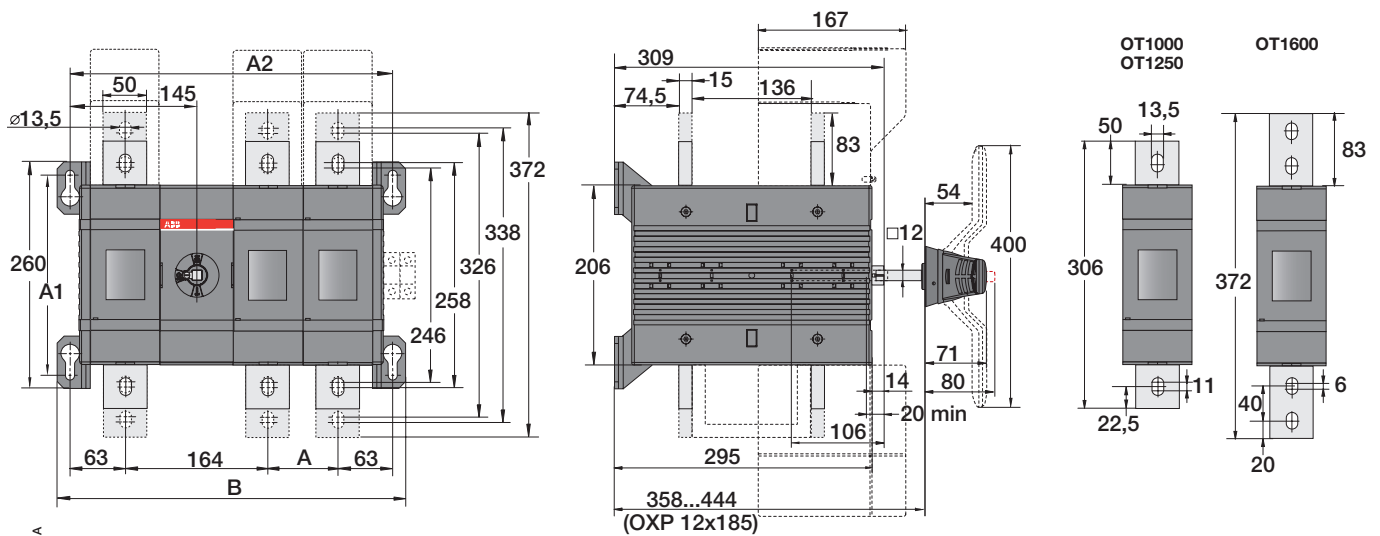
## OT1000...1600E03/04CP



M00155/OT1600E-C-1 A

| OT1000/1250/1600E_C |     |     |     |
|---------------------|-----|-----|-----|
|                     | E02 | E03 | E04 |
| A                   | 80  | 80  | 80  |
| A1                  | 230 | 230 | 230 |
| A2                  | 290 | 370 | 450 |
| B                   | 320 | 400 | 480 |

## OT1000...1600E12/E13/E22CP



M00176/OT1600E12-22C-1 A

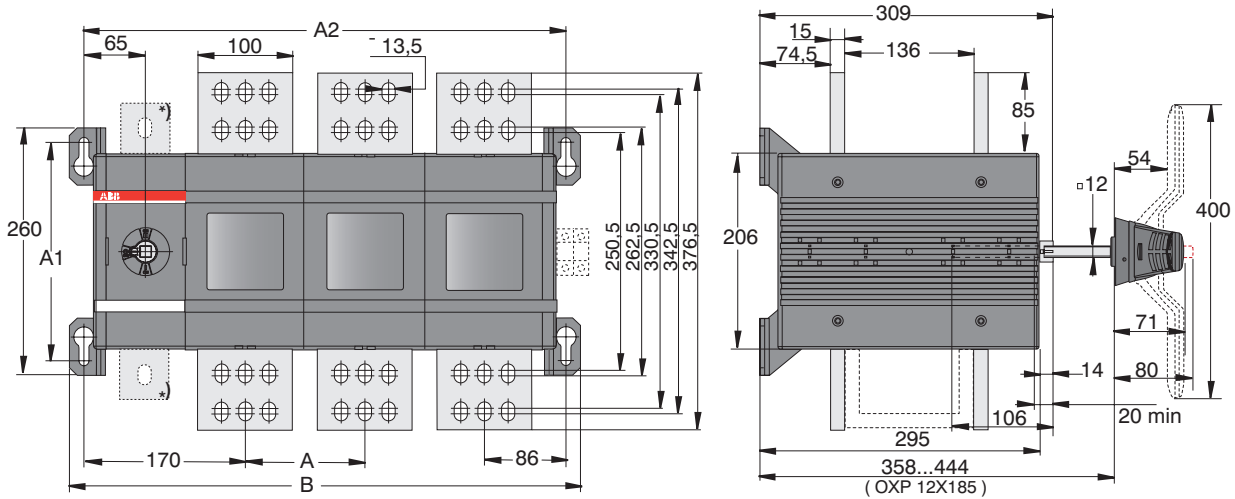
| OT1000/1250/1600E_C |     |     |     |
|---------------------|-----|-----|-----|
|                     | E12 | E13 | E22 |
| A                   | 80  | 80  | 80  |
| A1                  | 230 | 230 | 230 |
| A2                  | 370 | 450 | 450 |
| B                   | 400 | 480 | 480 |





# Change-over switches Dimension drawings

## OT2000...2500E03/04CP

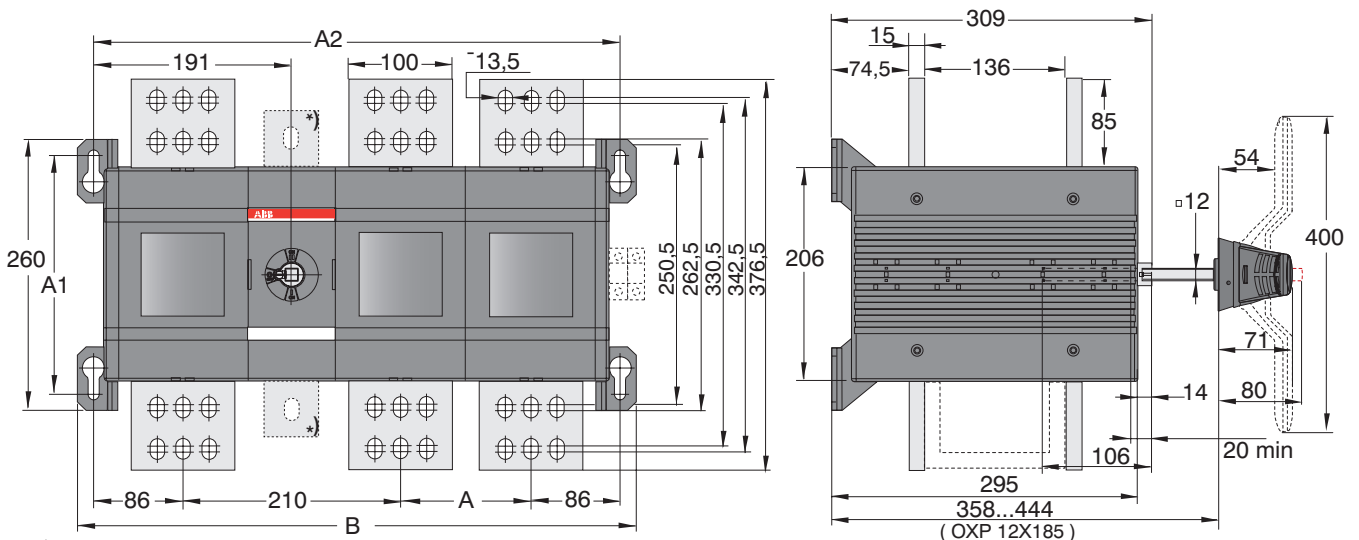


\*) N3 types

M00179/ OT2500E-C A

| OT 2500-C |     |     |     |
|-----------|-----|-----|-----|
|           | E02 | E03 | E04 |
| A         | 126 | 126 | 126 |
| A1        | 230 | 230 | 230 |
| A2        | 382 | 508 | 634 |
| B         | 412 | 538 | 664 |

## OT2000...2500E12/E13/E22CP



\*) N3 types

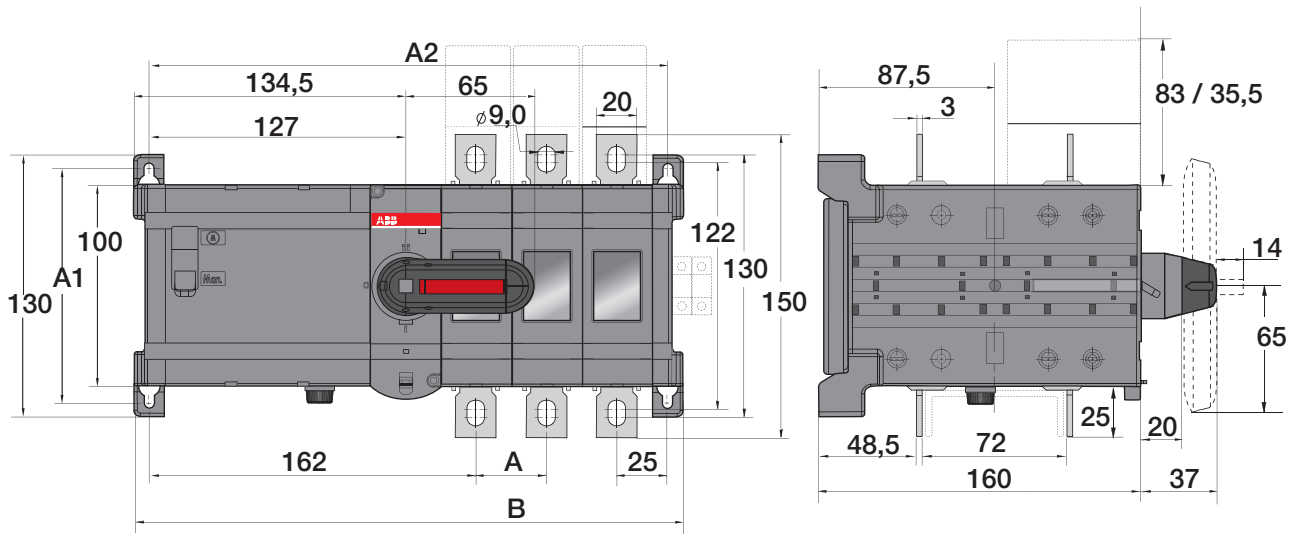
M00178/ OT2500E12-C A

| OT2000...2500E C |     |     |     |
|------------------|-----|-----|-----|
|                  | E12 | E13 | E22 |
| A                | 126 | 126 | 126 |
| A1               | 230 | 230 | 230 |
| A2               | 508 | 634 | 634 |
| B                | 538 | 664 | 664 |



# Change-over switches Dimension drawings

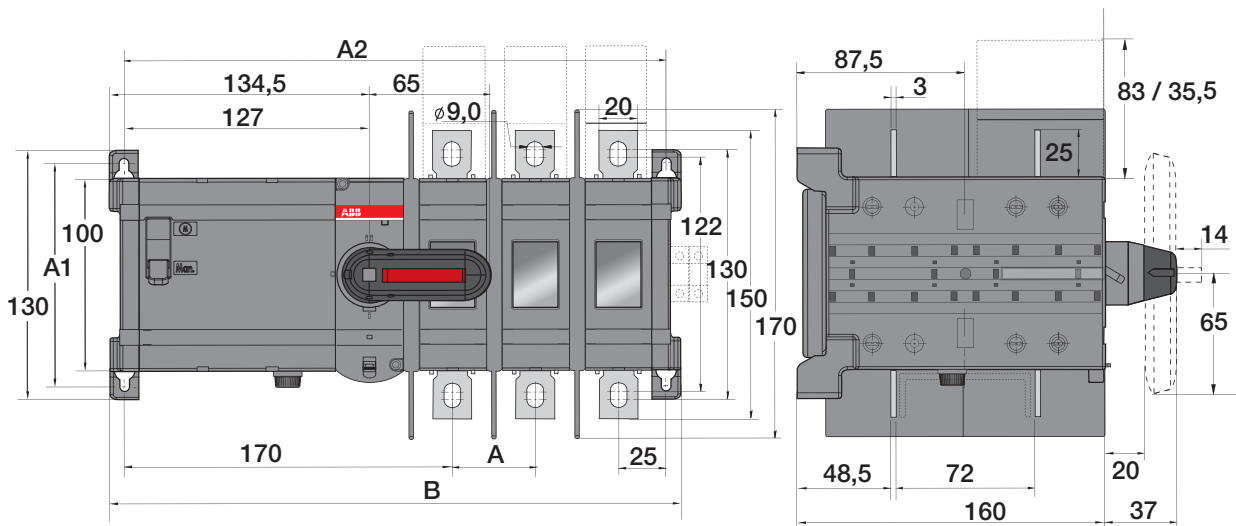
## OTM160...250E3/4CM



M00111 / OTM160-250E3-4CM A

| OTM 160...250E-C-M |     |     |
|--------------------|-----|-----|
|                    | E3  | E4  |
| A                  | 35  | 35  |
| A1                 | 116 | 116 |
| A2                 | 257 | 292 |
| B                  | 272 | 307 |

## OTM160...250E3/4WCM



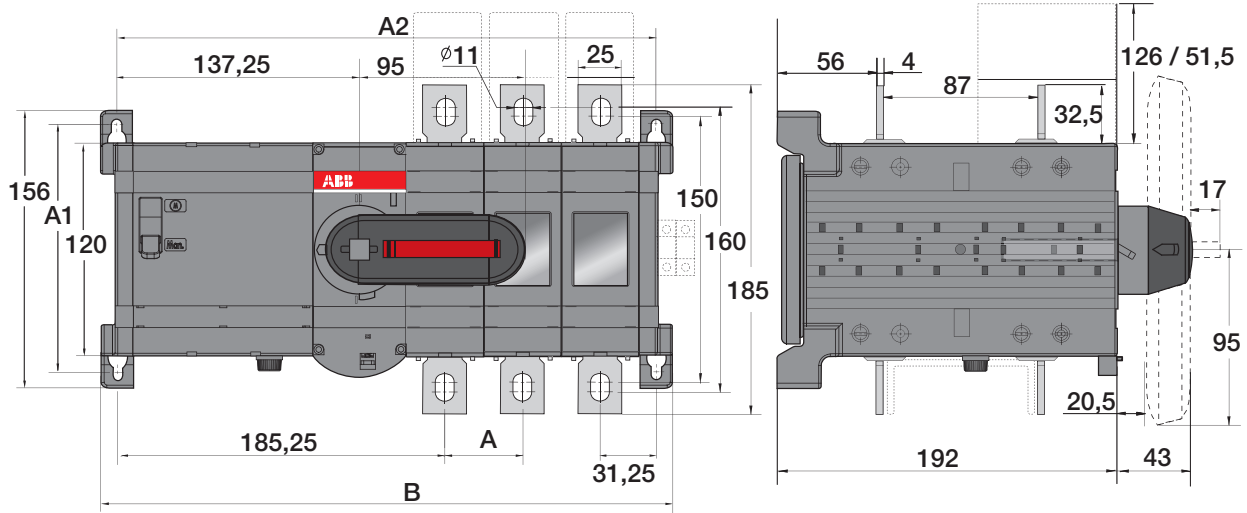
M00115 / OTM160-250E3-4WCM A

| OTM 160-250_WCM |     |     |
|-----------------|-----|-----|
|                 | E3  | E4  |
| A               | 43  | 43  |
| A1              | 116 | 116 |
| A2              | 281 | 324 |
| B               | 296 | 339 |



# Change-over switches Dimension drawings

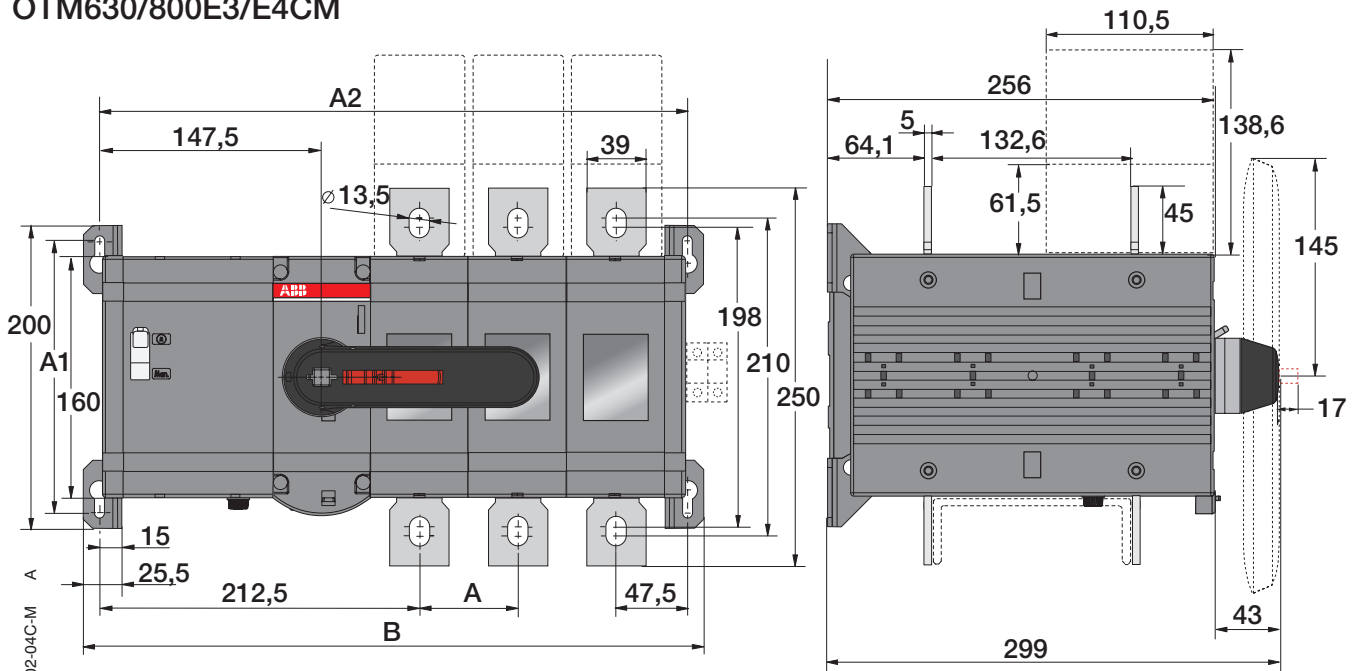
## OTM315...400E3/4CM



M00113 / OTM315-400E3-4CM A

| OTM 315...400E C M |       |       |
|--------------------|-------|-------|
|                    | E3    | E4    |
| A                  | 44    | 44    |
| A1                 | 142   | 142   |
| A2                 | 304,5 | 348,5 |
| B                  | 323   | 367   |

## OTM630/800E3/E4CM



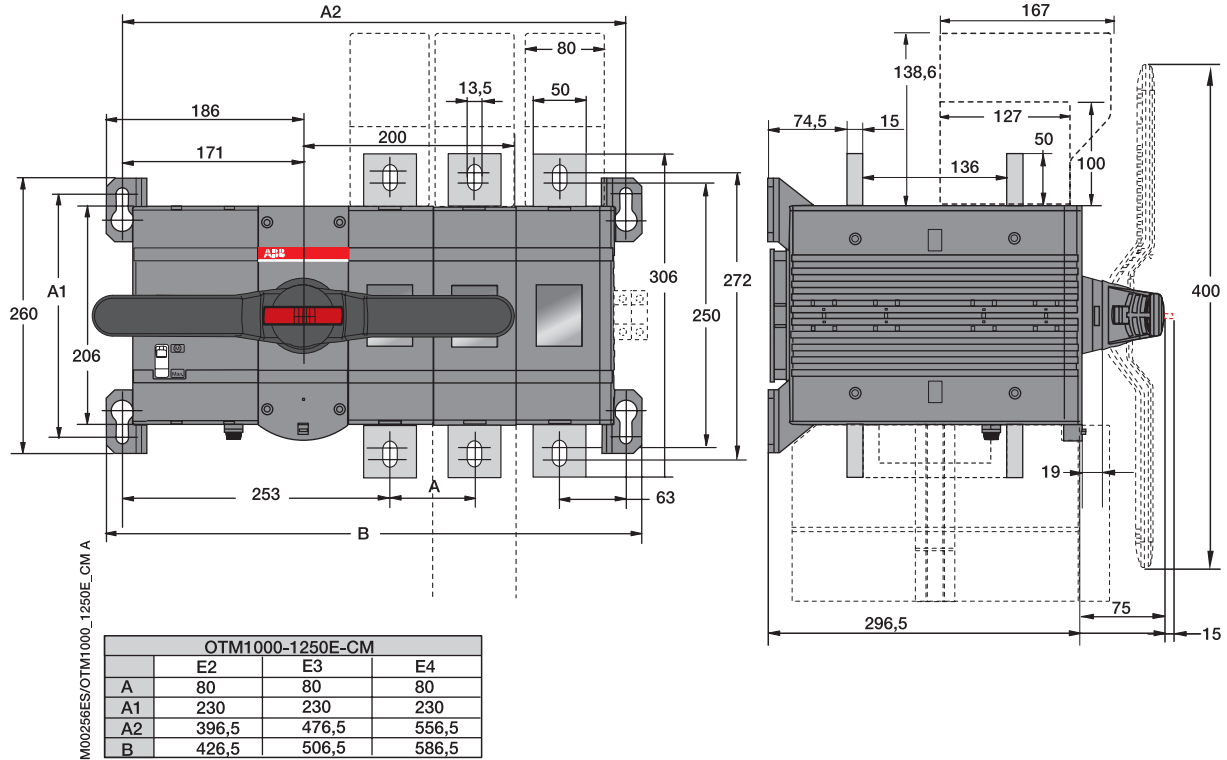
M00140/OTM630-800E02-04C-M

| OTM630-800E-C-M |     |     |     |
|-----------------|-----|-----|-----|
|                 | E02 | E03 | E04 |
| A               | 65  | 65  | 65  |
| A1              | 180 | 180 | 180 |
| A2              | 325 | 390 | 455 |
| B               | 346 | 411 | 476 |

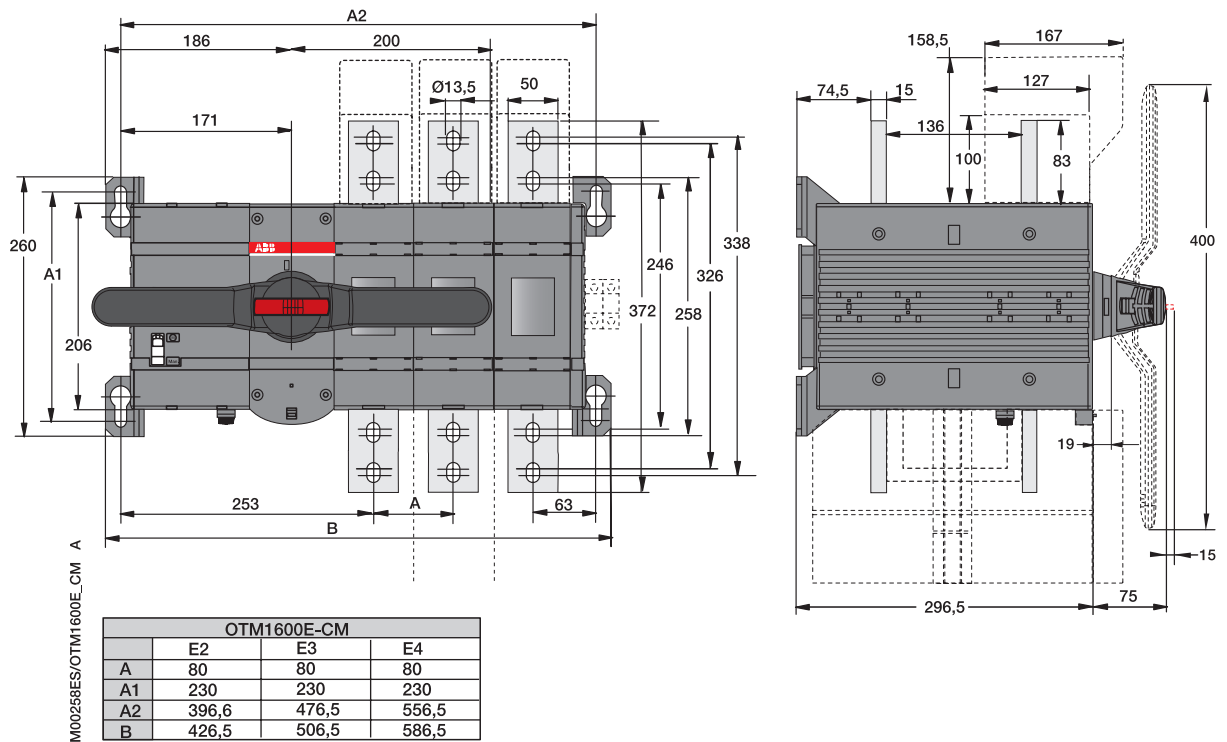


# Change-over switches Dimension drawings

## OTM1000...1250E3/4CM



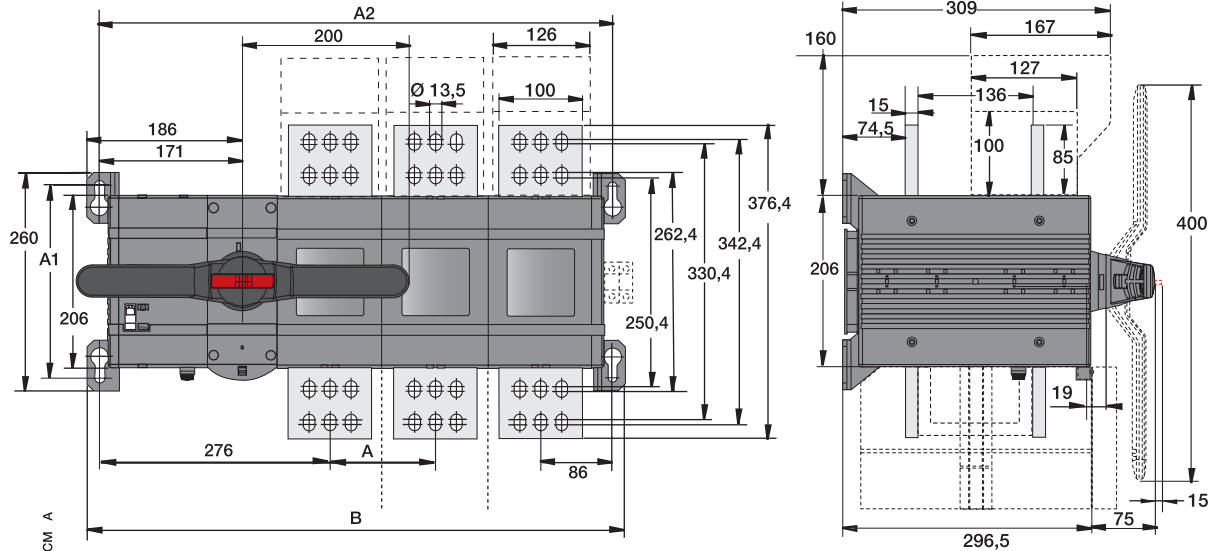
## OTM1600E3/4CM





# Change-over switches Dimension drawings

OTM2000...2500E3/4CM



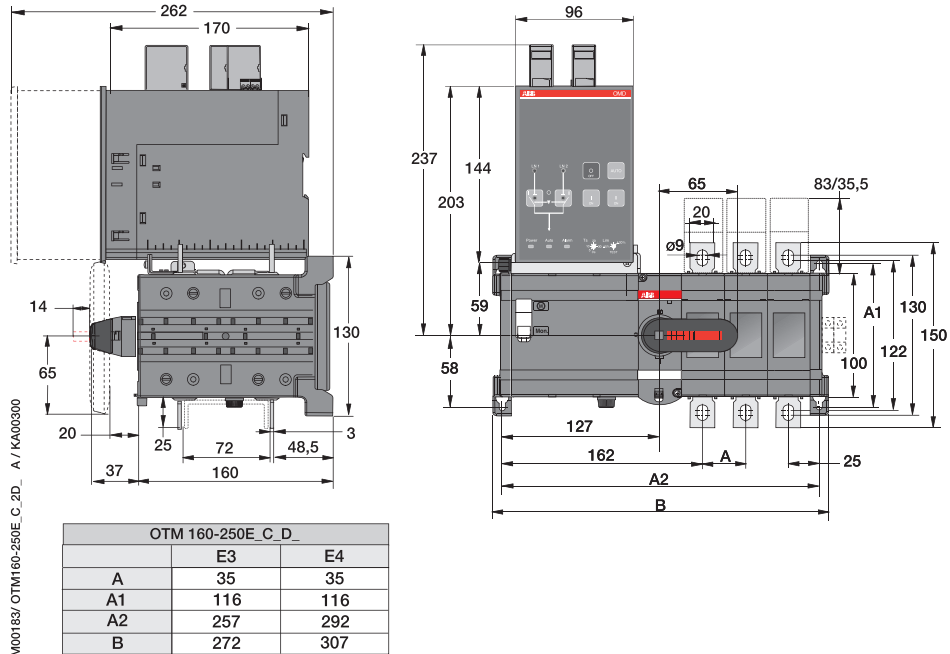
M00259ES/OTM2000\_2500E\_CM\_A

| OTM2000-2500E-CM |       |       |       |
|------------------|-------|-------|-------|
|                  | E2    | E3    | E4    |
| A                | 126   | 126   | 126   |
| A1               | 230   | 230   | 230   |
| A2               | 488,5 | 614,5 | 740,5 |
| B                | 518,5 | 644,5 | 770,5 |

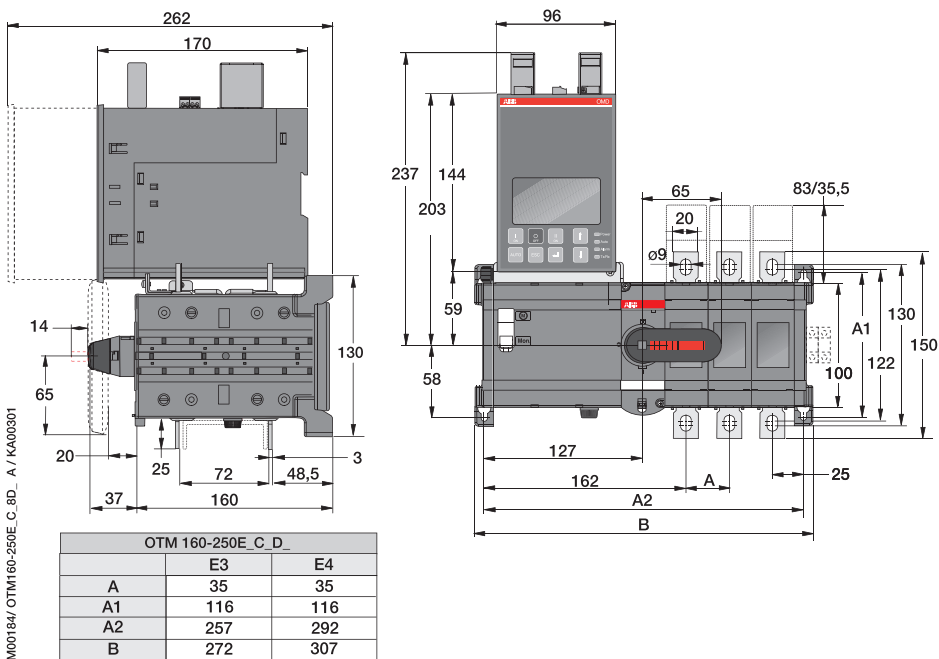


# Automatic transfer switches Dimension drawings

## OTM160-250E\_C\_2D\_, OTM160-250E\_C\_3D\_



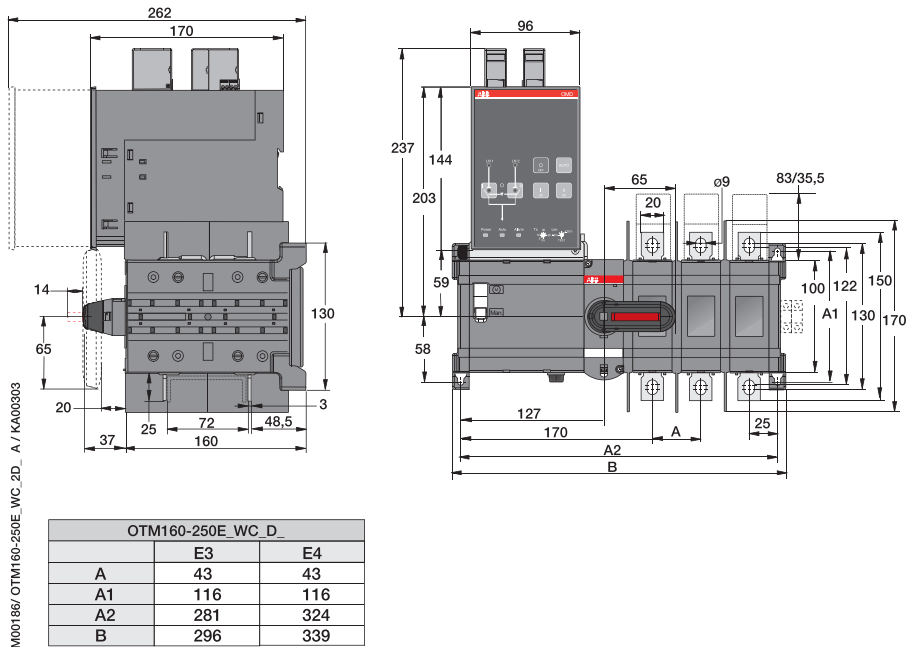
## OTM160-250E\_C\_8D\_



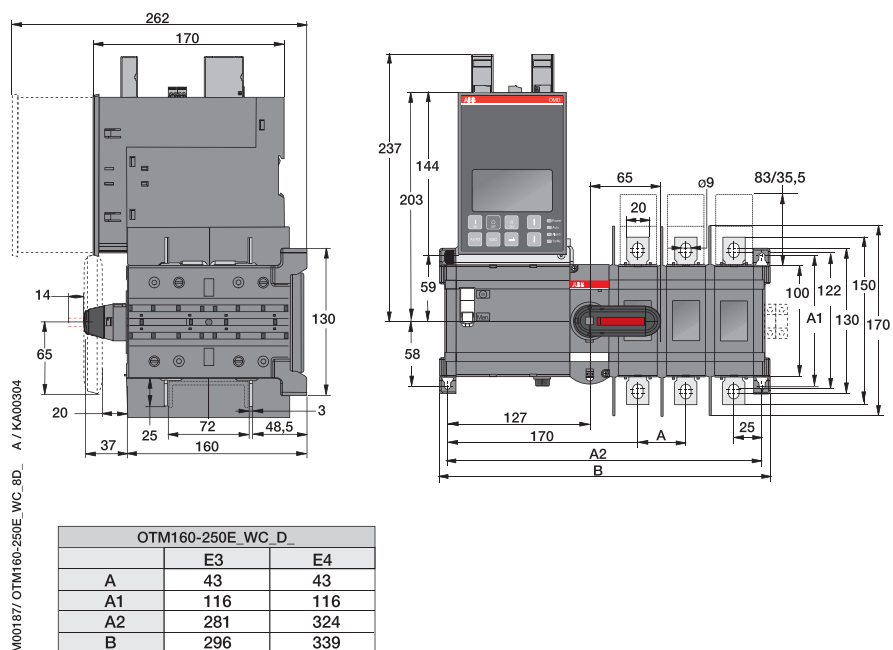


# Automatic transfer switches Dimension drawings

## OTM160-250E\_CW\_2D\_, OTM160-250E\_CW\_3D\_



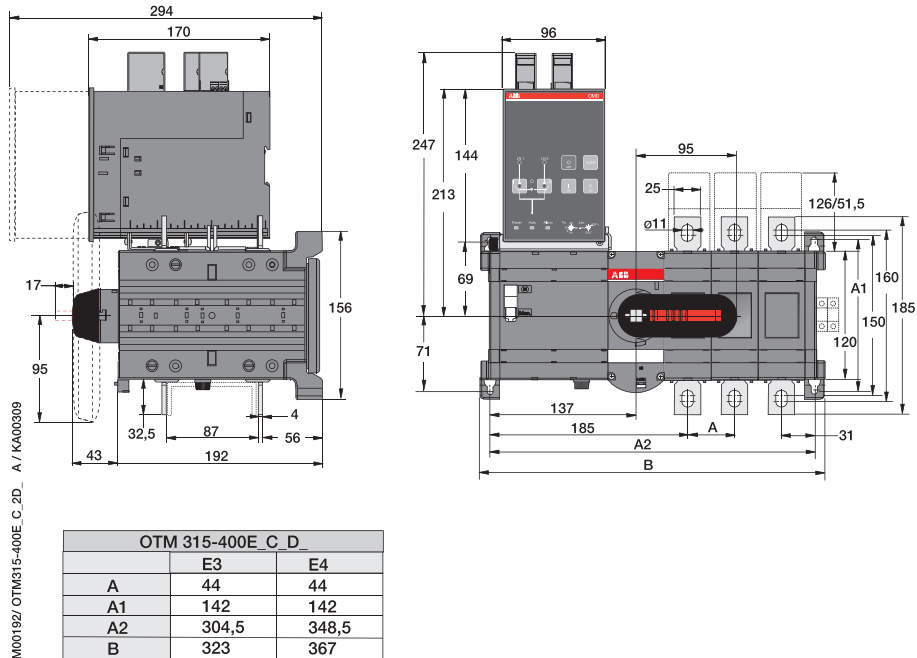
## OTM160-250E\_CW\_8D\_



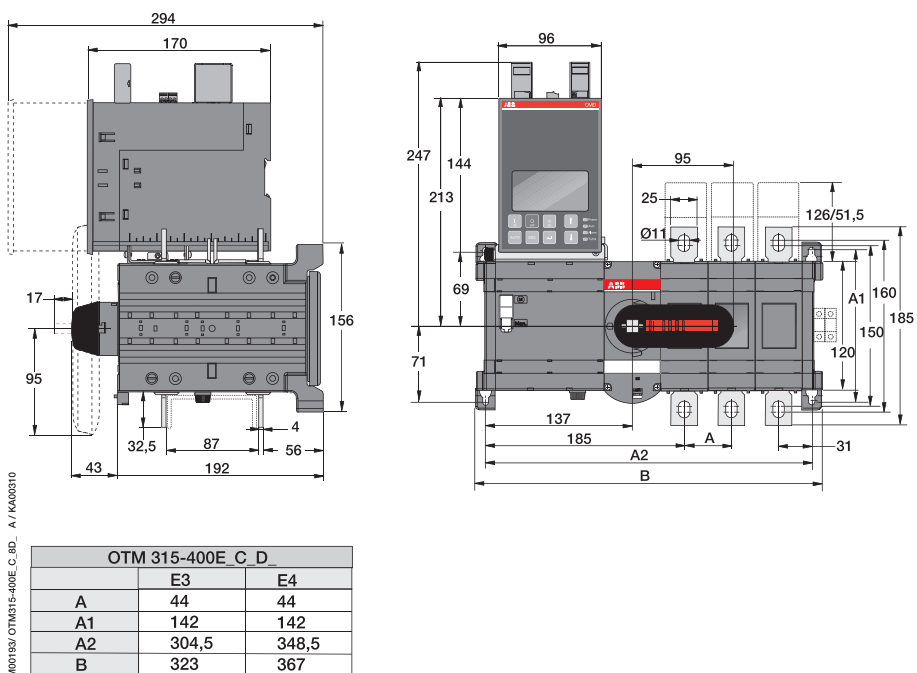


# Automatic transfer switches Dimension drawings

## OTM315-400E\_C\_2D\_, OTM315-400E\_C\_3D



## OTM315-400E\_C\_8D\_

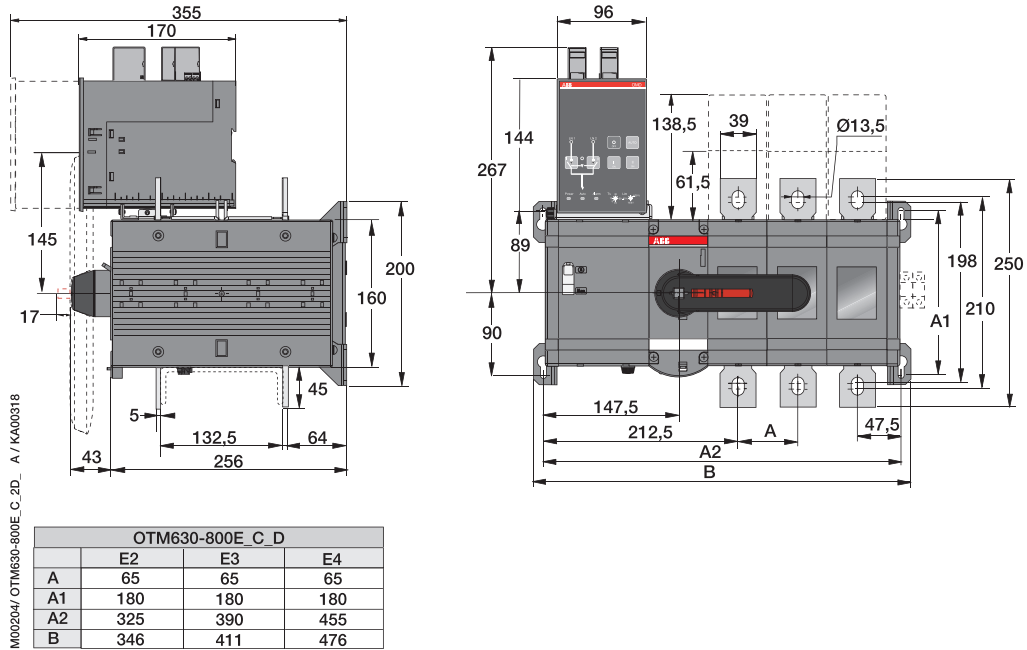




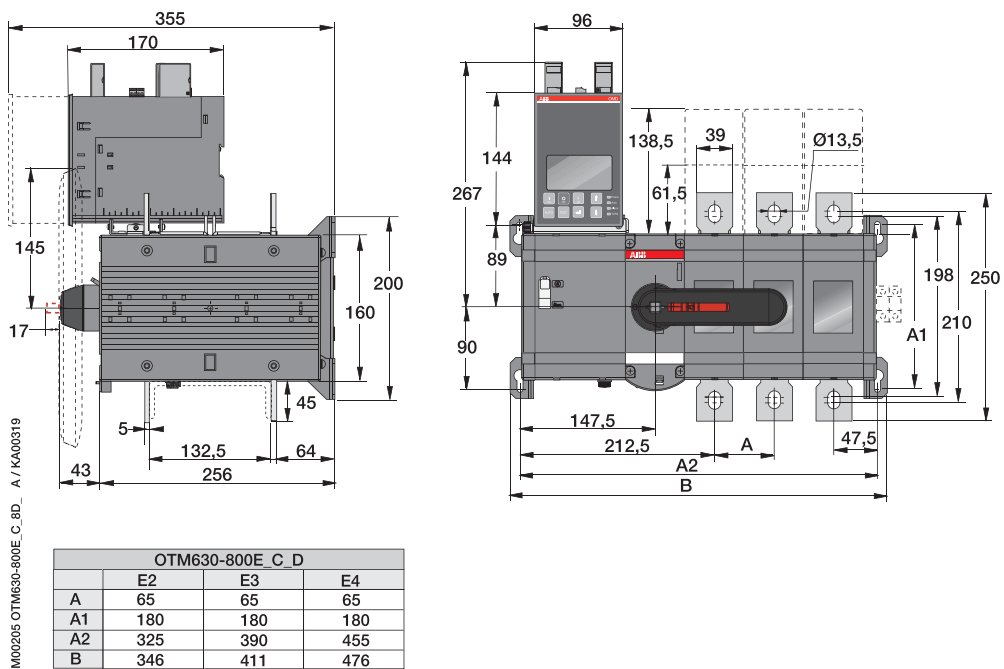


# Automatic transfer switches Dimension drawings

## OTM630-800E\_C\_2D\_, OTM630-800E\_C\_3D\_



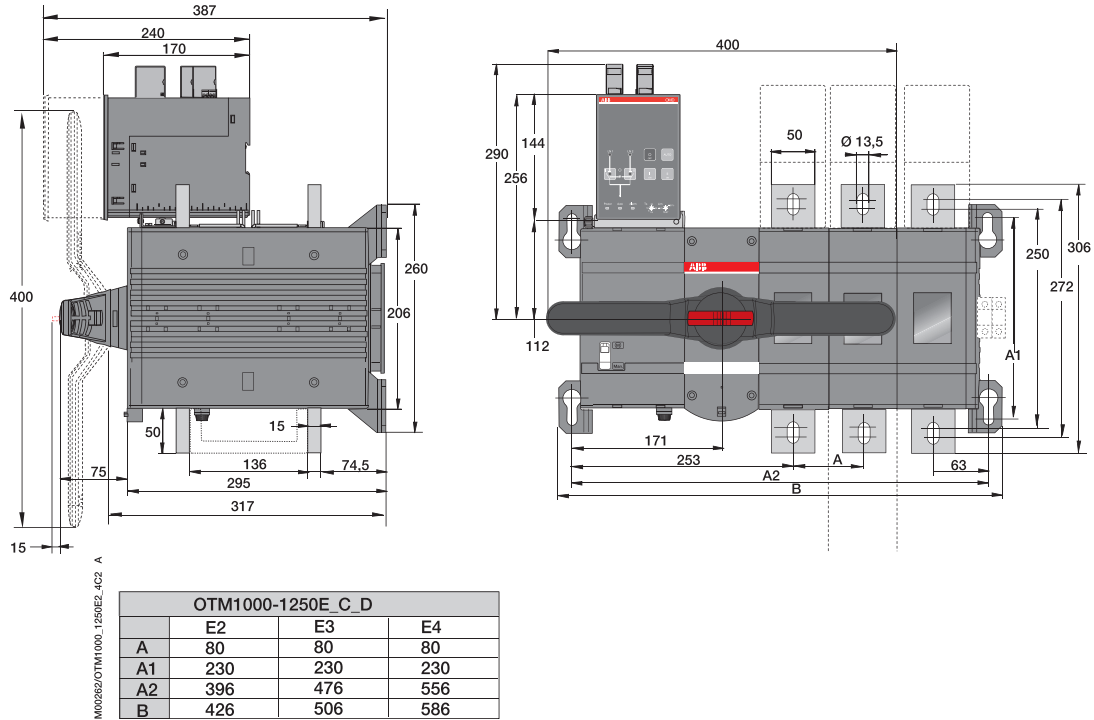
## OTM630-800E\_C\_8D\_



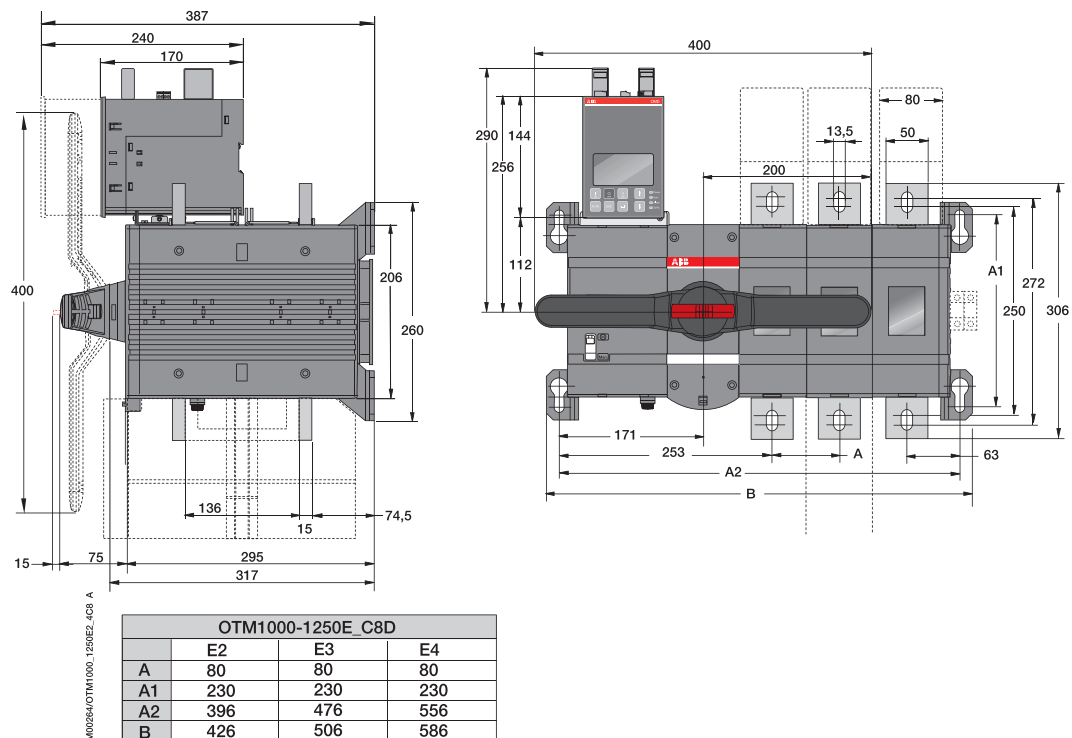


# Automatic transfer switches Dimension drawings

## OTM1000-1250E\_C2D\_, OTM1000-1250E\_C3D\_



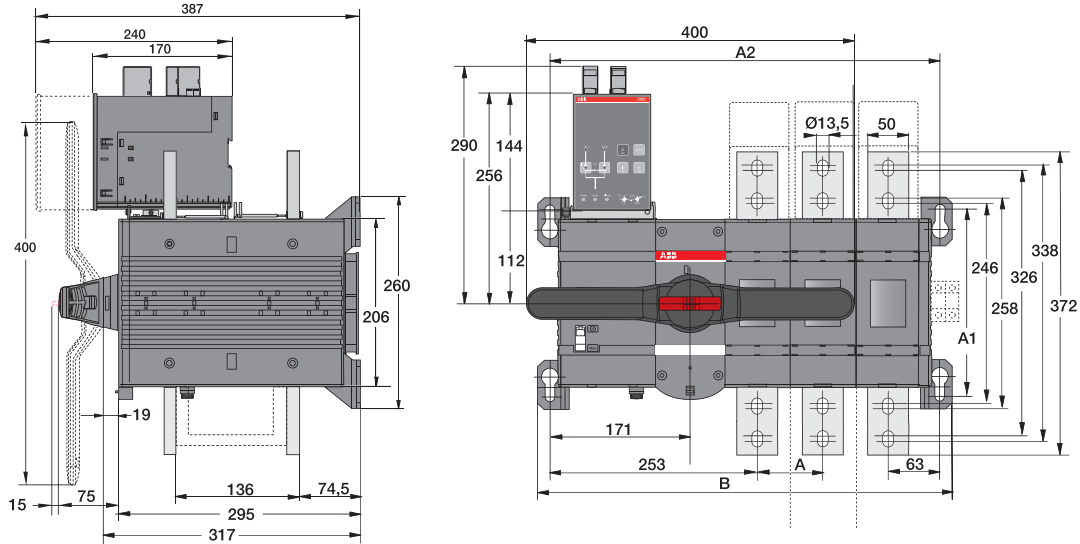
## OTM1000-1250E\_C\_8D





# Automatic transfer switches Dimension drawings

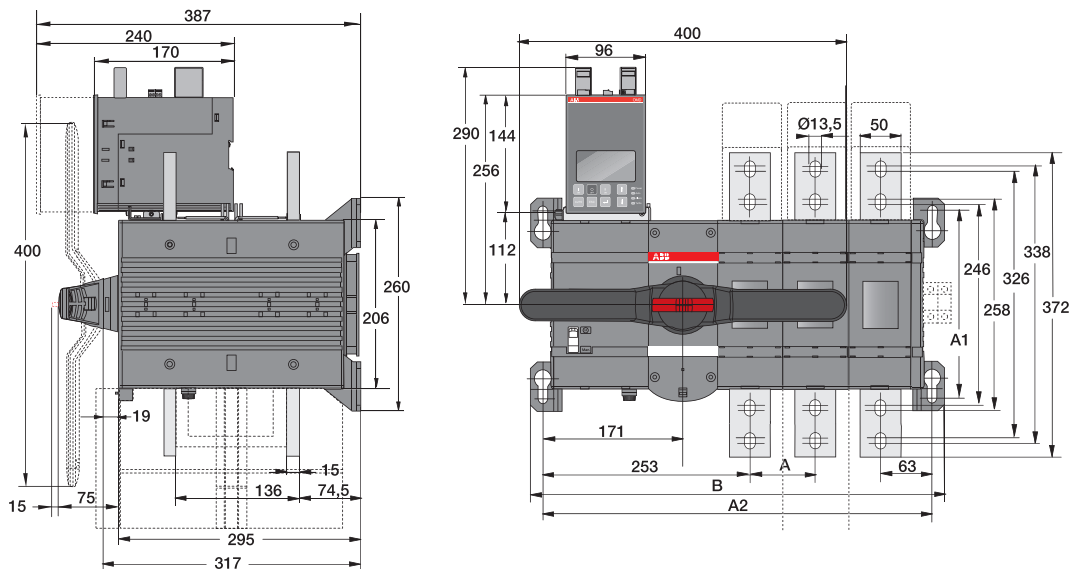
## OTM1600E\_C2D\_, OTM1600E\_C3D\_



M00268/OTM1600E2\_4C2\_A

| OTM1600E_C_D |     |     |     |
|--------------|-----|-----|-----|
|              | E2  | E3  | E4  |
| A            | 80  | 80  | 80  |
| A1           | 230 | 230 | 230 |
| A2           | 396 | 476 | 556 |
| B            | 426 | 506 | 586 |

## OTM1600E\_C8D\_



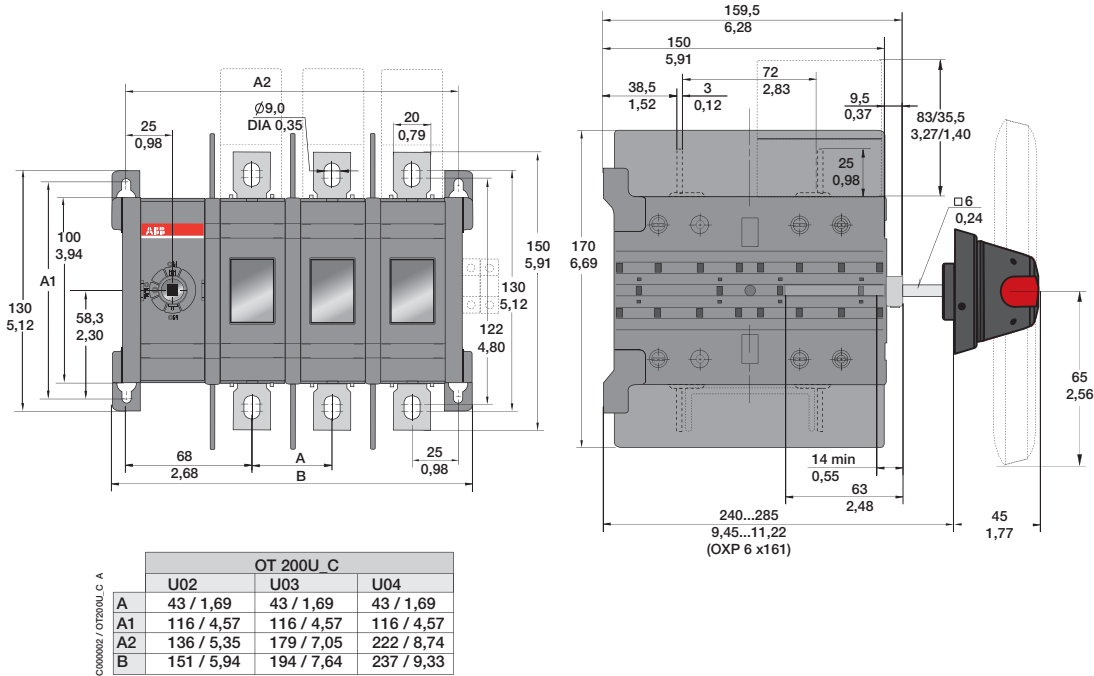
M00268/OTM1600E2\_4C3\_A

| OTM1600E_C8D |     |     |     |
|--------------|-----|-----|-----|
|              | E2  | E3  | E4  |
| A            | 80  | 80  | 80  |
| A1           | 230 | 230 | 230 |
| A2           | 396 | 476 | 556 |
| B            | 426 | 506 | 586 |

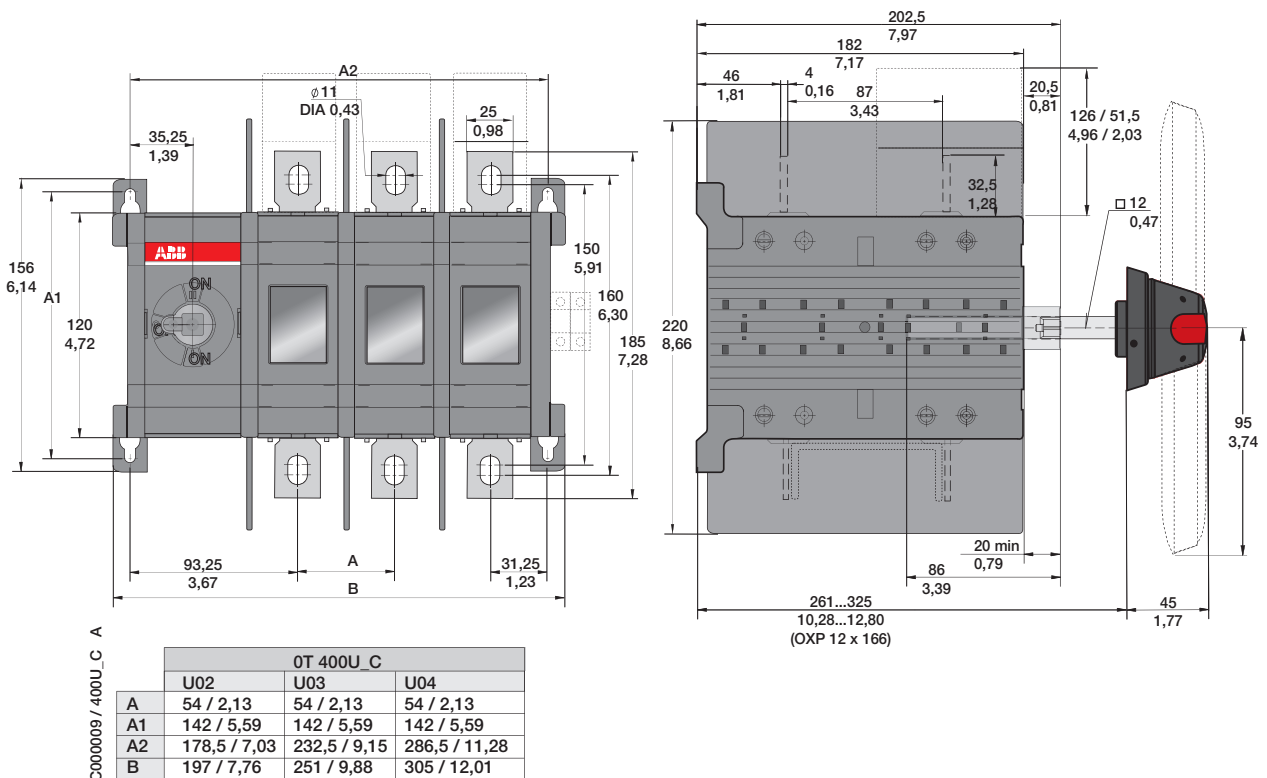


# Change-over switches Dimension drawings

## OT200U03/04CP



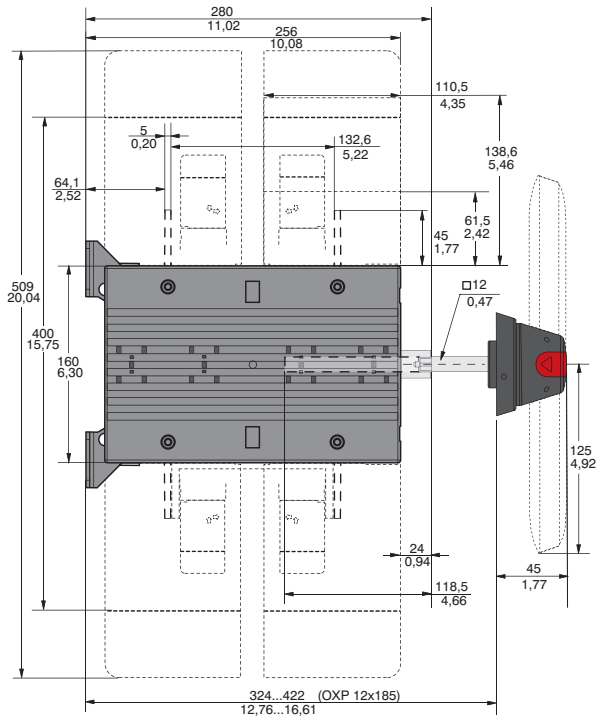
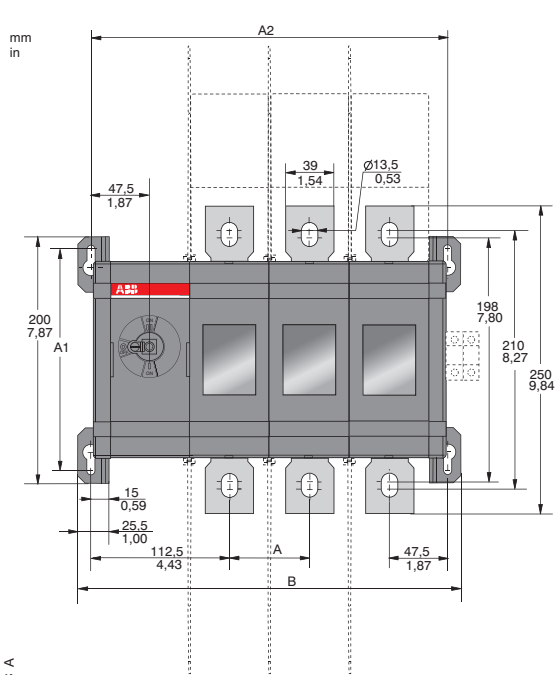
## OT400U03/04CP





# Change-over switches Dimension drawings

## OT600U03/04CP



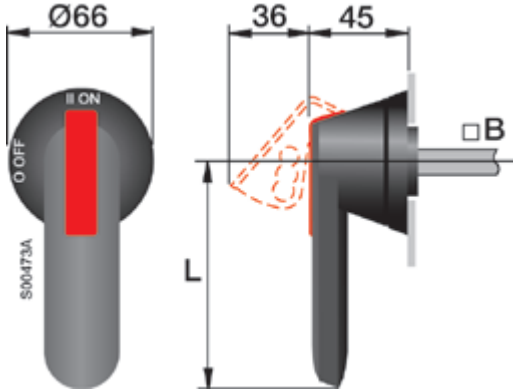
M000087/OT600U02\_04C\_A

| OT600U02-04C |          |           |           |
|--------------|----------|-----------|-----------|
|              | U02      | U03       | U04       |
| A            | 65/2,56  | 65/2,56   | 65/2,56   |
| A1           | 180/7,09 | 180/7,09  | 180/7,09  |
| A2           | 225/8,86 | 290/11,42 | 355/13,98 |
| B            | 246/9,69 | 311/12,24 | 376/14,80 |

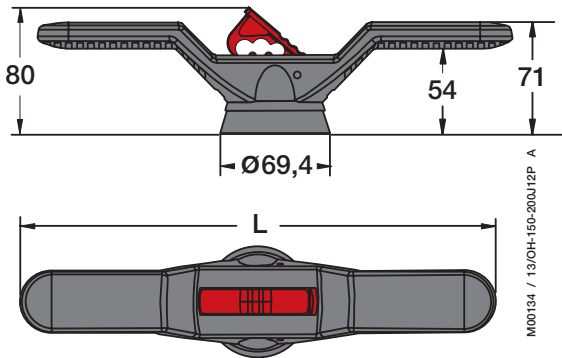


# Handles Dimension drawings

## Plastic handles

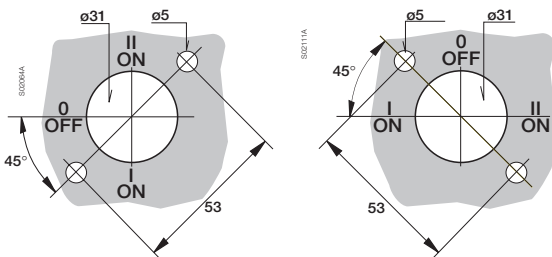


| Handle type | Handle length | Shaft (mm)<br>B |
|-------------|---------------|-----------------|
|             | (mm)<br>L     |                 |
| OH_45J6E_   | 45            | 6               |
| OH_65J6E_   | 65            | 6               |
| OH_95J12E_  | 95            | 12              |
| OH_125J12E_ | 125           | 12              |
| OH_145J12E_ | 145           | 12              |
| OH_175J12E_ | 175           | 12              |
| OH_200J12E_ | 200           | 12              |
| OH_275J12E_ | 275           | 12              |

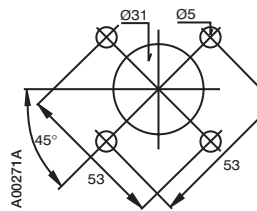


| Handle type  | L   |
|--------------|-----|
| OHB200J12PE_ | 400 |

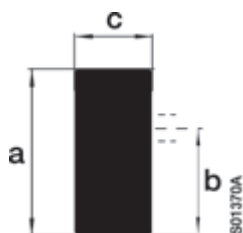
Door drilling for OH\_ handles:



OHB200J12P



## Handle knobs



|                | a    | b    | c  |
|----------------|------|------|----|
| OHBS2, OHRS2   | 40   | 25   | 13 |
| OHBS3, OHRS3   | 39   | 23   | 18 |
| OHBS9, OHRS9   | 72   | 55   | 16 |
| OHBS11, OHRS11 | 57,5 | 34,5 | 20 |
| OHBS12, OHRS12 | 37   | 22,5 | 19 |



# Index

| Type           | Order Number    | Page | Description               | Type         | Order Number    | Page | Description               |
|----------------|-----------------|------|---------------------------|--------------|-----------------|------|---------------------------|
| OA1G01         | 1SCA022353R4890 | 26   | Auxiliary contact         | OT1000E22CP  | 1SCA103289R1001 | 15   | Manual change-over switch |
| OA1G10         | 1SCA022353R4970 | 26   | Auxiliary contact         | OT100F3C     | 1SCA105008R1001 | 15   | Manual change-over switch |
| OA2G11         | 1SCA022379R8100 | 26   | Auxiliary contact         | OT100F4C     | 1SCA105019R1001 | 15   | Manual change-over switch |
| OA7G10         | 1SCA022673R1140 | 26   | Auxiliary contact         | OT1250E03CLP | 1SCA117222R1001 | 21   | Manual change-over switch |
| OA8G01         | 1SCA022744R2240 | 26   | Auxiliary contact         | OT1250E03CP  | 1SCA022872R0790 | 16   | Manual change-over switch |
| OESAZW1        | 1SCA022064R3710 | 30   | Change-over kit           | OT1250E04CLP | 1SCA117225R1001 | 21   | Manual change-over switch |
| OETLZW11       | 1SCA022078R0030 | 30   | Change-over kit           | OT1250E04CP  | 1SCA022872R1250 | 16   | Manual change-over switch |
| OETLZW13       | 1SCA022078R0460 | 30   | Change-over kit           | OT1250E12CLP | 1SCA117610R1001 | 21   | Manual change-over switch |
| OETLZW16       | 1SCA022093R2070 | 32   | Interlocking device       | OT1250E12CP  | 1SCA103308R1001 | 16   | Manual change-over switch |
| OETLZW16       | 1SCA022093R2070 | 32   | Interlocking device       | OT1250E13CLP | 1SCA117678R1001 | 21   | Manual change-over switch |
| OETLZW5        | 1SCA022052R3900 | 32   | Interlocking device       | OT1250E13CP  | 1SCA103313R1001 | 16   | Manual change-over switch |
| OHB125J12E011  | 1SCA022589R3340 | 23   | External handle           | OT1250E22CP  | 1SCA103311R1001 | 16   | Manual change-over switch |
| OHB125J12E311  | 1SCA022615R1730 | 23   | External handle           | OT125F3C     | 1SCA105037R1001 | 15   | Manual change-over switch |
| OHB145J12E65   | 1SCA112063R1001 | 24   | Pistol handle             | OT125F4C     | 1SCA105054R1001 | 15   | Manual change-over switch |
| OHB145J12E69   | 1SCA112066R1001 | 24   | Pistol handle             | OT1600E03CLP | 1SCA117223R1001 | 21   | Manual change-over switch |
| OHB200J12PE011 | 1SCA022873R4230 | 23   | External handle           | OT1600E03CP  | 1SCA022872R1840 | 16   | Manual change-over switch |
| OHB200J12PE311 | 1SCA104685R1001 | 23   | External handle           | OT1600E04CLP | 1SCA117226R1001 | 21   | Manual change-over switch |
| OHB200J12PE65  | 1SCA112078R1001 | 24   | Pistol handle             | OT1600E04CP  | 1SCA022872R2310 | 16   | Manual change-over switch |
| OHB45J6E011    | 1SCA022594R7110 | 23   | External handle           | OT1600E12CLP | 1SCA117611R1001 | 21   | Manual change-over switch |
| OHB45J6E311    | 1SCA022817R2130 | 23   | External handle           | OT1600E12CP  | 1SCA103293R1001 | 16   | Manual change-over switch |
| OHB65J6E011    | 1SCA022383R2480 | 23   | External handle           | OT1600E13CLP | 1SCA117615R1001 | 21   | Manual change-over switch |
| OHB65J6E311    | 1SCA022662R4730 | 23   | External handle           | OT1600E13CP  | 1SCA103306R1001 | 16   | Manual change-over switch |
| OHB65J6E65     | 1SCA112050R1001 | 24   | Pistol handle             | OT1600E22CP  | 1SCA103303R1001 | 16   | Manual change-over switch |
| OHB65J6E69     | 1SCA112052R1001 | 24   | Pistol handle             | OT160E03CFP  | 1SCA106086R1001 | 16   | Manual change-over switch |
| OHB95J12E011   | 1SCA022621R0760 | 23   | External handle           | OT160E03CLP  | 1SCA108468R1001 | 21   | Manual change-over switch |
| OHB95J12E311   | 1SCA022779R2140 | 23   | External handle           | OT160E03CP   | 1SCA022772R6510 | 15   | Manual change-over switch |
| OHB95J12E65    | 1SCA112056R1001 | 24   | Pistol handle             | OT160E03WCFP | 1SCA108484R1001 | 16   | Manual change-over switch |
| OHB95J12E69    | 1SCA112058R1001 | 24   | Pistol handle             | OT160E03WCLP | 1SCA108486R1001 | 21   | Manual change-over switch |
| OHBS11         | 1SCA109092R1001 | 23   | Handle knob               | OT160E03WCP  | 1SCA022772R8210 | 15   | Manual change-over switch |
| OHBS11/1       | 1SCA109093R1001 | 23   | Handle knob               | OT160E04CFP  | 1SCA108489R1001 | 16   | Manual change-over switch |
| OHBS12         | 1SCA108252R1001 | 23   | Handle knob               | OT160E04CLP  | 1SCA108491R1001 | 21   | Manual change-over switch |
| OHBS12/1       | 1SCA109094R1001 | 23   | Handle knob               | OT160E04CP   | 1SCA022775R9440 | 15   | Manual change-over switch |
| OHBS2          | 1SCA109089R1001 | 23   | Handle knob               | OT160E04WCFP | 1SCA108492R1001 | 16   | Manual change-over switch |
| OHBS2/1        | 1SCA109090R1001 | 23   | Handle knob               | OT160E04WCLP | 1SCA108494R1001 | 21   | Manual change-over switch |
| OHBS2AJE011    | 1SCA105220R1001 | 23   | External handle           | OT160E04WCP  | 1SCA022775R0220 | 15   | Manual change-over switch |
| OHBS3          | 1SCA108320R1001 | 23   | Handle knob               | OT160E12CFP  | 1SCA108496R1001 | 16   | Manual change-over switch |
| OHBS3/1        | 1SCA108319R1001 | 23   | Handle knob               | OT160E12CLP  | 1SCA108498R1001 | 21   | Manual change-over switch |
| OHBS9          | 1SCA108665R1001 | 23   | Handle knob               | OT160E12CP   | 1SCA022776R9080 | 15   | Manual change-over switch |
| OHBS9/1        | 1SCA108689R1001 | 23   | Handle knob               | OT160E13CFP  | 1SCA108502R1001 | 16   | Manual change-over switch |
| OHRS12         | 1SCA108253R1001 | 23   | Handle knob               | OT160E13CLP  | 1SCA108504R1001 | 21   | Manual change-over switch |
| OHRS12/1       | 1SCA109097R1001 | 23   | Handle knob               | OT160E13CP   | 1SCA022777R0170 | 15   | Manual change-over switch |
| OHRS2          | 1SCA108598R1001 | 23   | Handle knob               | OT16F3C      | 1SCA104816R1001 | 15   | Manual change-over switch |
| OHRS2/1        | 1SCA108599R1001 | 23   | Handle knob               | OT16F4C      | 1SCA104831R1001 | 15   | Manual change-over switch |
| OHRS3          | 1SCA108667R1001 | 23   | Handle knob               | OT2000E03CLP | 1SCA117250R1001 | 21   | Manual change-over switch |
| OHRS3/1        | 1SCA108688R1001 | 23   | Handle knob               | OT2000E03CP  | 1SCA103908R1001 | 16   | Manual change-over switch |
| OHRS9          | 1SCA108666R1001 | 23   | Handle knob               | OT2000E04CLP | 1SCA117251R1001 | 21   | Manual change-over switch |
| OHRS9/1        | 1SCA108690R1001 | 23   | Handle knob               | OT2000E04CP  | 1SCA103912R1001 | 16   | Manual change-over switch |
| OHY125J12E011  | 1SCA022615R1650 | 23   | External handle           | OT2000E12CLP | 1SCA117617R1001 | 21   | Manual change-over switch |
| OHY200J12PE011 | 1SCA104686R1001 | 23   | External handle           | OT2000E12CP  | 1SCA103915R1001 | 16   | Manual change-over switch |
| OHY45J6E011    | 1SCA022817R2210 | 23   | External handle           | OT2000E13CLP | 1SCA117620R1001 | 21   | Manual change-over switch |
| OHY45J6E311    | 1SCA022817R2300 | 23   | External handle           | OT2000E13CP  | 1SCA103918R1001 | 16   | Manual change-over switch |
| OHY65J6E011    | 1SCA022779R1840 | 23   | External handle           | OT2000E22CP  | 1SCA103953R1001 | 16   | Manual change-over switch |
| OHY95J12E011   | 1SCA022621R0920 | 23   | External handle           | OT200E03CFP  | 1SCA108520R1001 | 16   | Manual change-over switch |
| OHYS2AJE011    | 1SCA105301R1001 | 23   | External handle           | OT200E03CLP  | 1SCA108522R1001 | 21   | Manual change-over switch |
| OT1000E03CLP   | 1SCA117221R1001 | 21   | Manual change-over switch | OT200E03CP   | 1SCA022771R7520 | 15   | Manual change-over switch |
| OT1000E03CP    | 1SCA022872R1680 | 15   | Manual change-over switch | OT200E03WCFP | 1SCA107578R1001 | 16   | Manual change-over switch |
| OT1000E04CLP   | 1SCA117224R1001 | 21   | Manual change-over switch | OT200E03WCLP | 1SCA108525R1001 | 21   | Manual change-over switch |
| OT1000E04CP    | 1SCA022872R1500 | 15   | Manual change-over switch | OT200E03WCP  | 1SCA022772R8720 | 15   | Manual change-over switch |
| OT1000E12CLP   | 1SCA117608R1001 | 21   | Manual change-over switch | OT200E04CFP  | 1SCA107578R1001 | 16   | Manual change-over switch |
| OT1000E12CP    | 1SCA103287R1001 | 15   | Manual change-over switch | OT200E04CLP  | 1SCA108530R1001 | 21   | Manual change-over switch |
| OT1000E13CLP   | 1SCA117677R1001 | 21   | Manual change-over switch | OT200E04CP   | 1SCA022771R7280 | 15   | Manual change-over switch |
| OT1000E13CP    | 1SCA103291R1001 | 15   | Manual change-over switch | OT200E04WCFP | 1SCA108531R1001 | 16   | Manual change-over switch |



# Index

| Type         | Order Number    | Page | Description               | Type             | Order Number    | Page | Description               |
|--------------|-----------------|------|---------------------------|------------------|-----------------|------|---------------------------|
| OT200E04WCLP | 1SCA108532R1001 | 21   | Manual change-over switch | OT400E13CP       | 1SCA022777R0500 | 15   | Manual change-over switch |
| OT200E04WCP  | 1SCA022775R0650 | 15   | Manual change-over switch | OT400U03CP       | 1SCA022771R2810 | 22   | Change-over switch        |
| OT200E12CFP  | 1SCA108535R1001 | 16   | Manual change-over switch | OT400U04CP       | 1SCA022771R2300 | 22   | Change-over switch        |
| OT200E12CLP  | 1SCA108537R1001 | 21   | Manual change-over switch | OT40F3C          | 1SCA104913R1001 | 15   | Manual change-over switch |
| OT200E12CP   | 1SCA022776R8510 | 15   | Manual change-over switch | OT40F4C          | 1SCA104934R1001 | 15   | Manual change-over switch |
| OT200E13CFP  | 1SCA108543R1001 | 16   | Manual change-over switch | OT600U03CP       | 1SCA022785R5320 | 22   | Change-over switch        |
| OT200E13CLP  | 1SCA108548R1001 | 21   | Manual change-over switch | OT600U04CP       | 1SCA022785R5410 | 22   | Change-over switch        |
| OT200E13CP   | 1SCA022777R0250 | 15   | Manual change-over switch | OT630E03CFP      | 1SCA106915R1001 | 16   | Manual change-over switch |
| OT200U03CP   | 1SCA022771R5910 | 22   | Change-over switch        | OT630E03CLP      | 1SCA106917R1001 | 21   | Manual change-over switch |
| OT200U04CP   | 1SCA022771R6210 | 22   | Change-over switch        | OT630E03CP       | 1SCA022785R6050 | 15   | Manual change-over switch |
| OT2500E03CLP | 1SCA117249R1001 | 21   | Manual change-over switch | OT630E04CFP      | 1SCA108753R1001 | 16   | Manual change-over switch |
| OT2500E03CP  | 1SCA105615R1001 | 16   | Manual change-over switch | OT630E04CLP      | 1SCA106947R1001 | 21   | Manual change-over switch |
| OT2500E04CLP | 1SCA117252R1001 | 21   | Manual change-over switch | OT630E04CP       | 1SCA022785R6130 | 15   | Manual change-over switch |
| OT2500E04CP  | 1SCA103906R1001 | 16   | Manual change-over switch | OT630E12CFP      | 1SCA106963R1001 | 16   | Manual change-over switch |
| OT2500E12CLP | 1SCA117619R1001 | 21   | Manual change-over switch | OT630E12CLP      | 1SCA106968R1001 | 21   | Manual change-over switch |
| OT2500E12CP  | 1SCA103891R1001 | 16   | Manual change-over switch | OT630E12CP       | 1SCA022785R8690 | 15   | Manual change-over switch |
| OT2500E13CLP | 1SCA117622R1001 | 21   | Manual change-over switch | OT630E13CFP      | 1SCA106988R1001 | 16   | Manual change-over switch |
| OT2500E13CP  | 1SCA103895R1001 | 16   | Manual change-over switch | OT630E13CLP      | 1SCA106981R1001 | 21   | Manual change-over switch |
| OT2500E22CP  | 1SCA103902R1001 | 16   | Manual change-over switch | OT630E13CP       | 1SCA022785R9070 | 15   | Manual change-over switch |
| OT250E03CFP  | 1SCA108591R1001 | 16   | Manual change-over switch | OT63F3C          | 1SCA105338R1001 | 15   | Manual change-over switch |
| OT250E03CLP  | 1SCA108593R1001 | 21   | Manual change-over switch | OT63F4C          | 1SCA105369R1001 | 15   | Manual change-over switch |
| OT250E03CP   | 1SCA022771R3450 | 15   | Manual change-over switch | OT800E03CFP      | 1SCA106916R1001 | 16   | Manual change-over switch |
| OT250E03WCFP | 1SCA107577R1001 | 16   | Manual change-over switch | OT800E03CLP      | 1SCA106928R1001 | 21   | Manual change-over switch |
| OT250E03WCLP | 1SCA107576R1001 | 21   | Manual change-over switch | OT800E03CP       | 1SCA022785R6300 | 15   | Manual change-over switch |
| OT250E03WCP  | 1SCA022772R8300 | 15   | Manual change-over switch | OT800E04CFP      | 1SCA106945R1001 | 16   | Manual change-over switch |
| OT250E04CFP  | 1SCA108600R1001 | 16   | Manual change-over switch | OT800E04CLP      | 1SCA106952R1001 | 21   | Manual change-over switch |
| OT250E04CLP  | 1SCA108605R1001 | 21   | Manual change-over switch | OT800E04CP       | 1SCA022785R6210 | 15   | Manual change-over switch |
| OT250E04CP   | 1SCA022775R4640 | 15   | Manual change-over switch | OT800E12CFP      | 1SCA106966R1001 | 16   | Manual change-over switch |
| OT250E04WCFP | 1SCA108606R1001 | 16   | Manual change-over switch | OT800E12CLP      | 1SCA106973R1001 | 21   | Manual change-over switch |
| OT250E04WCLP | 1SCA108607R1001 | 21   | Manual change-over switch | OT800E12CP       | 1SCA022785R8850 | 15   | Manual change-over switch |
| OT250E04WCP  | 1SCA022775R0810 | 15   | Manual change-over switch | OT800E13CFP      | 1SCA106983R1001 | 16   | Manual change-over switch |
| OT250E12CFP  | 1SCA108609R1001 | 16   | Manual change-over switch | OT800E13CLP      | 1SCA106976R1001 | 21   | Manual change-over switch |
| OT250E12CLP  | 1SCA108611R1001 | 21   | Manual change-over switch | OT800E13CP       | 1SCA022785R9230 | 15   | Manual change-over switch |
| OT250E12CP   | 1SCA022776R9320 | 15   | Manual change-over switch | OT80F3C          | 1SCA105402R1001 | 15   | Manual change-over switch |
| OT250E13CFP  | 1SCA108615R1001 | 16   | Manual change-over switch | OT80F4C          | 1SCA105418R1001 | 15   | Manual change-over switch |
| OT250E13CLP  | 1SCA108618R1001 | 21   | Manual change-over switch | OTB1600/6C       | 1SCA104661R1001 | 28   | Phase separator           |
| OT250E13CP   | 1SCA022777R0330 | 15   | Manual change-over switch | OTB800/6C        | 1SCA107272R1001 | 28   | Phase separator           |
| OT25F3C      | 1SCA104863R1001 | 15   | Manual change-over switch | OTM1000E3C8D230C | 1SCA112868R1001 | 20   | Automatic transfer switch |
| OT25F4C      | 1SCA104877R1001 | 15   | Manual change-over switch | OTM1000E3CM110V  | 1SCA113653R1001 | 18   | Change-over switch        |
| OT315E03CFP  | 1SCA108629R1001 | 16   | Manual change-over switch | OTM1000E3CM230C  | 1SCA112677R1001 | 18   | Change-over switch        |
| OT315E03CLP  | 1SCA108630R1001 | 21   | Manual change-over switch | OTM1000E3CM24D   | 1SCA113672R1001 | 18   | Change-over switch        |
| OT315E03CP   | 1SCA022772R6780 | 15   | Manual change-over switch | OTM1000E3CM48D   | 1SCA113663R1001 | 18   | Change-over switch        |
| OT315E04CFP  | 1SCA114535R1001 | 16   | Manual change-over switch | OTM1000E4C2D230C | 1SCA112858R1001 | 20   | Automatic transfer switch |
| OT315E04CLP  | 1SCA106404R1001 | 21   | Manual change-over switch | OTM1000E4C3D230C | 1SCA112852R1001 | 20   | Automatic transfer switch |
| OT315E04CP   | 1SCA022775R7150 | 15   | Manual change-over switch | OTM1000E4C8D230C | 1SCA112861R1001 | 20   | Automatic transfer switch |
| OT315E12CFP  | 1SCA108633R1001 | 16   | Manual change-over switch | OTM1000E4CM110V  | 1SCA113656R1001 | 18   | Change-over switch        |
| OT315E12CLP  | 1SCA106419R1001 | 21   | Manual change-over switch | OTM1000E4CM230C  | 1SCA112703R1001 | 18   | Change-over switch        |
| OT315E12CP   | 1SCA022776R9910 | 15   | Manual change-over switch | OTM1000E4CM24D   | 1SCA113675R1001 | 18   | Change-over switch        |
| OT315E13CFP  | 1SCA106436R1001 | 16   | Manual change-over switch | OTM1000E4CM48D   | 1SCA113666R1001 | 18   | Change-over switch        |
| OT315E13CLP  | 1SCA106443R1001 | 21   | Manual change-over switch | OTM1250E3C8D230C | 1SCA112862R1001 | 20   | Automatic transfer switch |
| OT315E13CP   | 1SCA022777R0410 | 15   | Manual change-over switch | OTM1250E3CM110V  | 1SCA113652R1001 | 18   | Change-over switch        |
| OT400E03CFP  | 1SCA106360R1001 | 16   | Manual change-over switch | OTM1250E3CM230C  | 1SCA112676R1001 | 18   | Change-over switch        |
| OT400E03CLP  | 1SCA108641R1001 | 21   | Manual change-over switch | OTM1250E3CM24D   | 1SCA113671R1001 | 18   | Change-over switch        |
| OT400E03CP   | 1SCA022771R8500 | 15   | Manual change-over switch | OTM1250E3CM48D   | 1SCA113662R1001 | 18   | Change-over switch        |
| OT400E04CFP  | 1SCA108650R1001 | 16   | Manual change-over switch | OTM1250E4C2D230C | 1SCA112857R1001 | 20   | Automatic transfer switch |
| OT400E04CLP  | 1SCA106405R1001 | 21   | Manual change-over switch | OTM1250E4C3D230C | 1SCA112851R1001 | 20   | Automatic transfer switch |
| OT400E04CP   | 1SCA022771R8680 | 15   | Manual change-over switch | OTM1250E4C8D230C | 1SCA112864R1001 | 20   | Automatic transfer switch |
| OT400E12CFP  | 1SCA108652R1001 | 16   | Manual change-over switch | OTM1250E4CM110V  | 1SCA113655R1001 | 18   | Change-over switch        |
| OT400E12CLP  | 1SCA106423R1001 | 21   | Manual change-over switch | OTM1250E4CM230C  | 1SCA112702R1001 | 18   | Change-over switch        |
| OT400E12CP   | 1SCA022776R9590 | 15   | Manual change-over switch | OTM1250E4CM24D   | 1SCA113674R1001 | 18   | Change-over switch        |
| OT400E13CFP  | 1SCA106441R1001 | 16   | Manual change-over switch | OTM1250E4CM48D   | 1SCA113665R1001 | 18   | Change-over switch        |
| OT400E13CLP  | 1SCA106447R1001 | 21   | Manual change-over switch | OTM1600E3C8D230C | 1SCA112866R1001 | 20   | Automatic transfer switch |





# Index

| Type             | Order Number    | Page | Description               | Type             | Order Number    | Page | Description               |
|------------------|-----------------|------|---------------------------|------------------|-----------------|------|---------------------------|
| OTM1600E3CM110V  | 1SCA113654R1001 | 18   | Change-over switch        | OTM200E4WCM110V  | 1SCA022846R7790 | 17   | Change-over switch        |
| OTM1600E3CM230C  | 1SCA112678R1001 | 18   | Change-over switch        | OTM200E4WCM230C  | 1SCA022846R7870 | 17   | Change-over switch        |
| OTM1600E3CM24D   | 1SCA113673R1001 | 18   | Change-over switch        | OTM200E4WCM24D   | 1SCA022846R7520 | 17   | Change-over switch        |
| OTM1600E3CM48D   | 1SCA113664R1001 | 18   | Change-over switch        | OTM200E4WCM48D   | 1SCA022846R7610 | 17   | Change-over switch        |
| OTM1600E4C3D230C | 1SCA112848R1001 | 20   | Automatic transfer switch | OTM2500E3CM110V  | 1SCA113684R1001 | 18   | Change-over switch        |
| OTM1600E4C8D230C | 1SCA112867R1001 | 20   | Automatic transfer switch | OTM2500E3CM230C  | 1SCA112710R1001 | 18   | Change-over switch        |
| OTM1600E4CM110V  | 1SCA113657R1001 | 18   | Change-over switch        | OTM2500E3CM24D   | 1SCA113696R1001 | 18   | Change-over switch        |
| OTM1600E4CM230C  | 1SCA112704R1001 | 18   | Change-over switch        | OTM2500E3CM48D   | 1SCA113690R1001 | 18   | Change-over switch        |
| OTM1600E4CM24D   | 1SCA113676R1001 | 18   | Change-over switch        | OTM2500E4CM110V  | 1SCA113686R1001 | 18   | Change-over switch        |
| OTM1600E4CM48D   | 1SCA113667R1001 | 18   | Change-over switch        | OTM2500E4CM230C  | 1SCA112713R1001 | 18   | Change-over switch        |
| OTM160E3C8D230C  | 1SCA101017R1001 | 20   | Automatic transfer switch | OTM2500E4CM24D   | 1SCA113698R1001 | 18   | Change-over switch        |
| OTM160E3CM110V   | 1SCA022845R8530 | 17   | Change-over switch        | OTM2500E4CM48D   | 1SCA113692R1001 | 18   | Change-over switch        |
| OTM160E3CM230C   | 1SCA022845R8610 | 17   | Change-over switch        | OTM250E3C8D230C  | 1SCA101019R1001 | 20   | Automatic transfer switch |
| OTM160E3CM24D    | 1SCA022845R8110 | 17   | Change-over switch        | OTM250E3CM110V   | 1SCA022845R9180 | 17   | Change-over switch        |
| OTM160E3CM48D    | 1SCA022845R8450 | 17   | Change-over switch        | OTM250E3CM230C   | 1SCA022845R9260 | 17   | Change-over switch        |
| OTM160E3WC8D230C | 1SCA101036R1001 | 20   | Automatic transfer switch | OTM250E3CM24D    | 1SCA022845R8370 | 17   | Change-over switch        |
| OTM160E3WCM110V  | 1SCA022846R3450 | 17   | Change-over switch        | OTM250E3CM48D    | 1SCA022845R9000 | 17   | Change-over switch        |
| OTM160E3WCM230C  | 1SCA022846R4000 | 17   | Change-over switch        | OTM250E3WC8D230C | 1SCA101038R1001 | 20   | Automatic transfer switch |
| OTM160E3WCM24D   | 1SCA022846R3290 | 17   | Change-over switch        | OTM250E3WCM110V  | 1SCA022846R4690 | 17   | Change-over switch        |
| OTM160E3WCM48D   | 1SCA022846R3370 | 17   | Change-over switch        | OTM250E3WCM230C  | 1SCA022846R4770 | 17   | Change-over switch        |
| OTM160E4C2D230C  | 1SCA106230R1001 | 20   | Automatic transfer switch | OTM250E3WCM24D   | 1SCA022846R4420 | 17   | Change-over switch        |
| OTM160E4C3D230C  | 1SCA106305R1001 | 20   | Automatic transfer switch | OTM250E3WCM48D   | 1SCA022846R4510 | 17   | Change-over switch        |
| OTM160E4C8D230C  | 1SCA101020R1001 | 20   | Automatic transfer switch | OTM250E4C2D230C  | 1SCA101016R1001 | 20   | Automatic transfer switch |
| OTM160E4CM110V   | 1SCA022846R1080 | 17   | Change-over switch        | OTM250E4C3D230C  | 1SCA106313R1001 | 20   | Automatic transfer switch |
| OTM160E4CM230C   | 1SCA022848R1510 | 17   | Change-over switch        | OTM250E4C8D230C  | 1SCA101022R1001 | 20   | Automatic transfer switch |
| OTM160E4CM24D    | 1SCA022846R0860 | 17   | Change-over switch        | OTM250E4CM110V   | 1SCA022846R1830 | 17   | Change-over switch        |
| OTM160E4CM48D    | 1SCA022846R0940 | 17   | Change-over switch        | OTM250E4CM230C   | 1SCA022846R1910 | 17   | Change-over switch        |
| OTM160E4WC2D230C | 1SCA101033R1001 | 20   | Automatic transfer switch | OTM250E4CM24D    | 1SCA022846R1670 | 17   | Change-over switch        |
| OTM160E4WC3D230C | 1SCA106306R1001 | 20   | Automatic transfer switch | OTM250E4CM48D    | 1SCA022846R1750 | 17   | Change-over switch        |
| OTM160E4WC8D230C | 1SCA101039R1001 | 20   | Automatic transfer switch | OTM250E4WC2D230C | 1SCA101035R1001 | 20   | Automatic transfer switch |
| OTM160E4WCM110V  | 1SCA022846R7360 | 17   | Change-over switch        | OTM250E4WC3D230C | 1SCA106314R1001 | 20   | Automatic transfer switch |
| OTM160E4WCM230C  | 1SCA022846R7440 | 17   | Change-over switch        | OTM250E4WC8D230C | 1SCA101041R1001 | 20   | Automatic transfer switch |
| OTM160E4WCM24D   | 1SCA022846R7100 | 17   | Change-over switch        | OTM250E4WCM110V  | 1SCA022846R8170 | 17   | Change-over switch        |
| OTM160E4WCM48D   | 1SCA022846R7280 | 17   | Change-over switch        | OTM250E4WCM230C  | 1SCA022846R8250 | 17   | Change-over switch        |
| OTM2000E3CM110V  | 1SCA113683R1001 | 18   | Change-over switch        | OTM250E4WCM24D   | 1SCA022846R7950 | 17   | Change-over switch        |
| OTM2000E3CM230C  | 1SCA112709R1001 | 18   | Change-over switch        | OTM250E4WCM48D   | 1SCA022846R8090 | 17   | Change-over switch        |
| OTM2000E3CM24D   | 1SCA113695R1001 | 18   | Change-over switch        | OTM315E3C8D230C  | 1SCA101062R1001 | 20   | Automatic transfer switch |
| OTM2000E3CM48D   | 1SCA113689R1001 | 18   | Change-over switch        | OTM315E3CM110V   | 1SCA022847R1120 | 17   | Change-over switch        |
| OTM2000E4CM110V  | 1SCA113685R1001 | 18   | Change-over switch        | OTM315E3CM230C   | 1SCA022847R1210 | 17   | Change-over switch        |
| OTM2000E4CM230C  | 1SCA112712R1001 | 18   | Change-over switch        | OTM315E3CM24D    | 1SCA022847R0910 | 17   | Change-over switch        |
| OTM2000E4CM24D   | 1SCA113697R1001 | 18   | Change-over switch        | OTM315E3CM48D    | 1SCA022847R1040 | 17   | Change-over switch        |
| OTM2000E4CM48D   | 1SCA113691R1001 | 18   | Change-over switch        | OTM315E4C2D230C  | 1SCA101059R1001 | 20   | Automatic transfer switch |
| OTM200E3C8D230C  | 1SCA101018R1001 | 20   | Automatic transfer switch | OTM315E4C3D230C  | 1SCA106317R1001 | 20   | Automatic transfer switch |
| OTM200E3CM110V   | 1SCA022845R8880 | 17   | Change-over switch        | OTM315E4C8D230C  | 1SCA101063R1001 | 20   | Automatic transfer switch |
| OTM200E3CM230C   | 1SCA022845R8960 | 17   | Change-over switch        | OTM315E4CM110V   | 1SCA022847R2790 | 17   | Change-over switch        |
| OTM200E3CM24D    | 1SCA022845R8290 | 17   | Change-over switch        | OTM315E4CM230C   | 1SCA022847R2870 | 17   | Change-over switch        |
| OTM200E3CM48D    | 1SCA022845R8700 | 17   | Change-over switch        | OTM315E4CM24D    | 1SCA022847R2520 | 17   | Change-over switch        |
| OTM200E3WC8D230C | 1SCA101037R1001 | 20   | Automatic transfer switch | OTM315E4CM48D    | 1SCA022847R2610 | 17   | Change-over switch        |
| OTM200E3WCM110V  | 1SCA022846R3880 | 17   | Change-over switch        | OTM400E3C8D230C  | 1SCA101061R1001 | 20   | Automatic transfer switch |
| OTM200E3WCM230C  | 1SCA022846R3960 | 17   | Change-over switch        | OTM400E3CM110V   | 1SCA022847R1550 | 17   | Change-over switch        |
| OTM200E3WCM24D   | 1SCA022846R3610 | 17   | Change-over switch        | OTM400E3CM230C   | 1SCA022847R1630 | 17   | Change-over switch        |
| OTM200E3WCM48D   | 1SCA022846R3700 | 17   | Change-over switch        | OTM400E3CM24D    | 1SCA022847R1390 | 17   | Change-over switch        |
| OTM200E4C2D230C  | 1SCA106671R1001 | 20   | Automatic transfer switch | OTM400E3CM48D    | 1SCA022847R1470 | 17   | Change-over switch        |
| OTM200E4C3D230C  | 1SCA106309R1001 | 20   | Automatic transfer switch | OTM400E4C2D230C  | 1SCA101060R1001 | 20   | Automatic transfer switch |
| OTM200E4C8D230C  | 1SCA101021R1001 | 20   | Automatic transfer switch | OTM400E4C3D230C  | 1SCA106318R1001 | 20   | Automatic transfer switch |
| OTM200E4CM110V   | 1SCA022846R1410 | 17   | Change-over switch        | OTM400E4C8D230C  | 1SCA101064R1001 | 20   | Automatic transfer switch |
| OTM200E4CM230C   | 1SCA022846R1590 | 17   | Change-over switch        | OTM400E4CM110V   | 1SCA022847R3170 | 17   | Change-over switch        |
| OTM200E4CM24D    | 1SCA022846R1240 | 17   | Change-over switch        | OTM400E4CM230C   | 1SCA022847R3250 | 17   | Change-over switch        |
| OTM200E4CM48D    | 1SCA022846R1320 | 17   | Change-over switch        | OTM400E4CM24D    | 1SCA022847R2950 | 17   | Change-over switch        |
| OTM200E4WC2D230C | 1SCA101034R1001 | 20   | Automatic transfer switch | OTM400E4CM48D    | 1SCA022847R3090 | 17   | Change-over switch        |
| OTM200E4WC3D230C | 1SCA106310R1001 | 20   | Automatic transfer switch | OTM630E3C8D230C  | 1SCA108452R1001 | 20   | Automatic transfer switch |
| OTM200E4WC8D230C | 1SCA101040R1001 | 20   | Automatic transfer switch | OTM630E3CM110V   | 1SCA022873R1050 | 18   | Change-over switch        |



# Index

| Type            | Order Number    | Page | Description               | Type       | Order Number    | Page | Description     |
|-----------------|-----------------|------|---------------------------|------------|-----------------|------|-----------------|
| OTM630E3CM230C  | 1SCA103567R1001 | 18   | Change-over switch        | OTV400ECLK | 1SCA113143R1001 | 24   | Handle          |
| OTM630E3CM24D   | 1SCA022873R1210 | 18   | Change-over switch        | OTV400ECMK | 1SCA022843R2900 | 24   | Handle          |
| OTM630E3CM48D   | 1SCA022873R1300 | 18   | Change-over switch        | OTV800ECFK | 1SCA113151R1001 | 24   | Handle          |
| OTM630E4C2D230C | 1SCA108434R1001 | 20   | Automatic transfer switch | OTV800ECK  | 1SCA022797R2470 | 24   | Handle          |
| OTM630E4C3D230C | 1SCA108726R1001 | 20   | Automatic transfer switch | OTV800ECLK | 1SCA113148R1001 | 24   | Handle          |
| OTM630E4C8D230C | 1SCA108453R1001 | 20   | Automatic transfer switch | OTV800ECMK | 1SCA022804R3410 | 24   | Handle          |
| OTM630E4CM110V  | 1SCA022873R1810 | 18   | Change-over switch        | OTVS1      | 1SCA111413R1001 | 24   | Handle          |
| OTM630E4CM230C  | 1SCA022873R1990 | 18   | Change-over switch        | OTVS2      | 1SCA111414R1001 | 24   | Handle          |
| OTM630E4CM24D   | 1SCA022872R2020 | 18   | Change-over switch        | OTZC13     | 1SCA022767R6910 | 32   | Bridging bar    |
| OTM630E4CM48D   | 1SCA022873R2110 | 18   | Change-over switch        | OTZC14     | 1SCA022767R7040 | 32   | Bridging bar    |
| OTM800E3C8D230C | 1SCA108454R1001 | 20   | Automatic transfer switch | OTZC23     | 1SCA022767R7120 | 32   | Bridging bar    |
| OTM800E3CM110V  | 1SCA022872R5750 | 18   | Change-over switch        | OTZC24     | 1SCA022767R7210 | 32   | Bridging bar    |
| OTM800E3CM230C  | 1SCA103570R1001 | 18   | Change-over switch        | OTZC33     | 1SCA022785R7020 | 32   | Bridging bar    |
| OTM800E3CM24D   | 1SCA022872R5910 | 18   | Change-over switch        | OTZC34     | 1SCA022785R7110 | 32   | Bridging bar    |
| OTM800E3CM48D   | 1SCA022872R6050 | 18   | Change-over switch        | OTZC43     | 1SCA022868R0710 | 32   | Bridging bar    |
| OTM800E4C2D230C | 1SCA108439R1001 | 20   | Automatic transfer switch | OTZC44     | 1SCA022868R0800 | 32   | Bridging bar    |
| OTM800E4C3D230C | 1SCA108728R1001 | 20   | Automatic transfer switch | OTZC53     | 1SCA022868R0980 | 32   | Bridging bar    |
| OTM800E4C8D230C | 1SCA108455R1001 | 20   | Automatic transfer switch | OTZC54     | 1SCA022868R1010 | 32   | Bridging bar    |
| OTM800E4CM110V  | 1SCA022872R8260 | 18   | Change-over switch        | OTZC63     | 1SCA022868R1100 | 32   | Bridging bar    |
| OTM800E4CM230C  | 1SCA022872R8340 | 18   | Change-over switch        | OTZC64     | 1SCA022868R1360 | 32   | Bridging bar    |
| OTM800E4CM24D   | 1SCA022872R8420 | 18   | Change-over switch        | OTZR1      | 1SCA100352R1001 | 32   | Reversing bar   |
| OTM800E4CM48D   | 1SCA022872R8510 | 18   | Change-over switch        | OTZR2      | 1SCA104647R1001 | 32   | Reversing bar   |
| OTPS125FP       | 1SCA105099R1001 | 27   | 4th pole                  | OTZR3      | 1SCA100355R1001 | 32   | Reversing bar   |
| OTPS40FPN1      | 1SCA105001R1001 | 27   | 4th pole                  | OTZW17     | 1SCA022387R1620 | 30   | Change-over kit |
| OTPS40FPN2      | 1SCA105000R1001 | 27   | 4th pole                  | OTZW25     | 1SCA022778R6920 | 30   | Change-over kit |
| OTPS80FP        | 1SCA105461R1001 | 27   | 4th pole                  | OTZW26     | 1SCA022778R7060 | 30   | Change-over kit |
| OTS125T1        | 1SCA022379R9760 | 27   | Terminal shroud           | OWC6D125   | 1SCA104494R1001 | 30   | Change-over kit |
| OTS125T3        | 1SCA022379R9680 | 27   | Terminal shroud           | OWC6D40    | 1SCA022865R4550 | 30   | Change-over kit |
| OTS1600G1L/3    | 1SCA022871R9510 | 27   | Terminal shroud           | OWC6D80    | 1SCA022865R4630 | 30   | Change-over kit |
| OTS1600G1L/4    | 1SCA022871R9780 | 27   | Terminal shroud           | EXP12X107  | 1SCA022029R9750 | 25   | Shaft           |
| OTS1600G1S/3    | 1SCA022871R9600 | 27   | Terminal shroud           | EXP12X148  | 1SCA022658R5570 | 25   | Shaft           |
| OTS1600G1S/4    | 1SCA022871R9860 | 27   | Terminal shroud           | EXP12X148  | 1SCA022658R5570 | 25   | Shaft           |
| OTS2500G1L/3    | 1SCA107261R1001 | 27   | Terminal shroud           | EXP12X166  | 1SCA022325R7100 | 25   | Shaft           |
| OTS2500G1L/4    | 1SCA107262R1001 | 27   | Terminal shroud           | EXP12X166  | 1SCA022325R7100 | 25   | Shaft           |
| OTS2500G1S/3    | 1SCA107260R1001 | 27   | Terminal shroud           | EXP12X185  | 1SCA022325R6710 | 25   | Shaft           |
| OTS2500G1S/4    | 1SCA107271R1001 | 27   | Terminal shroud           | EXP12X185  | 1SCA022325R6710 | 25   | Shaft           |
| OTS250G1L/3     | 1SCA022731R8150 | 27   | Terminal shroud           | EXP12X250  | 1SCA022325R6980 | 25   | Shaft           |
| OTS250G1L/4     | 1SCA022731R8230 | 27   | Terminal shroud           | EXP12X250  | 1SCA022137R5140 | 25   | Shaft           |
| OTS250G1S/3     | 1SCA022731R8310 | 27   | Terminal shroud           | EXP12X250  | 1SCA022137R5140 | 25   | Shaft           |
| OTS250G1S/4     | 1SCA022731R8400 | 27   | Terminal shroud           | EXP12X280  | 1SCA022137R5140 | 25   | Shaft           |
| OTS400G1L/3     | 1SCA022736R8840 | 27   | Terminal shroud           | EXP12X325  | 1SCA022042R5810 | 25   | Shaft           |
| OTS400G1L/4     | 1SCA022736R9490 | 27   | Terminal shroud           | EXP12X325  | 1SCA022042R5810 | 25   | Shaft           |
| OTS400G1S/3     | 1SCA022736R9060 | 27   | Terminal shroud           | EXP12X325  | 1SCA022042R5810 | 25   | Shaft           |
| OTS400G1S/4     | 1SCA022736R9650 | 27   | Terminal shroud           | EXP12X395  | 1SCA022042R5990 | 25   | Shaft           |
| OTS40T1         | 1SCA105314R1001 | 27   | Terminal shroud           | EXP12X395  | 1SCA022042R5990 | 25   | Shaft           |
| OTS40T1         | 1SCA105314R1001 | 27   | Terminal shroud           | EXP12X395  | 1SCA022042R5990 | 25   | Shaft           |
| OTS40T3         | 1SCA105317R1001 | 27   | Terminal shroud           | EXP12X465  | 1SCA022042R6020 | 25   | Shaft           |
| OTS63T1         | 1SCA022353R6910 | 27   | Terminal shroud           | EXP12X465  | 1SCA022042R6020 | 25   | Shaft           |
| OTS63T3         | 1SCA022353R6750 | 27   | Terminal shroud           | EXP12X465  | 1SCA022042R6020 | 25   | Shaft           |
| OTS800G1L/3     | 1SCA022776R7890 | 27   | Terminal shroud           | EXP6X130   | 1SCA022057R0570 | 25   | Shaft           |
| OTS800G1L/4     | 1SCA022776R7970 | 27   | Terminal shroud           | EXP6x150   | 1SCA022295R5600 | 25   | Shaft           |
| OTS800G1S/3     | 1SCA022776R8190 | 27   | Terminal shroud           | EXP6x150   | 1SCA022295R5600 | 25   | Shaft           |
| OTS800G1S/4     | 1SCA022776R8270 | 27   | Terminal shroud           | EXP6x150   | 1SCA022295R5600 | 25   | Shaft           |
| OTV1000ECK      | 1SCA107481R1001 | 24   | Handle                    | EXP6X161   | 1SCA022067R1760 | 25   | Shaft           |
| OTV1000ECLK     | 1SCA113152R1001 | 24   | Handle                    | EXP6x170   | 1SCA108224R1001 | 25   | Shaft           |
| OTV1000ECMK     | 1SCA111301R1001 | 24   | Handle                    | EXP6x170   | 1SCA108224R1001 | 25   | Shaft           |
| OTV250ECFK      | 1SCA113141R1001 | 24   | Handle                    | EXP6x170   | 1SCA108224R1001 | 25   | Shaft           |
| OTV250ECK       | 1SCA022783R0090 | 24   | Handle                    | EXP6X210   | 1SCA022295R6080 | 25   | Shaft           |
| OTV250ECLK      | 1SCA113137R1001 | 24   | Handle                    | EXP6x265   | 1SCA108225R1001 | 25   | Shaft           |
| OTV250ECMK      | 1SCA022804R0570 | 24   | Handle                    | EXP6x265   | 1SCA108225R1001 | 25   | Shaft           |
| OTV400ECFK      | 1SCA113147R1001 | 24   | Handle                    | EXP6x265   | 1SCA108225R1001 | 25   | Shaft           |
| OTV400ECK       | 1SCA022783R0170 | 24   | Handle                    | EXP6X290   | 1SCA022042R6370 | 25   | Shaft           |



# Index

| Type     | Order Number    | Page | Description             | Type       | Order Number    | Page | Description        |
|----------|-----------------|------|-------------------------|------------|-----------------|------|--------------------|
| EXP6X360 | 1SCA022042R6530 | 25   | Shaft                   | OZXB7L     | 1SCA022185R7130 | 29   | Terminal clamp set |
| EXP6x400 | 1SCA108226R1001 | 25   | Shaft                   | OZXB7L     | 1SCA022185R7130 | 29   | Terminal clamp set |
| EXP6x400 | 1SCA108226R1001 | 25   | Shaft                   | OZXB7L/1   | 1SCA022194R1600 | 29   | Terminal clamp set |
| EXP6x400 | 1SCA108226R1001 | 25   | Shaft                   | OZXB7L/1   | 1SCA022194R1600 | 29   | Terminal clamp set |
| EXP6X90  | 1SCA022064R1180 | 25   | Shaft                   | OZXB7L/1   | 1SCA022194R1600 | 29   | Terminal clamp set |
| OXS6x105 | 1SCA108043R1001 | 25   | Shaft                   | OZXB8      | 1SCA022744R1510 | 29   | Terminal clamp set |
| OXS6x105 | 1SCA108043R1001 | 25   | Shaft                   | OZXB8      | 1SCA022744R1510 | 29   | Terminal clamp set |
| OXS6x105 | 1SCA108043R1001 | 25   | Shaft                   | OZXB8/1    | 1SCA022744R1600 | 29   | Terminal clamp set |
| OXS6x120 | 1SCA101654R1001 | 25   | Shaft                   | OZXB8/1    | 1SCA022744R1600 | 29   | Terminal clamp set |
| OXS6x120 | 1SCA101654R1001 | 25   | Shaft                   | OZXB9      | 1SCA022750R3210 | 29   | Terminal clamp set |
| OXS6x120 | 1SCA101654R1001 | 25   | Shaft                   | OZXB9      | 1SCA022750R3210 | 29   | Terminal clamp set |
| OXS6x130 | 1SCA101655R1001 | 25   | Shaft                   | OZXB9/1    | 1SCA022750R3300 | 29   | Terminal clamp set |
| OXS6x130 | 1SCA101655R1001 | 25   | Shaft                   | OZXB9/1    | 1SCA022750R3300 | 29   | Terminal clamp set |
| OXS6x130 | 1SCA101655R1001 | 25   | Shaft                   | OZXT3      | 1SCA022639R0720 | 29   | Terminal clamp set |
| OXS6x85  | 1SCA101647R1001 | 25   | Shaft                   | PB100 low  | 1SDA054970R1    | 28   | Phase barrier      |
| OXS6x85  | 1SCA101647R1001 | 25   | Shaft                   | PB100 low  | 1SDA054971R1    | 28   | Phase barrier      |
| OXS6x85  | 1SCA101647R1001 | 25   | Shaft                   | PB100 low  | 1SDA054970R1    | 28   | Phase barrier      |
| OZXA32   | 1SCA022683R4110 | 31   | Parallel connection kit | PB100 low  | 1SDA054971R1    | 28   | Phase barrier      |
| OZXA33   | 1SCA022685R0310 | 31   | Parallel connection kit | PB100 low  | 1SDA054970R1    | 28   | Phase barrier      |
| OZXA38   | 1SCA022785R2140 | 31   | Parallel connection kit | PB100 low  | 1SDA054971R1    | 28   | Phase barrier      |
| OZXA39   | 1SCA022790R3820 | 31   | Parallel connection kit | PB200 high | 1SDA054972R1    | 28   | Phase barrier      |
| OZXA40   | 1SCA022790R3910 | 31   | Parallel connection kit | PB200 high | 1SDA054973R1    | 28   | Phase barrier      |
| OZXA41   | 1SCA022790R4040 | 31   | Parallel connection kit | PB200 high | 1SDA054972R1    | 28   | Phase barrier      |
| OZXB1L   | 1SCA022169R2030 | 29   | Terminal clamp set      | PB200 high | 1SDA054973R1    | 28   | Phase barrier      |
| OZXB1L/1 | 1SCA022194R0030 | 29   | Terminal clamp set      | PB200 high | 1SDA054972R1    | 28   | Phase barrier      |
| OZXB2    | 1SCA022119R7610 | 29   | Terminal clamp set      | PB200 high | 1SDA054973R1    | 28   | Phase barrier      |
| OZXB2/1  | 1SCA022194R0200 | 29   | Terminal clamp set      | YASDA21    | 1SCA022098R9420 | 23   | External handle    |
| OZXB2K   | 1SCA022264R0010 | 27   | Terminal shroud         | YASDA6     | 1SCA022071R2890 | 23   | External handle    |
| OZXB2L   | 1SCA022158R7750 | 29   | Terminal clamp set      |            |                 |      |                    |
| OZXB2L   | 1SCA022158R7750 | 29   | Terminal clamp set      |            |                 |      |                    |
| OZXB2L/1 | 1SCA022194R0460 | 29   | Terminal clamp set      |            |                 |      |                    |
| OZXB2L/1 | 1SCA022194R0460 | 29   | Terminal clamp set      |            |                 |      |                    |
| OZXB3    | 1SCA022136R8100 | 29   | Terminal clamp set      |            |                 |      |                    |
| OZXB3    | 1SCA022136R8100 | 29   | Terminal clamp set      |            |                 |      |                    |
| OZXB3    | 1SCA022136R8100 | 29   | Terminal clamp set      |            |                 |      |                    |
| OZXB3/1  | 1SCA022194R0620 | 29   | Terminal clamp set      |            |                 |      |                    |
| OZXB3/1  | 1SCA022194R0620 | 29   | Terminal clamp set      |            |                 |      |                    |
| OZXB3/1  | 1SCA022194R0620 | 29   | Terminal clamp set      |            |                 |      |                    |
| OZXB3K   | 1SCA022264R0440 | 27   | Terminal shroud         |            |                 |      |                    |
| OZXB4    | 1SCA022137R4760 | 29   | Terminal clamp set      |            |                 |      |                    |
| OZXB4    | 1SCA022137R4760 | 29   | Terminal clamp set      |            |                 |      |                    |
| OZXB4    | 1SCA022137R4760 | 29   | Terminal clamp set      |            |                 |      |                    |
| OZXB4/1  | 1SCA022194R0890 | 29   | Terminal clamp set      |            |                 |      |                    |
| OZXB4/1  | 1SCA022194R0890 | 29   | Terminal clamp set      |            |                 |      |                    |
| OZXB4/1  | 1SCA022194R0890 | 29   | Terminal clamp set      |            |                 |      |                    |
| OZXB4K   | 1SCA022199R2850 | 27   | Terminal shroud         |            |                 |      |                    |
| OZXB5    | 1SCA022137R2470 | 29   | Terminal clamp set      |            |                 |      |                    |
| OZXB5    | 1SCA022137R2470 | 29   | Terminal clamp set      |            |                 |      |                    |
| OZXB5    | 1SCA022137R2470 | 29   | Terminal clamp set      |            |                 |      |                    |
| OZXB5/1  | 1SCA022194R1010 | 29   | Terminal clamp set      |            |                 |      |                    |
| OZXB5/1  | 1SCA022194R1010 | 29   | Terminal clamp set      |            |                 |      |                    |
| OZXB5/1  | 1SCA022194R1010 | 29   | Terminal clamp set      |            |                 |      |                    |
| OZXB5K   | 1SCA022283R8040 | 27   | Terminal shroud         |            |                 |      |                    |
| OZXB6    | 1SCA022137R4920 | 29   | Terminal clamp set      |            |                 |      |                    |
| OZXB6    | 1SCA022137R4920 | 29   | Terminal clamp set      |            |                 |      |                    |
| OZXB6    | 1SCA022137R4920 | 29   | Terminal clamp set      |            |                 |      |                    |
| OZXB6/1  | 1SCA022194R1270 | 29   | Terminal clamp set      |            |                 |      |                    |
| OZXB6/1  | 1SCA022194R1270 | 29   | Terminal clamp set      |            |                 |      |                    |
| OZXB6/1  | 1SCA022194R1270 | 29   | Terminal clamp set      |            |                 |      |                    |
| OZXB7    | 1SCA022185R0040 | 29   | Terminal clamp set      |            |                 |      |                    |
| OZXB7/1  | 1SCA022194R1430 | 29   | Terminal clamp set      |            |                 |      |                    |
| OZXB7L   | 1SCA022185R7130 | 29   | Terminal clamp set      |            |                 |      |                    |

# Contact us

## ABB Oy

### Low Voltage Switches

P.O. Box 622

FI-65101 Vaasa, Finland

Phone: +358 10 22 11

Fax: +358 22 45708

E-Mail: [firstname.surname@fi.abb.com](mailto:firstname.surname@fi.abb.com)

[www.abb.com](http://www.abb.com)

The technical data and dimensions are valid at the time of printing. We reserve the right to subsequent alterations.



Catalogue OTC1GB 10-03; 1SCC303003C0201