

FCM2000-MC2, FCM2000-MS2, FCM2000-ME2 Coriolis Mass Flowmeter

Measurement made easy



Contents

1	Safety instructions for repair work	3
2	Name plate specifications for spare parts orders	4
2.1	Name plate for flowmeter sensor, standard	4
2.2	Name plate with ATEX or IECEx approval.....	4
3	Spare parts list	5
3.1	Flowmeter	5
3.2	Lower connection box	5
3.3	Slide-in converter.....	6
3.4	Printed circuit board	7
3.5	External housing	7
3.6	Wall-mounted housing	8

1 Safety instructions for repair work

ABB flowmeters are designed to be easy to repair thanks to uniform replacement parts and simple replacement of predefined parts.

However, if repair work is not carried out in accordance with the guidelines, this may result in malfunctioning of the device, causing serious injury to persons, and harm to the environment. This is especially true for safety-critical devices and those certified for use in explosion hazard environments.

Certifications will also lapse if the repairs were not carried out with the proper tool or by persons without adequate training. We therefore recommend all repair work on flowmeters be carried out by ABB service technicians.

As the manufacturer of the device, ABB cannot guarantee the necessary quality of the repair procedures if the work and/or parts exchange was not carried out by ABB.

The plant operator is responsible for all repairs carried out by the customer, plant operator, or third party. In this case, ABB will reject all responsibility for any improper device functionality, in particular all safety-related functions.

ABB does not assume any liability for the deterioration or loss of device performance, malfunctions, or damage arising from the above repair work or replacement. All liability for defects shall lapse when the replacement or repair work is not carried out by ABB.

If you are unsure about the repair process even if some or all replacement parts are available, please get in touch with ABB Service before beginning work.

Respect national and internal laws when carrying out repairs. In particular laws relating to certified flowmeters used in explosion hazard environments. Repair work which is carried out without following the legal requirements can result in the revocation of your operating permit.

For more information, go to <http://new.abb.com/service/repairs> or contact your local ABB Customer Service Center.

2 Name plate specifications for spare parts orders

The flowmeter version can be identified by referring to the name plate that is attached to the housing.

2.1 Name plate for flowmeter sensor, standard

When placing spare parts orders, always remember to state the order number as shown on the name plate.

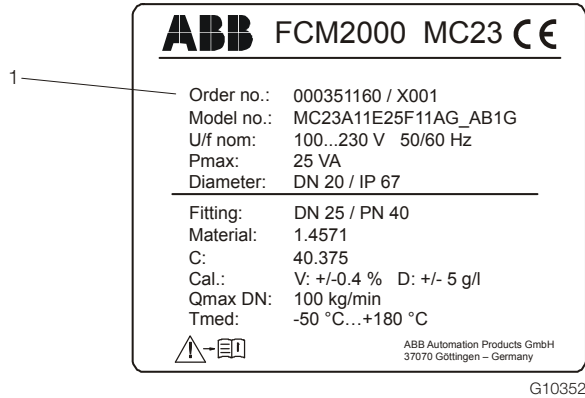


Fig. 1: Name plate for flowmeter sensor, standard

1 Order number

The flowmeter version can be identified by referring to the name plate that is attached to the housing.

2.2 Name plate with ATEX or IECEx approval

When placing spare parts orders, always remember to state the order number as shown on the name plate.

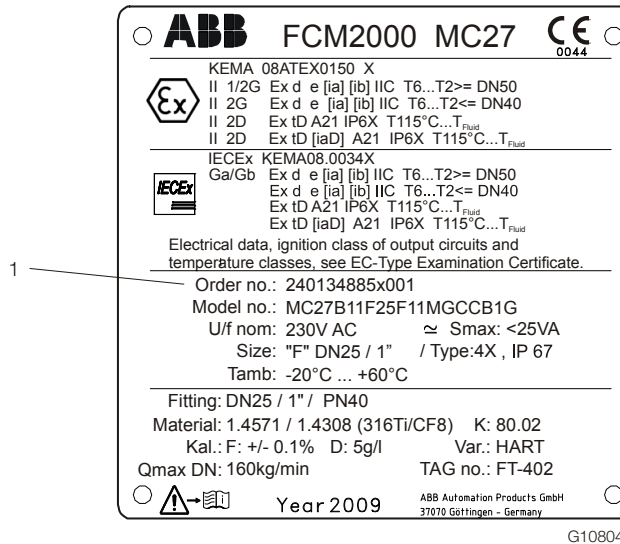


Fig. 2: Name plate with ATEX or IECEx approval

1 Project number

3 Spare parts list

i NOTICE

All prices on inquiry!

3.1 Flowmeter



Fig. 3

G10075

Position	Name of part	Variant	Order number	Weight kg (lb)	Price (€)
1	Cover with viewing window	Standard	D612A191U01	-	
	Cover with viewing window	Ex	D612A190U01	-	
2	O-ring	-	D101A029U01	-	
3	Cover, rear, inst.	Standard / Ex	D612A192U01	-	

3.2 Lower connection box

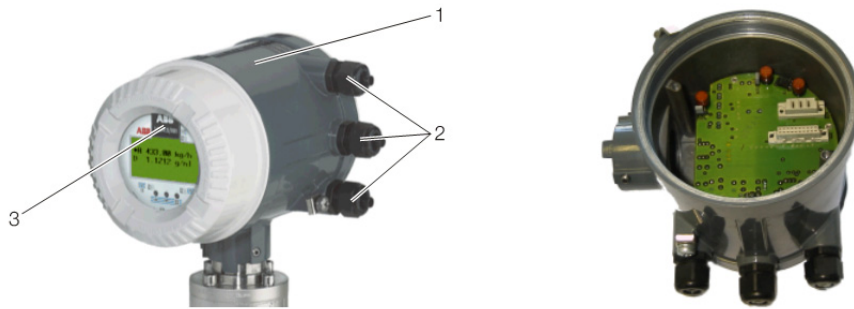


Fig. 4

G10266

Position	Name of part	Variant	Order number	Weight kg (lb)	Price (€)
1	ELCO housing M20 x 1.5 complete pre-mounted	standard	D612A207U01	-	
-	Threaded plug PG13.5 VP100	-	D114A001U13	-	
2	Cable gland M20 x 1.5 gray	-	D150A004U14	-	
3	FRAM board with ELCO mount	-	D674A664U02	-	
	FRAM board with ELCO mount program.	-	D674A664U02A	-	

3.3 Slide-in converter



G10429

Fig. 5

Position	Name of part	Order number	Weight kg (lb)	Price (€)
1	Converter 100 ... 230V, FF, standard FCM2000	D674A1018U06	-	
	Converter 100 ... 230V, FF, Ex, FCM2000	D674A1018U16	-	
	Converter 100 ... 230V, FF, Ex, MS2 FCM2000	D674A1018U36	-	
	Converter 100 ... 230V, FF, standard FCM2000	D674A1018U06	-	
	Converter 100 ... 230V, HART, Ex, MS2	D674A1018U12	-	
	Converter 100 ... 230V, HART, Ex, (FF7) MS2	D674A1018U32	-	
	Converter 100 ... 230V, HART, Ex, FO FCM2000	D674A1018U17	-	
	Converter 100 ... 230V, HART, standard FCM2000	D674A1018U02	-	
	Converter 100 ... 230V, HART, standard MC26	D674A1018U42	-	
	Converter 100 ... 230V, HART, standard MC26	D674A1018U45	-	
	Converter 100 ... 230V, PA, Ex FCM2000	D674A1018U15	-	
	Converter 100 ... 230V, PA, Ex, < MS2	D674A1018U35	-	
	Converter 100 ... 230V, PA/FF, standard FCM2000	D674A1018U05	-	
	Converter 24 V AC, FF, Ex FCM2000	D674A1017U16	-	
	Converter 24 V AC, FF, Ex, < MS2	D674A1017U36	-	
	Converter 24 V AC, FF, standard FCM2000	D674A1017U06	-	
	Converter 24 V AC, FF, standard MC26	D674A1017U46	-	
	Converter 24 V AC, HART, Ex FCM2000	D674A1017U12	-	
	Converter 24 V AC, HART, Ex, < MS2	D674A1017U32	-	
	Converter 24 V AC, HART, Ex, GG FCM2000	D674A1017U17	-	
	Converter 24 V AC, HART, standard FCM2000	D674A1017U02	-	
	Converter 24 V AC, HART, standard FCM2000-> MC26/27	D674A1017U42	-	
	Converter 24 V AC, PA, Ex FCM2000	D674A1017U15	-	
	Converter 24 V AC, PA, Ex, < MS2	D674A1017U35	-	
	Converter 24 V AC, PA, standard FCM2000	D674A1017U05	-	
	Converter 24 V AC, HART, standard MC26	D674A1017U45	-	

3.4 Printed circuit board

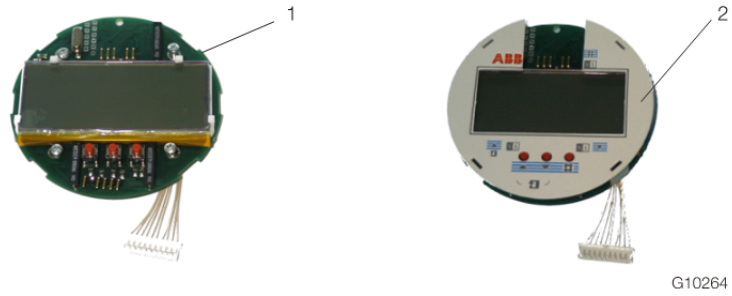


Fig. 6

Position	Name of part	Variant	Order number	Weight kg (lb)	Price (€)
1	Display board backlit ELCO	current	D685A1015U01	-	
2	Aperture for integral mount design	-	D355H294U02	-	
-	Display Set „new“ includes items Pos. 1 ... 2	-	D614L996U02	-	

3.5 External housing

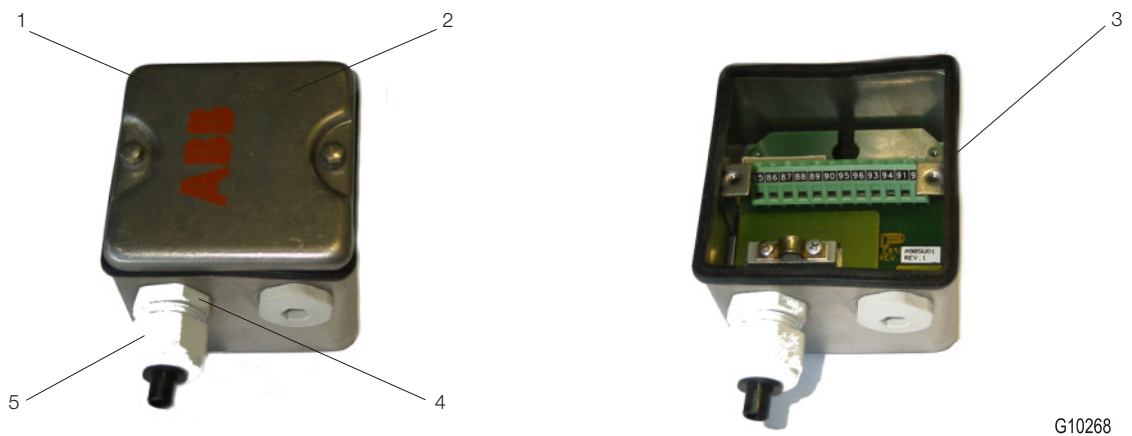


Fig. 7

Position	Name of part	Variant	Order number	Weight kg (lb)	Price (€)
1-5	Set 1 includes items 1 ... 5 Ext.	-	D614L994U01	-	
	Connection box MC21, stainless steel, M20 x 1,5	-	D614L801U01	-	

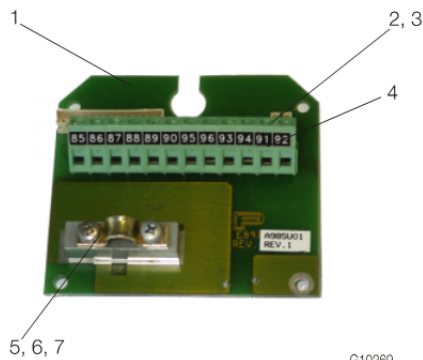


Fig. 8

Position	Name of part	Variant	Order number	Weight kg (lb)	Price (€)
1-7	Set 1 includes items 1 ... 7	-	D614L994U02	-	

3.6 Wall-mounted housing



G10430

Fig. 9

Position	Name of part	Variante	Order number	Weight kg (lb)	Price (€)
1	Wall-mounted housing inst.	-	D641A033U01	-	
	Housing + Backplane ME2_	-	D694A001U01	-	
	Screened control cable Li2Y(ST)CY(TP) 6 x 2 x 0.22	-	D173D146U01	-	
	Wiring Harness Signal, 10-core FCM2000	-	D677A406U01	-	
	Wiring Harness Driver, 2-core FCM2000	-	D677A405U01	-	

Notes

Notes

Notes

Contact us

To find your local ABB branch, go to:
www.abb.com/contacts

Additional product information is
available at:
www.abb.com

ABB Automation GmbH

Service Instrumentation
Dransfelder Str. 2
37079 Göttingen
Germany

Note

We reserve the right to make technical changes and changes affecting content to this document at any time without prior notice.

Orders are subject to the agreed detailed terms and conditions. ABB cannot be held responsible for any errors or omissions in this document.

We reserve all rights to this document and its content, including images. This document must not be copied, shared with third parties, or its content (in whole or in part) used without the prior written permission of ABB.

Copyright© 2016 ABB
All rights reserved

3KXF411002R4701

SPL/FCM2000-MC2-EN Rev. C 11.2016