

9T58K0000G05

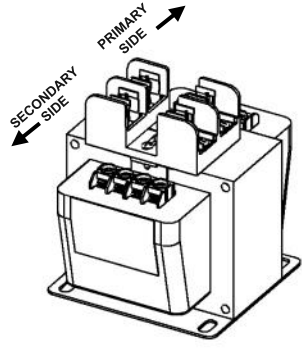
332A1500AAG05

TYPICAL INSTALLATION INSTRUCTIONS FOR 9T58K0000G05 FUSE-HOLDER KITS

FUSE-HOLDER KIT 9T58K0000G05 IS A UNIVERSAL DESIGN INTENDED TO FIT ALL ENCAPSULATED TYPE IP TRANSFORMERS. FIELD INSTALLATION OF THIS KIT DOES NOT AFFECT UL LISTING OF THE UNIT.

IMPORTANT: LOCK OFF ALL POWER TO THIS TRANSFORMER BEFORE INSTALLING THE FUSE-HOLDER KIT OR SERIOUS ELECTRICAL SHOCK MAY RESULT. IF YOU ARE UNSURE OF THE CORRECT CONNECTIONS TO BE MADE, CONTACT AN ABB FRANCHISED DISTRIBUTOR FOR ASSISTANCE.

332A1089AAP013



ORIENT THE FUSE-HOLDER SO THAT IT WILL BE LOCATED ON THE SECONDARY SIDE OF THE TRANSFORMER. (SEE STEP 2 FOR ACTUAL ASSEMBLY)

STEP 1

9T58K0000G05

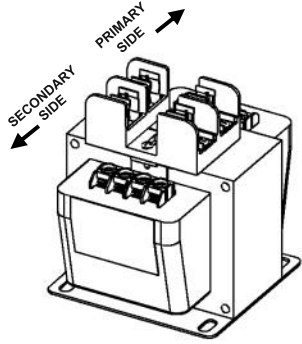
332A1500AAG05

TYPICAL INSTALLATION INSTRUCTIONS FOR 9T58K0000G05 FUSE-HOLDER KITS

FUSE-HOLDER KIT 9T58K0000G05 IS A UNIVERSAL DESIGN INTENDED TO FIT ALL ENCAPSULATED TYPE IP TRANSFORMERS. FIELD INSTALLATION OF THIS KIT DOES NOT AFFECT UL LISTING OF THE UNIT.

IMPORTANT: LOCK OFF ALL POWER TO THIS TRANSFORMER BEFORE INSTALLING THE FUSE-HOLDER KIT OR SERIOUS ELECTRICAL SHOCK MAY RESULT. IF YOU ARE UNSURE OF THE CORRECT CONNECTIONS TO BE MADE, CONTACT AN ABB FRANCHISED DISTRIBUTOR FOR ASSISTANCE.

332A1089AAP013



ORIENT THE FUSE-HOLDER SO THAT IT WILL BE LOCATED ON THE SECONDARY SIDE OF THE TRANSFORMER. (SEE STEP 2 FOR ACTUAL ASSEMBLY)

STEP 1

9T58K0000G05

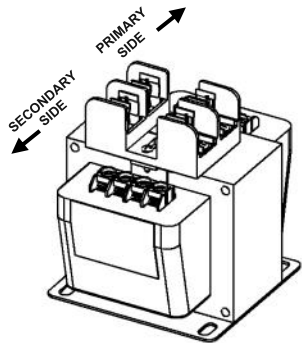
332A1500AAG05

TYPICAL INSTALLATION INSTRUCTIONS FOR 9T58K0000G05 FUSE-HOLDER KITS

FUSE-HOLDER KIT 9T58K0000G05 IS A UNIVERSAL DESIGN INTENDED TO FIT ALL ENCAPSULATED TYPE IP TRANSFORMERS. FIELD INSTALLATION OF THIS KIT DOES NOT AFFECT UL LISTING OF THE UNIT.

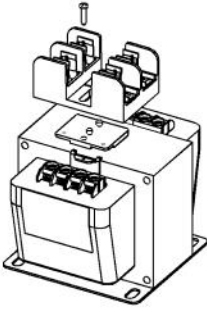
IMPORTANT: LOCK OFF ALL POWER TO THIS TRANSFORMER BEFORE INSTALLING THE FUSE-HOLDER KIT OR SERIOUS ELECTRICAL SHOCK MAY RESULT. IF YOU ARE UNSURE OF THE CORRECT CONNECTIONS TO BE MADE, CONTACT AN ABB FRANCHISED DISTRIBUTOR FOR ASSISTANCE.

332A1089AAP013



ORIENT THE FUSE-HOLDER SO THAT IT WILL BE LOCATED ON THE SECONDARY SIDE OF THE TRANSFORMER. (SEE STEP 2 FOR ACTUAL ASSEMBLY)

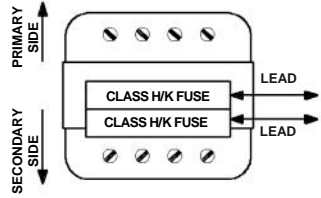
STEP 1



USE THE #6 SCREW PROVIDED TO MOUNT THE FUSE-HOLDER DIRECTLY ON TOP OF THE TRANSFORMER. THE SCREW WILL GO THRU THE FUSE-HOLDER, THRU THE MOUNTING BRACKET AND INTO THE TRANSFORMER MOUNTING TAB.

STEP 2

FUSE-HOLDER CONNECTIONS

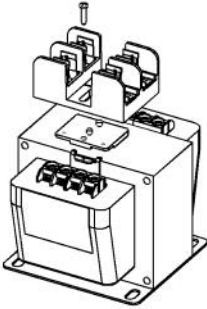


CONNECT THE LEADS PROVIDED TO ONE SIDE OF EACH OF THE CLASS H/K FUSE-HOLDERS AND TO THE DESIRED TRANSFORMER TERMINAL OR EXTERNAL DEVICE TO BE FUSED.

NOTE: FOR SERIES MULTIPLE PRIMARIES OR SECONDARIES, MAKE THE APPROPRIATE INTER CONNECTION(S) (I.E. SERIES OR MULTIPLE) AS USUAL.

CAUTION: ADDITIONAL SECONDARY FUSES WILL BE REQUIRED IF THERE IS MORE THAN ONE UNGROUNDED CONDUCTOR IN THE CIRCUIT (PER NEC 240 -20)

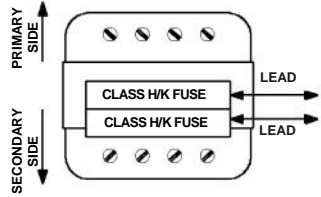
STEP 3



USE THE #6 SCREW PROVIDED TO MOUNT THE FUSE-HOLDER DIRECTLY ON TOP OF THE TRANSFORMER. THE SCREW WILL GO THRU THE FUSE-HOLDER, THRU THE MOUNTING BRACKET AND INTO THE TRANSFORMER MOUNTING TAB.

STEP 2

FUSE-HOLDER CONNECTIONS

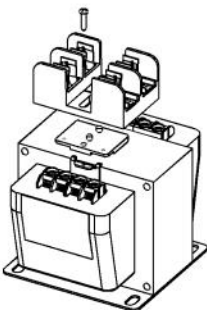


CONNECT THE LEADS PROVIDED TO ONE SIDE OF EACH OF THE CLASS H/K FUSE-HOLDERS AND TO THE DESIRED TRANSFORMER TERMINAL OR EXTERNAL DEVICE TO BE FUSED.

NOTE: FOR SERIES MULTIPLE PRIMARIES OR SECONDARIES, MAKE THE APPROPRIATE INTER CONNECTION(S) (I.E. SERIES OR MULTIPLE) AS USUAL.

CAUTION: ADDITIONAL SECONDARY FUSES WILL BE REQUIRED IF THERE IS MORE THAN ONE UNGROUNDED CONDUCTOR IN THE CIRCUIT (PER NEC 240 -20)

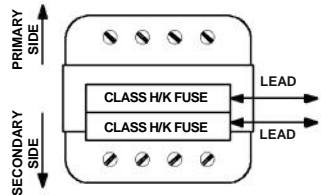
STEP 3



USE THE #6 SCREW PROVIDED TO MOUNT THE FUSE-HOLDER DIRECTLY ON TOP OF THE TRANSFORMER. THE SCREW WILL GO THRU THE FUSE-HOLDER, THRU THE MOUNTING BRACKET AND INTO THE TRANSFORMER MOUNTING TAB.

STEP 2

FUSE-HOLDER CONNECTIONS



CONNECT THE LEADS PROVIDED TO ONE SIDE OF EACH OF THE CLASS H/K FUSE-HOLDERS AND TO THE DESIRED TRANSFORMER TERMINAL OR EXTERNAL DEVICE TO BE FUSED.

NOTE: FOR SERIES MULTIPLE PRIMARIES OR SECONDARIES, MAKE THE APPROPRIATE INTER CONNECTION(S) (I.E. SERIES OR MULTIPLE) AS USUAL.

CAUTION: ADDITIONAL SECONDARY FUSES WILL BE REQUIRED IF THERE IS MORE THAN ONE UNGROUNDED CONDUCTOR IN THE CIRCUIT (PER NEC 240 -20)

STEP 3