

# Astro Nova City Astronomic Time Switch

## Key Features

- Astronomic or 'Fixed Time' operation
- 2 Independent programmable outputs
- 22 Programmable steps
- 29 UK cities pre-programmed
- Automatic GMT/BST adjustment
- 4 Year lithium-ion battery back-up
- Suitable for use with LED, halogen or discharge lighting

## Applications

- Roadway lighting
- Private, local authority street and residential area lighting
- Lighting control panels
- Security floodlighting
- Industrial, retail and commercial lighting

**The Astro Nova City astronomic time switch is perfect for lighting control applications where switching to a fixed time or astronomic time schedule is required.**

Highly accurate, the Astro Nova City astronomic time switch is easy to programme, with timing for 29 UK cities pre-programmed, Part Night functionality and automatic GMT/BST adjustment included, to ensure lamp activation in line with specific customer and location requirements.

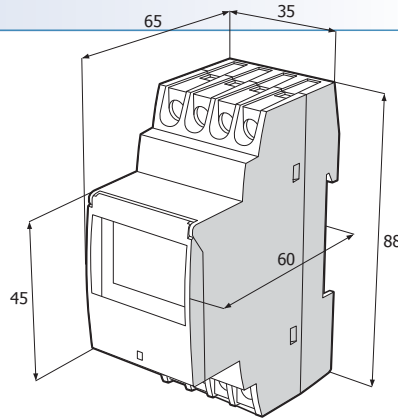
The astronomic time switch incorporates a DIN mount for simple installation, and all components are housed within a highly durable casing, making the Astro Nova City impact-proof and virtually maintenance free.

## Astro Nova City Astronomic Time Switch

### Technical Specification

Specification	Description
Accuracy	< +/-1 Second/day at 23 °C
Operational modes	Astronomic and Fixed Time schedule
Operating voltage range	220-265 Vac, 50/60 Hz
Power consumption	< 1.0 W
Operating temperature range	-10 °C to +45 °C
Outputs	2 x independent outputs
Memory points	22
Mounting	35 mm DIN (to EN 60715)
Ingress protection	IP20
Switching capability	2 x 16 A resistive, 2 x 10 A inductive, 250 Vac
Max direct load	incandescent 3000 W halogen 2500 W fluorescent 1200 W
Approvals	RoHS compliant. CE marked and compliant with EMC emission and immunity standards Designed to meet the requirements for UMSUG code 91 0002 0000 100
Dimensions L x W x D	65 x 35 x 88 mm

For product order codes or to discuss project requirements, please contact Thomas & Betts or your local representative.



Royce Thompson is the leading photo-electronic lighting controls brand from Thomas & Betts, supporting the street and amenity lighting industry since 1963.

Continuous focus on the provision of high quality, innovative products to the market ensures Royce Thompson photocells offer the best in low energy consumption, reliability and long life - helping you, the customer, achieve optimum performance whilst keeping your carbon footprint to a minimum.



### Product selection

Product	Astro Nova City
Description	Astronomic time switch

Individual product order codes subject to final product specification. Codes can be supplied on request from Thomas & Betts. To discuss project requirements, please contact your local representative or Thomas & Betts on (0)113 281 0600.

Warranty of all Royce Thompson products is subject to the standard Thomas & Betts terms & conditions of sale.



FM09470

### Thomas & Betts Ltd

Royce Thompson  
Bruntcliffe Lane  
Leeds  
West Yorkshire LS27 9LL

Tel: +44 (0)113 281 0600  
Fax: +44 (0)113 281 0611  
roycethompson@tnb.com  
www.roycethompson.com