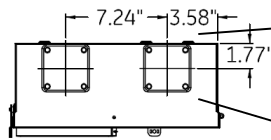
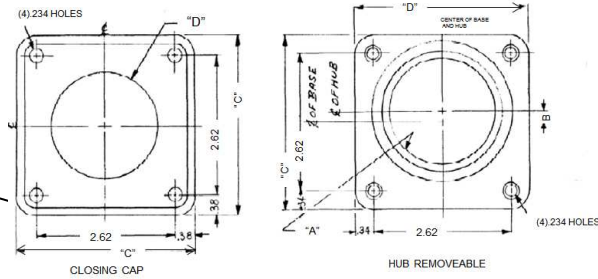


Top View



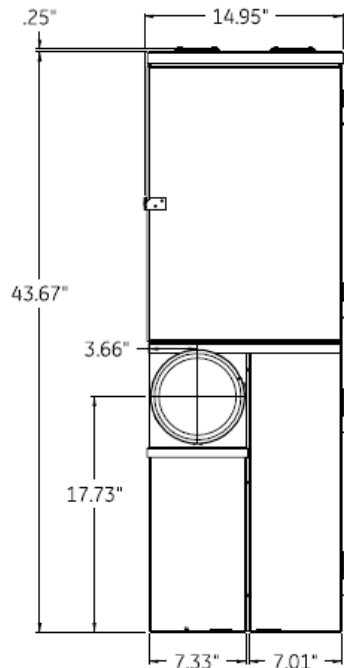
Hub Dimensions



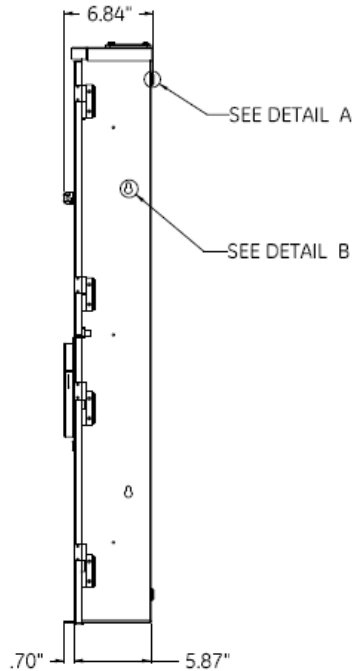
Available Hubs

CAT. No.	MOD. No.	"A"-THD.	"C"	"E"	"F"	
TC 75	2	1/4 - 14	.81	3.31	NONE	FOR RAINTIGHT DEVICES WITH CAT. NO. ENDING IN RH
TC 100	2	1 - 11 1/4	.89			
TC 125	2	1 1/4 - 11 1/4	.53			
TC 150	2	1 1/4 - 11 1/4	.42			
TC 200	2	2 - 11 1/4	.20			
TC 250	2	2 1/4 - 8	NONE			
TCOP CLOSING CAP	1	NONE	NONE	3.38		
TCOP15 BUSHING PLATE	1	NONE	NONE	3.38	2000	FOR UNDERGROUND METER SOCKET LOAD CENTERS
TCOP20 BUSHING PLATE	1	NONE	NONE	3.38	2500	

Front View

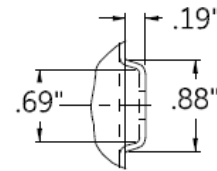


Side View

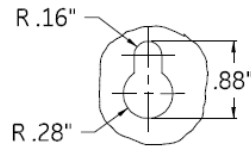


Main Wire Size

CU: # 1 - 300MCM
AL: 2/0 - 300MCM



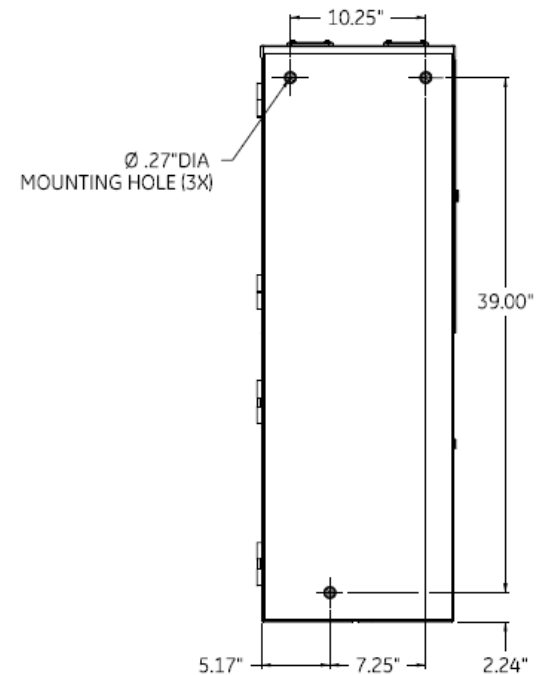
Detail A



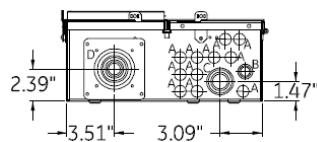
Detail B

Side Mounting Hole (4X)

Back View



Bottom View



ALL DIMENSIONS HAVE +/- .125 TOLERANCE

SYMBOL	SIZE	QTY.
A	1/2 KO	11
B	3/8 X 1/2 X 3/4 KO	1
C	3/4 X 1 X 1 1/4 X 1 1/2 KO	1
D	1/2 X 3/4 X 1 X 1 1/4 X 1 1/2 X 2 X 2 1/2 KO	1



imagination at work

Main Breaker THQMV - Ring - 225A 22K - 20/40 Circuits - N3R
Encl - Surface Front - UG Incoming Feed - EUSERC Listed

CAT NO	DWG DATE	REV #
TSM2022USCU	6/4/2015	01