

SACE Emax 2

Terminali posteriori orizzontali divaricati SHR - E2.2-E4.2

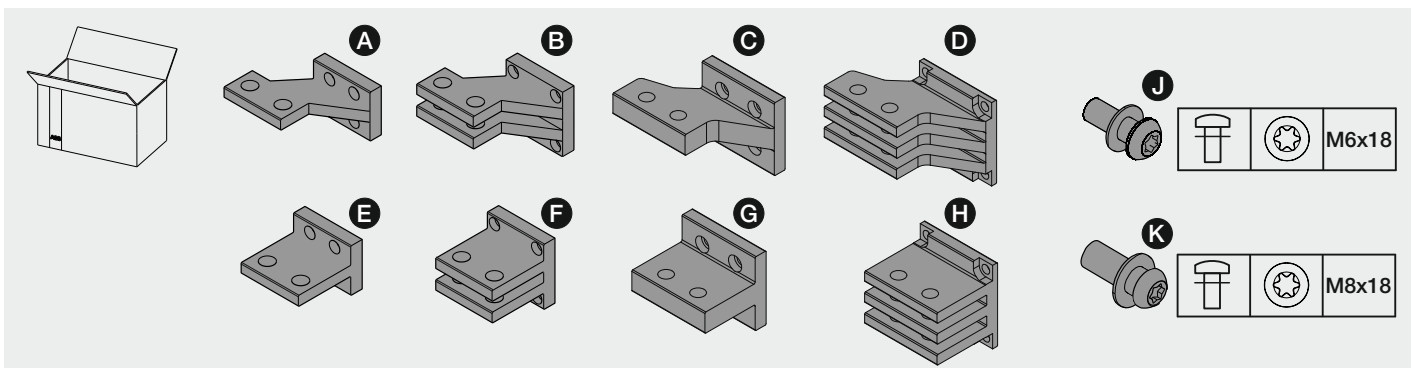
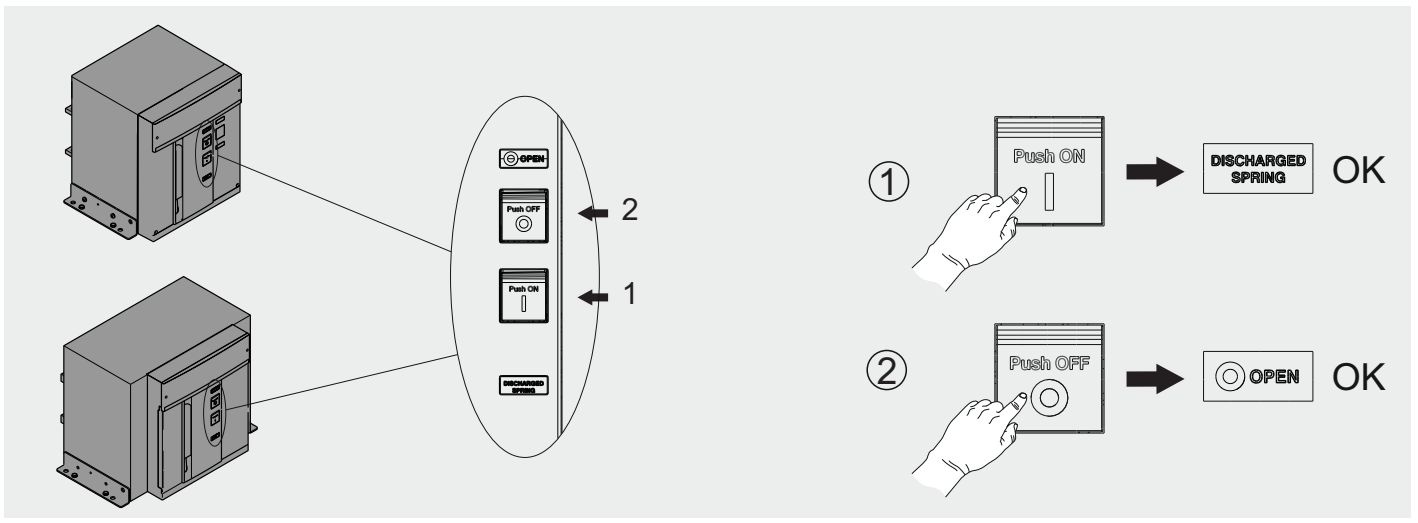
Spread horizontal rear terminals SHR - E2.2-E4.2

V-förmige rückseitige horizontale Anschlüsse SHR - E2.2-E4.2

Prises arrière horizontales épanouies SHR - E2.2-E4.2

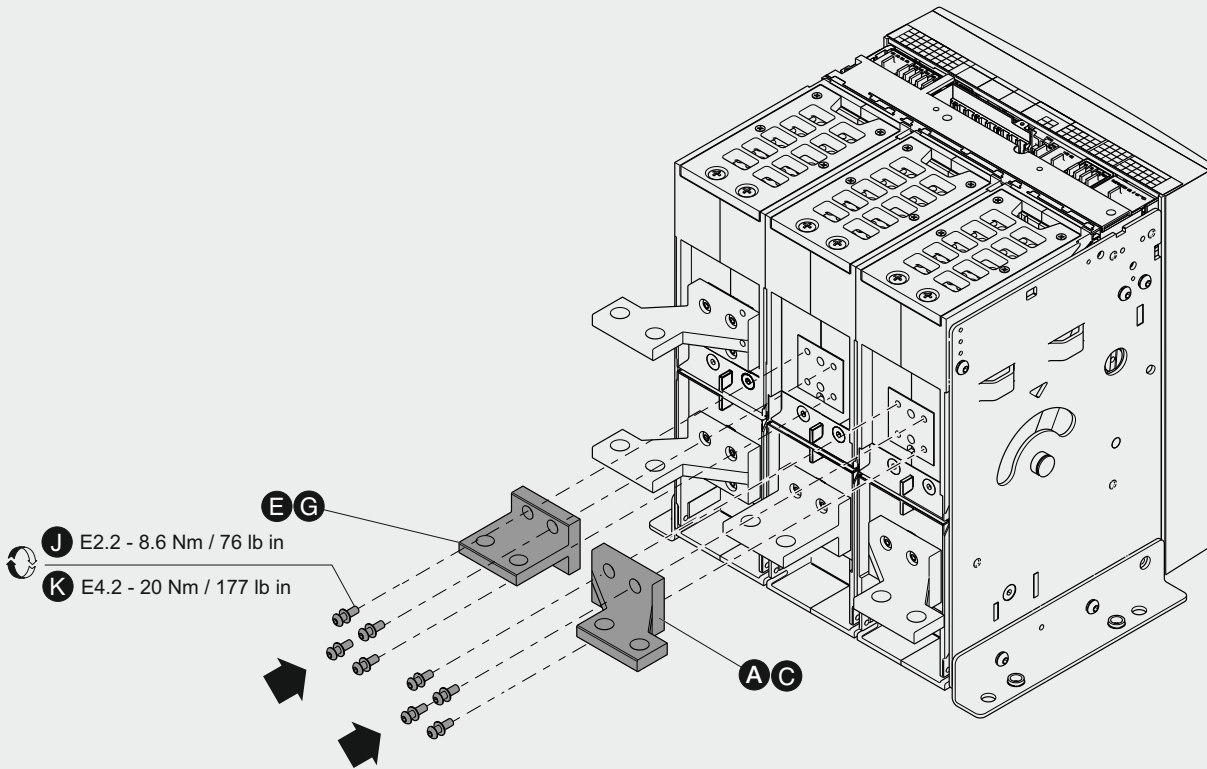
Terminales posteriores horizontales separados - SHR - E2.2-E4.2

E2.2 - E4.2

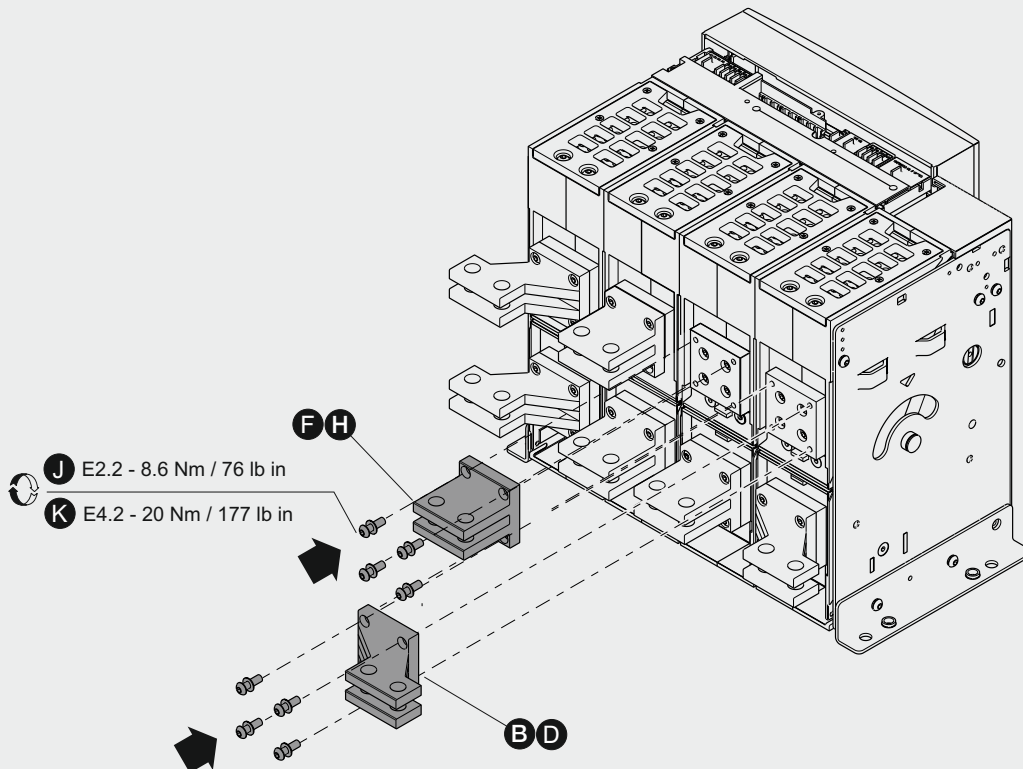


		A		B		C		D		E		F		G		H		J		K	
		3P	4P	3P	4P	3P	4P	3P	4P	3P	4P	3P	4P	3P	4P	3P	4P	3P	4P	3P	4P
E2.2	F	2000 A	2	2						1	2							12	16		
	W	2500 A			2	2						1	2					12	16		
E4.2	F	3200 A				2	2							1	2					12	16
	W	4000 A						2	2							1	2			12	16

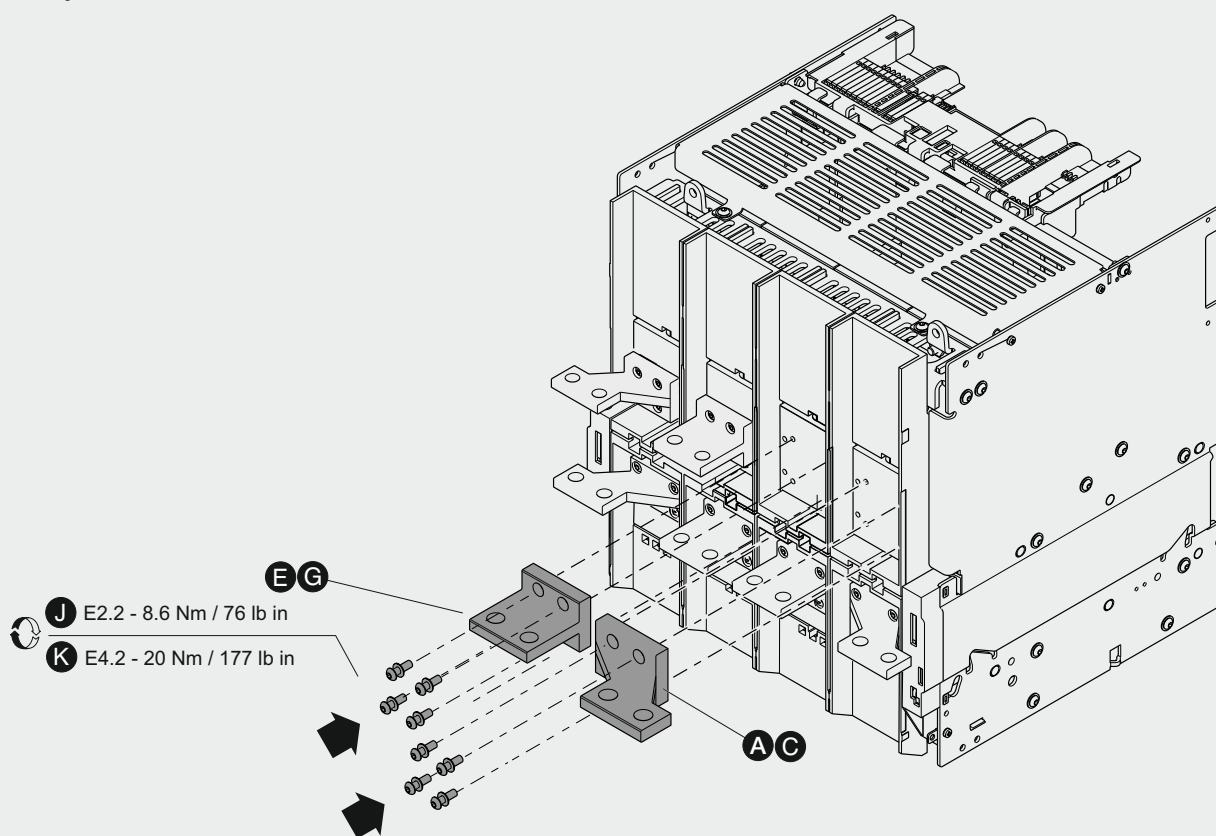
Example with E2.2 2000A 3P



Example with E2.2 2500A 4P



Example with E2.2 2000A 4P



Example with E2.2 2500A 4P

