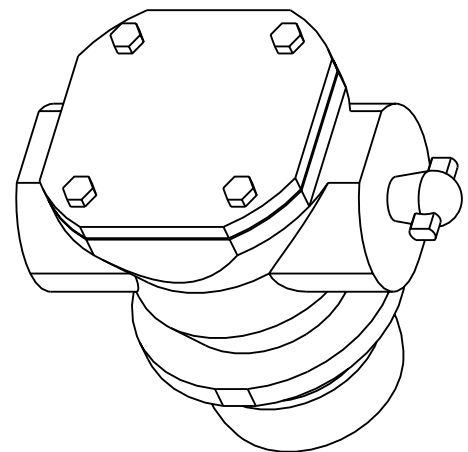
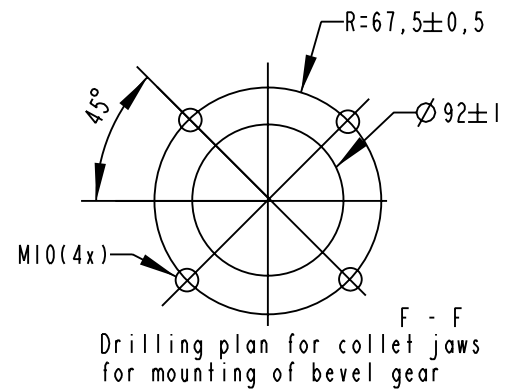
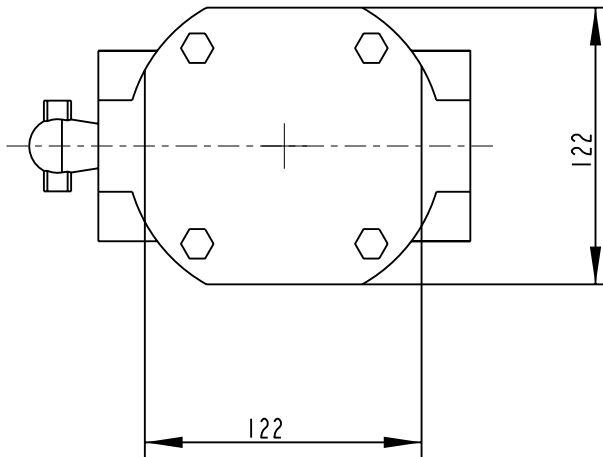
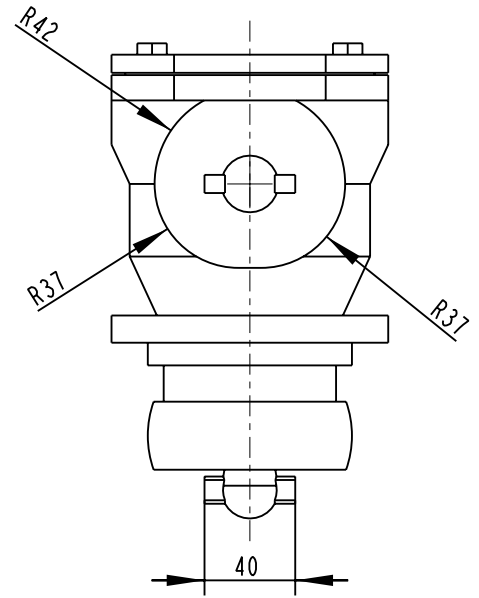
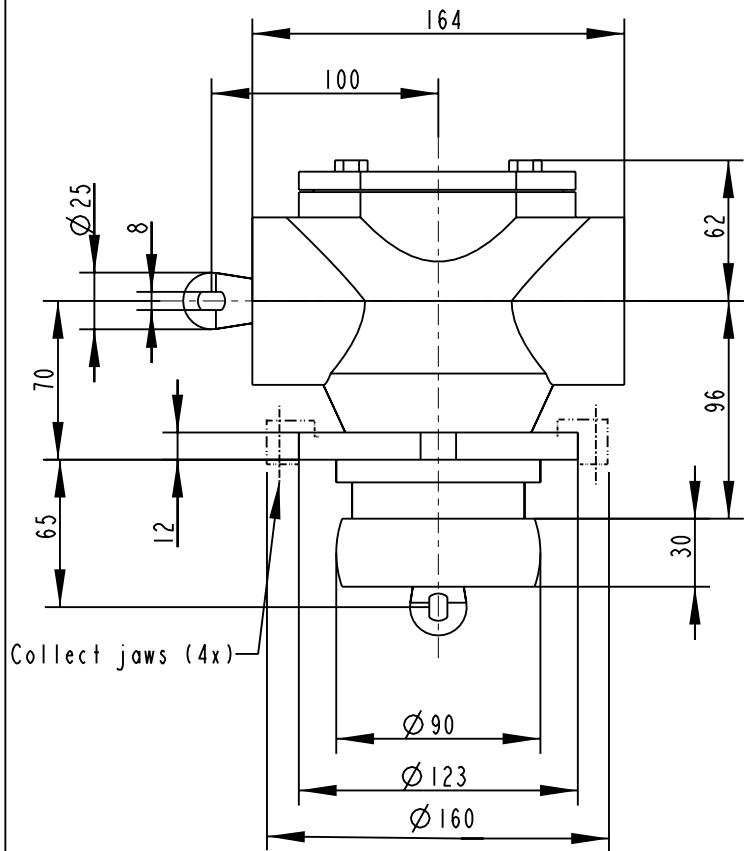


We reserve all rights in this document and in the information contained therein. Reproduction, use or disclosure to third parties without express authority is strictly forbidden. ©ABB



Inspection engineering review

Production engineering review

Design engineering review

Based on	Reg. No.	Title BEVEL GEAR	
Prepared B Hultgren 96-05-20	Responsible department COM/TK		
Approved M Eriksson	Take over department	Document No. 54920083-1	Language en
Revision	Database DIMENSION_DWGS		Page 1(1)
ABB ABB Components			