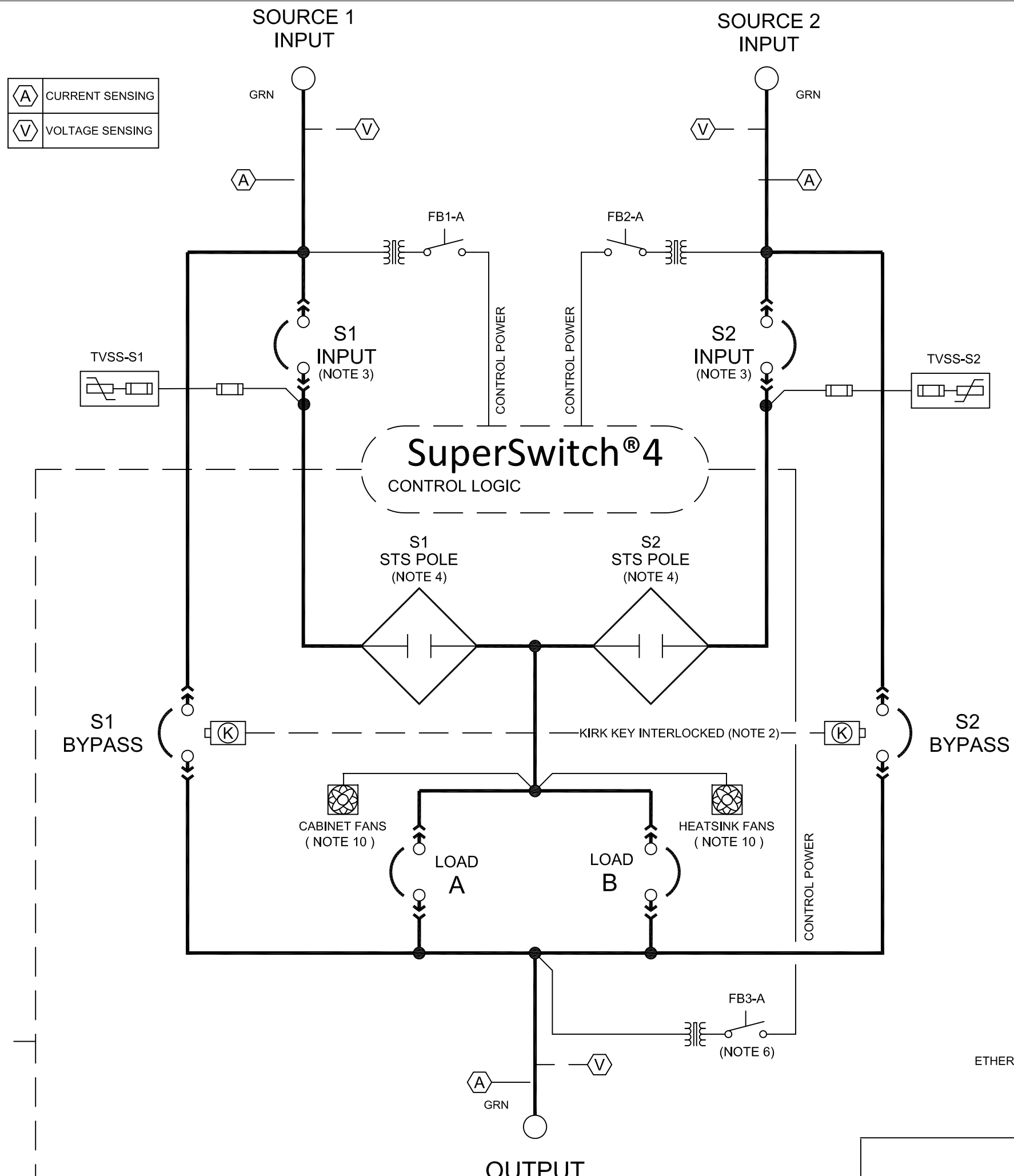
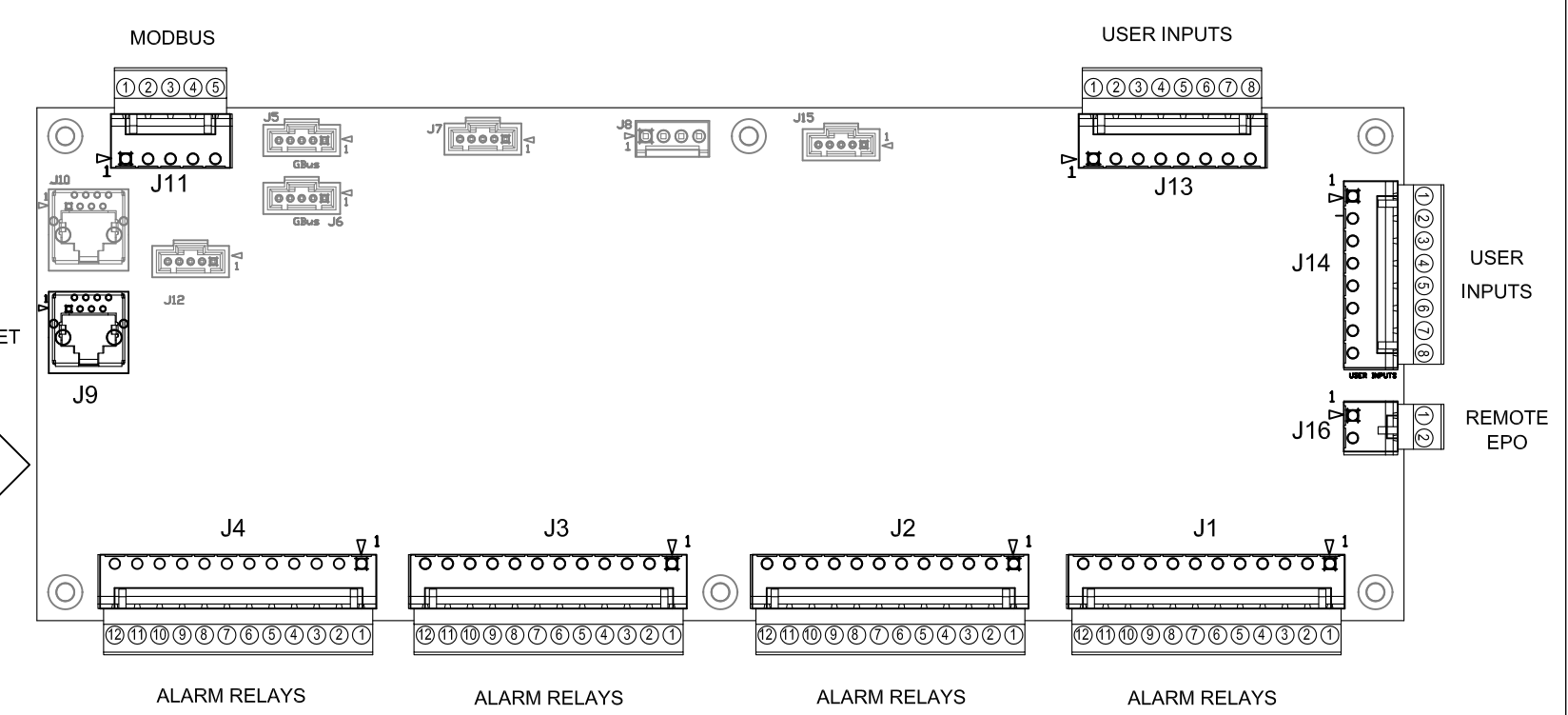


We reserve all rights in this document and in the information contained therein. Reproduction, use or disclosure to third parties without express authority is strictly forbidden. © Copyright 2014 ABB.

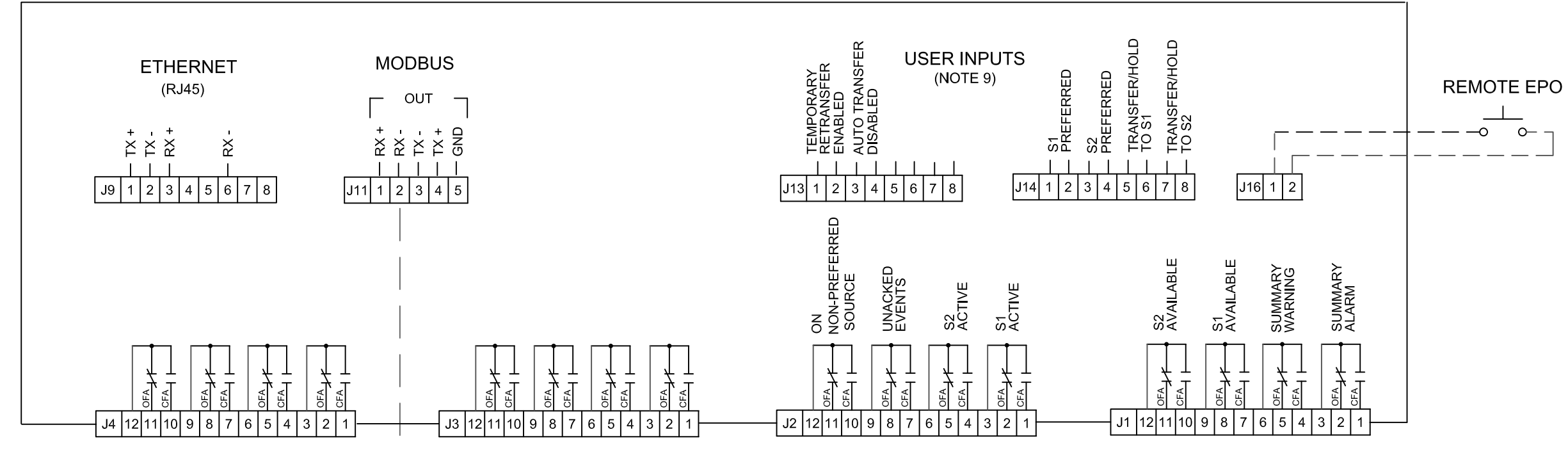


- BOTH SOURCES MUST BE IN PHASE WITHIN $\pm 15^\circ$ (FACTORY DEFAULT, THE PHASE WINDOW IS ADJUSTABLE BY USER) TO ENABLE TRANSFERS. PHASE SEQUENCE IS SET-UP TO BE A-B-C FOR BOTH SOURCES.
- 2 KIRK KEY INTERLOCK: SOURCE 1 & SOURCE 2 BYPASS BREAKERS ARE INTERLOCKED. KIRK KEY REMOVABLE WHEN BREAKER IS LOCKED IN 'OFF' POSITION.
- SOURCE 1 & SOURCE 2 INPUT BREAKERS WILL SHUNT TRIP DUE TO SCR SHORTED FAILURE.
- SCR'S OF BOTH POLES ARE MONITORED FOR FAILURES, SHORTED AND OPEN (CONTINUITY MONITOR) CONDITIONS ARE ALARMED WITH APPROPRIATE AUTOMATIC ACTION.
- WHEN SOURCE NEUTRALS ARE BROUGHT TO STS, CONNECTION TO OUTPUT IS SOLID (UN-SWITCHED).
- FUSE (FB3-A) POWERS THE LOGIC WHILE IN BYPASS. FOLLOW OPERATING INSTRUCTIONS FULLY.
- OPTIONAL LOCAL "EMERGENCY POWER OFF" PUSHBUTTON WILL SHUNT TRIP SOURCE 1 AND SOURCE 2 INPUT AND BYPASS BREAKERS.
- ALARM RELAY CONTACTS RATED 2 AMPS @ 120 VAC OR 28 VDC. CFA = CLOSED FOR ALARM, OFA = OPEN FOR ALARM
- FOR "USER INTERFACE BOARD" LOCATION REFER TO THE OUTLINE DRAWING.
NOTE: EXTERNAL CONTACTS WILL OVERRIDE CERTAIN LCD SCREEN CHOICES DEPENDING ON OPERATOR INPUTS TO THE "LCD SCREEN CONFIGURATION" SCREEN (MENU > OPTIONS > SYSTEM) IN REMOTE I/O BOX OF THAT SCREEN.
IF THE REMOTE I/O CONTACTS BOX IS CHECKED IN THE SYSTEM CONFIG SCREEN, THEN CONNECTOR J-14 PIN 1-2 AND PIN 3-4 WILL CONTROL THE PREFERRED SOURCE. IF PIN 1-2 IS CLOSED AND 3-4 IS OPEN, THEN PREFERRED SOURCE = SOURCE 1 PREFERRED. IF 1-2 IS OPEN AND 3-4 IS CLOSED, THEN PREFERRED SOURCE = SOURCE 2 PREFERRED.
IF THE AUTO TRANSFER BOX IN THE SYSTEM CONFIG SCREEN IS CHECKED, THEN CONNECTOR J-13, PIN 3-4 WILL CONTROL THE AUTO TRANSFER FUNCTION. IF PIN 3-4 IS CLOSED THE SWITCH IS IN AUTO TRANSFER. IF PIN 3-4 IS OPEN THE SWITCH'S AUTO TRANSFER MODE IS OFF.
IF EITHER THE REMOTE I/O CONTACTS BOX OR THE AUTO TRANSFER BOX IS UNCHECKED IN THE SYSTEM CONFIG SCREEN, THE CONTROL OF THAT FUNCTION REMAINS WITH THE LCD SCREEN.
- 200A AND BELOW UNITS DO NOT HAVE FANS.
400A TO 600A UNITS HAVE 4 CABINET FANS
800A TO 1000A UNITS HAVE 3 CABINET FANS
1200A UNITS HAVE 3 CABINET FANS AND 3 HEATSINK FANS

USER INTERFACE BOARD (PHYSICAL LAYOUT)

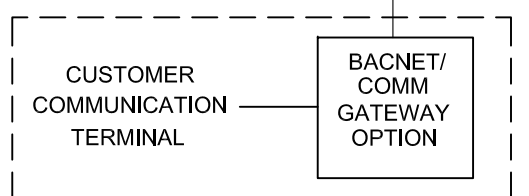


USER INTERFACE BOARD (NOTE 9)



ALARM RELAYS (NOTE 8)
NOTE: TERMINAL BLOCKS UNPLUG TO ASSIST IN CONNECTING THE WIRES

Material N/A	Finish N/A	Prepared SZ	Title SS4 DSTS SYSTEM ONE LINE DIAGRAM
Tolerance X.XX = ± 0.03 X.XXX = ± 0.015	Unless Otherwise Specified: Inside bend radius .030 max. Remove all burrs and sharp edges. Part must comply with company document 94-10-00001. Interpret drawing in accordance with ASME Y14.5-2009.	Approved SZ	Document Kind ONE LINE DIAGRAM
Hole \varnothing = ± 0.005 Angle = $\pm 1/2^\circ$	Division/Dept. DMPC/Power Protection	ABB	



A00	--	ABC	Initial release	09/22/2015
Rev.	ECN#	Resp.	Description	Date
Revision Table				
Units	Inch	Sheet Size	C	Scale
Item ID	94-9100-00000009	Item Rev.	A00	Date Drawn
Document ID	ONE-00089342	Doc. Rev.	A00	Page
				1 / 1