



**DEH-41668 Installation Instructions**  
**EntelliGuard® G Circuit Breaker**  
**Accessories**  
**Gas Channel Assembly**

**GAS CHANNEL:**

Gas channels are supplied with the Envelope 3-200kA cassette. In cases where it needs the field replacement, they are supplied as spares.

 **WARNING:** Before installing any accessories, turn the breaker OFF, disconnect it from all voltage sources, and discharge the closing springs.

 **AVERTISSEMENT:** Avant d'installer tout accessoire, mettre le disjoncteur en position OFF, le déconnecter de toute tension d'alimentation, et décharger les ressorts d'armement

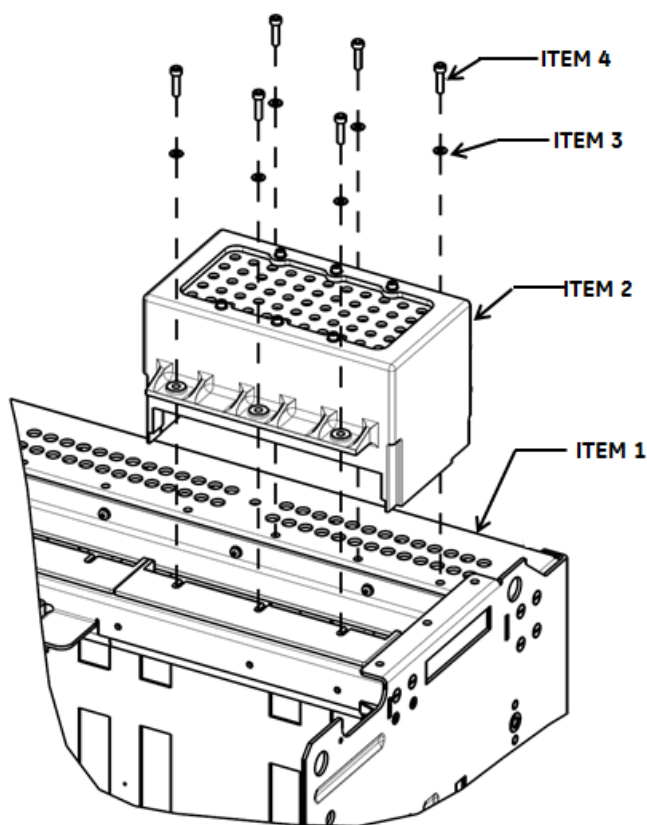


Figure A

Envelope Size	Catalog #
Envelope 3-200kA	GAGCK

**Gas channel assembly removal & inspection:**

- 1 Turn the breaker off and discharge the closing springs by depressing the OFF and

ON buttons in the sequence OFF-ON-OFF. Verify that the breaker OFF-ON indicator shows OFF on a green background and that the charge indicator shows DISCHARGE on a white background. If installing in a draw-out type breaker remove breaker from adaptor (cassette) before continuing.

- 2 The breaker should be safely isolated and fully removed from the cassette (for drawout breaker)
- 3 Install/Remove the gas channel assembly by tightening/loosening six M5 mounting screws to torque of 5-6Nm as shown in figure A

These instructions do not cover all details or variations in equipment nor do they provide for every possible contingency that may be met in connection with installation, operation, or maintenance. Should further information be desired or should particular problems arise that are not covered sufficiently for the purchaser's purposes, the matter should be referred to the ABB Inc.

—  
**ABB Inc.**  
305 Gregson Drive  
Cary, NC 27511.  
electrification.us.abb.com

—  
We reserve the right to make technical changes or modify the contents of this document without prior notice. With regard to purchase orders, the agreed particulars shall prevail. ABB Inc. does not accept any responsibility whatsoever for potential errors or possible lack of information in this document.

We reserve all rights in this document and in the subject matter and illustrations contained therein. Any reproduction or utilization of its contents – in whole or in parts – is forbidden without prior written consent of ABB Inc.  
Copyright© 2019 ABB  
All rights reserved