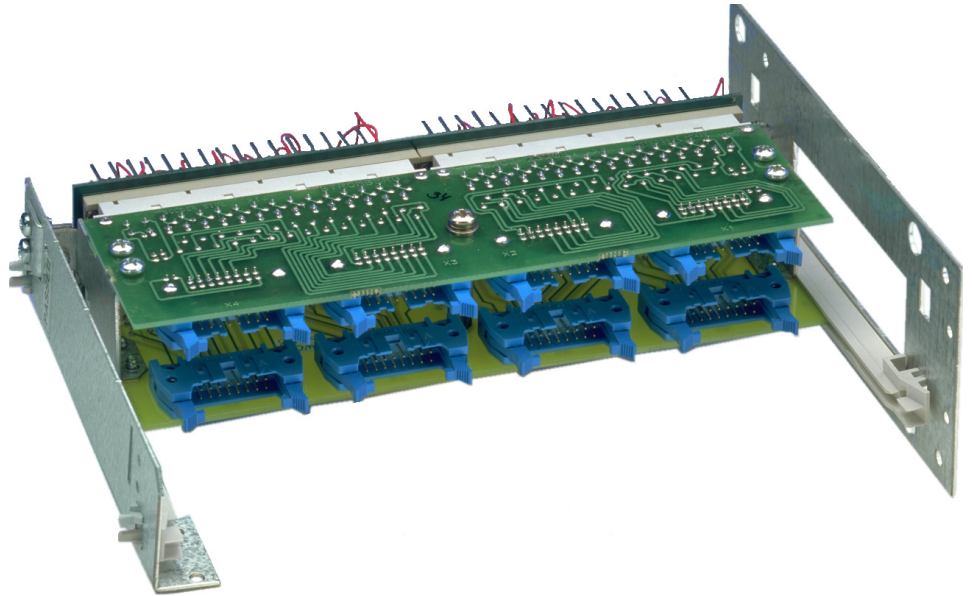


Product Guide



Features

- Module for grouping of realarm signals from SACO annunciators
- 64 incoming signals and 64 outgoing signals
- Easy signal grouping by pre-manufactured programming wires
- No tools needed for signal grouping
- 16 signal snap-on flat cable connection to annunciator units and relay units
- No auxiliary supply needed
- Member of the SPACOM product family and ABB's Distribution Automation system
- CE marking according to the EC directive for EMC

Application

The signal grouping module is used in association with SACO annunciator subracks and the relay subrack SACO 128R4 when a relatively large number of realarm signals from the annunciator subracks need to be grouped to form group alarms to be routed to the relay subrack.

Design

The signal grouping module comprises eight flat cable connectors and a pin matrix for grouping purposes, mounted on a PC board attached to an aluminium front plate. The grouping module is intended to be mounted between the annunciator subrack from which the signals are obtained and the relay subrack to which the grouped signals are to be routed. The height of the grouping unit is 1U (~44 mm).

The signals from the annunciator subracks are linked to the grouping module and further to the relay subrack by means of standard flat cables type SWIR. Each flat cable transfers 16 signals. Pre-manufactured grouping wires

are used for grouping the incoming signals. The grouping wires are provided with slip-on connectors in both ends. The connectors are slipped on the grouping pins by connecting the signals which are to form a group. No special tools are needed for forming group signals. Alternatively, the signals can be grouped using the wire-wrap technique, in which case a special wire-wrap tool is needed.

Auxiliary supply voltage

No separate auxiliary supply is needed for the grouping unit.

Technical data

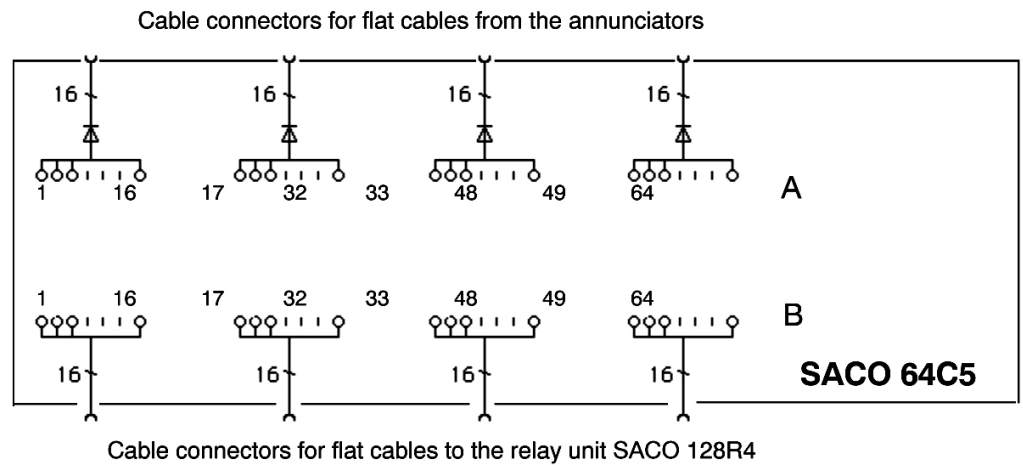
Table 1: General

Capacity per unit	incoming signals	64
	outgoing signals	64
Height of unit	1U (~45 mm)	
Grouping wire set (included in delivery: 65 wires, length 75 mm, 5 wires, length 150 mm, 5 wires, length 200 mm)	SWIR 39	

Table 2: Tests and standards

Environmental conditions	Ambient service temperature range	-10...+55°C
	Long term damp heat withstand (IEC 60068-2-3)	<95%, +40°C, 56 d/a
	Ambient transport and storage temperature range	-40...+70°C
	Weight	~0.5 kg

Block diagram

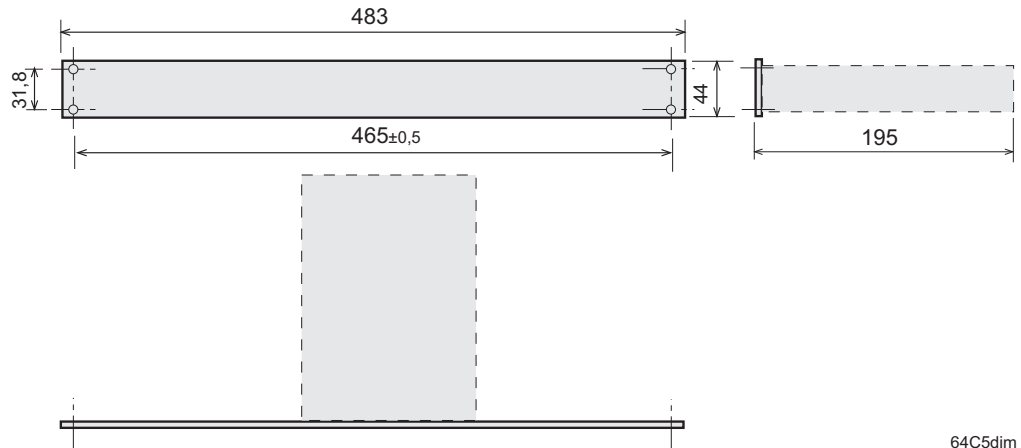


saco64c5_block

Fig. 1 Block diagram

Mounting and dimensions

Flush mounting



64C5dim

Fig. 2 Dimensions (in mm) and panel cut-out for flush mounting

The annunciator can also be flush mounted in doors and panels. The relevant panel cut-out and drilling pattern for the fixing screws are illustrated above.

Ordering

When ordering, please specify:

Ordering information	Ordering example
1. Type designation and quantity	SACO 64C5B, 5 pieces
2. Order number	RS 813 064-AA
3. Special requirements	-

Order numbers

Grouping module SACO 64C5B, incl. one set of programming wires SWIR 39	RS 813 064-AA
Grouping wire set SWIR 39	RS 962 043-AA

References

Additional information

User's manual "Relay subrack SACO 128R4, Grouping module SACO 64C5"	1MRS755112
---	------------



ABB Oy
Distribution Automation
P.O. Box 699
FI-65101 Vaasa, FINLAND
Tel +358 10 22 11
Fax +358 10 224 1094
www.abb.com/substationautomation