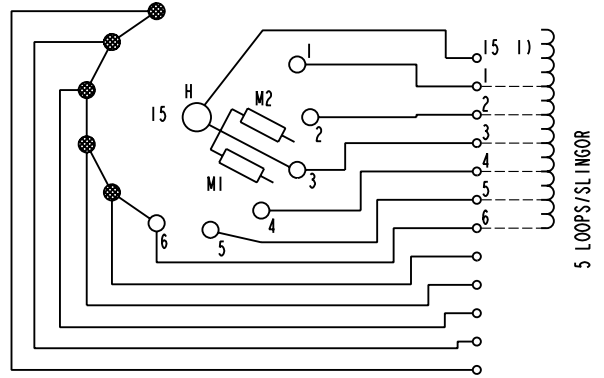


We reserve all rights in this document and in the information contained therein. Reproduction, use or disclosure to third parties without express authority is strictly forbidden. © ABB 19

Pos. Läge	H connects H förbinder
1	1 - 15
2	2 - 15
3	3 - 15
4	4 - 15
5	5 - 15
6	6 - 15

On-load tap-changer type UZEL., UZFL., 6 tap positions, linear switching.
Min. effective No. of turns in pos. 1.
The tap-changer is delivered set in pos. 3.

Lindningskopplare typ UZEL., UZFL., 6 lägen, linjär koppling.
Min. antal effektiva varv i läge 1.
Lindningskopplaren levereras inställd i läge 3.



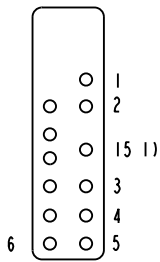
The tap-changer is shown in pos. 3
Lindningskopplaren visad i läge 3

H Main contact M1, M2 Transition contacts
Huvudkontakt Motståndskontakter

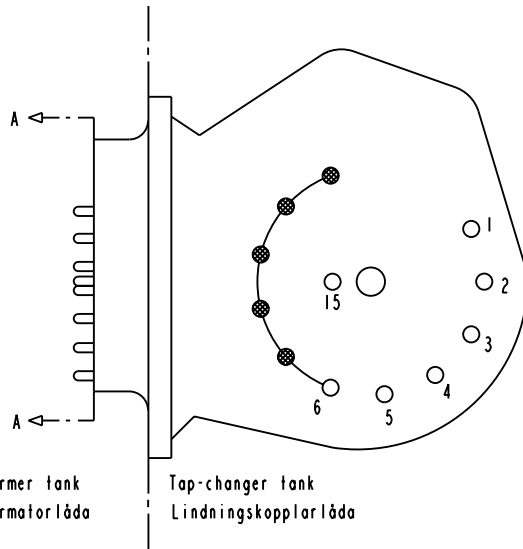
1) Connections between the terminals 15 of the three phases are included in the star-point type.

Förbindningar mellan uttag 15 i de tre faserna ingår i nollpunktsutförandet.

Terminal board
Plint



Section A-A
Sektion A-A



Transformer tank
Transformatorlåda

Tap-changer tank
Lindningskopplarlåda

Sheet	Cont	Year	Week	Dept	Rev	In	Revision	Appd	Year	Week	Description (English)	DATA		
											Accepted by qual control R. Yngvesson	Accepted for prod by	DESCRIPTION (English) CONNECTION DIAGRAM	ORIGINAL
											Design checked by B-O. Stenestam	Drawn by L. Bergman	DESCRIPTION (own language) KOPPLINGSSCHEMA	File name 0396-2
											Drawing checked by M. Hedlund	Issued by Dept Year Week COM/TKO 97 33	Lang	Sheet
													Rev	Cont
												Asea Brown Boveri		
<p style="font-size: 2em; text-align: center;">5492 0396-2</p>														