

KOR-11E

High accuracy outdoor metering current transformer



The KOR-11E high accuracy outdoor current transformer is designed for metering and relaying on outdoor 15 kV circuits and is available in single and dual ratio designs.

Product features

- 15 kV outdoor
- 110 kV BIL, 60 Hertz
- Electrical clearances:
Strike: 10.8" (274 mm); Creep: 20.8" (528 mm)
- Approximate weight: 67 lbs. (30 kg)

Application

The KOR-11E high accuracy, extended range outdoor current transformer is used for metering and relaying on outdoor 15 kV circuits and is available in single and dual ratio designs. Dual ratio designs are accomplished by tapping the secondary winding.

Construction features

Primary and secondary windings are assembled around a toroidal core and attached to a support frame. For insulation and protection, the assembly is cast in hydrophobic cycloaliphatic epoxy (HCEP) using automatic pressure gelation. The HCEP material offers superior arc track, ozone, and ultraviolet-resistive properties while maintaining physical strength. The hydrophobic surface properties of HCEP ensure highly reliable performance in wet, humid, or polluted environments.

High accuracy

ABB's standard high accuracy design meets the IEEE 0.15 accuracy class and delivers high accuracy and

stable performance over a wide load swing, making it a great fit for variable load applications. Accuracy is guaranteed to be +/- 0.3% from 5% of nominal current to nominal current and +/- 0.15% from nominal current through rating factor. ABB's standard high accuracy units deliver savings through improved accuracy metering and reduced inventory.

Class 0.15 enhanced revenue grade



Class 0.3 revenue grade



Terminals

Primary terminals are electro-tin plated copper. Secondary terminals are clamp-type and accommodate #14 to #1 wire. Terminal screws are slotted-head type.

Junction box

The junction box has a 1" diameter conduit entrance from three directions and is removable for simplified changeout.

Baseplate

The base is constructed of corrosion-resistant aluminum and is secured to the encapsulated base support.

Mounting

The KOR-11E can be mounted in upright, cantilever, or upside-down positions. Stress relief devices should be used to support cable connections.

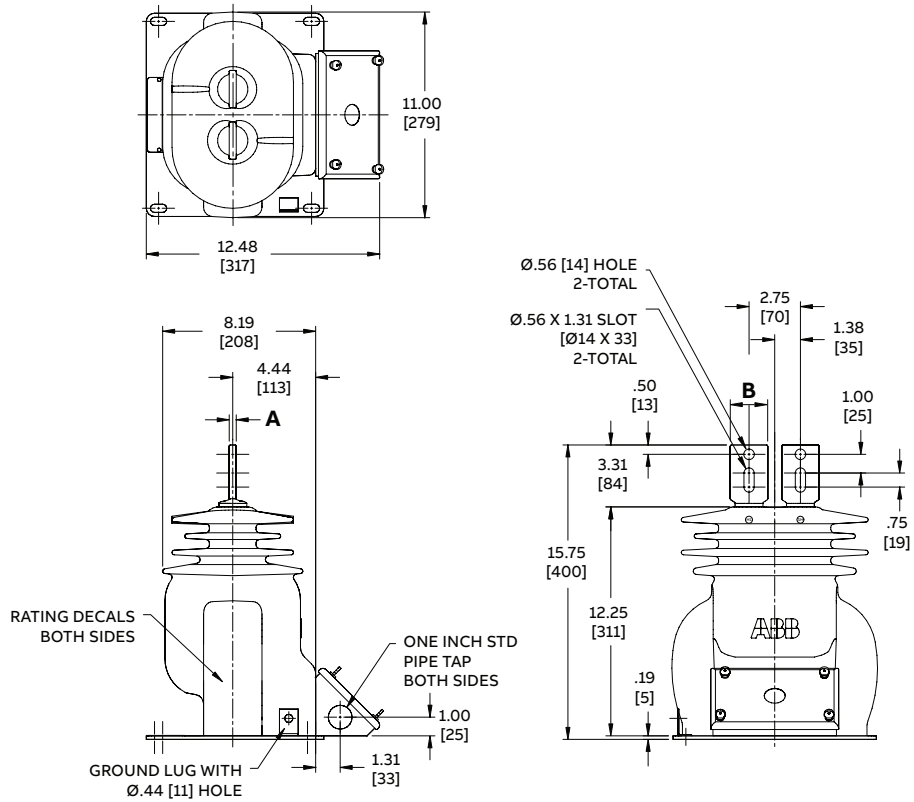
Standards

This unit meets or exceeds all requirements of IEEE C57.13-2016 and can be tested to other standards as requested.

Test reports

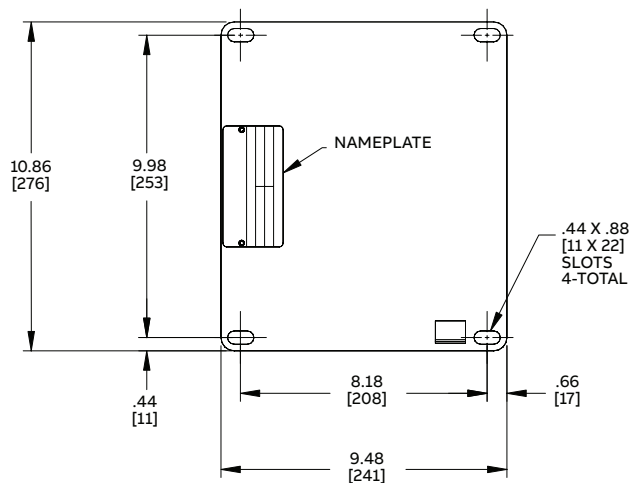
Test reports are stored electronically and can be e-mailed in various formats at the time of shipment.

Dimensions (inches [mm])



Bar dimensions

Primary ampere rating	A		B	
	(in)	(mm)	(in)	(mm)
5 - 1200	0.375	10	2.0	51



Selection guide						
Primary ampere rating	Rating factor @ 30° C	IEEE metering accuracy	IEEE relay accuracy	Thermal rating*	Mechanical rating*	Style number
5	1.5	0.15B-0.5/0.3B-1.8	T200	100	270	E-7881A92G01
10	1.5	0.15B-0.5/0.3B-1.8	T200	100	270	E-7881A92G02
15	1.5	0.15B-0.5/0.3B-1.8	T200	100	270	E-7881A92G03
20	1.5	0.15B-0.5/0.3B-1.8	T200	100	270	E-7881A92G04
25	1.5	0.15B-0.5/0.3B-1.8	T200	100	270	E-7881A92G05
30	1.5	0.15B-0.5/0.3B-1.8	T200	100	270	E-7881A92G06
40	1.5	0.15B-0.5/0.3B-1.8	T200	100	270	E-7881A92G07
50	1.5	0.15B-0.5/0.3B-1.8	T200	100	270	E-7881A92G08
75	1.5	0.15B-0.5/0.3B-1.8	T200	100	270	E-7881A92G09
100	1.5	0.15B-0.5/0.3B-1.8	T200	100	270	E-7881A92G10
150	1.5	0.15B-0.5/0.3B-1.8	T200	100	270	E-7881A92G11
200	1.5	0.15B-0.5/0.3B-1.8	T200	100	270	E-7881A92G12
300	1.5	0.15B-0.5/0.3B-1.8	T200	100	270	E-7881A92G13
400	1.5	0.15B-0.5/0.3B-1.8	T200	100	270	E-7881A92G14
600	1.5	0.15B-0.5/0.3B-1.8	T200	100	270	E-7881A92G15
800	1.33	0.15B-0.5/0.3B-1.8	T200	75	200	E-7881A92G16
1000	1.5	0.15B-0.5/0.3B-1.8	T150	60	160	E-7881A92G18
1200	1.5	0.15B-0.5/0.3B-1.8	T200	50	135	E-7881A92G17

Note: 50 Hz designs available

* times normal, 1 second; + times normal

Additional styles available upon request. Contact your ABB sales representative or call +1-252-827-3212 for more information.

Optional accessories	
Accessory	Style number
Vertical mounting with mounting brackets and back-up plates:	
Mounting bracket	463C035G02
Back-up plate	28D2876G01
Vertical mounting with mounting brackets and hangers:	
Mounting bracket	463C035G02
Hangers	261A233G01
Vertical mounting with channel brackets for tandem mounting of voltage and current transformers:	
Channel bracket	332B955G02
Horizontal mounting with hangers	
Hangers	261A233G01

—
ABB Inc.
3022 NC 43 North
Pinetops, NC 27864
Phone: +1 252 827 3212

abb.com/mediumvoltage

—
We reserve the right to make technical changes or modify the contents of this document without prior notice. With regard to purchase orders, the agreed particulars shall prevail. ABB does not accept any responsibility whatsoever for potential errors or possible lack of information in this document.

We reserve all rights in this document and in the subject matter and illustrations contained therein. Any reproduction, disclosure to third parties or utilization of its contents – in whole or in parts – is forbidden without prior written consent of ABB Inc. Copyright © 2019 ABB.
All rights reserved