



DEH44149

# Neutral Kit

TNK100



Hazards of electrical shock or burn! Turn off power before working inside this equipment.

### Used With:

30-100 Ampere ABB Double Throw Switches

### Introduction

This bulletin provides instructions for installing Neutral lug kit – TNK100

### Description:

This neutral kit consists of the following parts on a plastic base:

1. One (1) Neutral assembly
2. Two (2) 8-32 X 3/8" mounting screws
3. One (1) Poly propylene insulators
4. One (1) Bond strap
5. One (1) 10-32 X 1/4" Slotted screw

### Mounting Instructions:

1. Tighten mounting screws in to mounting hole in the enclosure ensuring item 3 (insulator) beneath neutral assembly Ref. Fig 1.
2. Remove item A neutral screw qty 1 & retain it. Ref. Fig 2.
3. Insert item 4 (Bond strap) in neutral assembly as shown in Fig 2 & install it using item 5 screw.
4. Reinstall item A neutral screw on other end removed in step 2.

Wire Range: 12 – 1/0 CU/AL

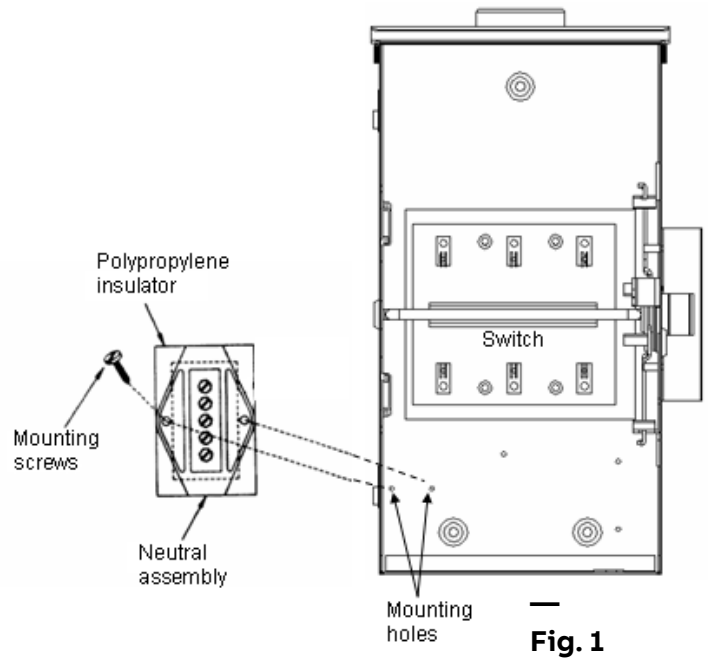


Fig. 1

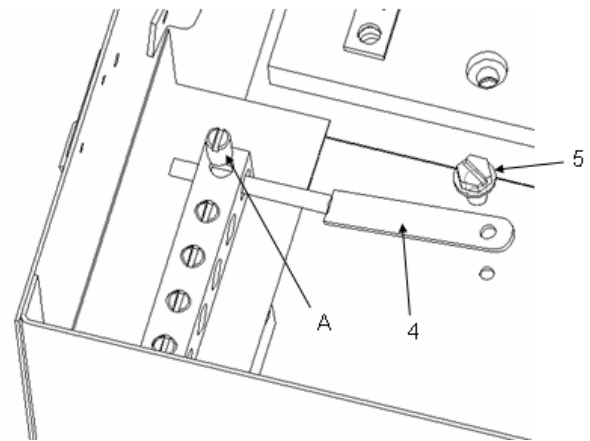


Fig. 2