

# Types VIZ-20 and VIZ-20G Indoor voltage transformers

## Product features

- 34.5 kV indoor
- 200 kV BIL, 60 Hertz
- Primary volts: 12000 - 34500

## Application

The VIZ-20 and VIZ-20G indoor voltage transformers are designed for service in metalclad switchgear and are used for metering, relaying, or control power. Both units are available in single, double, and tapped secondary designs with two accuracy and thermal rating options.

## Construction features

The primary and secondary coils are wound using special winding and shielding techniques for improved voltage stress distribution. The coils are designed to withstand continuous operation at either 1.1 or 1.25 times the line-to-line voltage level for Z burden units and the line-to-ground voltage level for Y burden units. For some line-to-ground voltage units, a short-time withstand voltage of 1.9 is available upon request.

Each coil is insulated with mylar film to provide a high dielectric strength between layers. The coils and core are combined to create a complete winding structure that is assembled to a support frame. The entire assembly is vacuum cast in polyurethane for added insulation and protection.

## Fuse classifications

These units are available in three fuse classifications: mounted fuse with hardware, unfused with hardware, or unfused without hardware.

Optional fuse kits are offered to convert unfused styles to fused styles. Consult your ABB Sales Representative concerning overvoltage conditions for designs above the standard rated voltage factor of 1.25.



## Baseplate

The baseplate is constructed of corrosion-resistant aluminum and is secured to the encapsulated base support.

## Mounting

The VIZ-20 and VIZ-20G can be mounted in upright or cantilever positions.

## Curves

Type curves are available upon request.

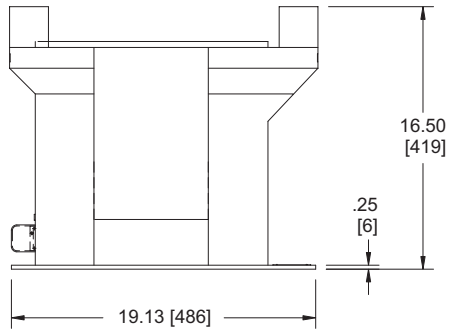
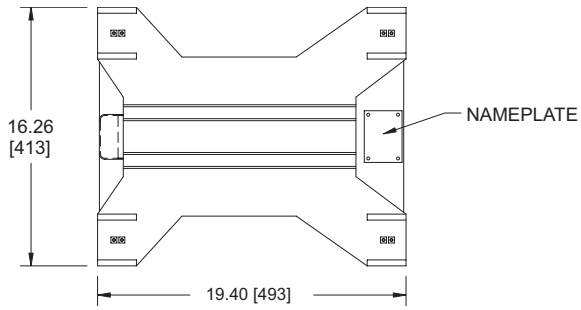
## Test reports

Test reports are stored electronically and can be e-mailed in various formats at the time of shipment.

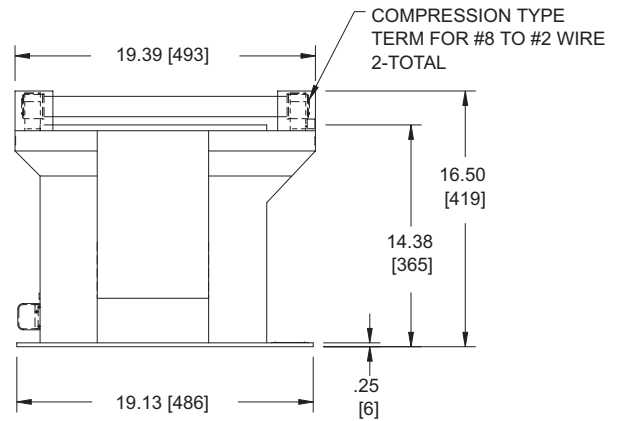
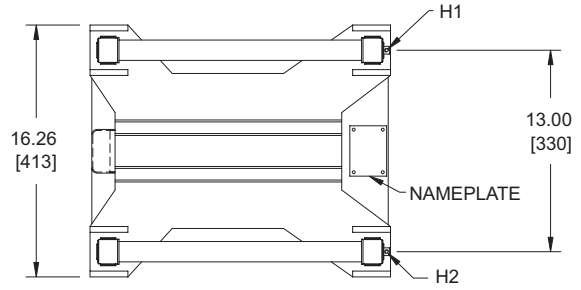
## Standards

This unit can be tested to all applicable IEEE, CSA, or IEC standards as requested.

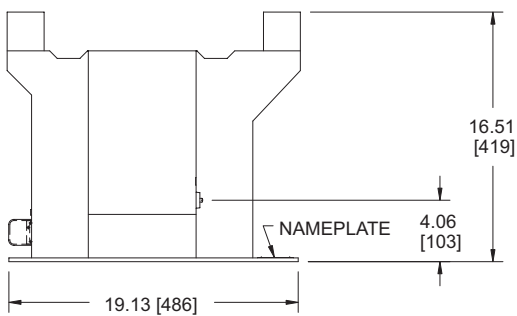
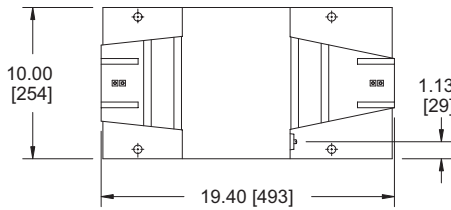
Unit dimensions



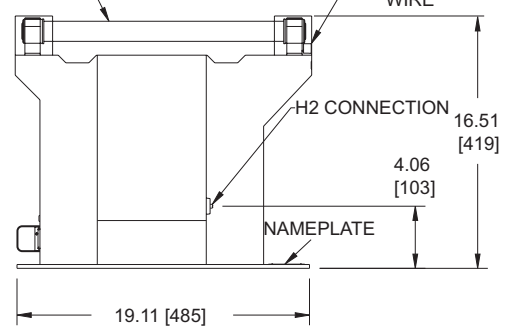
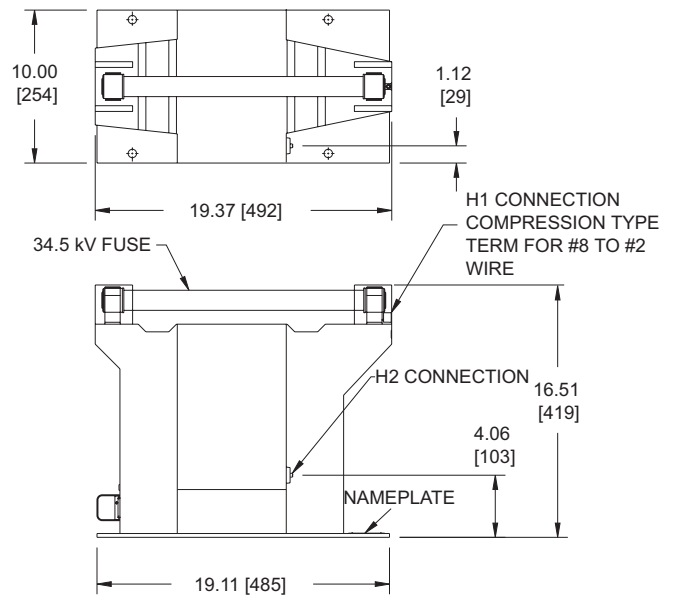
Type VIZ-20, unfused (approximate weight 161 lbs.)



Type VIZ-20, fused (approximate weight 165 lbs.)



Type VIZ-20G, unfused (approximate weight 148 lbs.)



Type VIZ-20G, fused (approximate weight 150 lbs.)

## Selection guide

Primary voltage	Secondary voltage	Winding ratio	IEEE metering accuracy		Rated voltage factor	Thermal rating (VA)		Style number
			120 volts	69.3 volts		30° C	55° C	
<b>Type VIZ-20 (unfused)</b>								
20125/34500Y	115	175:1	0.3Z	0.3Y	1.1	1000	750	7883A60G03
27600/27600Y	115	240:1	0.3Z	0.3Y	1.1	1000	750	7883A60G02
34500/34500Y	115	300:1	0.3Z	0.3Y	1.1	1000	750	7883A60G01
<b>Type VIZ-20 (fused)</b>								
18000/18000Y	120	150:1	0.3Z	0.3Y	1.1	1000	750	7883A40G09
20125/34500Y	115	175:1	0.3Z	0.3Y	1.1	1000	750	7883A40G03
24000/24000Y	120	200:1	0.3Z	0.3Y	1.1	1000	750	7883A40G05
26400/26400Y	120	220:1	0.3Z	0.3Y	1.1	1000	750	7883A40G10
27600/27600Y	120	230:1	0.3Z	0.3Y	1.1	1000	750	7883A40G04
27600/27600Y	115	240:1	0.3Z	0.3Y	1.1	1000	750	7883A40G02
34500/34500Y	115	300:1	0.3Z	0.3Y	1.1	1000	750	7883A40G01
34500/34500Y	110	313.63:1	0.3Z	0.3Y	1.1	1500	1000	7883A40G07
<b>Type VIZ-20G (unfused)</b>								
16100/27900GY	67	240:1	0.3Z	0.3Y	1.4	1000	750	7883A61G05
19942/34500GY	69	289:1	0.3Z	0.3Y	1.1	1000	750	7883A61G04
20125/34500GY	115	175:1	0.3Z	0.3Y	1.4	1000	750	7883A61G01
34500/34500GY	115	300:1	0.3Z	0.3Y	1.1	1000	750	7883A61G02
<b>Type VIZ-20G (fused)</b>								
20125/34500GY	115	175:1	0.3Z	0.3Y	1.4	1000	750	7883A41G01
24000/24000GY	120	200:1	0.3Z	0.3Y	1.4	1000	750	7883A41G05
24900/24900GY	120	207.5:1	0.3Z	0.3Y	1.1	1000	750	7883A41G08
25000/25000GY	120	208.33:1	0.3Z	0.3Y	1.1	1000	750	7883A41G06
26400/26400GY	120	220:1	0.3Z	0.3Y	1.1	1000	750	7883A41G07
27600/27600GY	115	240:1	0.3Z	0.3Y	1.1	1000	750	7883A41G10
28800/28800GY	120	240:1	0.3Z	0.3Y	1.1	1000	750	7883A41G09
34500/34500GY	115	300:1	0.3Z	0.3Y	1.1	1000	750	7883A41G02

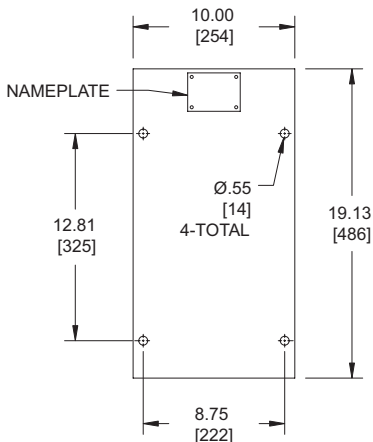
Note: 50 Hz styles available

Additional styles available upon request. Contact your ABB sales representative or call +1-252-827-3212 for more information.

## Optional accessories

Fuse kits to convert unfused VIZ-20 or VIZ-20G to fused style:

- VIZ-20 fuse kit (two fuses and hardware): 9628A05G90  
Contains two CLE-PT fuses -  
0.5, 38 kV, style # 50C5225G05) and hardware
- VIZ-20G fuse kit (one fuse and hardware): 9628A05G83  
Contains one CLE-PT fuse -  
0.5, 38 kV style # 50C5225G05) and hardware



Types VIZ-20 and -20G baseplate

For more information please contact:

**ABB Inc.**

**Medium Voltage Apparatus**

3022 NC 43 North

Pinetops, NC 27864

USA

Phone: +1 252 827 3212

Fax: +1 252 827 4286

**[www.abb.com/mediumvoltage](http://www.abb.com/mediumvoltage)**

**Note:**

The information contained in this document is for general information purposes only. While ABB strives to keep the information up to date and correct, it makes no representations or warranties of any kind, express or implied, about the completeness, accuracy, reliability, suitability, or availability with respect to the information, products, services, or related graphics contained in the document for any purpose. Any reliance placed on such information is therefore strictly at your own risk. ABB reserves the right to discontinue any product or service at any time.

Copyright 2005 ABB.

All rights reserved.