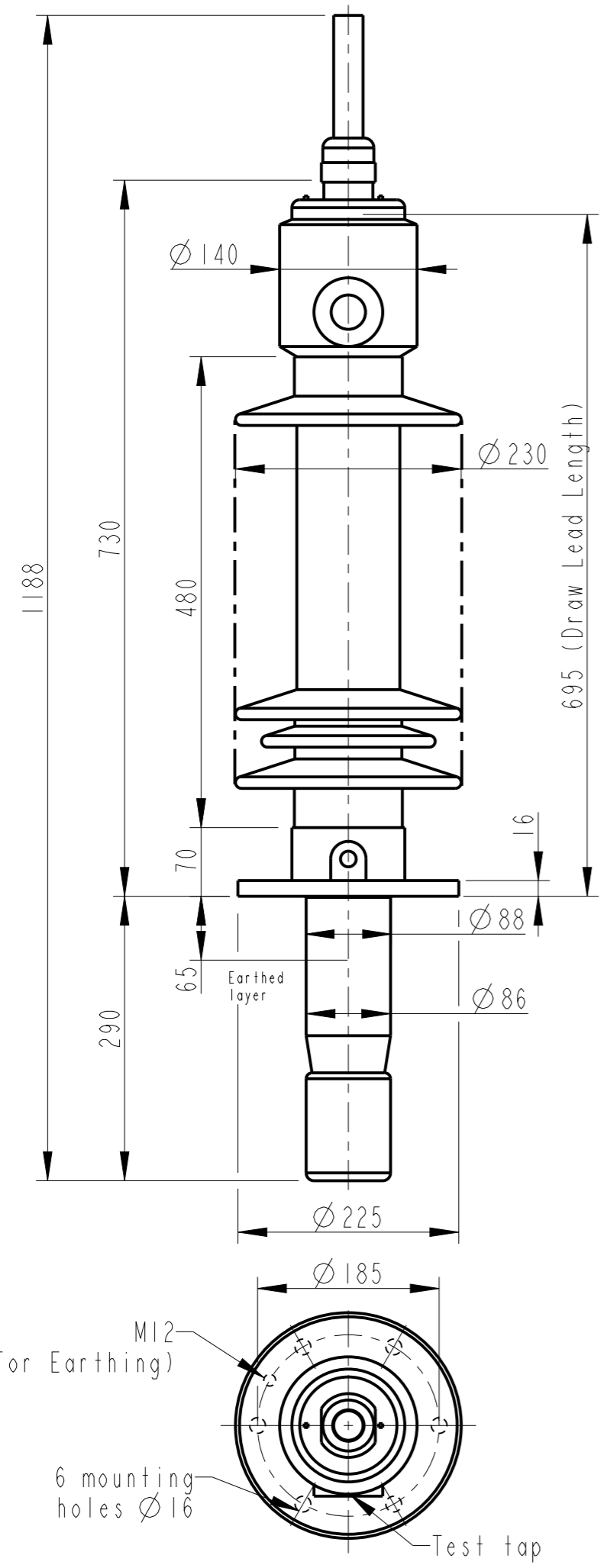
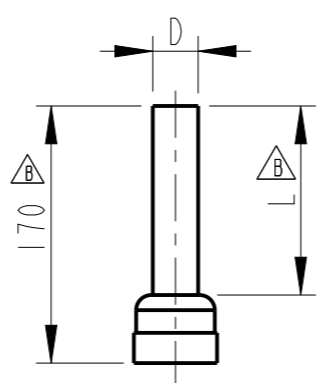


This document is issued by means of a computerized system. The digitally stored original is electronically approved. The approved document has a date entered in the "Approved"-field. A manual signature is not required.

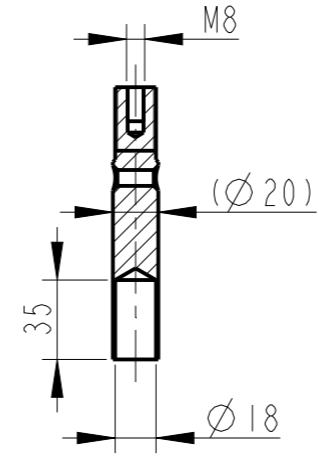
The information contained in this document has to be kept strictly confidential. Any unauthorized use, reproduction, distribution or disclosure to third parties are strictly forbidden. ABB reserves all rights regarding Intellectual Property Rights. © Copyright 2013 ABB. All rights reserved.



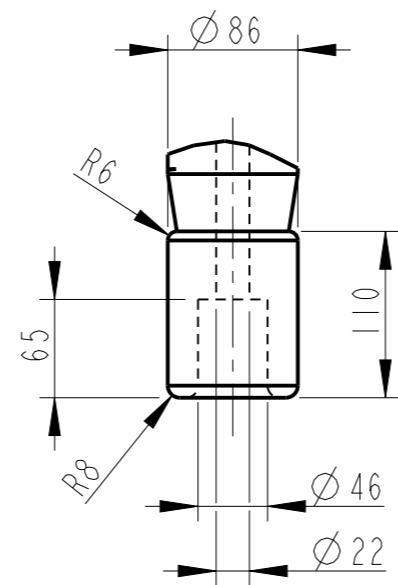
OUTER TERMINAL



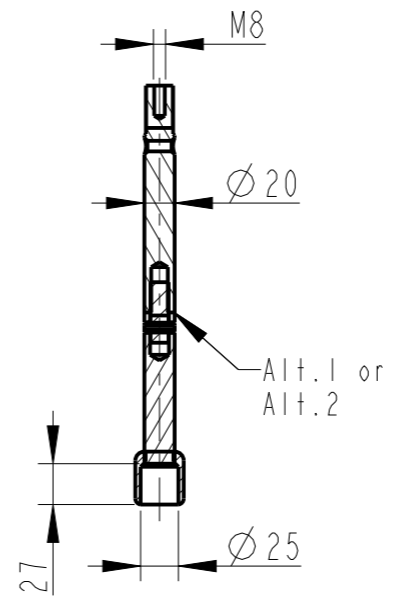
INNER TERMINAL FOR STRANDED CABLE



END SHIELD



SOLID ROD CONNECTOR



The solid rod can be divided either:
 Alt.1: 20mm below the bushing flange or
 Alt.2: 20mm below the upper end of the bottom porcelain

Note:
 Mounting inclination 0-45°.
 △ For inclined and horizontal mounting, see Installation and Maintenance Guide.

Bushing Data:

Rated Voltage	52	kV
Phase to Ground Voltage	52	kV
Dry Lightning Impulse 1,2/50µs	250	kV
Wet power frequency AC	105	kV
Routine test 1min dry 50Hz	120	kV
Rated Current	800	A
Creepage Distance	△ 1690±50	mm
Creepage Distance Protected	580	mm
Mass	24	kg

Ordering Data:

BUSHING	COLOUR	AIR INSULATOR
LF123171-M		BROWN
-N		LIGHT GREY
OUTER TERMINAL	Material	D L
LF 170 002-A	Cu Alloy	∅ 30 125
LF 170 001-A	Al	∅ 30 125
OTHER TYPES ON REQUEST		
INNER TERMINAL FOR STRANDED CABLE	Conductor area	DI
For brazing	up to 150mm ²	∅ 18
LF 170 011-S		
LF 170 011-U	Undrilled with pilot hole	∅ 5
For crimping or brazing	Conductor area	DI
LF 170 010-M	50mm ²	∅ 11
LF 170 010-N	70mm ²	∅ 13
LF 170 010-L	95mm ²	∅ 15
SOLID ROD CONNECTOR	Material	
LF 170 019 -AM for Alt.1	Cu	
N/A for Alt.2		
TERMINAL PLATE	Material	
LF 170 014-A	Aluminium	
LF 170 021-A	Nickel-Platted Copper	

ABB Ludhika, Sweden

No.	UmUy	kV Ir	A 50/60 Hz
ENL	SL	AC	kV _s
M	kg L	mm V	
C1	PF	Tan δ	x
C2	PF	Tan δ	x

Prepared ilodmin	2008-04-30	Responsible department PPCO/BK	Title GOB 250-800-0
Modified by Palpandi K	2013-04-26	Take over department	WITH OIL LEVEL GAUGE LONG END SHIELD
Approved by		Used in product	Order I
Revision B	Note added, Creep dist was 1500 & out terminal dim changed		Documet no. 2751369-170
			Language 82
			Steel no. I
			No. Shis. (1)