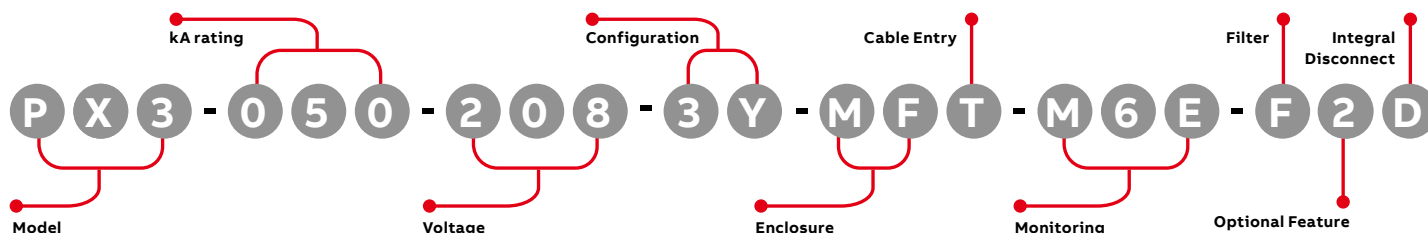


SURGE PROTECTIVE DEVICES

PX3™ 50 Surge Protection Panelboard Extension



The PX3™ offers an externally mounted surge solution that can be physically attached to the top or bottom of any panelboard, providing a reduced profile surge solution. PX3™ suppression filter systems feature a powerful failure-free ISM™ (Integrated Suppression Module). The ISM™ contains individual thermally fused and protected MOVs, surge-rated copper busing, robust filtering and advanced remote communications capabilities.



kA Rating	Voltage		Configuration**		Enclosure	
050	208	120/208	1G	1 Phase, Grounded	MFT	Metal, Flush Mount, Top Feed
080	240	120/240	2G	2 Phase, Grounded, Split Phase	MFB	Metal, Flush Mount, Bottom Feed
100	380	220/380	3Y	3 Phase, Grounded, Wye	MST	Metal, Surface Mount, Top Feed
125*	480	277/480	3H	3 Phase, Grounded, High Leg Delta	MSB	Metal, Surface Mount, Bottom Feed
150*	600	347/600*	3D	3 Phase, Grounded, Delta	SFT	Stainless, Flush Mount, Top Feed
200*					SFB	Stainless, Flush Mount, Bottom Feed
					SST	Stainless, Surface Mount, Top Feed
					SSB	Stainless, Surface Mount, Bottom Feed

*Not available with Integral Disconnect option.
 ** See table at page three for more voltage/configuration

Monitoring		Filter		Optional Features		Disconnect Option		Stand-Alone Options (To Be Ordered As Separate Items)	
M0	No local monitoring (see remote MxX stand-alone option)	F	Filter	1	Panel Mounted In-House	D	Integral Disconnect	DTS	DTS-2 Diagnostic Test Set
M1	Smart switching tri-color/LED/Phase, Audible Alarm & Dry Relay Contacts	N	No Filter	2	Test Port	Blank	No Disconnect	MxX	Remote Monitor Extension M1X through M6EX
M2	M1 + Surge Counter			4	Full Flush Cover			HPI	HPI Cable
M3	Advanced Monitoring, Character Display, Modbus RTU			5	GE Version				
M4E	M3 + Ethernet, Modbus TCP			6	Square D Version				
M5	Advanced Monitoring, Graphics Display, Modbus RTU			7	Siemens, Eaton-Cutler Hammer				
M6E	M5 + Ethernet, Modbus TCP								

Product Specifications

General Specifications

Maximum Surge Current Rating	50kA Per Mode, 100kA Per Phase
Nominal Discharge Surge Current	I-n = 20kA
Safety Listings	UL Listed 1449 5th Edition for Type 1 and Type 2 SPD applications, cUL, and UL 1283 / Meets Requirements for UL 96A / Compliant to IEEE C62.41.1-2002, C62.41.2-2002 and C62.45-2002 / NFPA 70 [NEC], Article 285 / RoHS Compliant
Protection Method	Thermally protected MOVs, Capacitive Filter
Product Design	Individual thermally fused and protected MOVs, and All Copper, Tin-plated Bus
Dimensions	9"H x 20"W x 5.75"D (without Integral Disconnect) 14"H x 20"W x 5.75"D (with Integral Disconnect)
Weight	18 lbs. (without Integral Disconnect) 20 lbs (with Integral Disconnect)
Enclosure Type	NEMA 1 Standard
Installation Location	Indoor
Operating Environment	-25°C to +60°C 5% – 95% Non-Condensing Humidity
Fault Current (SCCR)	200kAIC
Connection Method	Parallel
Protection Modes	All Modes (L-N, L-G, N-G, L-L)
Response Time	< 0.5 Nanoseconds
Operating Frequency	47 – 63 Hz
Warranty	15 Years

Filtering Attenuation Frequencies (Per Mil-Std-220B January 2000)*

10 KHz	100 KHz	1 MHz	10 MHz	Max at 142 KHz
18.1 dB	44 dB	22.8 dB	15.3 dB	54.6 dB

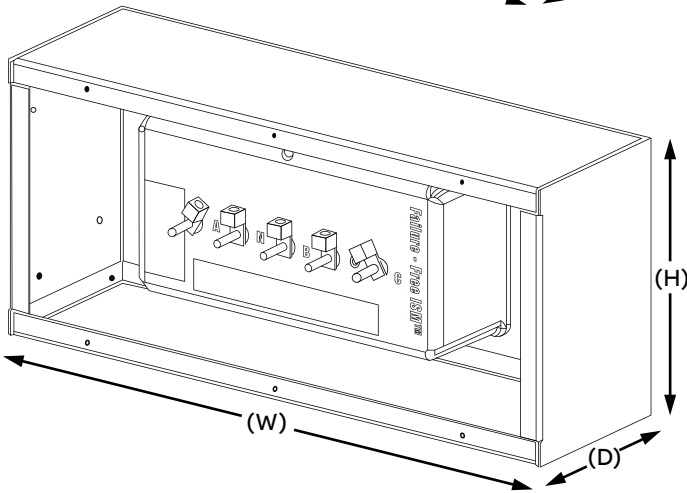
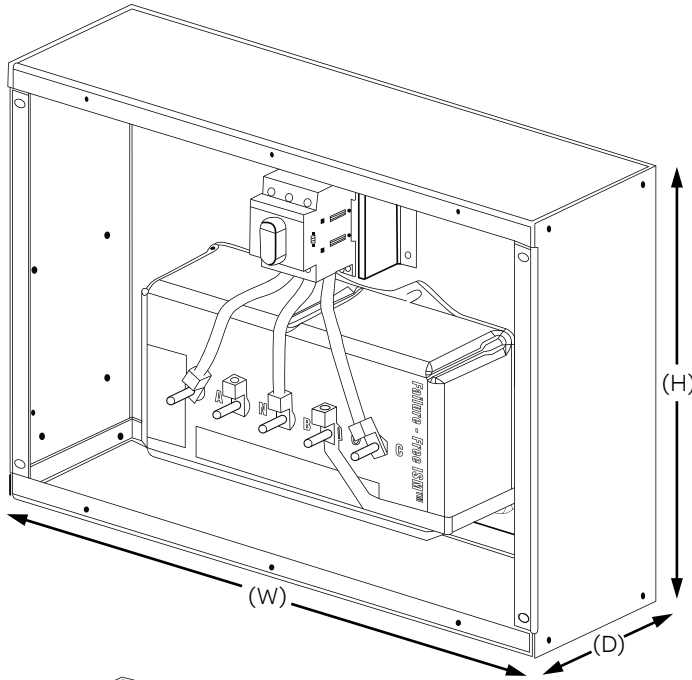
Single/Repetitive Surge Current Capacities (Tested)**

Protection Mode	Single Pulse Surge Current Capacity/ Mode	Repetitive Surge Current Capacity/ Mode
Line-to-Neutral	50,000A	5,000 Impulses
Line-to-Ground	50,000A	5,000 Impulses
Neutral-to-Ground	50,000A	5,000 Impulses
Line-to-Line	100,000A	10,000 Impulses
Per Phase	100,000A	10,000 Impulses

Maximum Continuous Operating Voltage (MCOV)

Voltage	L-N MCOV	Voltage	L-L MCOV
120V	150V	240V	300V
277V	320V	480V	552V
347V	420V	600V	690V

** Data based on actual tests. Contact factory for test reports



Dimensional specifications

PX3™/050 With Disconnect

	Inches	(mm)
H	14.00	(355.6)
W	20.00	(508.0)
D	5.75	(146.0)

PX3™/050 Without Disconnect

	Inches	(mm)
H	9.00	(228.6)
W	20.00	(508.0)
D	5.75	(146.0)

Voltage/configuration options

Not all voltage configurations are displayed, contact your local sales representative for additional configurations.

	1-Phase, Grounded	2-Phase, Grounded, Split-Phase	3-Phase, Grounded, Wye	3-Phase, Grounded, High-Leg Delta	3-Phase, Grounded, Delta
	1G	2G	3Y	3H	3D

Voltage Configuration

120	X				
208	X		X		X
220	X	X			X
230	X				X
240	X	X		X	X
380		X	X		X
415		X	X		X
480		X	X		X
600		X	X		X

—
PX3™/50 performance data

System Voltage	120/240V or 120/208V				277/480V				347/600V*				480V Delta*	
Protection Mode	L-N	L-G	N-G	L-L	L-N	L-G	N-G	L-L	L-N	L-G	N-G	L-L	L-G	L-L
MCOV	150	150	150	300	320	320	320	552	420	420	420	690	552	552
B3 Ring Wave 6kV, 500A	490	570	640	500	450	540	570	530	490	520	600	550	1450	530
B3/C1 Combo Wave 6kV, 3kA	614	629	634	1011	1013	1031	950	1857	1197	1219	1175	2369	1542	1857
C3 Combo Wave 20kV, 10kA	980	980	1170	1600	1420	1540	1600	2600	1670	1670	1730	2980	2270	2600
UL 1449 5th Edition VPR 6kV, 3kA	700	700	700	1200	1200	1200	1000	2000	1200	1500	1200	2500	1800	2000

*Not available with Integral Disconnect option.

All PX3™ systems voltage protection ratings (VPR) are peak values (±10%) measured from the 90° reference point and are in compliance with test and evaluation procedures outlined in ANSI/IEEE C62.41



—
ABB Inc.
305 Gregson Dr
Cary, NC 27511
USA

—
We reserve the right to make technical changes or modify the contents of this document without prior notice. With regard to purchase orders, the agreed particulars shall prevail. ABB Inc. does not accept any responsibility whatsoever for potential errors or possible lack of information in this document

We reserve all rights in this document and in the subject matter and illustrations contained therein. Any reproduction, disclosure to third parties or utilization of its contents – in whole or in parts – is forbidden without prior written consent of ABB Inc. Copyright © 2023 ABB