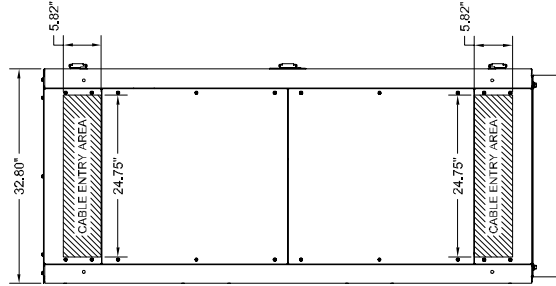
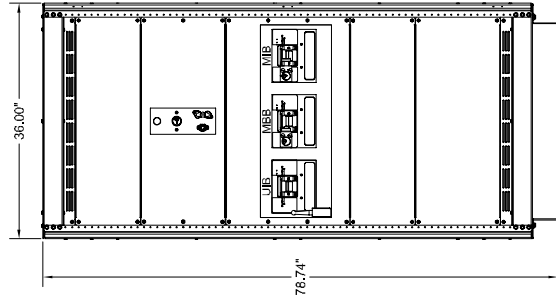


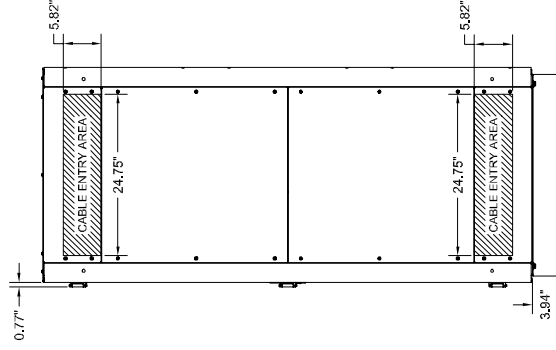
TOP VIEW



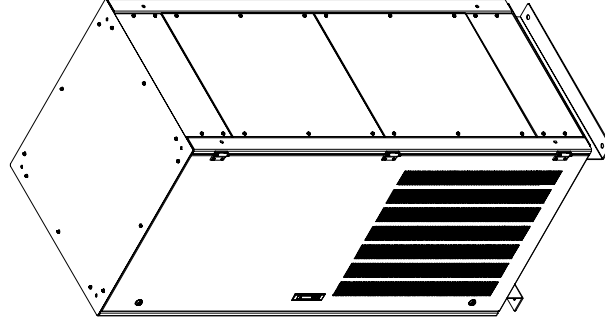
LEFT SIDE VIEW



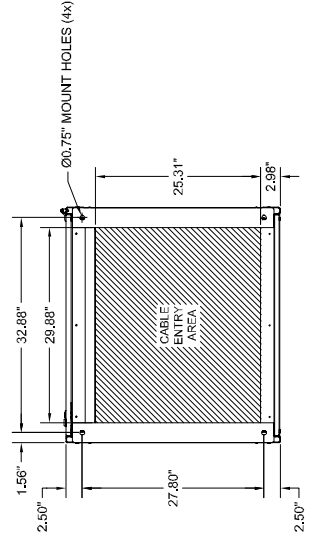
FRONT VIEW
(DOOR REMOVED)



RIGHT SIDE VIEW



ISOMETRIC VIEW



BOTTOM VIEW



Part#: 79-3000-00000034
 Description: 3B MBC W/ SKRU FOR AVC40-300KVA, 208VAC
 Voltage: 208/120VAC, 3Ph/4W/G
 Breaker Quantity: (3)
 Breaker Size: 1200AT (Setting)/1200AF, 100%, 310+ LSI Eaton Series G LG-Frame (UIB, MBB, MIB)
 AIC Rating: 65k
 Interlock: 120VAC SKRU with Kirk-Key Locks standard
 Dimensions: 36.0"W x 32.8"D x 78.7"H
 Weight: 710 Lbs
 Color: Black (BT)

- NOTES:
1. APPROXIMATE WEIGHT: 775 LBS.
 2. ASSEMBLY IS UI/CUL LISTED TO UL 891 AND C22.2 NO. 244.
 3. NEMA 1 TYPE ENCLOSURE
 4. THE CABINET IS CONSTRUCTED FROM GALVANIZED STEEL.
 5. THE CABINET IS TO BE MOUNTED THROUGH THE 0.750" HOLES IN THE CABINET LEGS. THE LEGS ARE FORMED FROM 10 GAUGE STEEL.
 6. FINISH IS POWDER COAT ON ALL EXTERNAL AND VISIBLE SURFACES. INTERIOR PANELS AND MOUNT BRACKETS ARE GALVANIZED FINISH.
 7. CABINET LEGS ARE REVERSIBLE FOR EASY ACCESS TO CABINET FLOOR MOUNTING HARDWARE.