

DEH-41667 Installation Instructions

**EntelliGuard® G Circuit Breaker
Accessories**

Anti-Bounce system Assembly

ANTI-BOUNCE SYSTEM:

Anti-bounce system is supplied with the Entelliguard breaker. In cases where it needs the field replacement, they are supplied as spares.

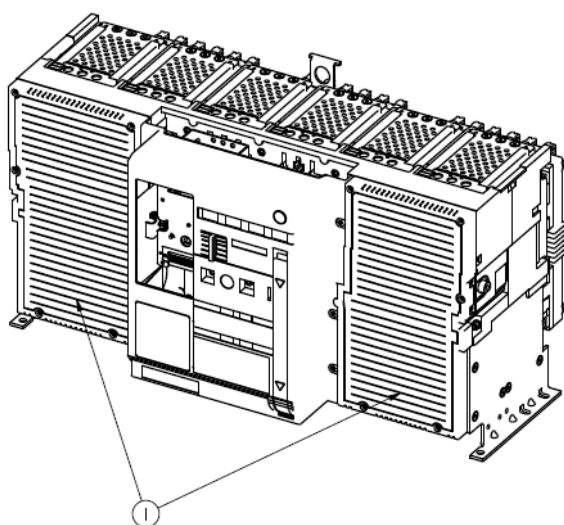




Figure A

 **WARNING:** Before installing any accessories, turn the breaker OFF, disconnect it from all voltage sources, and discharge the closing springs.

 **AVERTISSEMENT:** Avant d'installer tout accessoire, mettre le disjoncteur en position OFF, le déconnecter de toute tension d'alimentation, et décharger les ressorts d'armement

Anti-Bounce system assembly removal & inspection:

- 1 Turn the breaker off and discharge the closing springs by depressing the OFF and ON buttons in the sequence OFF-ON-OFF. Verify that the breaker OFF-ON indicator shows OFF on a green background and that the charge indicator shows DISCHARGE on a white background. If installing in a draw-out type breaker remove breaker from adaptor (cassette) before continuing.
- 2 The breaker should be safely isolated and fully removed from the cassette (for drawout breaker)
- 3 Remove ITEM NO 1 by loosening five M4 screws as shown in figure A
- 4 Remove ITEM No 2 (applicable to 4 pole only) by removing six M6 CSK fixing screws

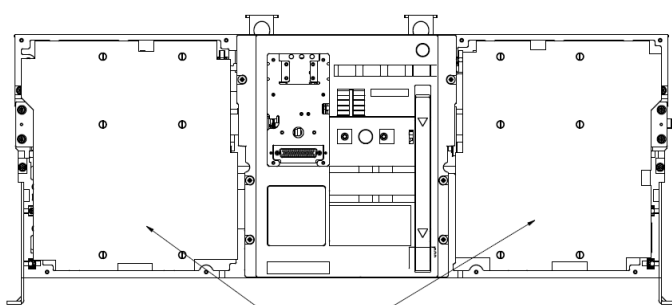


Figure B

| Envelope Size | Catalog # |
|------------------|-----------|
| Envelope 3-200kA | GAARK |

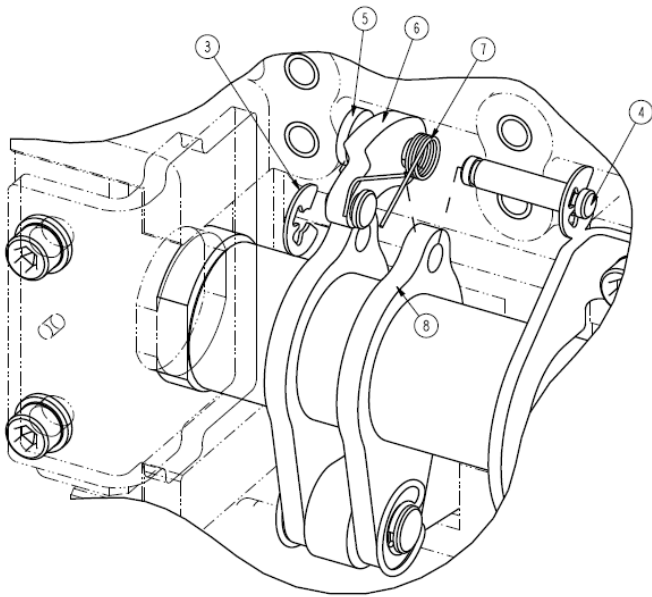


Figure C

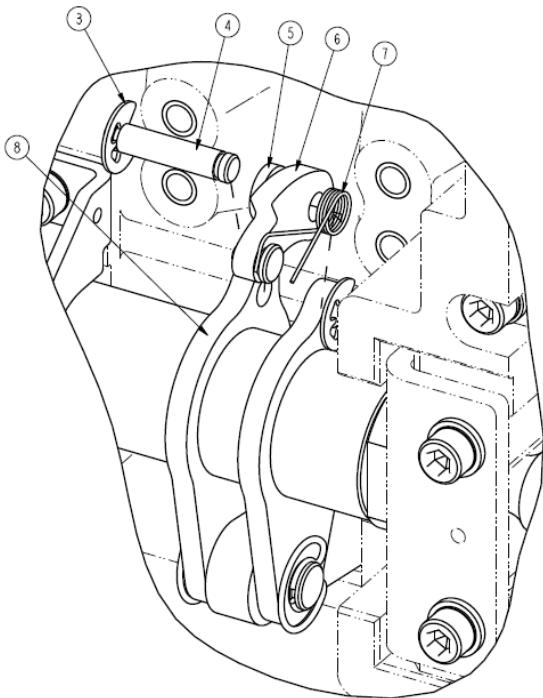


Figure D

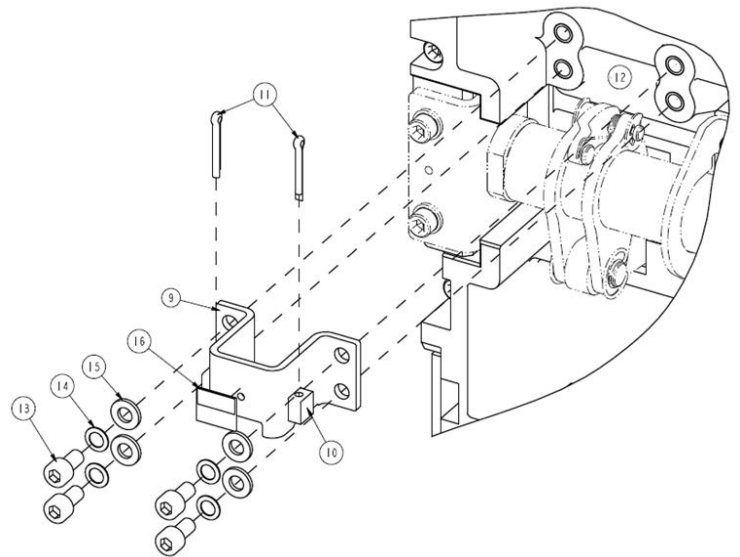


Figure E

- 5 FOR LEFT SIDE : Assemble ITEM No 3 to one side of ITEM NO 4 and insert to ITEM NO 8 as show in figure C
- 6 Assemble ITEM NO 7,6,5 in sequence with ITEM NO 4 and lock with ITEM NO 3 as shown in figure C
- 7 FOR Right SIDE : Assemble ITEM No 3 to one side of ITEM NO 4 and insert to ITEM NO 8 as show in figure D
- 8 Assemble ITEM NO 5,6,7 in sequence with ITEM NO 4 and lock with ITEM NO 3 as shown in figure D
- 9 Assemble ITEM No 10 to ITEM NO 9 with ITEM No 11 as shown in figure E
- 10 Assemble ITEM No 9 to ITEM NO 12 using ITEM13,14,15 as show in figure D with a tightening torque of 6-8Nm.
- 11 Fix ITEM NO 16 to ITEM NO9 as shown in figure E
- 12 Assemble ITEM NO 2 and ITEM NO 1 with screws

These instructions do not cover all details or variations in equipment nor do they provide for every possible contingency that may be met in connection with installation, operation, or maintenance. Should further information be desired or should particular problems arise that are not covered sufficiently for the purchaser's purposes, the matter should be referred to the ABB Inc.

—
ABB Inc.
305 Gregson Drive
Cary, NC 27511.
electrification.us.abb.com

—
We reserve the right to make technical changes or modify the contents of this document without prior notice. With regard to purchase orders, the agreed particulars shall prevail. ABB Inc. does not accept any responsibility whatsoever for potential errors or possible lack of information in this document.

We reserve all rights in this document and in the subject matter and illustrations contained therein. Any reproduction or utilization of its contents – in whole or in parts – is forbidden without prior written consent of ABB Inc.
Copyright© 2019 ABB
All rights reserved