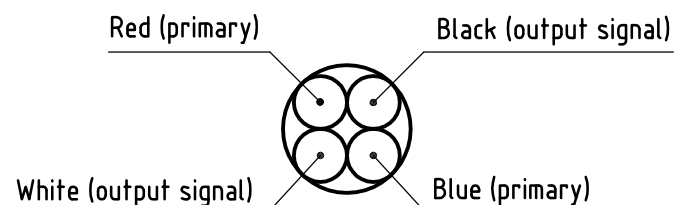


IMPORTANT!

Core order along no. 4



If cable no. 4 is lengthened it is important to keep core order.

IP20:

Power Supply 24 (18-36) VDC
Signal earth (0V) connected to Tension Electronics metal plate
Cable Shields should be connected to earth close to the Tension Electronics

IP65:

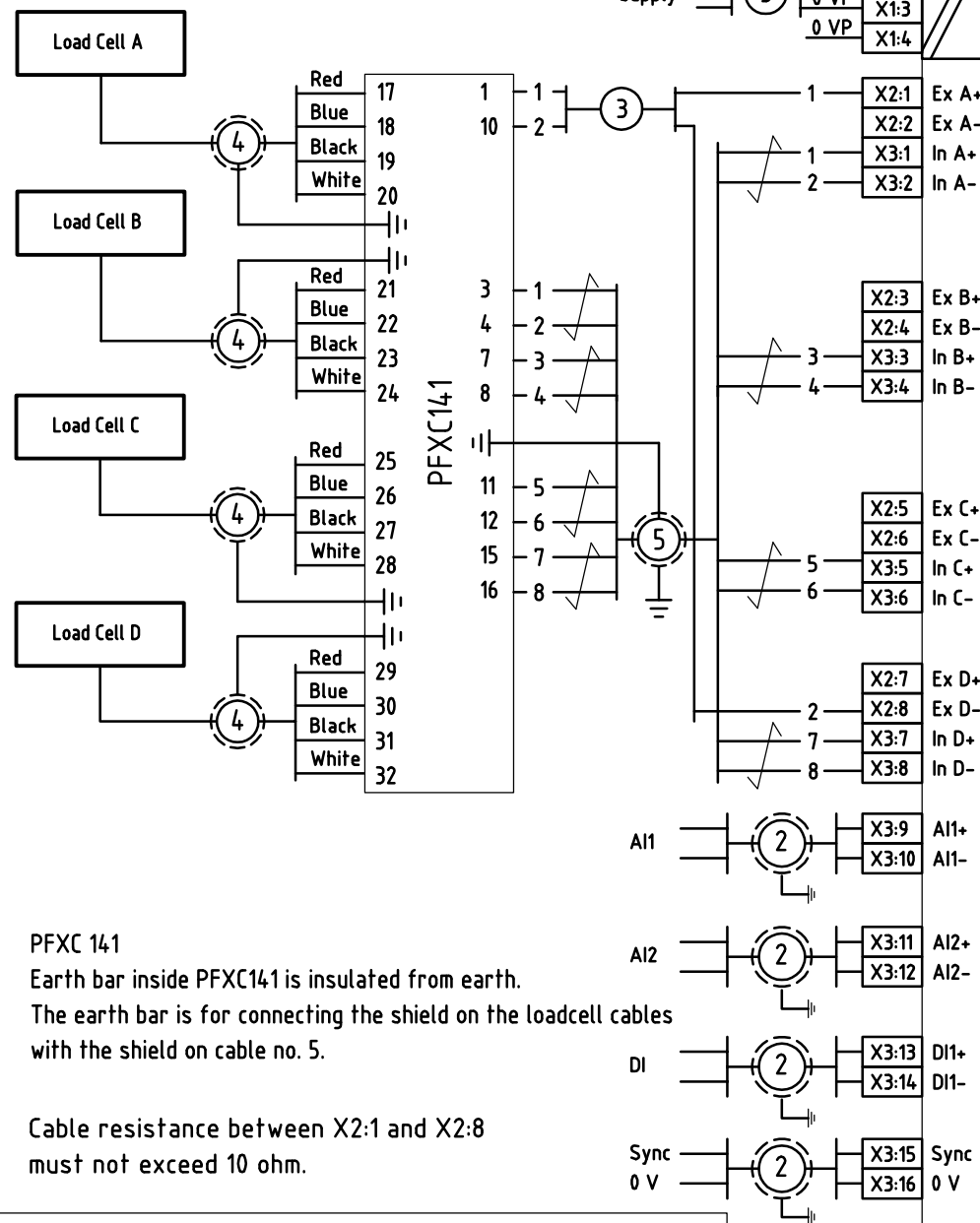
Power Supply 100 (-15%) to 240 (+10%) VAC or 24 VDC
Signal earth (0V) connected to earth bar inside the unit
Cable Shields should be connected to earth bar inside the unit

Increased Force in the direction of the arrow results in a positive output signal change.



Because of practical reasons the Load Cell PFTL301E is often mounted so that the plug connector is pointing away from the roll. This results in that one of the Load Cells will have inversely applied force.

| For inversely applied Force on Load Cell: | Swap |
|---|----------|
| A | X3:1 & 2 |
| B | X3:3 & 4 |
| C | X3:5 & 6 |
| D | X3:7 & 8 |



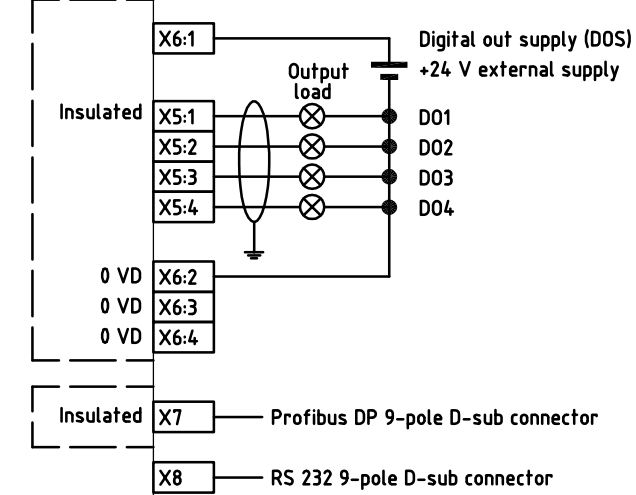
PFXC 141
Earth bar inside PFXC141 is insulated from earth. The earth bar is for connecting the shield on the loadcell cables with the shield on cable no. 5.

Cable resistance between X2:1 and X2:8 must not exceed 10 ohm.

CABLE LIST

| | |
|---|---|
| 1 | 3 x 1,5...2,5 mm ² [14...12 AWG] |
| 2 | 2 x 0,4...1 mm ² [22...18 AWG] — Shielded |
| 3 | 2 x 1,5...2,5mm ² [14...12AWG] |
| 4 | 4 x 0,5 mm ² [20 AWG] — Shielded, fixed with Load Cell |
| 5 | 4 x 2 x 0,5 mm ² [20 AWG] — Shielded twisted pair |

PFEA113



| Removed Load Cell (s) | Connect shorting wire at PFXC141 |
|-----------------------|----------------------------------|
| A | 17 & 18 |
| B | 21 & 22 |
| C | 25 & 26 |
| D | 29 & 30 |

| REV | DESCRIPTION | DATE | DEPT./INIT. |
|-----|--|------------|----------------|
| D | Sh.7 added. | 2013-06-04 | PAFM/GS/MS |
| C | Instruction for single load cell application adjusted. | 2007-04-18 | PA/FM/GF/ZR |
| B | X1:2 +24V was 0 VP; X1:3 and X1:4 added. | 2002-12-16 | ATCF/FM/GB/MSS |
| - | New document | 2002-11-28 | ATCF/FM/GB/MSS |

| | | | |
|-----------|-----------|--------------------|------------|
| Prep. | PAMP/FMFA | Birgitta Johansson | 2013-06-04 |
| Appr. | PAMP/FMGS | Fredrik Norlund | 2013-06-20 |
| Resp.dept | PAMP/FMFG | | |

We reserve all rights in this document and in the information contained therein. Reproduction, use or disclosure to third parties without express authority is strictly forbidden. © ABB AB

Document status : Approved