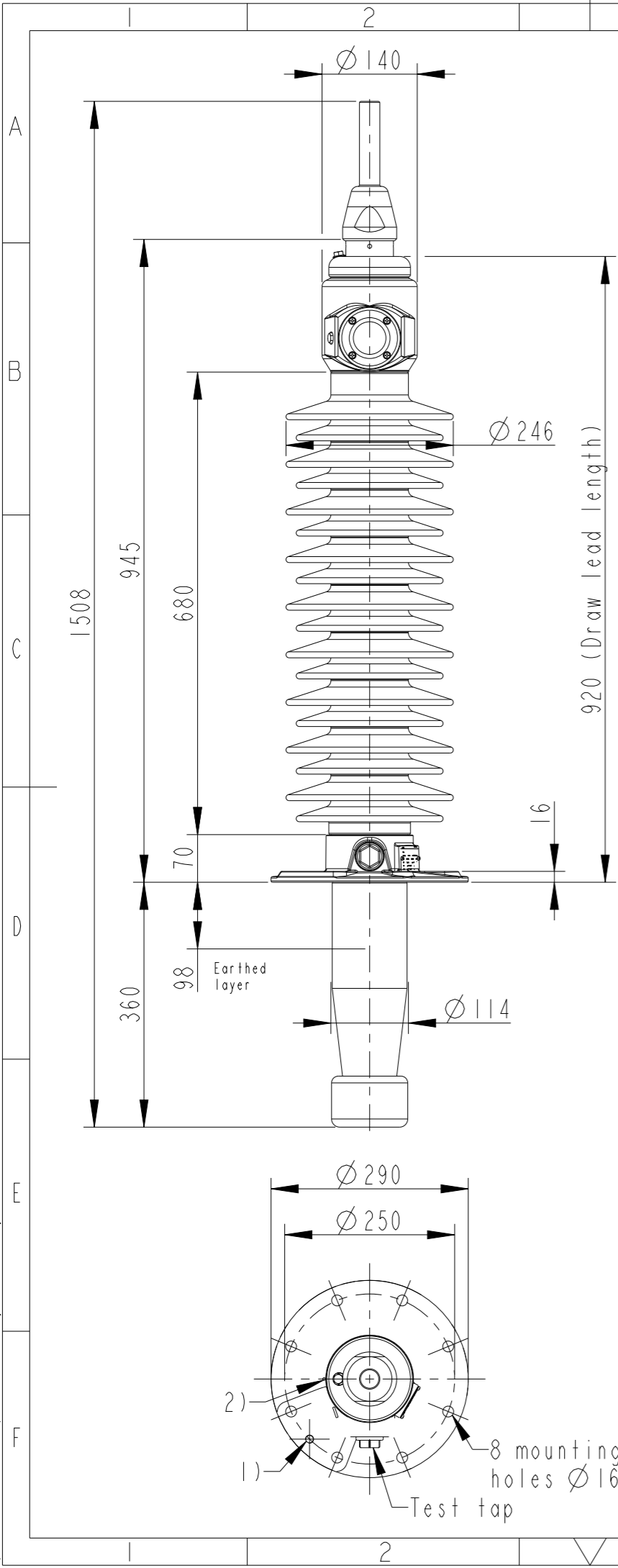
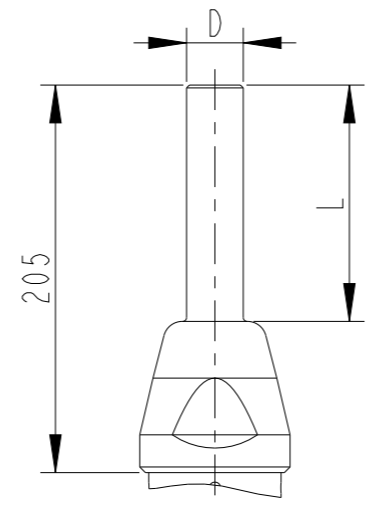


This document is issued by means of a computerized system. The digitally stored original is electronically approved. The approved document has a date entered in the "Approved"-field. A manual signature is not required.

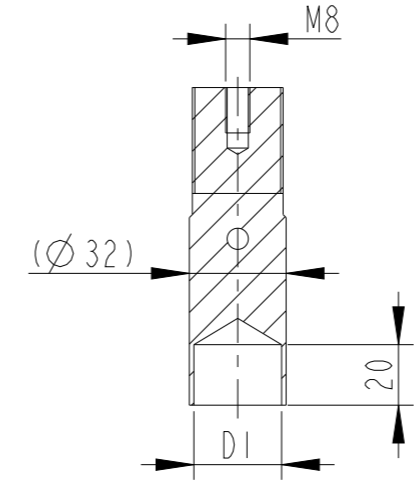
We reserve all rights in this document and in the information contained therein. Reproduction, use or disclosure to third parties without express authority is strictly forbidden.



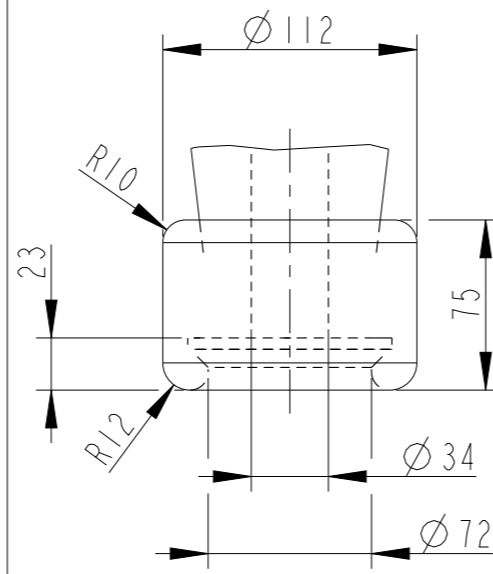
**OUTER TERMINAL**



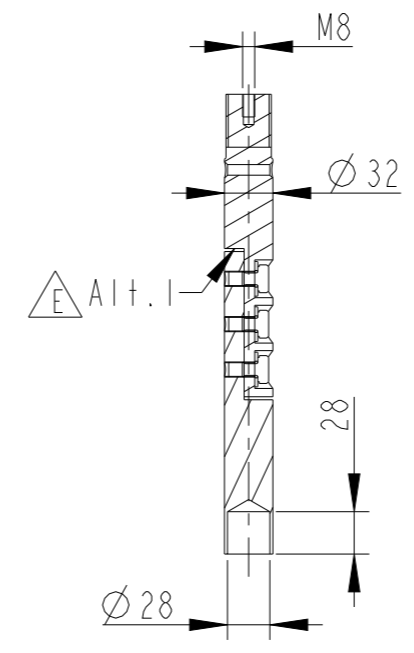
**INNER TERMINAL FOR STRANDED CABLE**



**END SHIELD**



**SOLID ROD CONNECTOR**



The solid rod can be divided either:  
Alt.1: 20mm below the bushing flange

- 1) M12 (For Earthing)
- 2) Ø4 Oil connection hole (only valid for horizontal mounting)

Revision	Revision text
E	Removed Alt.2, Changed the Phase to ground voltage from 72.5 to 58kV

**Bushing Data:**

Rated Voltage	100	kV
Phase to Ground Voltage	$\triangle E$ 58	kV
Dry Lightning Impulse 1,2/50µs	380	kV
Wet power frequency AC	150	kV
Routine test Imin dry 50Hz	165	kV
Rated Current	1250	A
Creepage Distance	2500±70	mm
Creepage Distance Protected	980	mm
Mass	50	kg

**Ordering Data:**

<b>BUSHING</b>	COLOUR AIR INSULATOR
LF123101-K	BROWN
LF123101-L	LIGHT GREY
LF123101-HK	BROWN Horizontal 45°-90°
LF123101-HL	LIGHT GREY Horizontal 45°-90°
<b>OUTER TERMINAL</b>	Material D L
LF 170 002-B	Cu alloy, Ø 30,125
LF 170 001-B	Al, Ø 30,125
OTHER TYPES ON REQUEST	
<b>INNER TERMINAL FOR STRANDED CABLE</b>	
<b>For brazing</b>	Conductor area D1
LF 170 011-T	up to 285mm <sup>2</sup> Ø 29
LF 170 011-V	Undrilled with pilot hole Ø 5
<b>SOLID ROD CONNECTOR</b>	Material
LF 170 052 -BK for Alt.1	Cu

ABB		Ludvika, Sweden	
No.	kV Ir	A	50/60 Hz
Um	kV SIL	kV AC	kV
BL	kg L	mm	°
M	pF Tan δ	x	
C1	pF Tan δ	x	
C2	pF Tan δ	x	

Approved 2020-01-13	Document Kind Outline Drawing	Based on doc. id	Work order id	Project id
Company ABB Technology Ltd	Title, Supplementary title GOB 380-1250-0 WITH OIL LEVEL GAUGE STD END SHIELD			
Responsible Department SEABB-9AAE300824	Document id 2751369-193	Status Released	Revision E	Iteration 1/1
<b>ABB</b>				