



IRB 1400

Industrial Robot

MAIN APPLICATIONS

Arc welding
Assembly
Glueing/Sealing
Machine tending
Material handling



Your best performer

The IRB 1400 gives you fast and reliable work cycles that boost productivity. The robot is well-proven in arc welding, material handling and process applications, with more than 10,000 installations since 1992. It delivers plenty of performance for the money, ensuring short payback times.

The handling capacity is 5 kg(11 lbs.) plus a unique 18 kg(39.5 lbs.) supplementary load on the upper arm. Superior levels of control and path-following accuracy provide excellent work quality.

The ability to adjust process speed and position means you achieve optimum manufacturing accuracy with little or no rejects.

The IRB 1400 is known for its stiff and robust construction. This translates into low noise levels, long intervals between routine maintenance and long service life. The robot has a large working area and long reach. With its compact design, very slim wrist and high performance operation even in difficult and restricted locations, the IRB 1400 is your best performer.



IRB 1400

Industrial Robot

TECHNICAL DATA, IRB 1400 INDUSTRIAL ROBOT

SPECIFICATION

Robot	Handling capacity 5 kg	Reach of 5 th axis 1.44 m
Supplementary load on axis 3 on axis 1	18 kg 19 kg	
Number of axes Robot manipulator External devices	6 6	
Integrated signal supply	12 signals on upper arm	
Integrated air supply	Max. 8 bar on upper arm	

PERFORMANCE

Position repeatability	0.05 mm (average result from ISO test)	
Movements Max. TCP velocity	IRB 1400 2.1 m/s	
Continuous rotation of axis 6		

ELECTRICAL CONNECTIONS

Supply voltage	200–600 V, 50/60 Hz	
Rated power, Transformer rating	4 kVA/7.8 kVA with external axes	

PHYSICAL

Robot mounting	Floor	
Dimensions Robot base	620 x 450 mm	
Weight Robot	225 kg	

ENVIRONMENT

Ambient temperature Robot unit	5 - 45°C (41 - 113°F)	
Relative humidity	Max. 95%	
Degree of protection	Class D (dry) for welding, machining etc.	
Noise level	Max. 70 dB (A)	
Emmission	EMC/EMI-shielded	
Clean room	Class 100 US Federal Standard 209e	

Data and dimensions may be changed without notice.

WORKING RANGE AND LOAD DIAGRAM

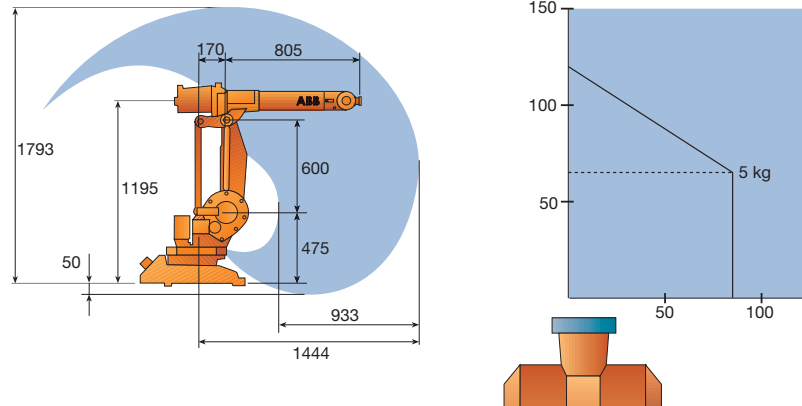


ABB Inc.
1250 Brown Rd.
Auburn Hills, MI 48326
Phone: 248-391-9000
Fax: 248-391-7390

ABB Inc.
201 West Creek Blvd.
Brampton, Ontario L6T 5S6
Phone: 905-460-3000
Fax: 905-460-3001

www.abb.com/robotics
email address: sales.info@us.abb.com