

EPC 2 Series

Emergency power control for generator and mini inverters. Supplies power to switched lighting fixtures.



Mechanical specifications

- Mounts in 4-11/16" Junction box with single gang plaster ring
- UL94-5VA rating
- Shipping weight: 12oz
- Temperature: 32° F - 140° F (0° C - 60° C)
- Color: White
- Flush mounted single gang
- Body size: 3" x .7" x 1.2"

Emergency Operation:

- The EPC-2-E & EPC-2-D-E will operate any lamp type in the designated fixture for the duration of the generator or mini inverter supply.

Initial illumination:

- The EPC-2-E & EPC-2-D-E will operate the designated lamp at full light output

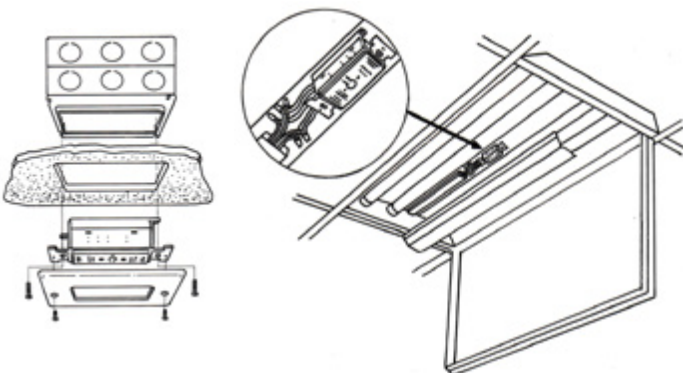
Approval:

- UL924 Listed

Wiring diagrams:

- Visit our website: <http://www.emergi-lite.com>

Mounting



Housing

- Thermoplastic UL94-5VA suitable for plenum installations
- Compatible with LED, fluorescent and incandescent lamp types including standard, energy-saving, and electronic AC drivers and ballasts¹

Mounting

- Wall and ceiling mount

Options

- 0-10V Dimming standard on the EPC-2-D-E model
- Advanced Diagnostics standard on the EPC-2-E and EPC-2-D-E models

Lamp types

- During utility power interruption, automatically connects generator or inverter circuit to emergency fixture and bypasses switching control to full light output for duration of inverter or generator supply

Lumen output

- Allows switching control of emergency fixtures during normal operation
- Allows auxiliary generator power on a switched lighting fixture

Power requirements

- Dual voltage 120/277V 60Hz

Approvals

- Meets or exceeds all National Electrical Code and Life Safety Code Emergency Lighting Requirements

Warranty (subject to proper installation and maintenance)

- Unit has a five-year warranty
- Detailed warranty terms located on page 178 or online at: www.emergi-lite.com/usa/files/EL_Warranty.pdf

¹When using EPC-2-E & EPC-2-D-E to control more than 10 emergency ballasts with a high corrective power factor capacitor, consult factory for more information regarding inrush currents.



How to order

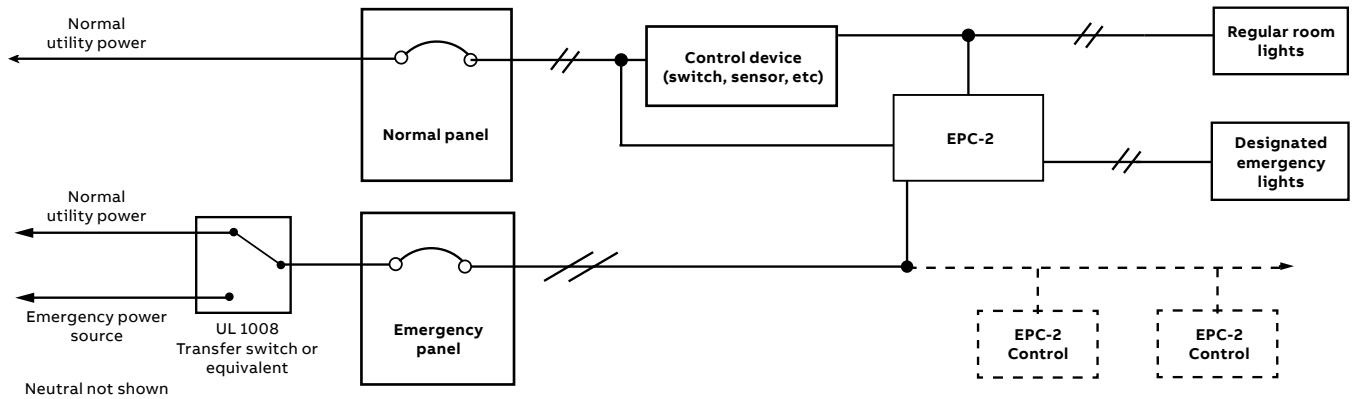
Series

EPC-2-E= Emergency transfer switch

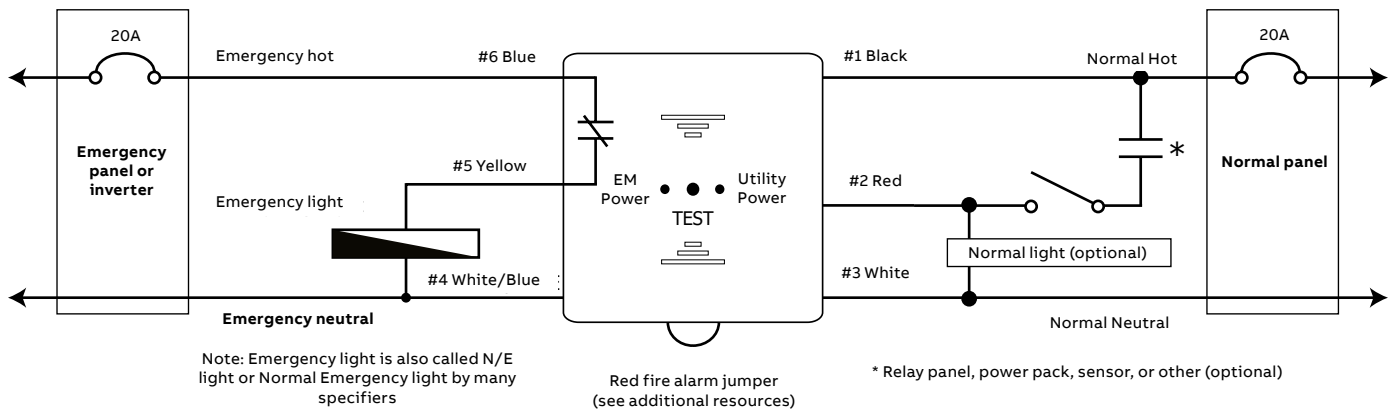
EPC-2-D-E= Emergency transfer switch with Advanced Diagnostics and 0-10 dimming

Example: EPC-2-E

Single line drawing



Wiring diagram



Specifications

Electrical	
Model number	EPC-2
Sensing input	120V-277V
LED load rating	120V-277V (20A)
Ballast load rating	20A (120-277V)
Incandescent load	1200W (120V)/1500W (277V)
Warranty	Five-year replacement warranty

Mechanical	
Mounting	4-11/16" Junction box with single gang plaster
Rating	UL94-5VA
Shipping weight/Color	12 oz. / White
Temperature	32°F - 140°F (0°C - 60°C)
Flush mounted size	Single gang size
Body size	1.7" X 3" X 1.2" (W X H X D body)