
 TECHNICAL DATA SHEET

Wire connector, Twist-on 933 series

For solid and stranded wire combinations

marrette[®]



Twist-on wire connector for connection of copper conductors inside junction box. For residential and commercial applications.

Certifications / Standards:



Material:

- Cap: Polypropylene (PP)
- Spring: copper plated steel

Conformance:

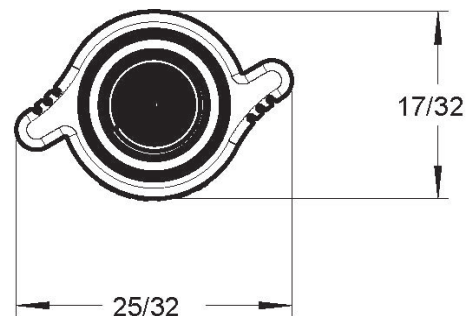
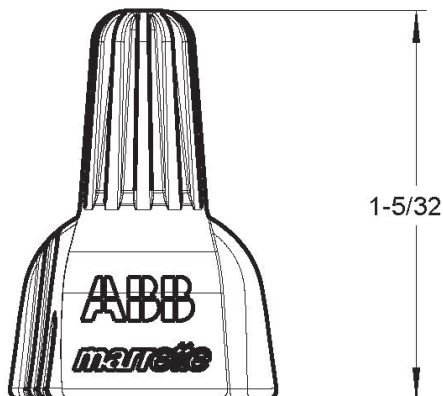
- CSA File No. LR6591
- UL File No. E9809, control nb. 424H

Ratings:

- Indoor use only
- Temp. Rating: 125°C (257°F) maximum
- Voltage:
 - Building wire 600 Volt maximum
 - Signs and Fixtures 1000 Volt maximum
- Wire: #22 to #8, solid and/or stranded unless noted otherwise, cu/cu only

Connection type:

- Twist-on



Approved for following copper-copper wire combinations (solid/stranded - unless specified)

1 #22 + 1 to 5 #20	1 #20 + 1 to 4 #18	1 #18 + 1 to 5 #16	1 #16 + 1 to 4 #14	1 #14 + 1 to 4 #12	1 #12 + 1 to 2 #10	1 #10 + 1 #8 Strd.
1 #22 + 1 to 5 #18	1 #20 + 1 to 4 #16	1 #18 + 1 to 4 #14	1 #16 + 1 to 4 #12	1 #14 + 1 to 2 #10	1 #12 + 1 #8 Strd.	1 to 2 #10
1 #22 + 1 to 5 #16	1 #20 + 1 to 4 #14	1 #18 + 1 to 4 #12	1 #16 + 1 to 2 #10	1 #14 + 1 #8 Strd.	1 to 4 #12	3 # 10 solid only
2 #22 + 1 to 4 #20	2 to 4 #20	1 #18 + 1 to 2 #10	2 to 6 #16	1 to 5 #14	2 #12 + 1 #10	
2 #22 + 1 to 4 #18	2 #20 + 1 to 3 # 18	2 to 6 #18	2 #16 + 1 to 4 #14	2 #14 + 1 to 3 #12	2 #12 + 1 #8 Strd.	
2 #22 + 1 to 4 #16	2 #20 + 1 to 3 # 16	2 #18 + 1 to 4 #16	2 #16 + 1 to 3 #12	2 #14 + 1 to 2 #10	3 #12 + 1 #10	
3 #22 + 1 to 3 #20	2 #20 + 1 to 3 # 14	2 #18 + 1 to 4 #14	2 #16 + 1 to 2 #10	2 #14 + 1 #8 Strd.		
3 #22 + 1 to 3 #18	3 #20 + 1 to 2 #18	2 #18 + 1 to 3 #12	2 #16 + 1 #8 Strd.	3 #14 + 1 to 2 #12		
3 #22 + 1 to 4 #16	3 #20 + 1 to 2 #16	2 #18 + 1 to 2 #10	3 #16 + 1 to 3 #14	3 #14 + 1 #10		
3 to 4 #22	3 #20 + 1 to 2 #14	3 #18 + 1 to 3 #16	3 #16 + 1 to 2 #12	3 #14 + 1 #8 Strd.		
4 #22 + 1 to 2 #20	4 #20 + 1 to 2 #18	3 #18 + 1 to 3 #14	3 #16 + 1 to 2 #10	4 #14 + 1 #12		
4 #22 + 1 to 2 #18	4 #20 + 1 to 2 #16	3 #18 + 1 to 3 #12	3 #16 + 1 #8 Strd.	4 #14 + 1 #10		
4 #22 + 1 to 2 #16	4 #20 + 1 to 2 #14	3 #18 + 1 to 2 #10	4 #16 + 1 to 2 #14			
5 to 6 #22 Solid only	5 to 6 #20 Solid only	4 #18 + 1 to 2 #16	4 #16 + 1 to 2 #12			
		4 #18 + 1 to 2 #14	4 #16 + 1 #10			
		4 #18 + 1 to 2 #12	4 #16 + 1 #8 Strd.			
		4 #18 + 1 #10	5 #16 + 1 # 14			
		5 #18 + 1 #16	5 #16 + 1 # 10			
		5 #18 + 1 #14				
		5 #18 + 1 #12				

Note: Product must be installed in accordance with applicable national and local electrical codes.

ABB Installation Products Inc.
Memphis, Tennessee
tnb.abb.com
USA

We reserve the right to make technical changes or modify the contents of this document without prior notice. With regard to purchase orders, the agreed particulars shall prevail. ABB Installation Products Inc. (Formerly Thomas & Betts Corp.) does not accept any responsibility whatsoever for potential errors or possible lack of information in this document.

We reserve all rights in this document and in the subject matter and illustrations contained therein. Any reproduction – in whole or in part – is forbidden without prior written consent of ABB Installation Products Inc. Copyright© 2019 ABB Installation Products Inc. All rights reserved.