

18

17

16

15

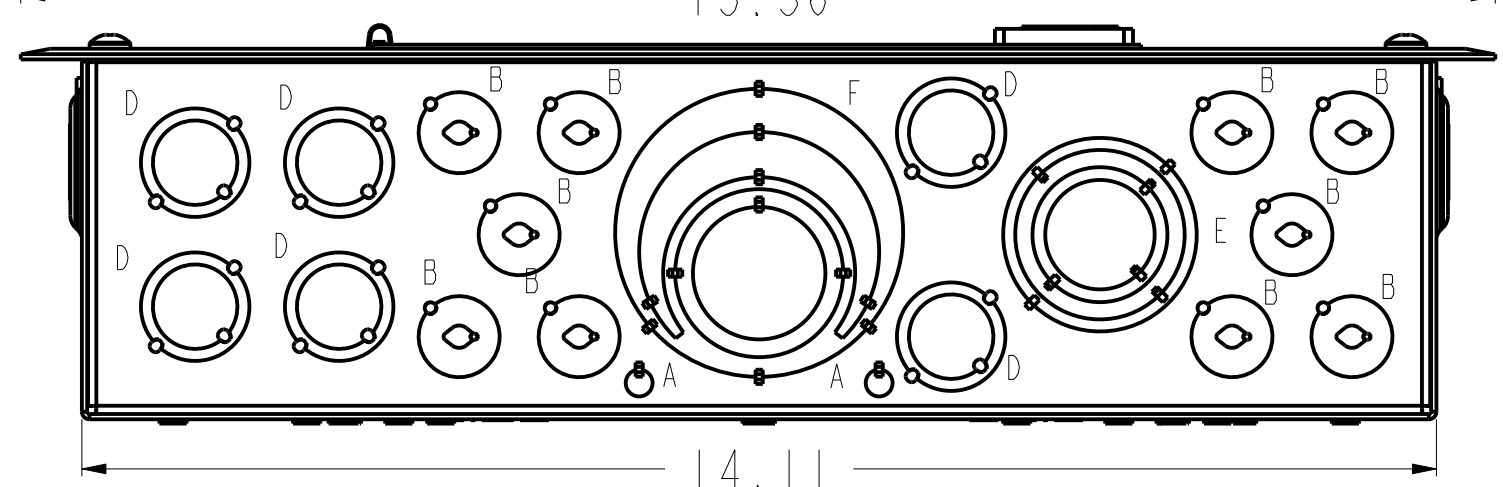
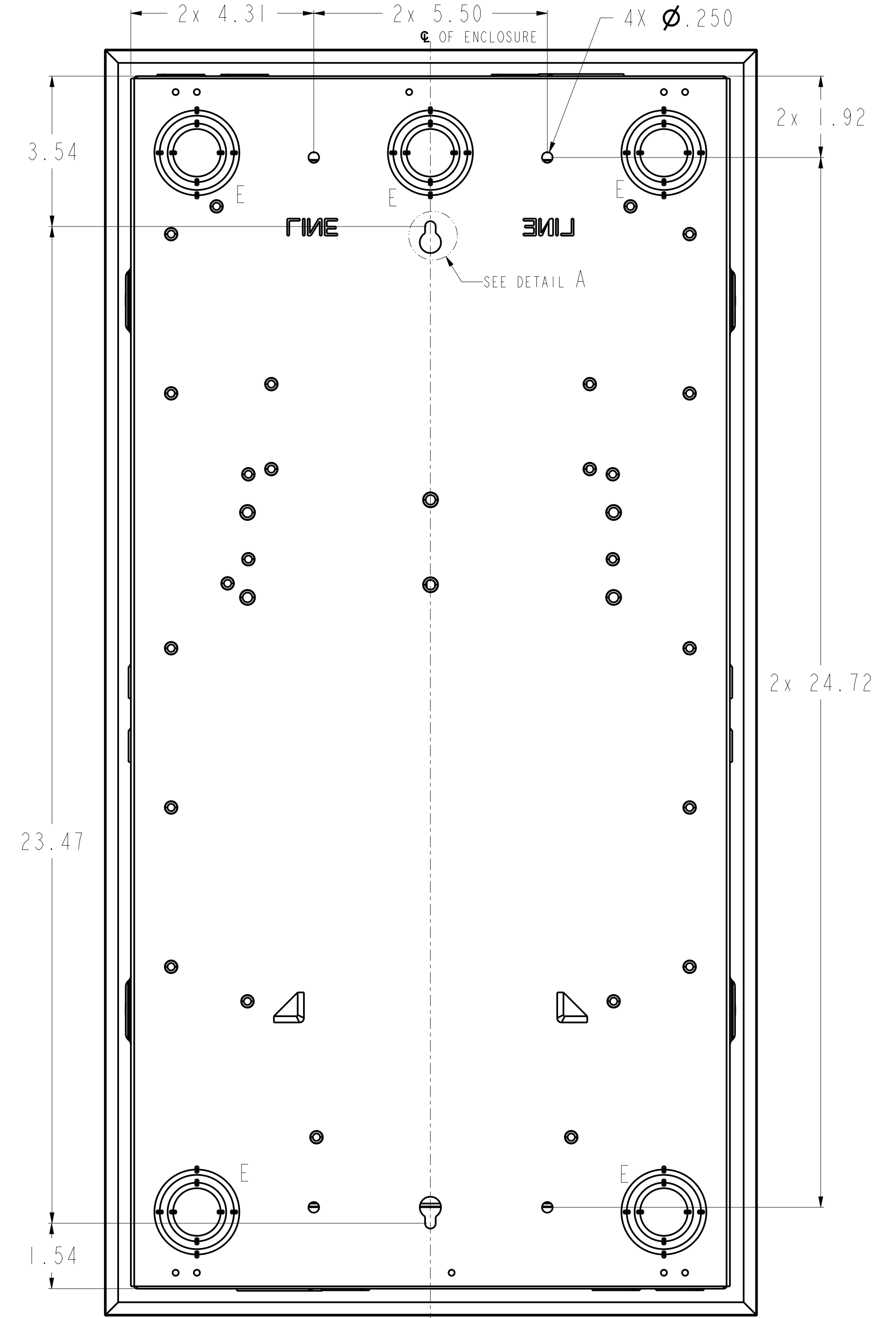
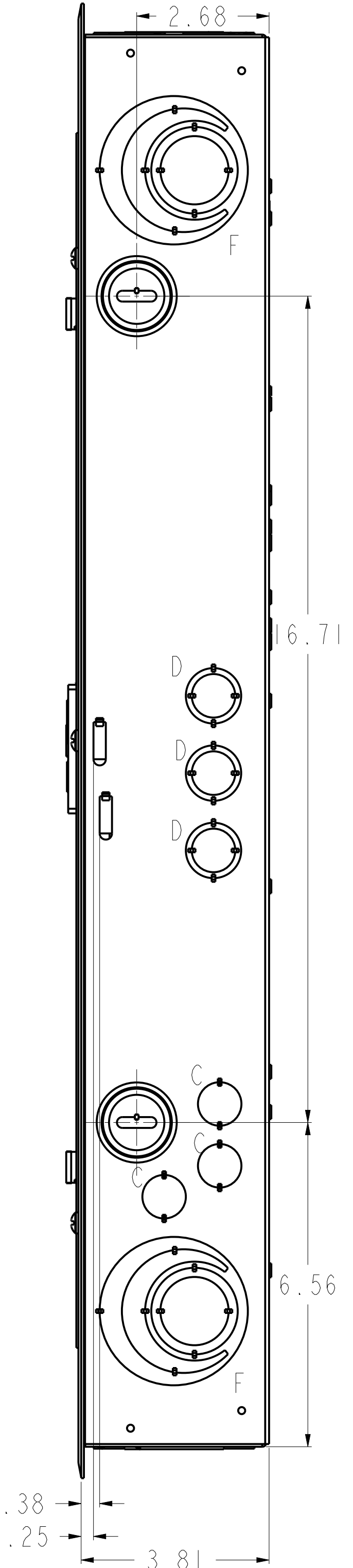
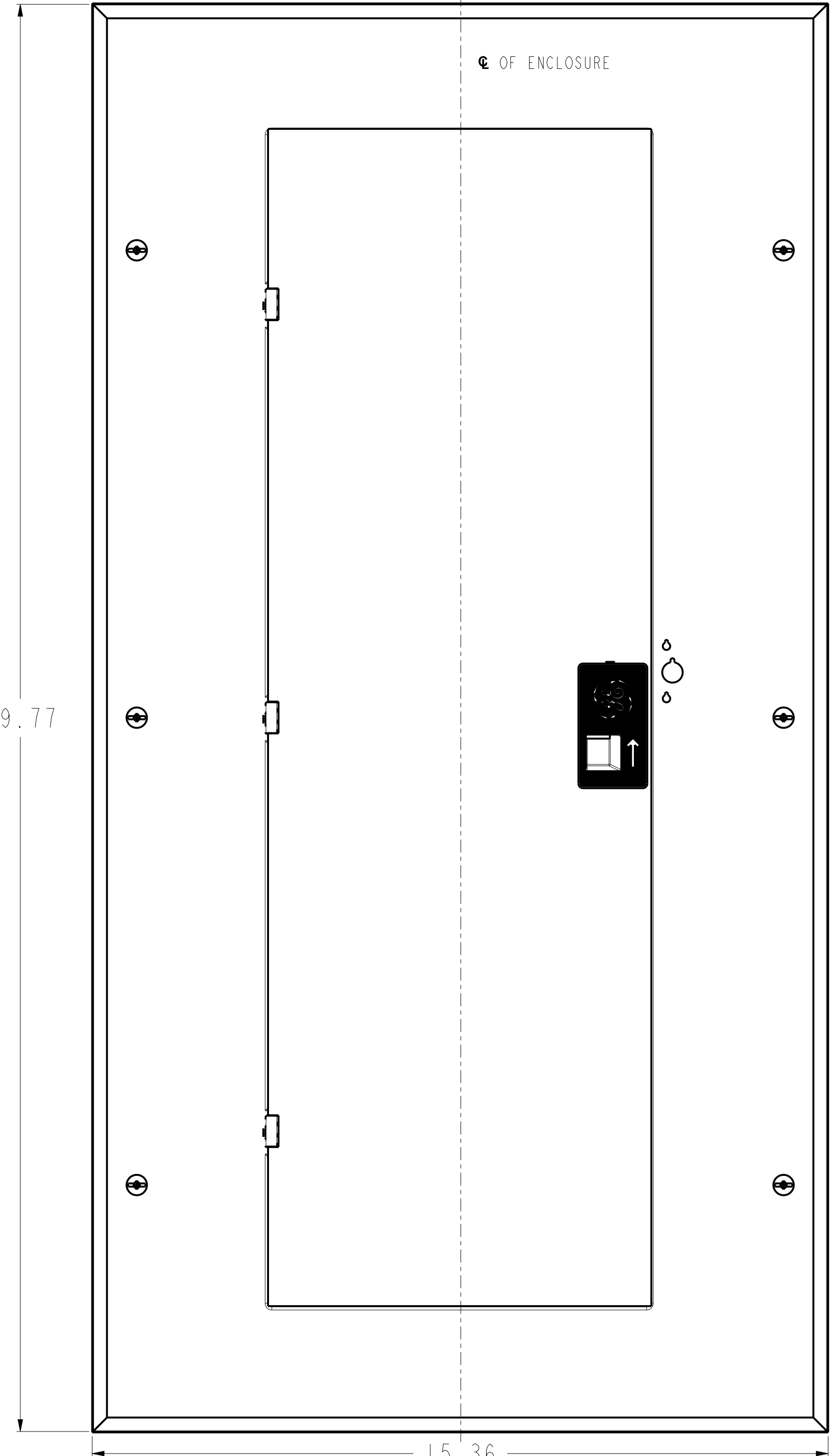
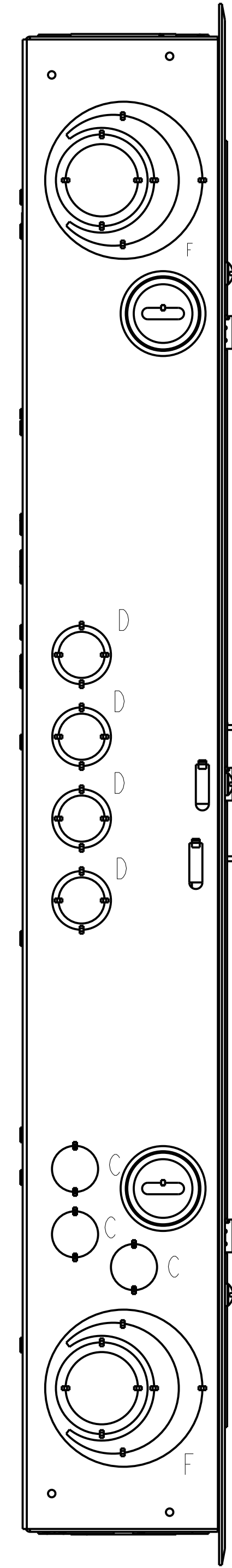
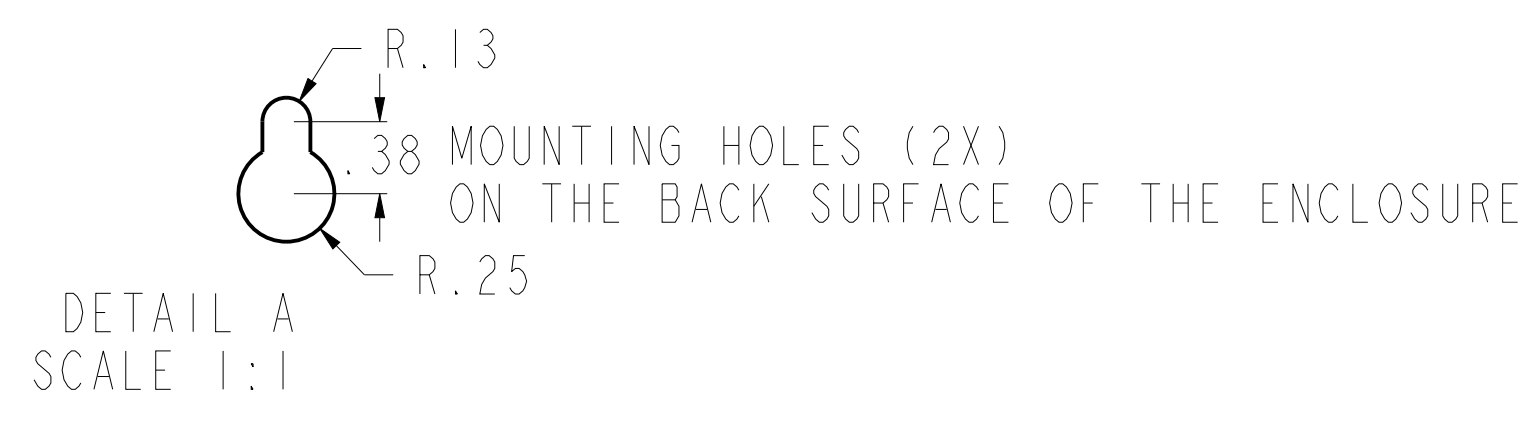
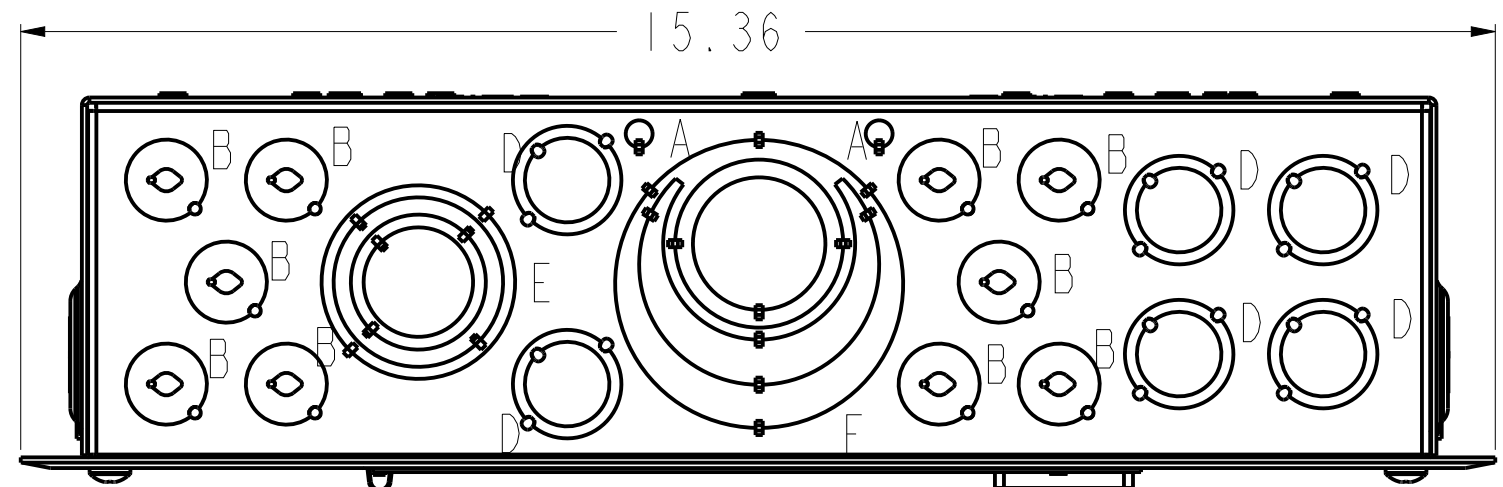
14

13

12

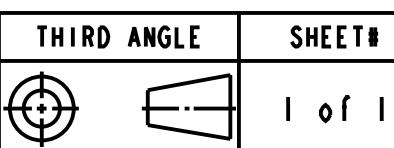
11

CAT NO.	MODEL
PM2415W	I
PM2415C	I
PM2420C	I
PM2420W	I



ALL DIMENSION HAVE +/- .125 TOLERANCE

KNOCKOUT TABLE		
SYMBOL	SIZE	QTY
A	9/32 KO	4
B	1/2 KO DIAMOND	20
C	1/2 KO	6
D	1/2 3/4 KO	19
E	3/4 - 1 - 1 1/4 - 1 1/2 KO	7
F	1 x 1 1/4 - 1 1/2 - 2 - 2 1/2 KO	8



ABB

09-Dec-21 03:06:05 PM
INDOOR LOAD CENTER ASM ENCL 24.69"

THIRD ANGLE	SHEET#	DWG NO.	DATE	REV
	1 of 1	10103091SH254	31-Jan-22	I

18

17

16

15

14

13

12

11