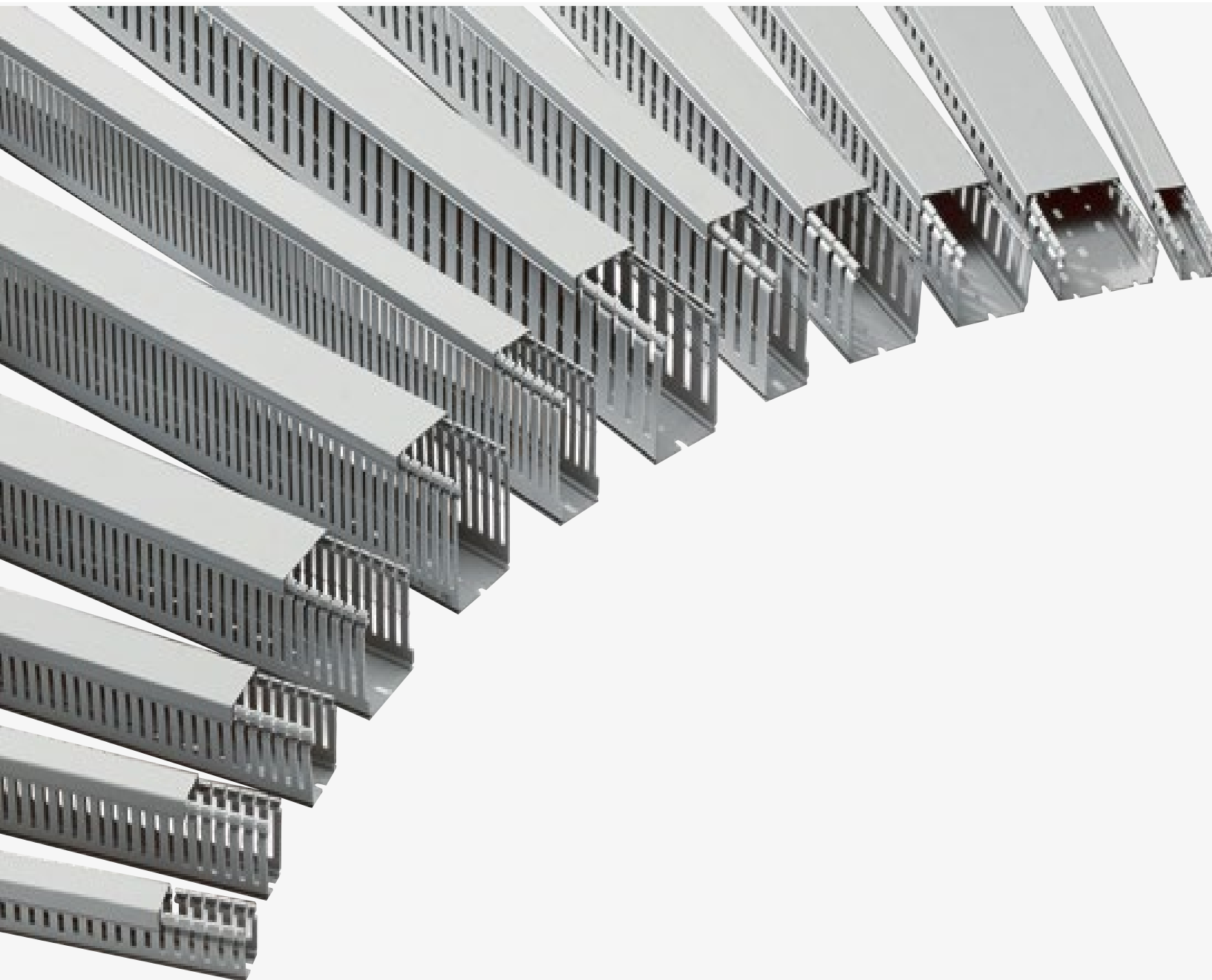



BROCHURE

Wiring ducts

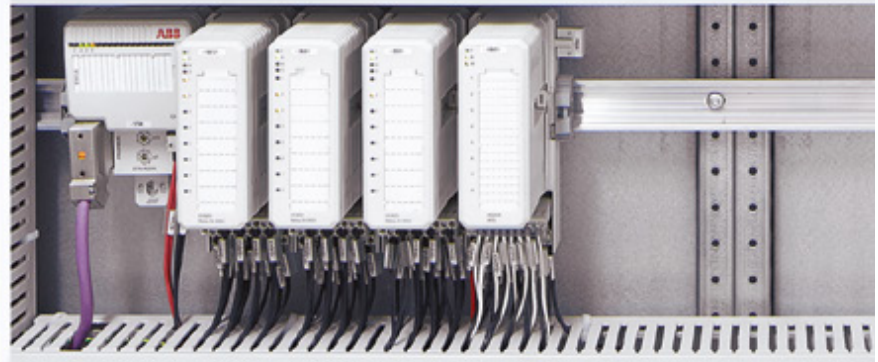
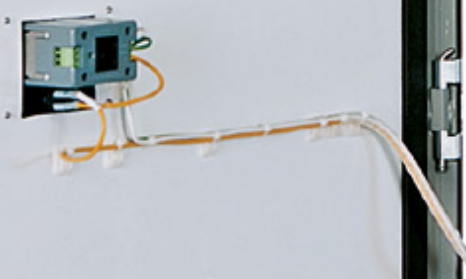
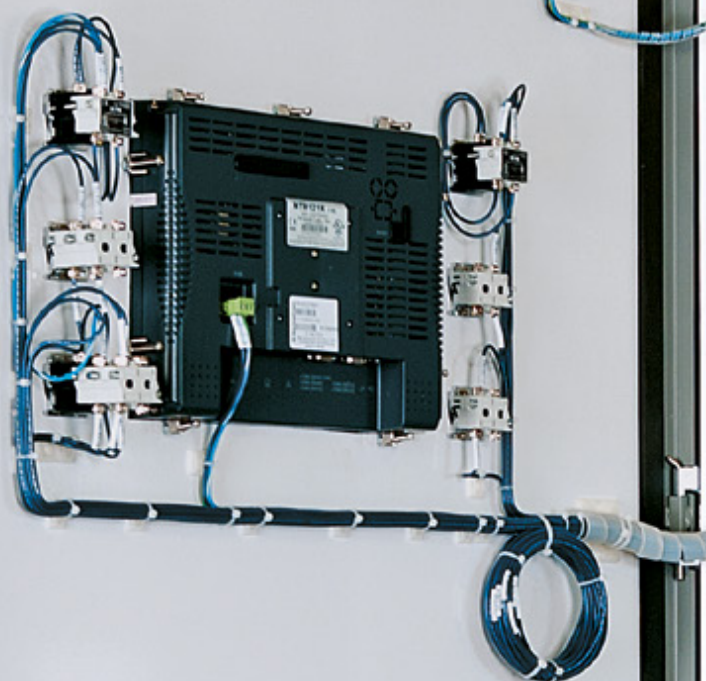
Easily allows for organization,
pulling and separation of cables



ABB's broad offering of wire & cable management solutions is designed to deliver the most effective, reliable and long lasting support for your cabling needs for various applications. When strength, reliability and performance are required, knowledgeable professionals turn to ABB for wire & cable management solutions.

Wiring ducts

5 - 6	Halogen free wiring ducts with vertical slots
7 - 9	Thermoplastic wiring ducts with vertical slots
10	Thermoplastic wiring ducts with circular knockouts
11 - 13	Overall dimensions



Wiring ducts

Halogen free wiring ducts with vertical slots



Specifications

- RAL 7035 grey
- Dimensional stability from -40 to +100 °C
- Halogen-free thermoplastic material
- Resistant to acids, oils and greases
- Standard 2-metre length

Standards

- Material in compliance with VDE 0472 Part 815 Standard:
Br + Cl < 0.2 %, F < 0.1 %
- Smoke toxicity index: 23.7 according to NF X70-100 and NF F16-101 Standards
- Smoke opacity index*: Dsm 336.2 (2 mm) V0F4 230.3 (2 mm) in compliance with NF X10-702 Standard (reference NF F16-101). In the event of fire, it is extremely important for the smoke opacity level to be as low as possible during the first 4 minutes in order to allow people to move away from the areas of risk
- On the basis of the values obtained during the smoke opacity and toxicity tests, the material falls within class F2 (in compliance with NF F16-101 Standard)
- Insulating, shock-proof, self-extinguishing material in compliance with UL 94 V0 Standard and resistant to abnormal heat and fire up to 960°C (glow wire test) in compliance with IEC 695-2-1 Standard
- Trunkings comply with the EN 50085-2-3 European Standard

Features

- Absence of burrs, rounded internal edges
- Dimensions and resilience of ribs guarantee repeated splaying during the wiring phase
- Controlled splaying of sides for guaranteeing a perfect seal of the cover in vertical sections and in the case of high temperatures
- Two prearranged trimming lines: one line at the basis of ribs in order to remove them by bending them towards the outside direction and another line at the basis of the wall in order to cut the edge when two connection ducts are used
- Cable holder mouldings halfway along the straight section of the ribs in 80 mm high ducts
- Fields of application: residential, industrial and commercial

Wiring ducts

Halogen free wiring ducts with vertical slots



Wiring duct with 8/12 mm slots

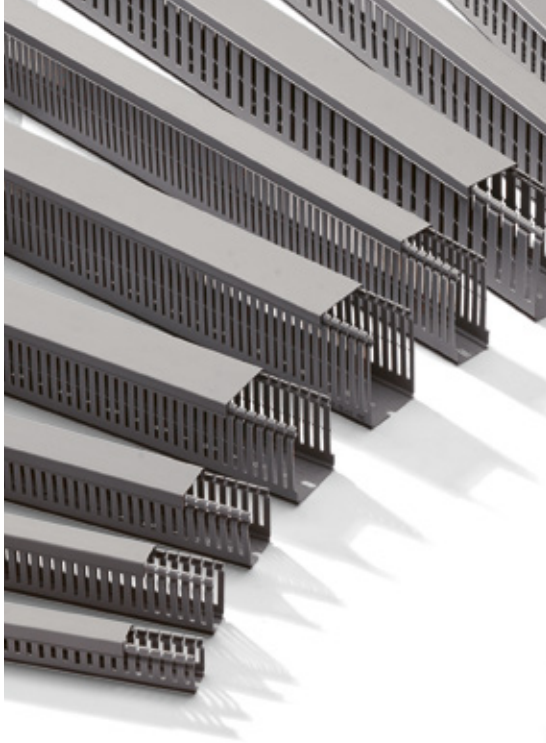
Product code	GID Number	Width [mm]	Height [mm]	Weight [Kg/m]	Pack [metres]
1SL9019A00	1SL9019A00	15	17	0,08	46
1SL9033A00	1SL9033A00	25	30	0,24	58
1SL9035A00	1SL9035A00	40	30	0,29	40
1SL9037A00	1SL9037A00	60	30	0,37	52
1SL9043A00	1SL9043A00	25	40	0,25	48
1SL9045A00	1SL9045A00	40	40	0,33	30
1SL9047A00	1SL9047A00	60	40	0,43	40
1SL9049A00	1SL9049A00	80	40	0,49	32
1SL9051A00	1SL9051A00	100	40	0,63	24
1SL9053A00	1SL9053A00	120	40	0,74	20
1SL9063A00	1SL9063A00	25	60	0,33	34
1SL9065A00	1SL9065A00	40	60	0,39	22
1SL9067A00	1SL9067A00	60	60	0,54	32
1SL9069A00	1SL9069A00	80	60	0,68	24
1SL9071A00	1SL9071A00	100	60	0,75	20
1SL9073A00	1SL9073A00	120	60	0,94	14
1SL9083A00	1SL9083A00	25	80	0,41	28
1SL9085A00	1SL9085A00	40	80	0,44	36
1SL9087A00	1SL9087A00	60	80	0,58	24
1SL9089A00	1SL9089A00	80	80	0,71	16
1SL9091A00	1SL9091A00	100	80	0,83	16
1SL9093A00	1SL9093A00	120	80	1,08	12

Wiring duct with 4/6 mm slots

Product code	GID Number	Width [mm]	Height [mm]	Weight [Kg/m]	Pack [metres]
1SL9119A00	1SL9119A00	15	17	0,08	46
1SL9133A00	1SL9133A00	25	30	0,24	58
1SL9135A00	1SL9135A00	40	30	0,27	40
1SL9137A00	1SL9137A00	60	30	0,36	52
1SL9143A00	1SL9143A00	25	40	0,27	48
1SL9145A00	1SL9145A00	40	40	0,30	30
1SL9147A00	1SL9147A00	60	40	0,39	40
1SL9149A00	1SL9149A00	80	40	0,51	32
1SL9151A00	1SL9151A00	100	40	0,65	24
1SL9153A00	1SL9153A00	120	40	0,75	20
1SL9163A00	1SL9163A00	25	60	0,34	34
1SL9165A00	1SL9165A00	40	60	0,41	22
1SL9167A00	1SL9167A00	60	60	0,53	32
1SL9169A00	1SL9169A00	80	60	0,61	24
1SL9171A00	1SL9171A00	100	60	0,76	20
1SL9173A00	1SL9173A00	120	60	0,96	14
1SL9183A00	1SL9183A00	25	80	0,40	28
1SL9185A00	1SL9185A00	40	80	0,47	36
1SL9187A00	1SL9187A00	60	80	0,62	24
1SL9189A00	1SL9189A00	80	80	0,71	16
1SL9191A00	1SL9191A00	100	80	0,83	16
1SL9193A00	1SL9193A00	120	80	1,10	12

Wiring ducts

Thermoplastic wiring ducts with vertical slots



Specifications

- Colour RAL 7030 grey
- Plastic, insulating, shock-proof, self-extinguishing material
- Minimum storage/transport temperature -5 °C
- Minimum installation and usage temperature -15 °C
- Maximum usage temperature +60 °C
- Resistant to acids, oils and greases
- Designed to snap onto the Fix-O-rapid special accessory, suitable to be fastened both to DIN rail and base plate
- The ribs are cut using a special pressing process (rounding of the edges) producing wiring ducts completely free of burr and rough edges
- The dimensions and resilience of the ribs ensure repeated splaying during cabling
- Cable holder mouldings half-way up the straight section of the ribs in 80 and 100-mm high wiring ducts
- Standard 2-metre length

Standards

- Material in compliance with UL 94 V0 Standard and resistant to abnormal heat and fire up to 960 °C (glow wire test) in compliance with IEC 695-2-1 Standard

Features

- No burr, rounded-off inner edges
- New rib profile makes it easy to open and close the cover and guarantees that it clips on more safely
- Controlled splaying of sides to ensure a perfect seal of the cover in the vertical sections and at high temperatures
- Double trimming line, one at the base of the ribs so that they can be removed by bending them outwards and one at the base of the lateral sides so that the edge can be cut when two wiring ducts are branched
- Cover can be opened without having to use a special tool
- Can be mounted on horizontal or vertical surfaces even when the cover is on the bottom
- Industrial application



Approved by Canadian
Standards Association



RINA Approved
Declaration
N° ELE/130607/CS



Approved by
Underwriters
Laboratories



IMQ mark in
compliance
with EN 50085-2-3

Wiring ducts

Thermoplastic wiring ducts with vertical slots



Wiring duct with 8/12 mm slots

Product code	GID Number	Width [mm]	Height [mm]	Weight [Kg/m]	Pack [metres]
05 019	M050190000	15	17	0,06	46
05 033	M050330000	25	30	0,21	58
05 035	M050350000	40	30	0,27	38
05 037	M050370000	60	30	0,38	52
05 043	M050430000	25	40	0,25	48
05 045	M050450000	40	40	0,31	30
05 047	M050470000	60	40	0,46	40
05 049	M050490000	80	40	0,47	32
05 051	M050510000	100	40	0,55	24
05 053	M050530000	120	40	0,65	20
05 063	M050630000	25	60	0,24	34
05 065	M050650000	40	60	0,34	22
05 067	M050670000	60	60	0,47	32
05 069	M050690000	80	60	0,52	24
05 071	M050710000	100	60	0,59	20
05 073	M050730000	120	60	0,73	14
05 083	M050830000	25	80	0,29	28
05 085	M050850000	40	80	0,38	36
05 087	M050870000	60	80	0,50	24
05 089	M050890000	80	80	0,59	16
05 091	M050910000	100	80	0,68	16
05 093	M050930000	120	80	0,89	12
05 094	M050940000	25	100	0,46	20
05 095	M050950000	40	100	0,53	28
05 096	M050960000	60	100	0,73	20
05 097	M050970000	80	100	0,91	14
05 098	M050980000	100	100	1,06	8
05 099	M050990000	150	100	1,37	8



Wiring duct with 4/6 mm slots

Product code	GID Number	Width [mm]	Height [mm]	Weight [Kg/m]	Pack [metres]
05 119	M051190000	15	17	0,06	46
05 133	M051330000	25	30	0,21	58
05 135	M051350000	40	30	0,27	38
05 137	M051370000	60	30	0,38	52
05 143	M051430000	25	40	0,25	48
05 145	M051450000	40	40	0,31	30
05 147	M051470000	60	40	0,46	40
05 149	M051490000	80	40	0,47	32
05 151	M051510000	100	40	0,55	24
05 153	M051530000	120	40	0,65	20
05 163	M051630000	25	60	0,24	34
05 165	M051650000	40	60	0,34	22
05 167	M051670000	60	60	0,47	32
05 169	M051690000	80	60	0,52	24
05 171	M051710000	100	60	0,59	20
05 173	M051730000	120	60	0,73	14
05 183	M051830000	25	80	0,29	28
05 185	M051850000	40	80	0,38	36
05 187	M051870000	60	80	0,50	24
05 189	M051890000	80	80	0,59	16
05 191	M051910000	100	80	0,68	16
05 193	M051930000	120	80	0,89	12
05 194	M051940000	25	100	0,46	20
05 195	M051950000	40	100	0,53	28
05 196	M051960000	60	100	0,73	20
05 197	M051970000	80	100	0,91	14
05 198	M051980000	100	100	1,06	8
05 199	M051990000	150	100	1,37	8

Wiring ducts

Thermoplastic wiring ducts with vertical slots



Spare covers

Product code	GID Number	Description	Unit/pack [metres]
05 300	M053000000	Trunking base 15 mm	2/200
05 302	M053020000	Trunking base 25 mm	2/60
05 304	M053040000	Trunking base 40 mm	2/40
05 306	M053060000	Trunking base 60 mm	2/24
05 308	M053080000	Trunking base 80 mm	2/16
05 310	M053100000	Trunking base 100 mm	2/48
05 312	M053120000	Trunking base 120 mm	2/36
05 314	M053140000	Trunking base 150 mm	2/28



Spare covers Halogen free

Product code	GID Number	Description	Unit/pack [metres]
1SL5316A00	1SL5316A00	Trunking base 15 mm	2/200
1SL5317A00	1SL5317A00	Trunking base 25 mm	2/60
1SL5318A00	1SL5318A00	Trunking base 40 mm	2/40
1SL5319A00	1SL5319A00	Trunking base 60 mm	2/24
1SL5320A00	1SL5320A00	Trunking base 80 mm	2/16
1SL5321A00	1SL5321A00	Trunking base 100 mm	2/48
1SL5322A00	1SL5322A00	Trunking base 120 mm	2/36



Duct shears

Product code	GID Number	Pack [pieces]
05 265	M052650000	1



Rivet fastener

Product code	GID Number	Description	Box / Pack [pieces]
05 266	M052660000	For ø 4 and 6mm rivets	1/12



Plastic cable retainer

Product code	GID Number	Description	Pack [pieces]
05 224	M052240000	Trunking base 40 mm	100
05 226	M052260000	Trunking base 60 mm	100
05 228	M052280000	Trunking base 80 mm	100
05 230	M052300000	Trunking base 100/120 mm	100



Plastic label tag

Product code	GID Number	Description	Pack [pieces]
05 240	M052400000	Suitable for wiring ducts with 8/12 mm slots only.	100



Plastic rivet

Product code	GID Number	Description	Pack [pieces]
05 214	M052140000	ø 4 mm	100
05 216	M052160000	ø 6 mm	100

Wiring ducts

Thermoplastic wiring ducts with circular knockouts



Specifications

- Colour RAL 7030 grey
- Plastic, insulating, shock-proof, self-extinguishing material
- Dimensional stability from -20 to +60°C
- Resistant to acids, oils and greases
- Standard 2-metre length

Standards

- Material in compliance with UL 94 V0 Standard and resistant to abnormal heat and fire up to 960°C (glow wire test) in compliance with IEC 695-2-1 Standard

Features

- Circular knockouts on sides with alternate diameters of 18 and 23 mm and interaxis of 50 mm
- Ideal solution for branch connection of rigid or corrugated conduits
- Specially designed for specific applications, such as lifts
- Industrial application



Flexible wiring duct Slot pitch 7.5/5.

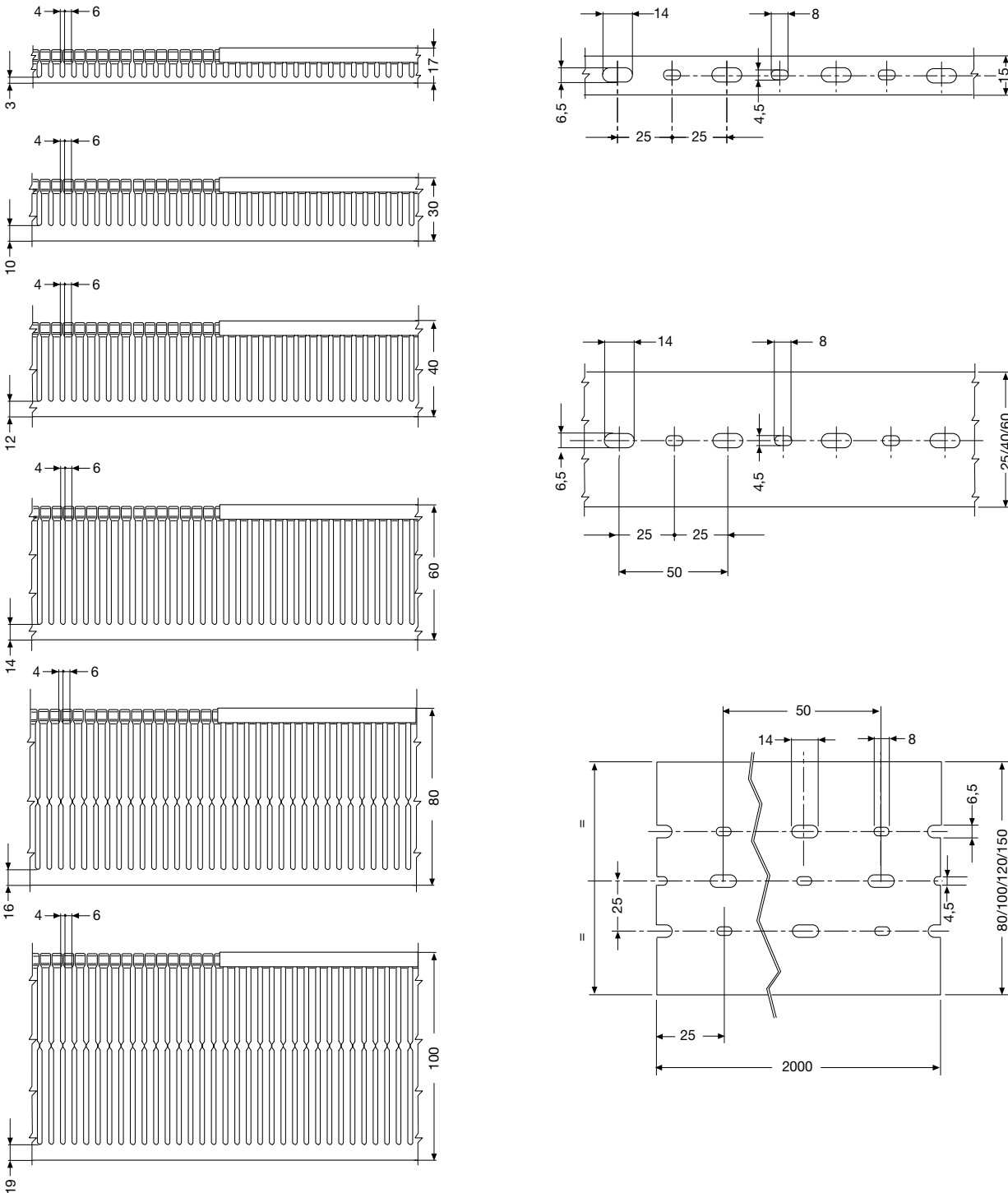
Product code	GID Number	Width [mm]	Height [mm]	Weight [Kg/piece]	Pack [pieces]
05 330	M053300000	50	50	0,603	36
05 331	M053310000	100	60	0,952	18

Wiring ducts

Overall dimensions halogen free wiring ducts

Thermoplastic and halogen free wiring ducts with 4/6 mm slots

CEI 23-22 Standard applies to plastic wiring ducts and their accessories to be used in the mechanical protection and support of cables in switchboards, in application with a maximum rated voltage of 1000 V in alternate current and 1500 V in direct current. Thermoplastic wiring ducts have obtained the IMQ certification.



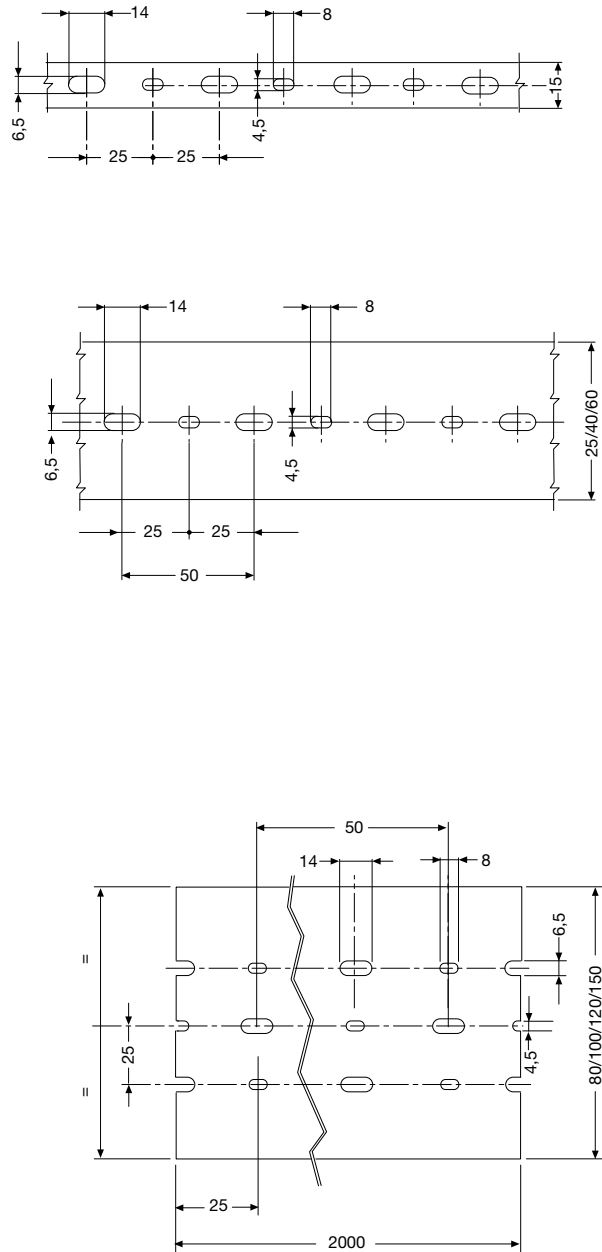
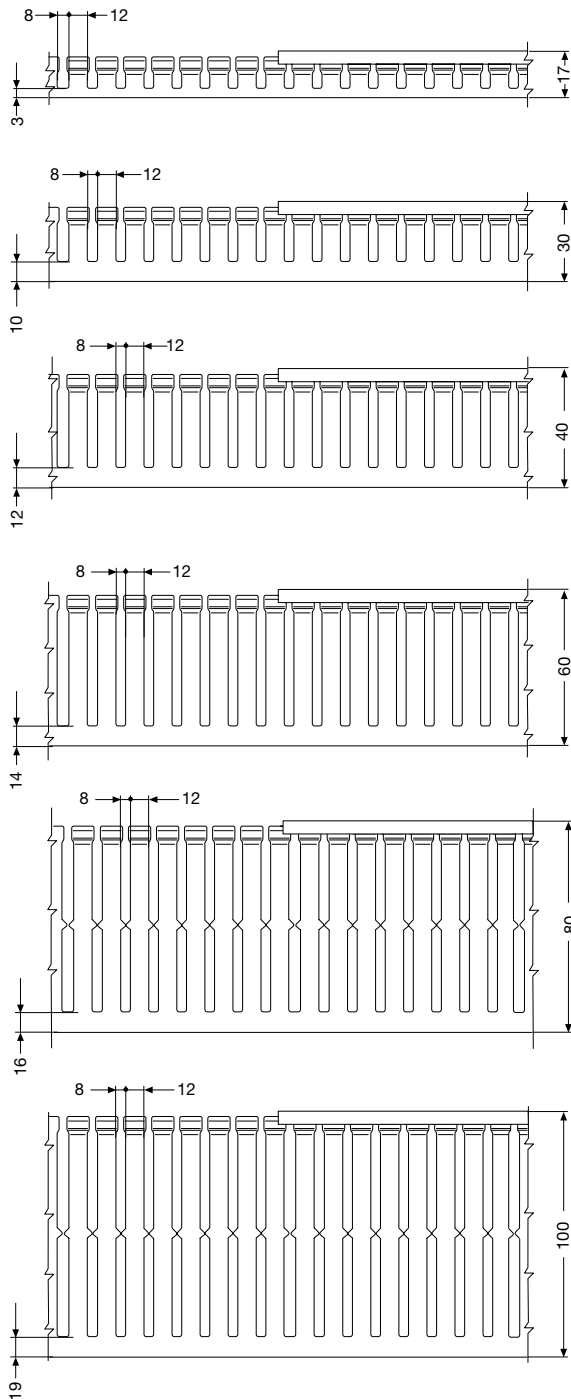
H 100: only the thermoplastic material ducts

Wiring ducts

Overall dimensions thermoplastic wiring ducts

Thermoplastic and halogen free wiring ducts with 8/12 mm slots

CEI 23-22 Standard applies to plastic wiring ducts and their accessories to be used in the mechanical protection and support of cables in switchboards, in application with a maximum rated voltage of 1000 V in alternate current and 1500 V in direct current. Thermoplastic wiring ducts have obtained the IMQ certification.

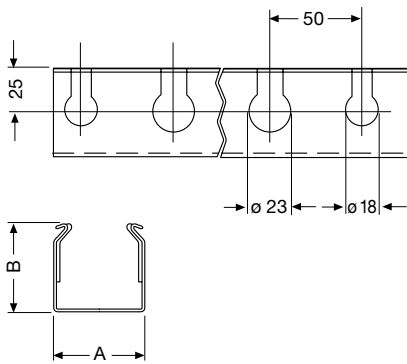


H 100: only the thermoplastic material ducts

Wiring ducts

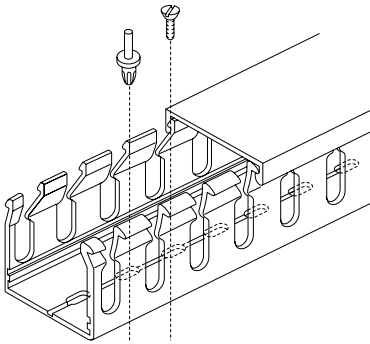
Overall dimensions thermoplastic wiring ducts

Ducts with round holes



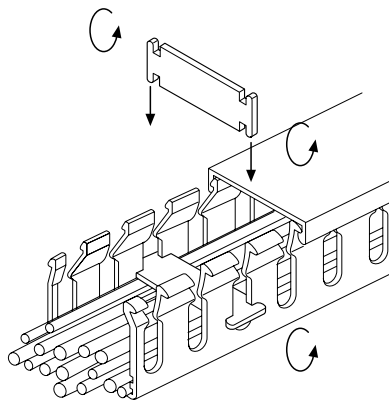
Product code	GID Number	A	B
05 330	M053300000	50	50
05 331	M053310000	100	60

Plastic rivets and wiring duct bases



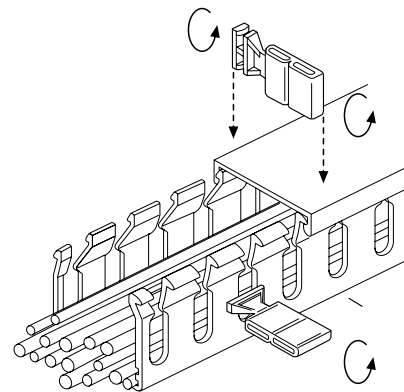
Product code	GID Number
05 214	M052140000
05 216	M052160000
05 210	M052100000

Plastic cable retainers



Product code	GID Number
05 224	M052240000
05 226	M052260000
05 228	M052280000
05 230	M052300000

Plastic label tag



Product code	GID Number
05 240	M052400000





—
ABB b.v.

**ABB Electrification Business Area
Installation Products**

George Hintzenweg 81, 3068 AX Rotterdam
Postbus 301, 3000 AH Rotterdam

Algemene informatie





abb.nl/lowvoltage

Support

abb-elsupport.nl



Volg ABB ook via:

-  ABB Electrification NL
-  ABB Electrification
-  ABB Electrification
-  ABB Electrification NL