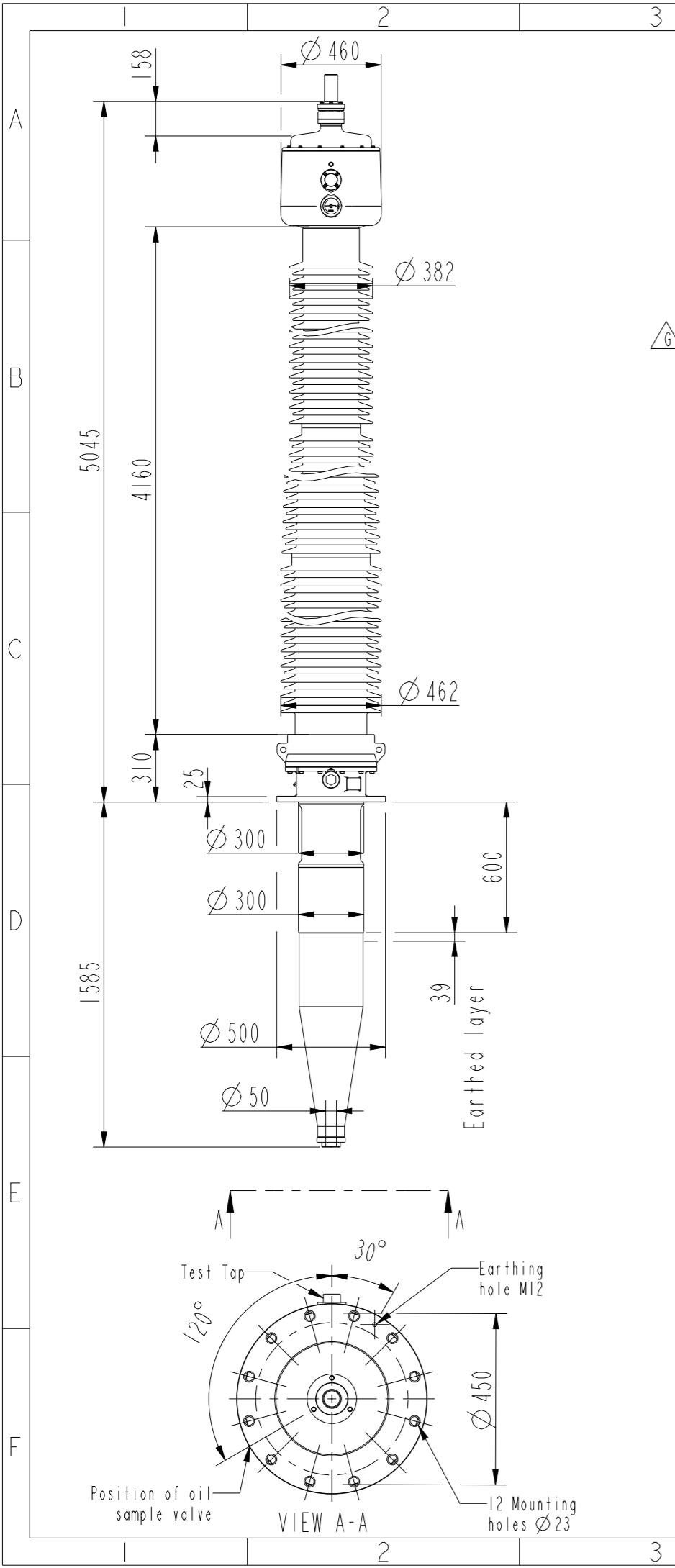


This document is issued by means of a computerized system. The digitally stored original is electronically approved. The approved document has a date entered in the "Approved"-field. A manual signature is not required.

We reserve all rights in this document and in the information contained therein. Reproduction, use or disclosure to third parties without express authority is strictly forbidden. © 2022 Hitachi Energy.



Bushing Data:

Rated Voltage	550 kV
Phase to-earth Voltage	318 kV
Dry Lightning Impulse 1,2/50µs	1550 kV
Wet Switching Impulse	1175 kV
Wet Power frequency AC	N.A kV
Routine test 1min dry 50Hz	750 kV
Rated Current	1600 A
Creepage Distance Nominal	15200 mm
Creepage Distance Minimum	14850 mm
Mass	1131 kg

Ordering Data:

BUSHING	COLOUR AIR INSULATOR
IZSC903550-AAB	Brown
IZSC903550-DAB	Grey
DRAW ROD SYSTEM	
LF170 097	UPPER DRAW ROD
LF170 098	LOWER DRAW ROD

OUTER TERMINAL

	Material	D2 (mm)
LF170 090-A	Al	Ø 30
LF170 090-B	Al	Ø 60
LF170 090-C	Cu	Ø 30
LF170 090-E	Cu	Ø 60
LF170 090-G	Cu/Ag	2"-12UN

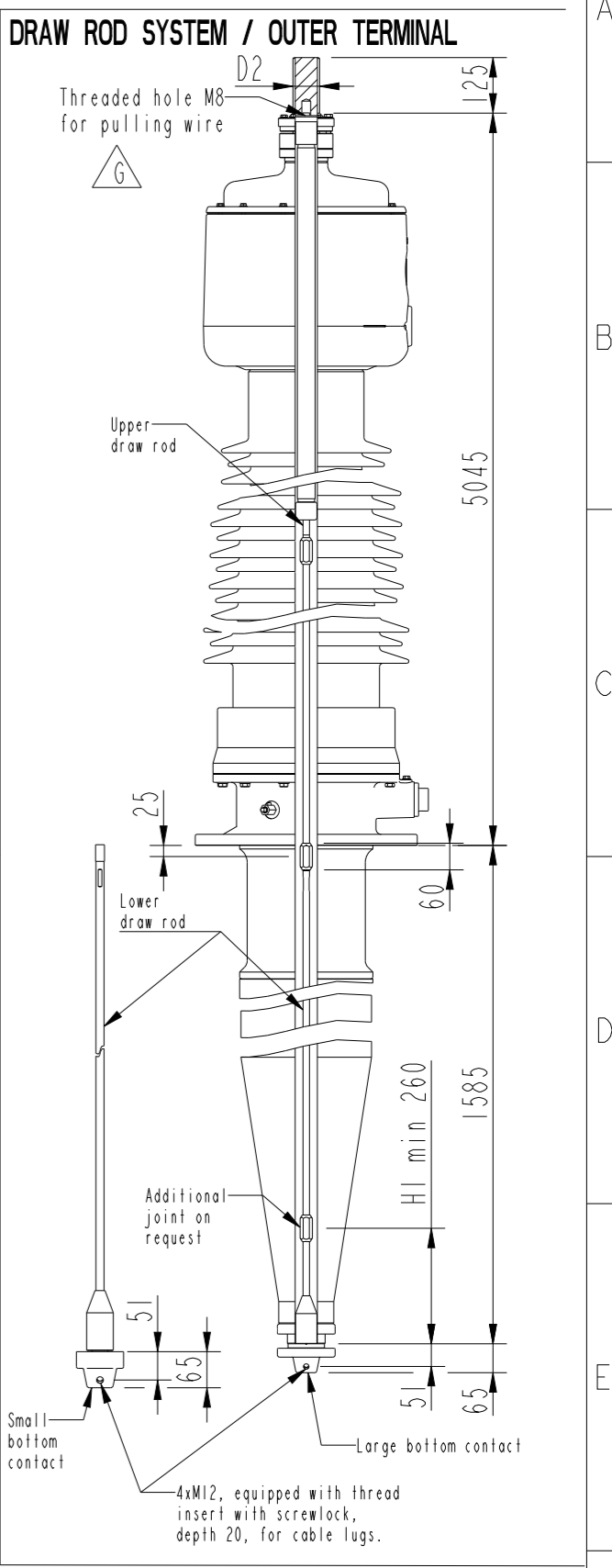
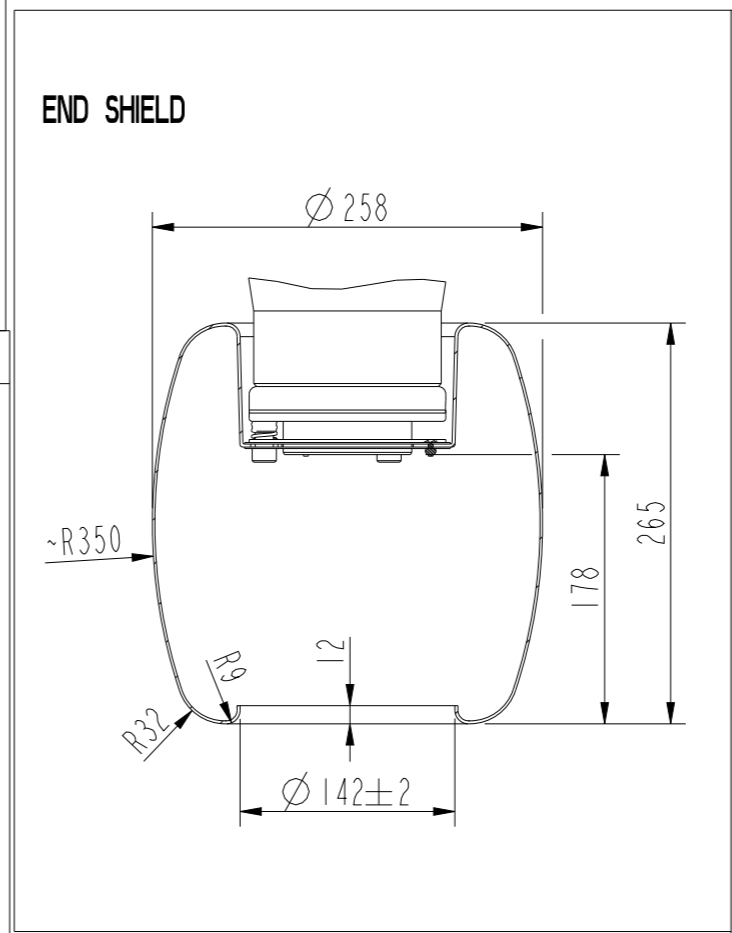
END-SHIELD

LF170 092-K	Epoxy insulated
LF170 092-L	Insulated with 3mm pressboard

Ludvika, Sweden

No.	Um/Uy	kV Ir	A	50/60 Hz
BIL	kV	SIL	kV	AC
M	kg	L	mm	°
C1	pF	Tan δ		x
C2	pF	Tan δ		x

Revision	Revision text
G	Inner terminal details removed & mass updated.



CREATED BY Dhanasekar P	CREATED ON 2022-09-16	APPROVED BY Natalia Gutman	APPROVED ON 2022-12-06
DOCUMENT KIND Dimension Drawing	TITLE / SUPPLEMENTARY TITLE GOE(2) 1550-1175-1600-0,6		
RESPONSIBLE DEPARTMENT SEABB-9AAE300824	RESPONSIBLE COMPANY Hitachi Energy Sweden AB		
RESPONSIBLE COMPANY Hitachi Energy Sweden AB	DOCUMENT ID 2751369-335	STATUS Approved	REVISION G
		SHEET 1/1	