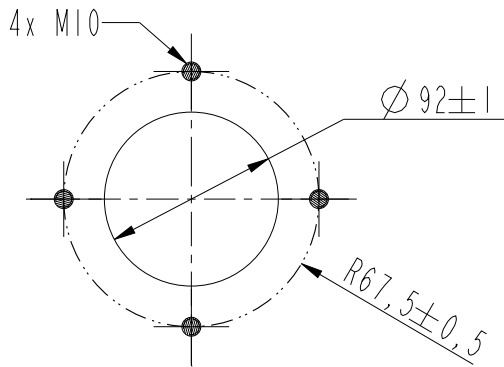
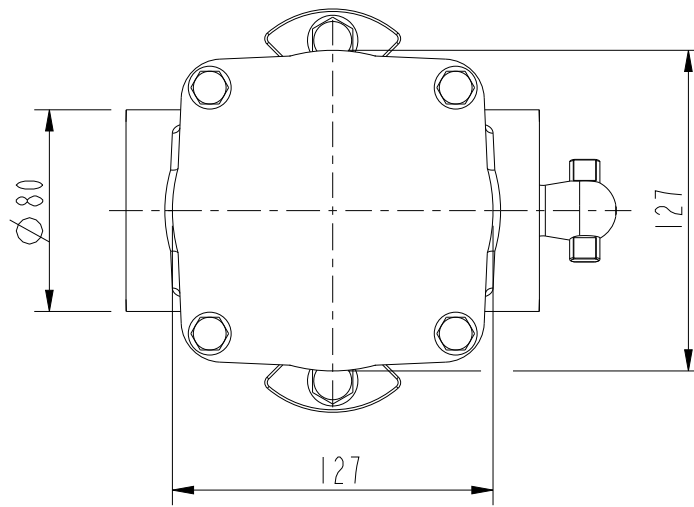
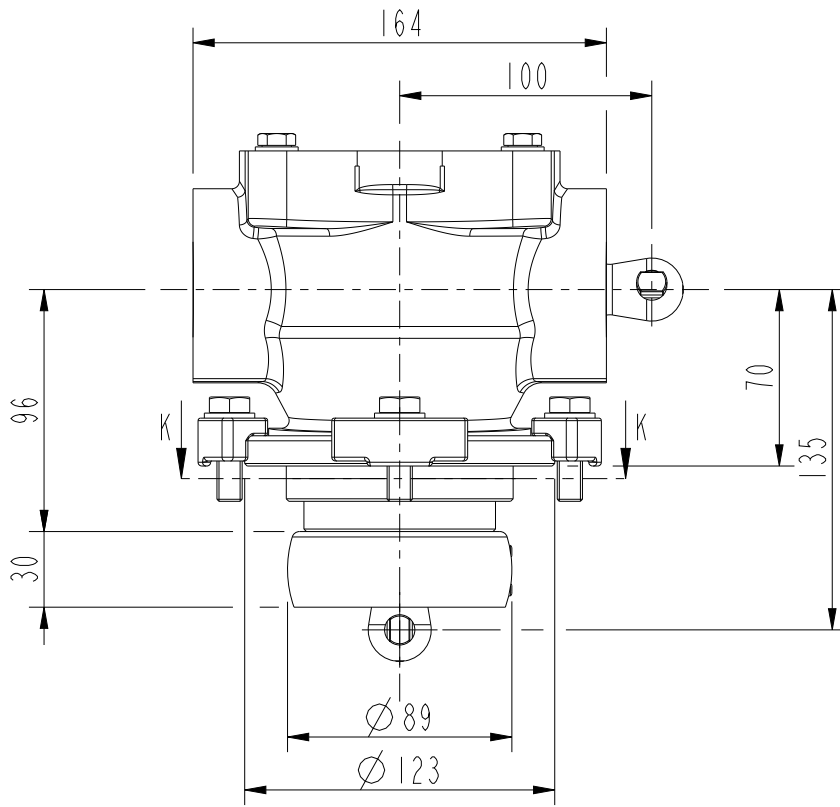


This document is issued by means of a computerized system. The digitally stored original is electronically approved. The approved document has a date entered in the "Approved"-field. A manual signature is not required.



K-K
Drilling plan for collet jaws
for mounting of bevel gear

We reserve all rights in this document and in the information contained therein. Reproduction, use or disclosure to third parties without express authority is strictly forbidden.

Approved 2022-03-30	Document Kind Dimension Drawing	Based on doc.id	Work order id	Project id
Company Hitachi Energy Sweden AB	Title, Supplementary title Bevel gear			
Responsible Department SEABB-9AAE300824	-			
ABB	Document id 54920083-1	Status Approved	Revision B	Iteration 5
			Sheet 1/1	