

TECHNICAL DATA SHEET - INTERACTIVE PDF

Round box, old/new work

Wall box, 3 1/2" diameter

Premium old/new work round box in Carlton Super Blue® material



01



02

Certifications / Standards:



3-Part Specification: 26 05 33.17

End User Tools

01 BH614R - no grounding lug
02 BH614RP - with grounding lug

Features:

- Resists cracking and breaking in extreme environments
- Diameter of 3 1/2"
- Volume of 14.5 in³

Applications:

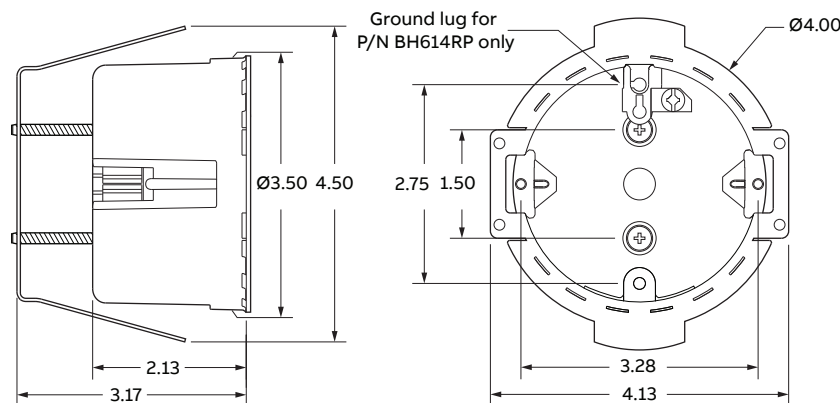
- Suitable for wall lighting support up to 10 lbs.

Conforms to:

- UL 514C

Material / Finishes:

- PC / Carlton Super Blue®



Warning!

- * Do not apply solvents to any polycarbonate electrical boxes
- * Do not spray paint polycarbonate electrical boxes with any solvent-based paint
- * Do not spray paint polycarbonate electrical boxes with spray paint application which includes any solvent

tnb.abb.com (US/Latin America)
tnb.ca.abb.com (Canada)
abb.com

We reserve the right to make technical changes or modify the contents of this document without prior notice. With regard to purchase orders, the agreed particulars shall prevail. ABB does not accept any responsibility whatsoever for potential errors or possible lack of information in this document.

We reserve all rights in this document and in the subject matter and illustrations contained therein. Any reproduction – in whole or in part – is forbidden without prior written consent of ABB. © 2021 ABB Installation Products Inc. and/or its related companies. All Rights Reserved.