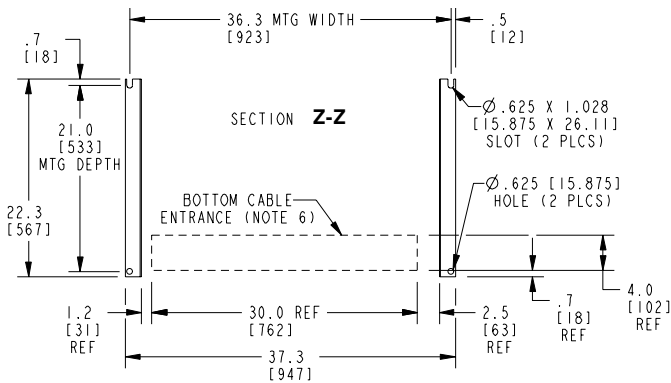
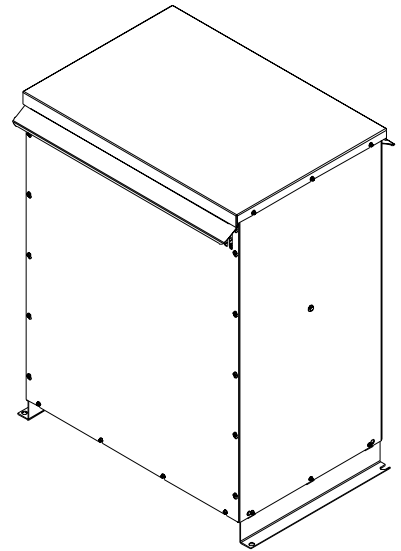
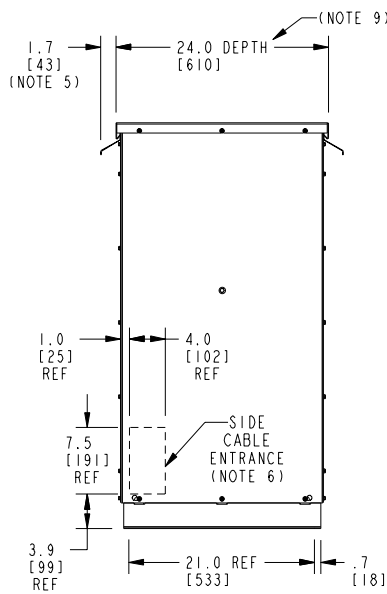
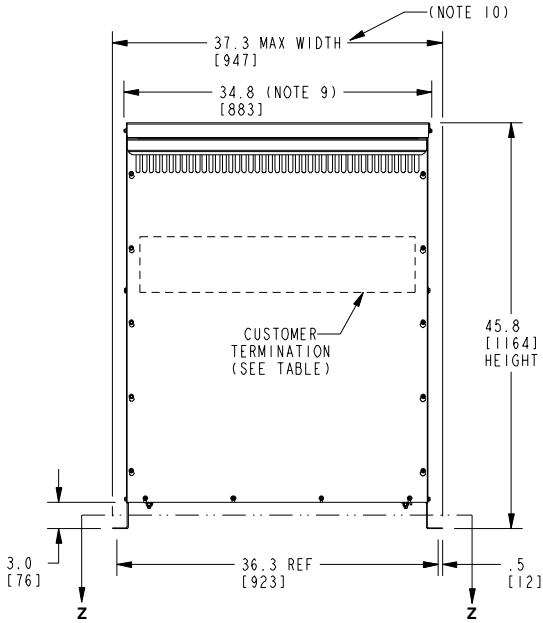


FRONT VIEW

SIDE VIEW

ISOMETRIC VIEW



BOTTOM VIEW OF MOUNTING AND CABLE ENTRANCE

CUSTOMER TERMINATION			
LOCATION	CONNECTION TYPE	HOLE SIZE	HOLE QTY
PRIMARY BUS BARS	STANDARD BUS BAR (LUGS ARE OPTIONAL)	.40 [10.2] DIA	2 PER BUS BAR
SECONDARY BUS BARS			

APPROX TOTAL WEIGHT LBS [KG]	
PAINTED:	1085 [492]
STAINLESS STEEL:	1105 [501]

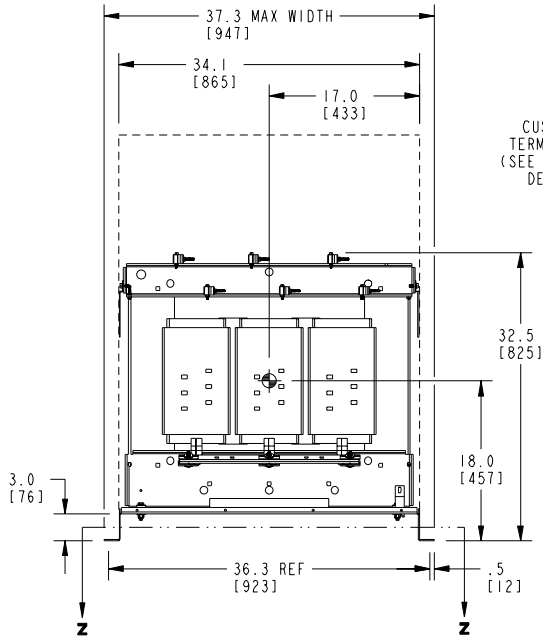
kVA RATING:
K-FACTOR:
PRI VOLTAGE:
SEC VOLTAGE:
FREQ (Hz):
TEMP RISE:
WINDING MATL:
ES SHIELD:
SOUND LVL (dB):

NOTES:

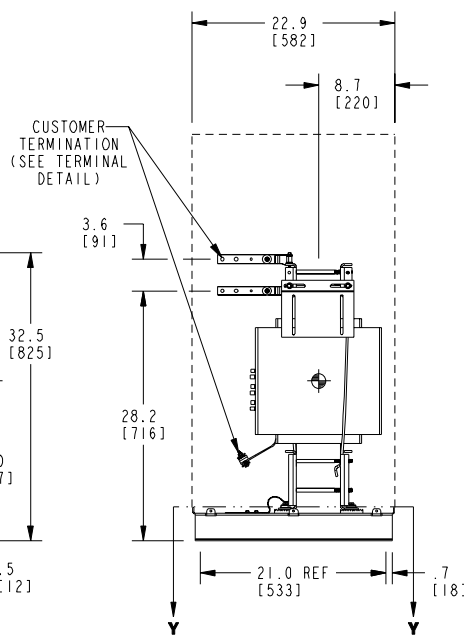
- 1) ALL UNITS ARE UL LISTED AND ARE DESIGNED PER NEMA ST-20 STANDARDS.
- 2) THE TEMPERATURE RISE LISTED WAS DETERMINED WHEN THE TRANSFORMER WAS MOUNTED IN A STANDARD NEMA-2 ENCLOSURE.
- 3) TRANSFORMER IS DESIGNED FOR FLOOR MOUNTING. OPTIONAL WALL MOUNTING BRACKETS ARE NOT AVAILABLE FOR THIS DESIGN/STYLE.
- 4) TRANSFORMER IS DRY TYPE, CLASS AA, WITH VENTILATED ENCLOSURE FOR INDOOR USE. OPTIONAL RAIN SHIELD KITS ARE AVAILABLE TO ADAPT UNIT FOR TYPE 3R OUTDOOR USE WITHOUT VOIDING THE WARRANTY.
- 5) APPLICABLE WHEN OPTIONAL RAIN SHIELDS ARE INSTALLED. RAIN SHIELDS ARE SHIPPED IN KITS FOR FIELD INSTALLATION.
- 6) CABLE ENTRANCE IS PERMITTED THROUGH THE LEFT SIDE, RIGHT SIDE AND/OR BOTTOM ENTRANCE ONLY. CABLE ENTRANCE IS NOT PERMITTED THROUGH THE FRONT, REAR OR TOP PANELS.
- 7) FOR LIFTING OTHER THAN WITH A FORK TRUCK, REMOVE TOP COVER AND USE 1" [25 MM] DIAMETER HOLES IN THE TOP CORE CLAMPS.
- 8) ENCLOSURE PAINT COLOR IS ANSI #61 GRAY.
- 9) 6" [152 MM] MINIMUM CLEARANCE IS REQUIRED FROM ALL WALLS.
- 10) USE THIS DIMENSION WHEN PLANNING THE MOUNTING PAD.

JOB NAME:	UNLESS OTHERWISE SPECIFIED ALL DIMENSIONS ARE INCH [MM]	ABB
	THIRD ANGLE PROJECTION 	
electrification.us.abb.com	SHEET 1 OF 2	CATALOG #
CAD DRAWING: 303B111GEDYP76C		REV 3

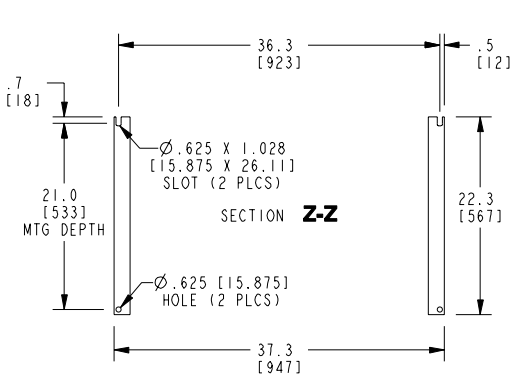
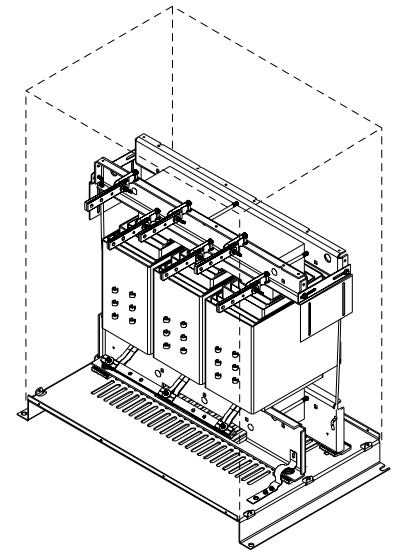
FRONT VIEW



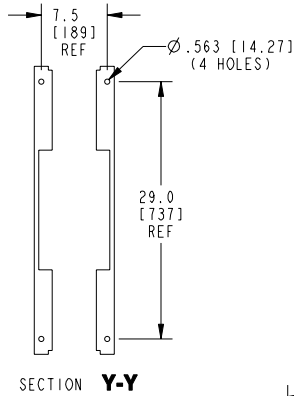
SIDE VIEW



ISOMETRIC VIEW

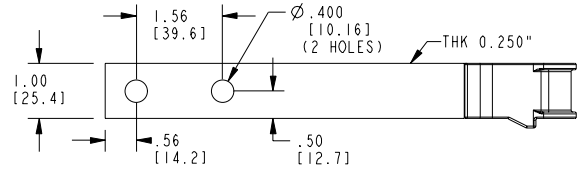


BOTTOM VIEW OF MOUNTING HOLE PATTERN

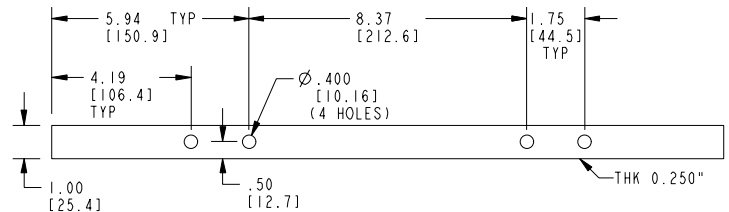


BOTTOM VIEW OF MOUNTING HOLE PATTERN WITHOUT BASE ATTACHED

TERMINAL DETAIL



Xs & Hs TERMINAL



X0 TERMINAL

CONNECTION TYPE: STANDARD BUS BAR (LUGS ARE OPTIONAL).

APPROX TOTAL WEIGHT LBS [KG]
PAINTED: 960 [435]

kVA RATING:
K-FACTOR:
PRI VOLTAGE:
SEC VOLTAGE:
FREQ (Hz):
TEMP RISE:
WINDING MATL:
ES SHIELD:
SOUND LVL (dB):

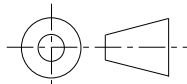
NOTES:

- 1) ALL UNITS ARE UL LISTED AND ARE DESIGNED PER NEMA ST-20 STANDARDS.
- 2) THE TEMPERATURE RISE LISTED WAS DETERMINED WHEN THE TRANSFORMER WAS MOUNTED IN A STANDARD NEMA-2 ENCLOSURE.
- 3) TRANSFORMER IS DRY TYPE, CLASS AA FOR INDOOR USE.
- 4) FOR LIFTING OTHER THAN WITH A FORK TRUCK, USE 1" [25 MM] DIAMETER HOLES IN THE TOP CORE CLAMPS.
- 5) BASE PAINT COLOR IS ANSI #61 GRAY.
- 6) 6" [152 MM] MINIMUM CLEARANCE IS REQUIRED FROM ALL WALLS.
- 7) ⦿ INDICATES APPROXIMATE CENTER OF GRAVITY.

JOB NAME:

UNLESS OTHERWISE SPECIFIED
 ALL DIMENSIONS ARE INCH [MM]

THIRD ANGLE PROJECTION



DRY TYPE TRANSFORMER OUTLINE DRAWING
TYPE QL, 3-PHASE, DOE 2016 EFFICIENCY
(CORE & COIL UNIT)

electrification.us.abb.com

CAD DRAWING: 303B111GEDYP76C

SHEET 2 OF 2

CATALOG #

REV **3**