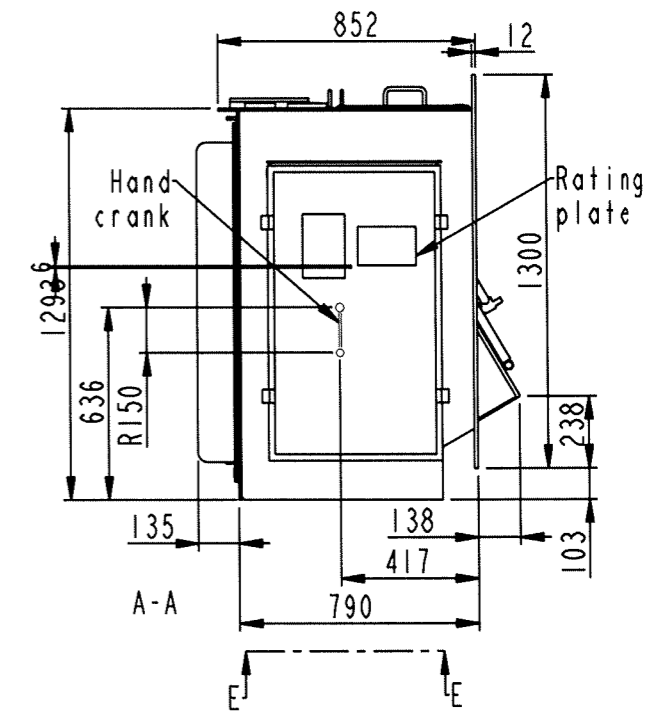
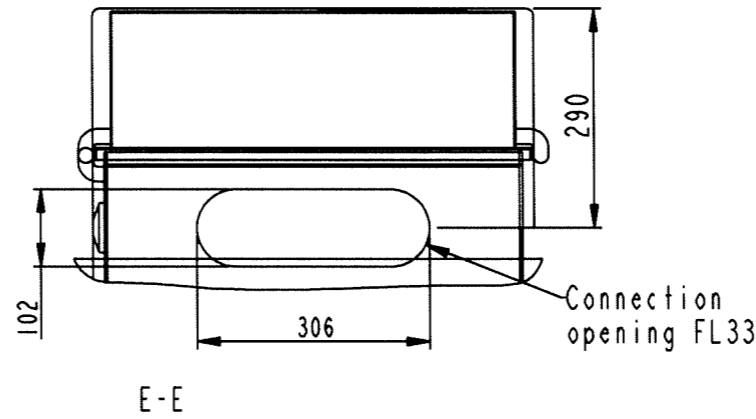
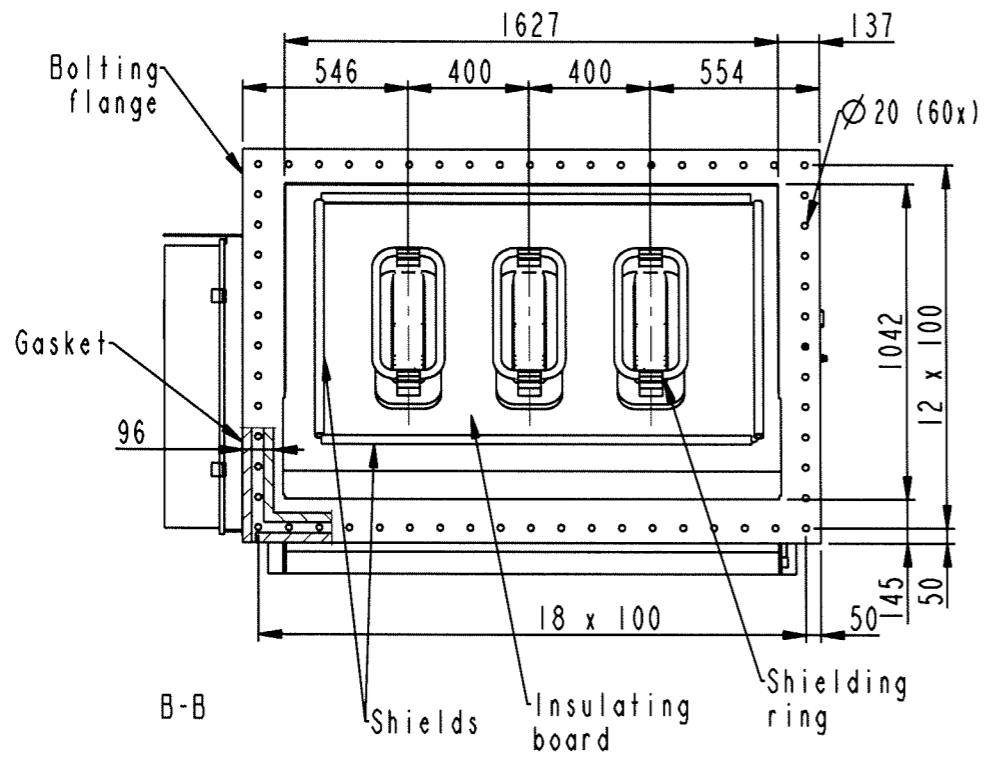
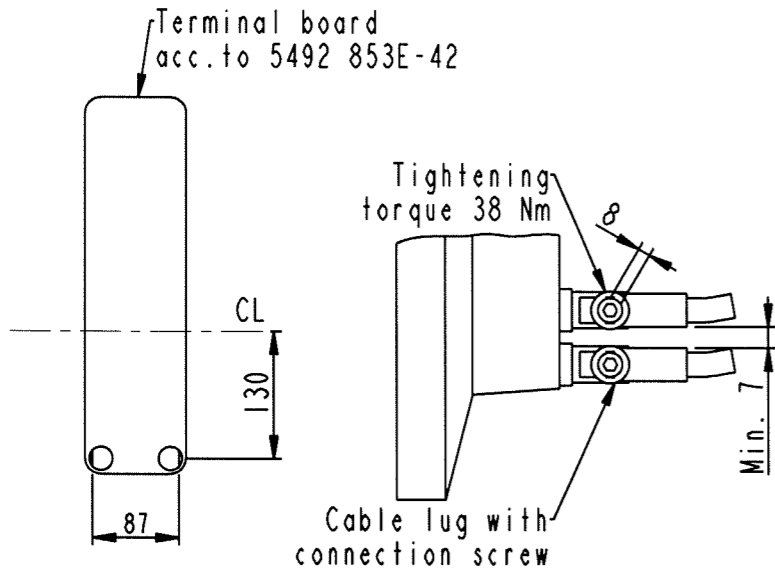
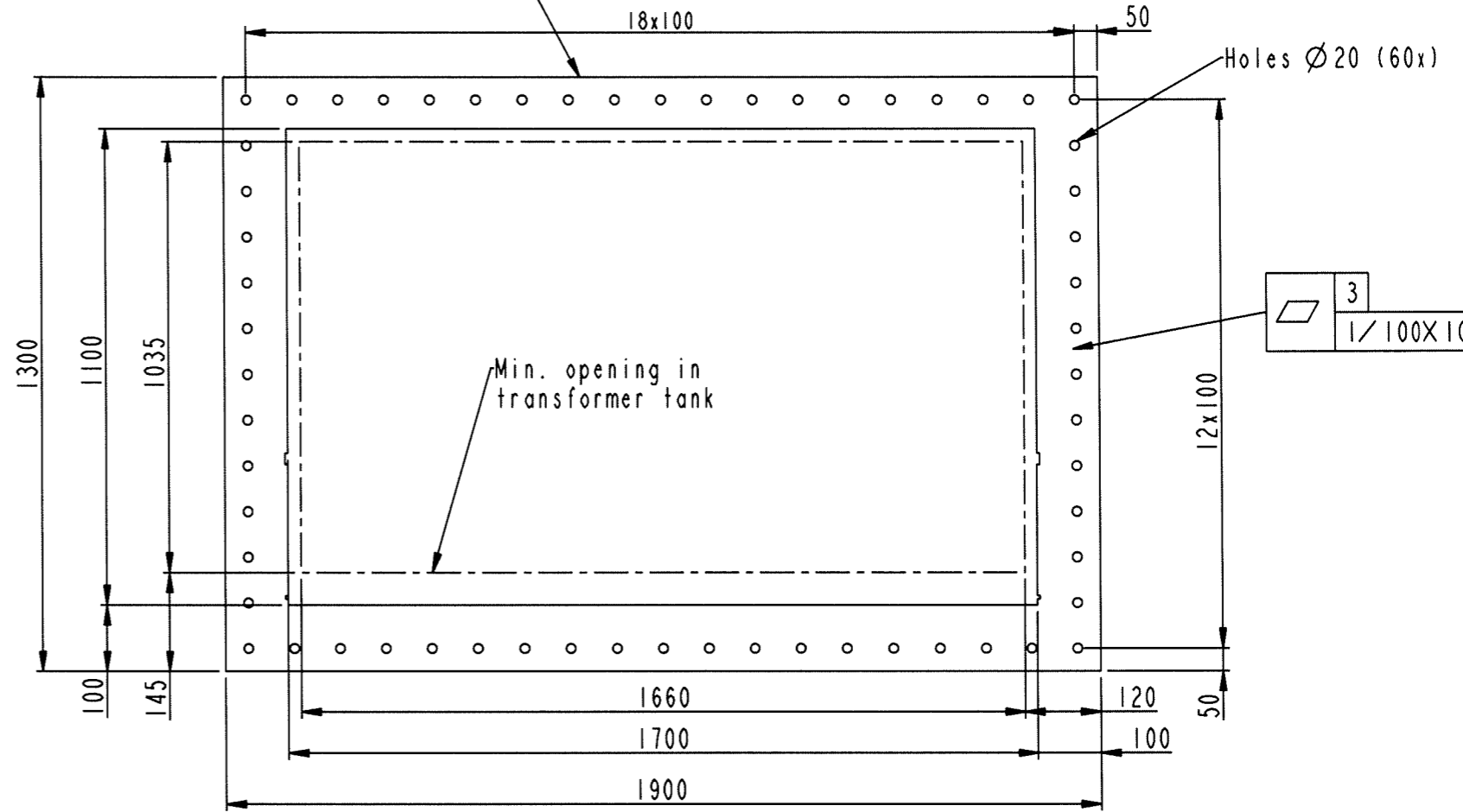


We reserve all rights in this document and in the information contained therein. Reproduction, use or disclosure to third parties without express authority is strictly forbidden. ©ABB



Flange and opening in transformer tank

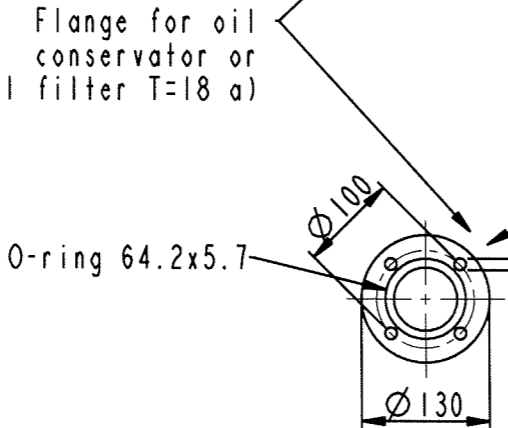
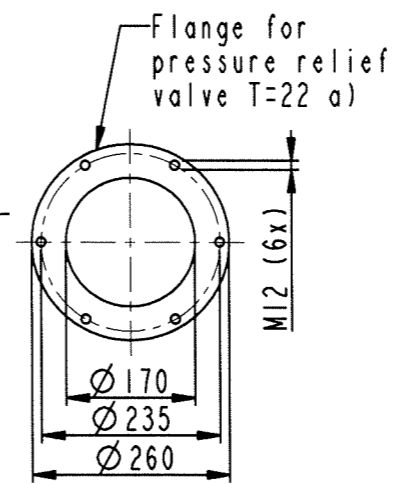
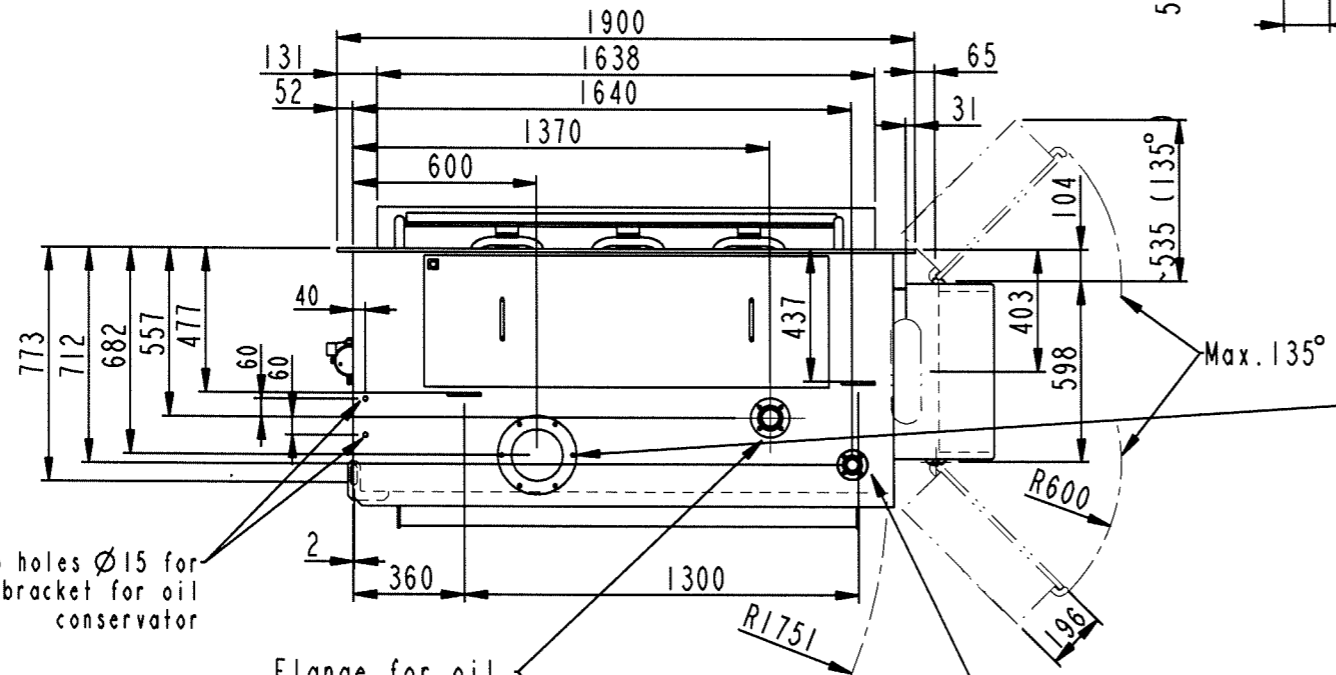
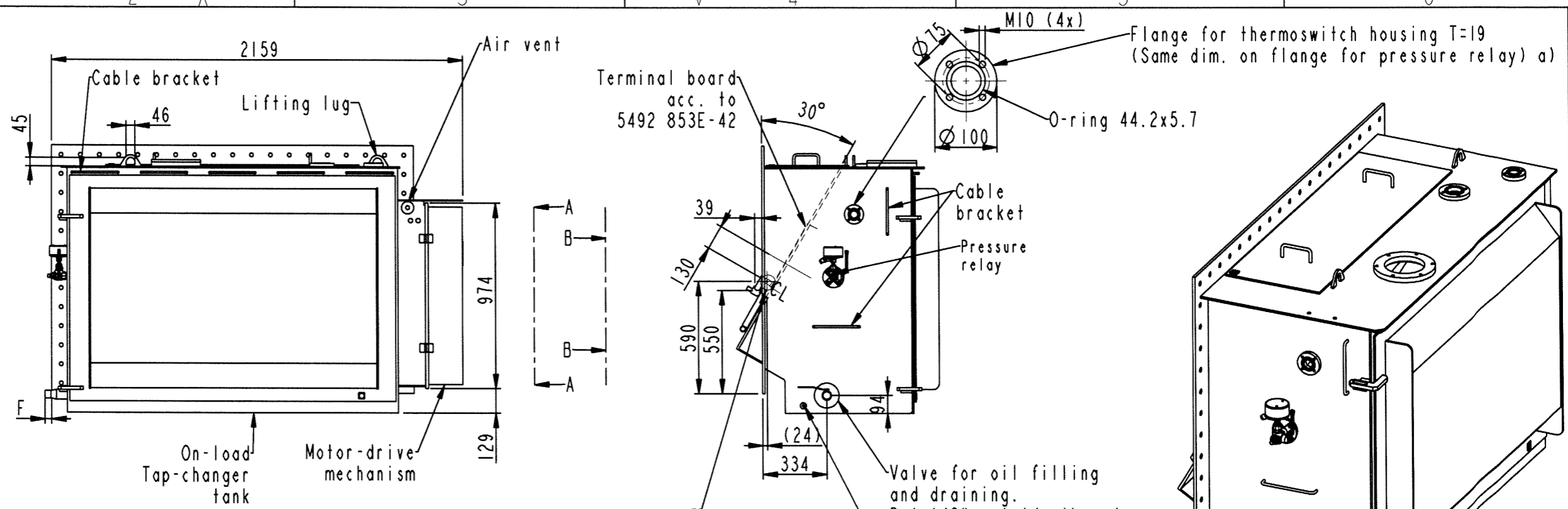


**ADDITIONAL DRAWINGS:**  
 Connection Diagrams: See Technical Guide UZ  
 Accessories: 54920090-9  
 Pressure Relay: 54920083-2  
 Oil Conservator: 54920090-12

Based on	Reg. No.	Title	
Prepared T Sapila 96-10-11	Responsible department COM/TK	TAP-CHANGER UZF	Language 82
Approved M Eriksson	Take over department	UZF.T 550KV AND 650KV	
Revision Rev.D 10-07-05	Database DIMENSION_DWGS		Page 2(2)
ABB ABB Components		Document No.	54920090-13

We reserve all rights in this document and in the information contained therein. Reproduction, use or disclosure to third parties without express authority is strictly forbidden. © ABB

Valve	F
R 1 1/2"	47
1 1/2" NPT	57
1 1/2" NPT with test device	57



These flange dimensions are also valid for flange for valve for oil filling and draining

a) All flanges without accessories delivered with cover plates

Mass: 1100 kg without oil  
 Required oil: 1050 kg (1200 litres)  
 Total mass: 2150 kg

Based on	Reg. No.	Title	
Prepared T Sapila 96-10-11	Responsible department COM/TK	TAP-CHANGER UZF	
Approved M Eriksson	Take over department	UZF.T 550KV AND 650KV	
Revision Rev.D 10-07-05	Database DIMENSION_DWGS	Standard tank. Bolting flange	
<b>ABB</b> ABB Components		Document No.	54920090-13

Language  
en  
Page  
1(2)