

Type TB82TE Advantage Series™ 2-wire, 2-electrode conductivity transmitter



The Company

We are an established world force in the design and manufacture of measurement products for industrial process control, flow measurement, gas and liquid analysis and environmental applications.

As a part of ABB, a world leader in process automation technology, we offer customers application expertise, service and support worldwide.

We are committed to teamwork, high quality manufacturing, advanced technology and unrivalled service and support.

The quality, accuracy and performance of the Company's products result from over 100 years experience, combined with a continuous program of innovative design and development to incorporate the latest technology.

CONTENTS

Section	Page
CONTENTS	3
INTRODUCTION.....	3
SUPPLEMENTARY DOCUMENTATION.....	3
TRANSPORT	4
STORAGE	4
HANDLING	4
PRODUCT IDENTIFICATION.....	4
PRINCIPLE OF OPERATION	5
INSTALLATION.....	7
ELECTRICAL CONNECTIONS.....	8
LOCAL HMI OPERATING PROCEDURES	9
MEASURE MODE.....	10
CALIBRATE MODE.....	11
Process Variable Calibrate State	11
Temperature Calibrate State	11
Edit Calibrate State	12
Reset Calibrate State	12
OUTPUT/HOLD MODE.....	13
CONFIGURE MODE	13
Analyzer State.....	14
Temperature Sensor State.....	16
Temperature Compensation State	16
Diagnostic State	18
SECURITY MODE.....	19
SECONDARY DISPLAY MODE.....	19
UTILITY MODE	20
Reset Configuration State	20
Reset Security State	20
Reset All State	20
Reset Software State	20
Transmitter Identification (FF.ID) State	21
Damping State	21
TRANSMITTER'S FIELDBUS FUNCTIONALITY.....	21
DEVICE BLOCKS	22
HARDWARE DIP SWITCH FUNCTIONS	39
SIMPLE FAULT FINDING.....	40
SIMPLE FAULT FINDING.....	40
DIAGNOSTIC INFORMATION.....	41
Calibration Diagnostic Messages	42
Additional Diagnostic Messages	43
SENSOR TROUBLESHOOTING	43
Visual Sensor Inspection.....	43
Sensor Electronic Test	43
Transmitter Electronic Test.....	44
DIAGNOSTIC INFORMATION RECEIVED FROM THE FIELDBUS.....	45
DISMANTLING AND REASSEMBLY.....	48
SPECIFICATIONS	49
GLOSSARY OF PROGRAMMING TEXT PROMPTS	51
PRODUCTS & CUSTOMER SUPPORT	54

INTRODUCTION

The **TB82TE Two-Electrode Conductivity PROFIBUS PA Transmitters** are a modular range of field mounted, microprocessor-based instruments. Accurate and reliable measurement of solution conductivity is provided, in the even most difficult and hazardous industrial environments.

The TB82 family of transmitters offers Analog (4-20 mA output), Analog with HART digital communication, PROFIBUS PA, and FOUNDATION Fieldbus product versions.

This manual describes the features, installation requirements, configuration commissioning, and calibration procedures related to the TB82TE Two-Electrode Conductivity PROFIBUS PA Transmitter.

The delivery of the TB82TE PROFIBUS PA device includes the device data (GSD) and Device Type Manager (DTM) files.

Refer to the supplementary documentation section to obtain additional information on the PROFIBUS communication protocol and device installation.

SUPPLEMENTARY DOCUMENTATION

Reference information regarding PROFIBUS design and structure can be found in the following documents:

- Document 30 Fb 10 Fieldbus Solutions from ABB - Technical brochure
- IEC 61158-2 Fieldbus standard for use in industrial control systems – Part 2: Physical Layer specification and service definition
- EN 50170-2 General Purpose Field Communication System
- DIN 19245 Measurement and Control PROFIBUS

Visit the Internet site for online/up-to-date information: www.abb.com or www.profibus.com.

TRANSPORT

After factory calibration, the instrument is packed in a carton, intended to provide protection from physical damage.

STORAGE

The instrument does not require any special treatment if stored as dispatched and within the specified ambient conditions level listed in the Specification section. There is no limit to the storage period.

HANDLING

The instrument does not require any special precautions during handling, though care should be observed.

PRODUCT IDENTIFICATION

The following data plates shown in Figure 1 identify the instrument.

The Nameplate (Reference A) provides information concerning the product identity code (i.e., nomenclature), product name, operating voltage range, output type, serial number, test personnel badge number, and dielectric strength verification stamp.

The Agency Approval label (Reference B) is included when the transmitter is purchased for compliance with hazardous area regulations (e.g., intrinsic safety protection) for a specific country (e.g., CSA, FM, or ATEX).

EC conformance is identified using a CE label (Reference C). Optional tagging specified by customer requirements is provided via a supplementary tag (Reference D).

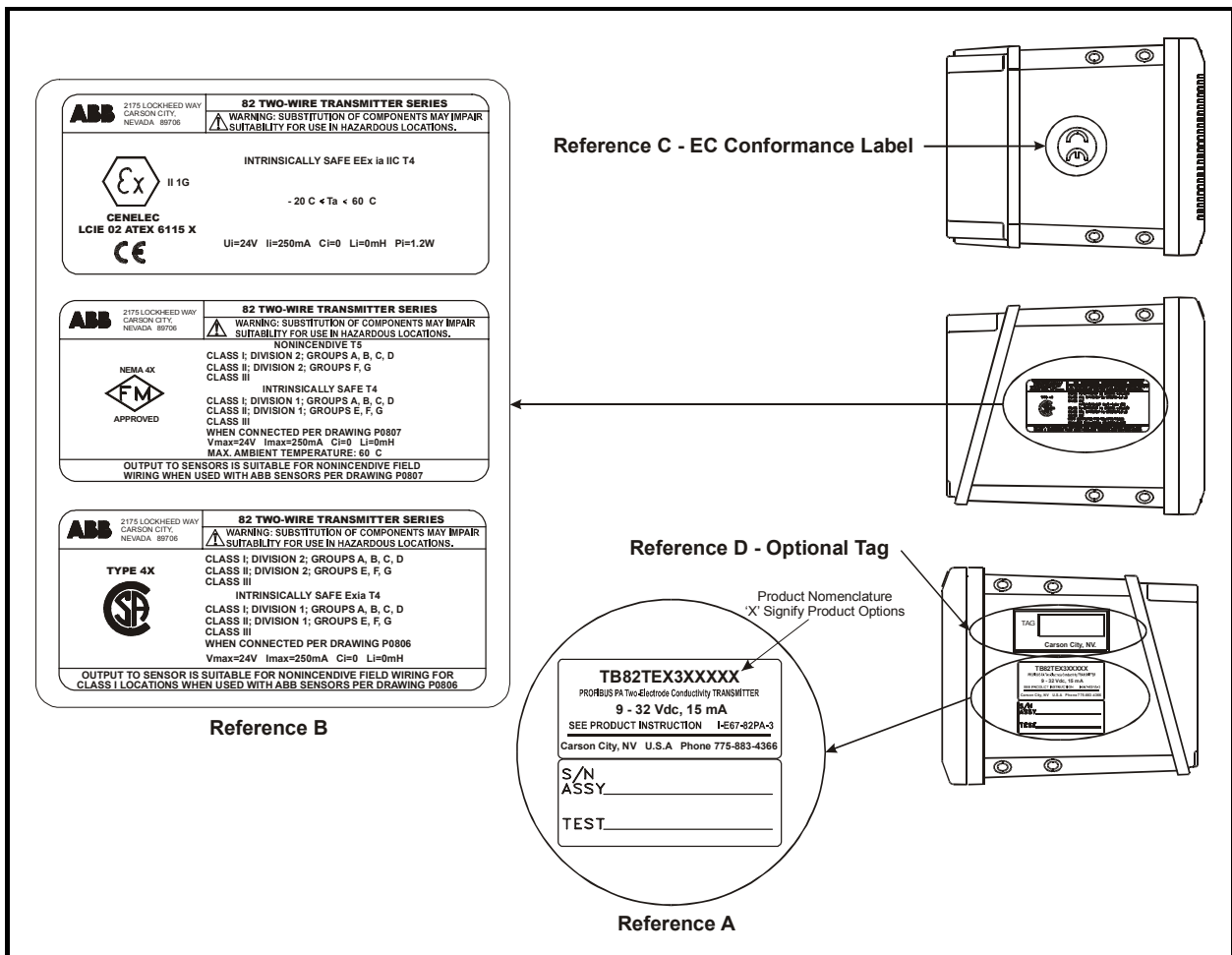


Figure 1 – Product Identification

PRINCIPLE OF OPERATION

The TB82TE Two-Electrode Conductivity PROFIBUS PA Transmitter provides on-line measurement of liquid properties in industrial environments using an advanced microprocessor-based technology. Fieldbus wiring provides transmitter power and digital communication based on the PROFIBUS PA protocol. The TB82TE transmitter can be installed indoors or outside due to its IP65 and NEMA 4X environmental enclosure ratings. Cable glands for field wiring ensure adequate sealing barriers to ambient conditions while maintaining the environmental ratings of the transmitter.

The Human Machine Interface (HMI), shown in Figure 2, consists of a tactile keypad having four universal keys, one hidden key, and a custom LCD. The LCD has a three and one-half digit numeric region that displays the process variable, a six-digit alphanumeric region that displays secondary information and programming prompts, and several status-indicating and programming icons. Each of the four universal keys is located under a set of icons. In each of the instrument modes and states, one icon over a given key will be illuminated and will represent that key's function. These assignments vary and depend upon the programming mode or state the transmitter is currently occupying. In addition to the key assignments, text strings located in the six character alphanumeric field are used as programming prompts.

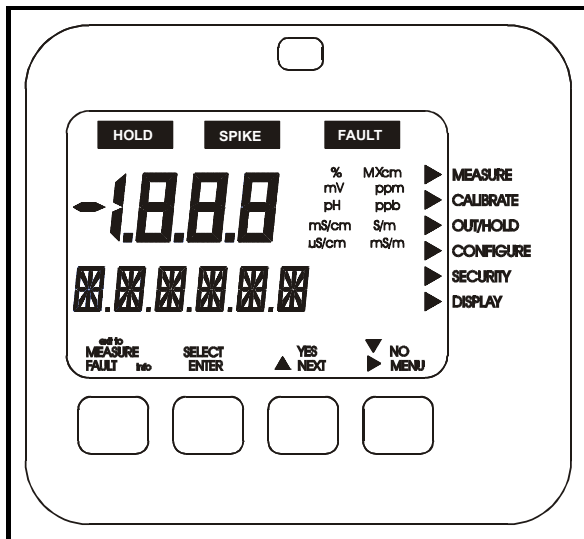


Figure 2 – TB82 HMI

The signal conditioning circuitry contained in the transmitter is designed to process current measurements driven through ABB's two-electrode conductivity sensors. This circuit processes the sensor signal into a format that is transferred to a secondary circuit. The secondary circuit uses a microprocessor to compute the precise primary variable compensating for the combined effects of

circuit tolerances, sensor calibration information, and temperature effects. Permanent memory stores transmitter and sensor specific information such as:

- Non-modifiable data such as the Manufacturer's Identifier, the Device Identifier, the hardware and software versions.
- Modifiable data such as transmitter configuration information, sensor calibration data, and security passwords.

The sensor and all electronic parts are galvanically isolated from the transmitter body. This isolation is verified at the factory using a Dielectric Strength Test.

The instrument consists of three functional circuits that have been divided into three unique Printed Circuit Board (PCB) assemblies:

- Signal Conditioning Input Assembly
- Microprocessor/Display Assembly
- Power Supply/Communication Assembly

A block diagram representing the electronic functional areas is shown in Figure 3. The flow of information starts from the sensor input and moves through the transmitter to the fieldbus interface that produces a digital signal compliant with IEC-61158-2 (see Supplementary Documentation). The digital communication and HMI capabilities provide for remote or local access to transmitter parameters for configuration and maintenance operations.

The fieldbus furnishes transmitter power and can be configured as a point-to-point, tree, Daisy Chain, or Trunk/Spurs network. Modulating the base quiescent current generates the communication signals. The quiescent current value is used as a reference in order to establish the number of devices that can be installed on a single bus line.

Data is transmitted over the bus using the digital, bit-synchronous Manchester II coding at a baud rate of 31.25 kbit/sec. Figure 4 shows an example of a typical bus configuration.

... PRINCIPLE OF OPERATION

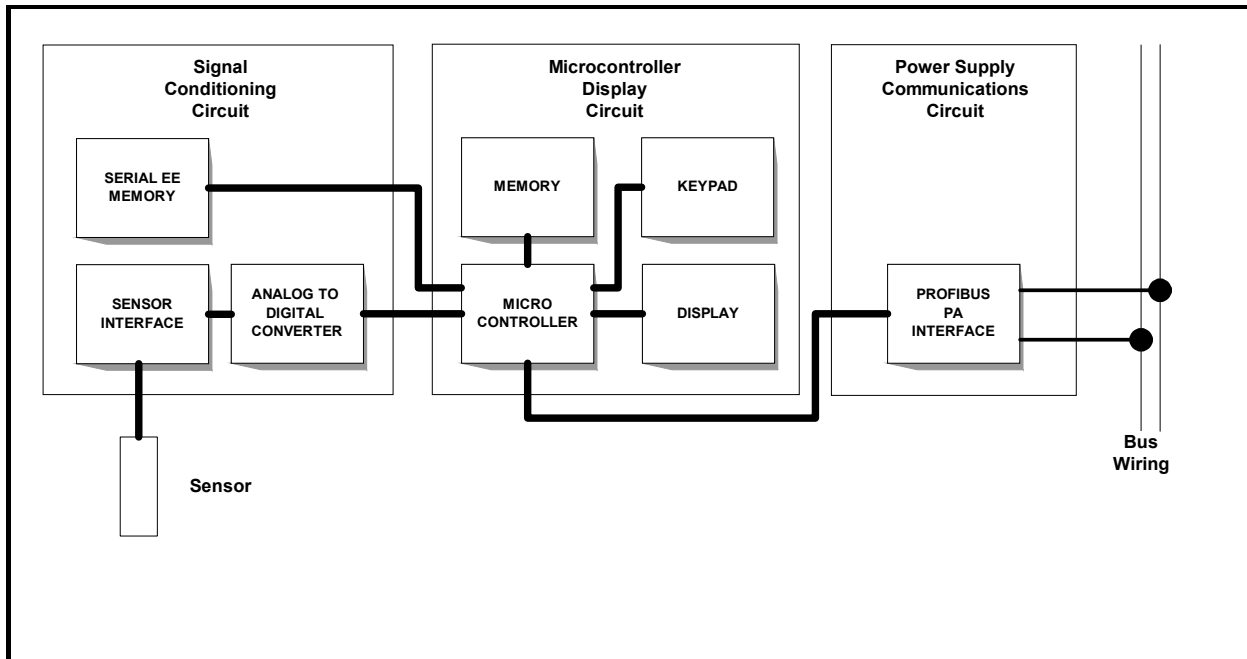


Figure 3 – Functional Block Diagram for TB82 PROFIBUS PA devices

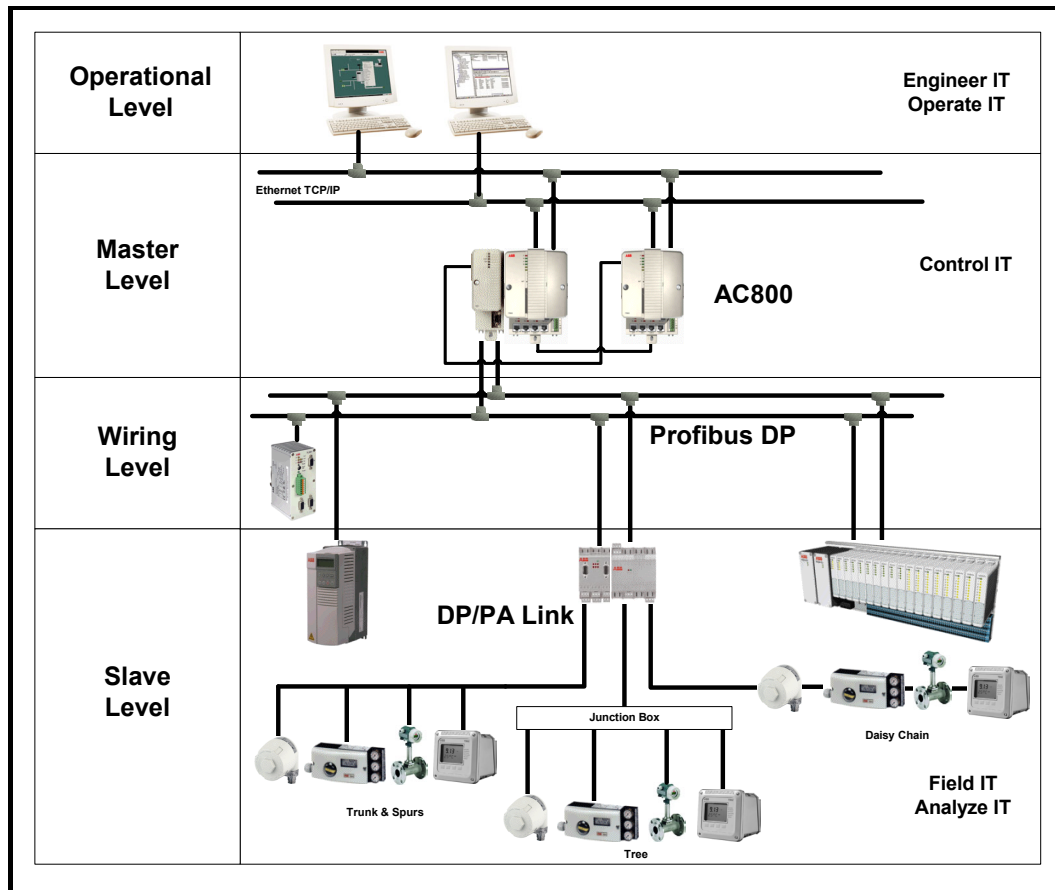


Figure 4 – Typical Bus Configurations

INSTALLATION

Besides the normal precautions for storage and handling of electronic equipment, the transmitter contains static sensitive devices. Since semiconductors can be damaged by the direct discharge of static electricity, avoid contact with terminal block conductors and electronic components on the circuit board.

When mounting the transmitter, choose a location that has ample clearance for the removal of the front bezel and rear cover. The location should provide easy access for maintenance procedures and not be in a highly corrosive environment. Excessive mechanical vibrations and shocks as well as relay and power switches should not be in the immediate area. Signal wiring should not be placed in conduit or open trays that contain power wiring for heavy electrical equipment. Field wiring should meet wiring practices appropriate for fieldbus devices (See Supplementary Documentation).

The transmitter can be pipe, hinge, wall or panel mounted. Use the appropriate figure below to assist in the mechanical installation of the transmitter.

Warning.

For installation in Hazardous Areas, i.e. areas with danger of fire and/or explosion, irrespective of the protection mode used, the installation must be carried out in accordance with local authority regulations. Ensure also that the temperature of the transmitter does not exceed the value indicated in the Safety Marking plate.

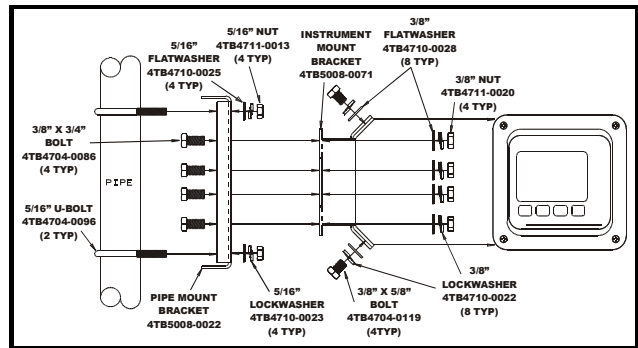


Figure 5 – Pipe Mounting Detail

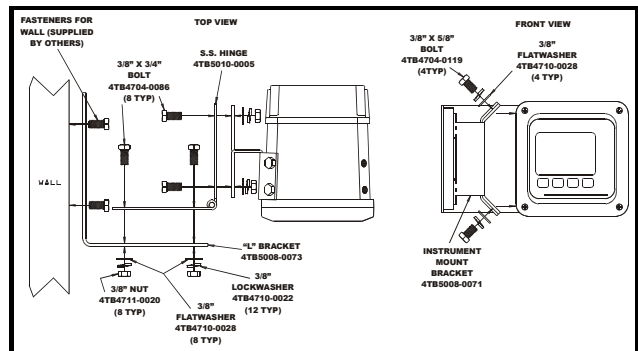


Figure 6 – Hinge Mounting Detail

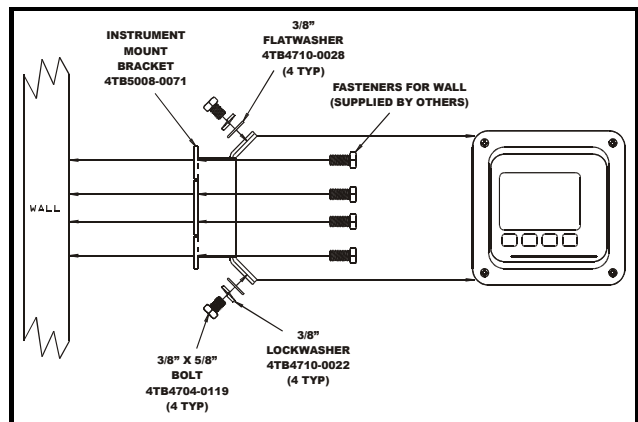


Figure 7 – Wall Mounting Detail

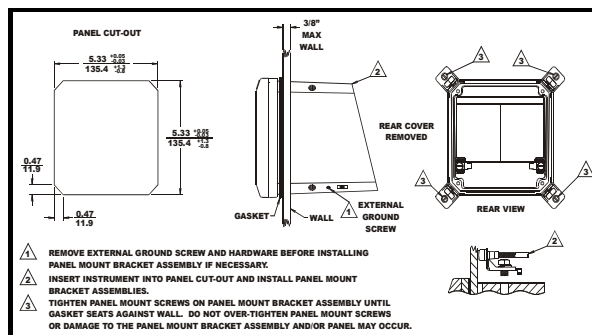


Figure 8 – Panel Mounting Detail

ELECTRICAL CONNECTIONS



Warning.

Use this equipment only in those classes of hazardous locations listed on the nameplate. Uses in other hazardous locations can lead to unsafe conditions that can injure personnel and damage equipment.

The bus powers the transmitter; thus, power and fieldbus signals share the same pair of wires. Separate conduit for power and sensor wiring is encouraged. Prior to entering the instrument housing, terminate rigid conduit and install a short length of flexible conduit to reduce stress to the housing. Signal wiring must not come in close proximity to high-power equipment or to cabling from such equipment. Wiring must be in accordance to the applicable local codes and fieldbus requirements (see Supplementary Documentation). Bus cabling must conform to IEC 61158-2.

The terminal blocks located in the rear of the transmitter accept wire sizes from 12 to 24 AWG. Pin-style terminals should be used for all connections. The terminal block label identifies all electrical connections and should be followed when wiring the transmitter. Observance to polarity for power connections is not required; however, polarity indications have been provided for consistence. Voltage requirements are listed in the Specifications and must be observed. Ensure the power supply that provides bus power is complaint with IEC 61158-2.

Normal grounding practice is to terminate all grounds in the control room side, in which case the field side of the screen should be adequately protected to avoid contact with metallic objects. For bus-powered systems, the grounding of the shield should be close to the power supply unit. For IS systems, the grounding should be at the safety barrier earth connection. The transmitter case should be grounded. Ground connections are provided internally (in the terminal compartment) and externally.

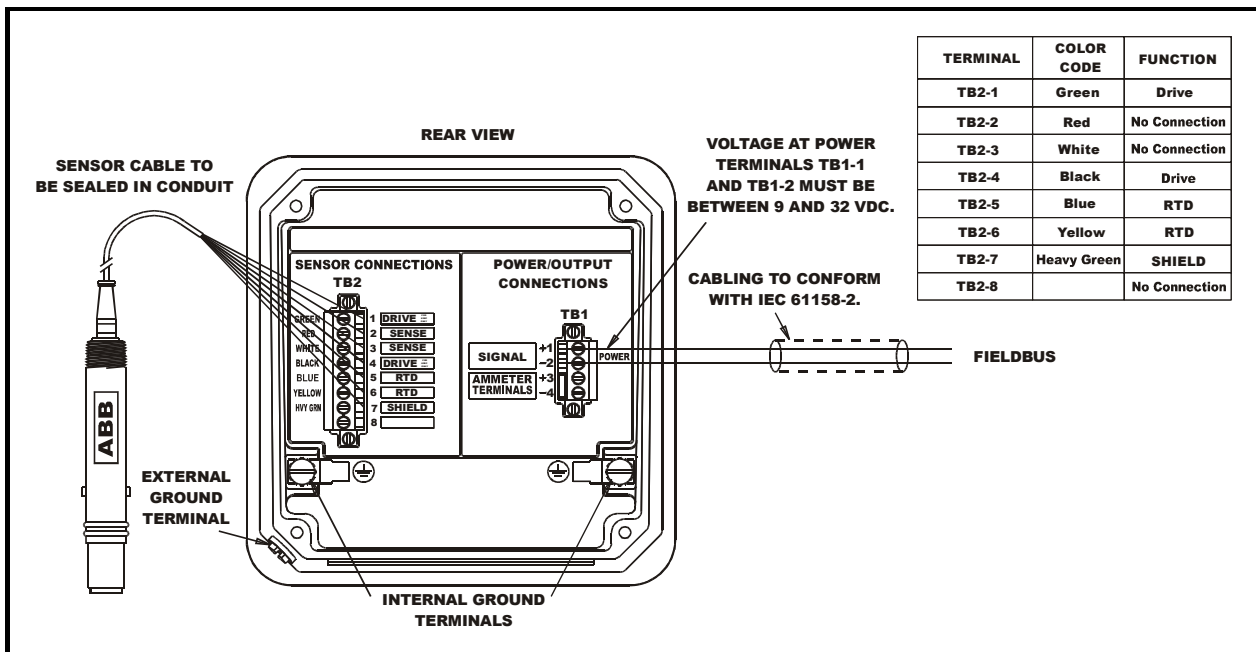


Figure 9 – Sensor and Power Wiring

... ELECTRICAL CONNECTIONS

To ensure fault-free communication, the bus must be properly terminated at both ends. Only approved bus terminators must be used for intrinsically safe circuits. The specific noise immunity and emitted interference are only guaranteed when bus screening is fully effective (e.g., ensuring that screening is maintained through any existing junction boxes.) Appropriate equi-potential bonding must be provided to avoid differences in potential among the individual plant components.

The address range for PROFIBUS devices is 0 to 126. Per the PROFIBUS specification, the default device address is set to 126. This address must be changed before two or more field devices are placed on a PROFIBUS segment. Usually lower addresses are reserved for master devices; thus, use an address that lies between 30 through 125. Marking the device with the set address is also recommended.

The number of transmitters or devices that can be connected to a bus is also dependent on the transmitters'/devices' power consumption, the type of cable, number of spurs, total cable length of the bus, and intrinsically safe requirements.

The table below lists some considerations that have been identified:

Parameters	Specification	
Data Rate	31.25 Kbits/s	
Type	Voltage	
Topology	Bus/tree	
Bus Power	DC	
Intrinsically Safe	No	Yes
Max Nr of devices (1)	32	6
Max cable length (2)	1900 m	
Max spurs length (3)	120 m	

Notes:

- 1) The number of devices is dependent on several physical parameters (e.g., power consumption, bus cable, device IS parameters, etc.).
- 2) Length includes bus and all spurs lengths.
- 3) The maximum Spur length with one device is 120 m; 30 m less for each addition device.

For further information, see Supplementary Documentation list at the beginning of this manual.

LOCAL HMI OPERATING PROCEDURES

The TB82TE Two-electrode Conductivity PROFIBUS PA Transmitter has seven main operating modes: Measure, Calibrate, Output/Hold, Configure, Security, Secondary Display and Utility. Within each mode, several programming states containing functions specific to the related mode are available.

Using a patented HMI, programming or accessing information from the transmitter's front panel is quick and easy. The LCD contains nine regions that provide the user with information on the process variable, engineering units, mode of operation, fault indication, secondary variable, and function key assignment (see Figure 2). The primary process variable is displayed in the three and one-half digit region. The Engineering Unit region supports this region. These display regions are active in all modes of operation; however, some programming states also use these regions for data entry.

The secondary variable is displayed in the six-character region. This display region is used for displaying secondary and fault information in the Measure Mode of operation and textual prompting in all other modes of operation.

Due to the limited number of characters supported by the secondary display, many of the prompts take the form of a text abbreviation (see Glossary of Programming Text Prompts for a list of abbreviations.) The secondary display region is active in all modes of operation.

A five-button, tactile keypad is located on the front panel of the instrument. Four of the buttons are embossed to easily show their location. A fifth, hidden button located at the top, center of the keypad provides access to functions that are infrequently used. The embossed keys do not have a pre-assigned function. Icons are energized over the key to indicate their function. If a key does not have an icon energized above its location, this key does not have a function and will not initiate an action when pressed. The first table below lists all key functions.

The Measure Mode is the normal operating mode of the transmitter and is the default mode upon power-up. The Measure Mode is the starting point for entry into other modes of operation. Each mode contains a unique set of transmitter functions or states. These modes and their related functions are listed in the second table below.

Icon	Key Function
Exit to MEASURE	Escapes back to the Measure Mode from all other modes or programming states of operation. This function is not available in the Measure Mode.
FAULT Info	Accesses information on diagnostic problem or error conditions. Displays this information as a short text string and code. This function is only available in the Measure Mode.
SELECT	Selects the mode or programming state of operation shown in the secondary display region.
ENTER	Stores configured items and data into memory.
NEXT	Increments through a series of programming states.
YES	Affirms the action that is about to take place.
NO	Denies the action that is about to take place.
MENU	Increments through the modes of operation.
▲	Increases numeric values or moves through a series of parameters.
▶	Moves the flashing data entry value one space to the right.
▼	Decreases numeric values or moves through a series of parameters.

Mode	Function
Measure	Used to display the process and secondary variables – the normal operating mode for the transmitter.
Calibrate	Used to calibrate input devices (i.e., the process and temperature sensors).
Out/Hold	Used for viewing critical parameters found in the Transducer and Analog Input Function Blocks.
Configure	Used to configure transmitter functions such as temperature compensation, temperature sensor type, and measurement electrode type.
Security	Used to enter password protection for the Calibrate and Configure Modes of Operation.
Display	Used to select the variable that will be shown in the secondary display region when the transmitter is in the Measure Mode of Operation.

MEASURE MODE

The Measure Mode is the normal operating mode of the transmitter. In this mode, the process variable, fault conditions, and secondary display information are displayed. From the Measure Mode, other modes of operation and fault information can be accessed.

When a user enters an operating mode or state and does not return to the Measure mode as the final step, the transmitter automatically returns to the Measure Mode of operation after 20 minutes of unattended use.

The process variable is shown in the primary display area. The value of this variable is dependent on the configured analyzer, temperature compensation type, temperature value, and sensor signal. The engineering units for the process variable are dependent only on the configured analyzer. The table below lists the analyzer types and corresponding engineering units.

Analyzer Type	Engineering Unit
Conductivity	mS/cm, μ S/cm
Concentration	ppm, ppb, %, User Defined Text, No Units

The secondary display has the ability to show a large variety of information. Since the display area only has six characters, only one item can be shown at any given time. Typically, this region will be used for

displaying the process temperature in degrees Celsius; however, it can be changed to display the process temperature in degrees Fahrenheit, sensor cell constant, sensor type, conductivity value and solute name for a concentration analyzer type, uncompensated conductivity value, and firmware revision.

Fault information can only be accessed from the Measure Mode. During a fault condition, the FAULT warning icon above the process variable display region will blink. The FAULT Info key will also become active and can be used to obtain a text description of the fault condition. Pressing the FAULT Info key progressively moves from one fault to the next until all faults have been shown. Once all faults have been interrogated, the FAULT icon stops blinking and will remain energized until all faults have been removed. If a new fault condition is detected, the FAULT icon will begin to blink to inform the user of the newly detected condition.

The MENU key provides access to all other modes of operation. Pressing this key moves the transmitter to the next operating mode. Visual feedback is provided in two manners: the mode indication arrow moves to the next mode of operation (e.g., Calibrate) and the secondary display shows the text string representing the new mode of operation (e.g., CALIBR).

CALIBRATE MODE

The Calibrate Mode of Operation provides the ability to calibrate the sensor and temperature inputs. These functions include process variable, temperature, edit, and reset calibration. Figure 10 shows the Calibrate States and key assignments for each state.

Process Variable Calibrate State

The Process Variable Calibrate State contains one calibration procedure. This calibration procedure is a smart one-point calibration routine that allows for single point and dual-point calibration. By initiating calibrations at two different conductivity values having ample separation, the transmitter automatically adjusts the offset and slope in order to obtain the best sensor performance. Since this routine only uses the most recent calibration data, calibration can be conducted throughout the sensor's life thus ensuring consistent sensor performance. If an incorrect calibration has been entered, the Reset Calibrate State provides the ability to return the transmitter calibration to factory settings.

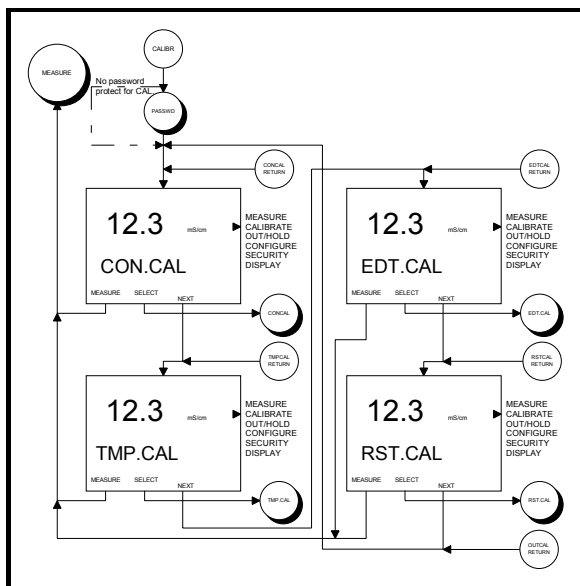


Figure 10 – Screen Flow Diagram for Calibrate Mode of Operation.

Since the transmitter can be configured as a Conductivity or Concentration analyzer, the smart one-point calibration routines will automatically set the units of calibration to be the same as those for the measured process value. Thus, a Conductivity Analyzer type uses conductivity units and a Concentration Analyzer type uses the user-defined units set in the Configure Mode.

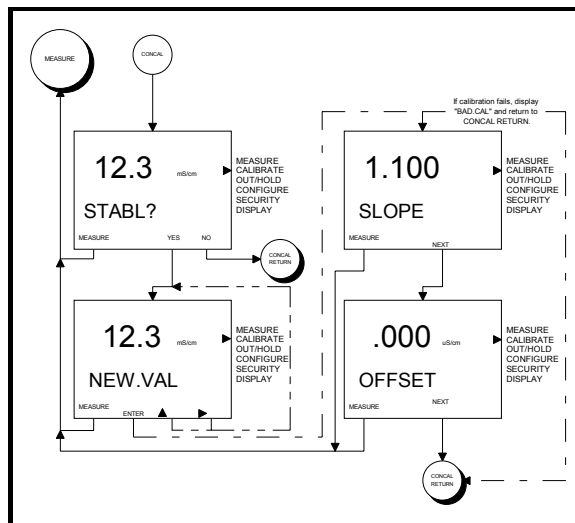


Figure 11 – Screen Flow Diagram for Process Variable Calibrate States of Operation

Invalid calibration values will generate the text string BAD.CAL (i.e., Bad Calibration), and the calibration value will not be accepted. If the values are valid, the Efficiency (shown as a dimensionless value) will be shown. Pressing the NEXT key displays the Offset value. At this point, the user can return to the Process Variable Calibrate State by pressing the NEXT key or to the Measure Mode by pressing the Exit to MEASURE key.

Temperature Calibrate State

The Temperature Calibrate State is a smart calibration routine that allows for both single- and dual-point calibration. By calibrating the temperature at two points that are at least 20°C apart, the transmitter adjusts the offset and slope. Since this routine only uses the most recent calibration data, calibrations can be conducted throughout the sensor's life to ensure accurate measurement of the temperature. If an incorrect calibration has been entered, the Reset Calibrate State can restore the calibration to factory settings.

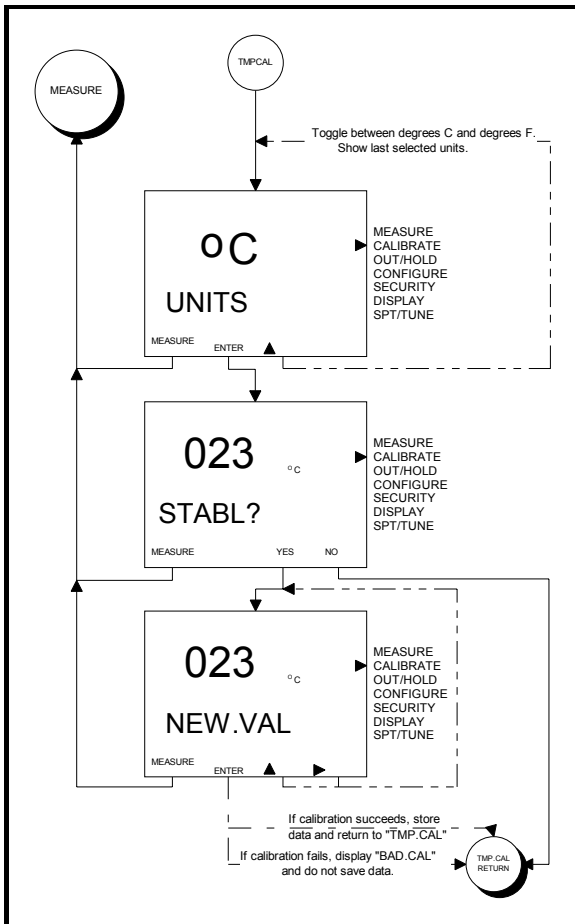


Figure 12 – Screen Flow Diagram for Temperature Calibrate State of Operation

Edit Calibrate State

The Edit Calibrate State allows a user to manually adjust the sensor and temperature slope and offset values. Though this function may not be suitable for many applications, the Edit Calibrate State facilitates quick and easy access to these calibration values for troubleshooting purposes and for making separate adjustments to process variable and temperature data.

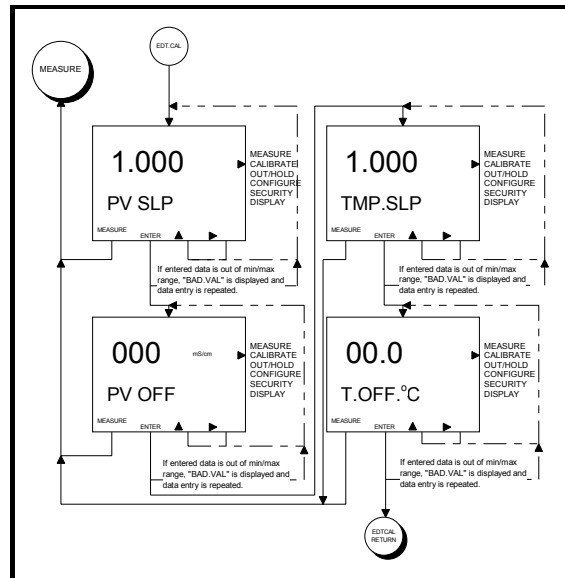


Figure 13 – Screen Flow Diagram for Edit Calibrate State of Operation

Reset Calibrate State

The Reset Calibrate State sets the sensor and temperature calibration data to factory values. This state purges calibration history and should be initiated before calibrating a new sensor.

When interrogating the calibration values after a reset has been performed, the slope and offset values for both the process and temperature sensors will be set to 1.000/1.000 and 000 μ S/cm/000C, respectively.

Note

The Reset Calibrate State will reset all calibration values; therefore, the process sensor and temperature sensor will require calibration after performing the Reset Calibrate procedure.

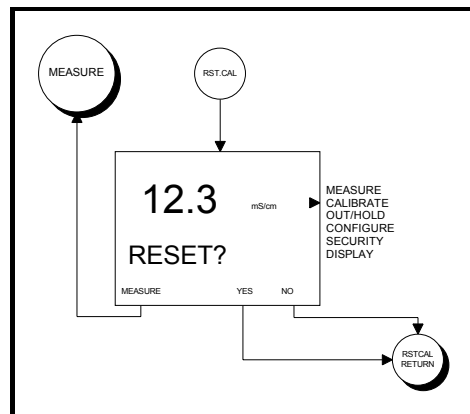


Figure 14 – Screen Flow Diagram for Reset Calibrate State of Operation

OUTPUT/HOLD MODE

The Output/Hold Mode provides the ability to view a limited number of Transducer Block (TB) and Analog Input (AI) Function Block parameters. Parameter viewing is limited to the TB Process Variable Range (RANGE_1), AI Block mode status, and AI Output Value.

The TB Range State contains the process value low and high range limits. These represent the range limits used to define the Output Value.

The AI Block information shows the current mode (i.e., Out of Service – OOS, Auto, or Manual) of the specified function block (i.e., AI1 or AI2). For in service blocks, information for the Output is shown. If the block is out of service, the Output value will be equal to the corresponding AI Block FSAFE_VALUE.

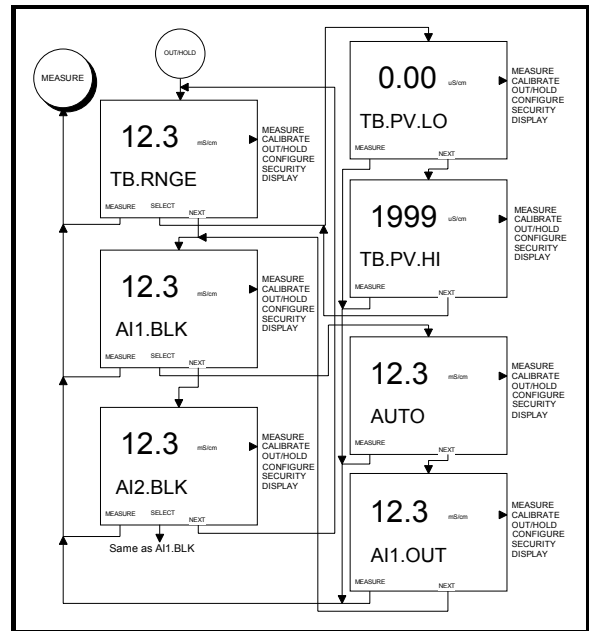


Figure 15 – Screen Flow Diagram for Output/Hold Mode and States of Operation

CONFIGURE MODE

The Configure Mode of Operation establishes the operating parameters of the transmitter. These parameters include analyzer type, temperature sensor type, temperature compensation type, and diagnostic functionality.

Upon selecting the Configure Mode at the local HMI, a query to Modify or View the configuration will be presented. The Modify Configure State enables analyzer options to be set and saved into memory.

Since the Modify State can be secured, the configuration of the transmitter can be viewed using the View Configure State without violating secured settings. To provide quick and easy access to edit transmitter parameters from the View Configure State, a Hot Key function provides immediate access to the viewed parameter using the ENTER key. If the Modify Configure State is secured, the security code will be requested before entering into the Modify Configure State.

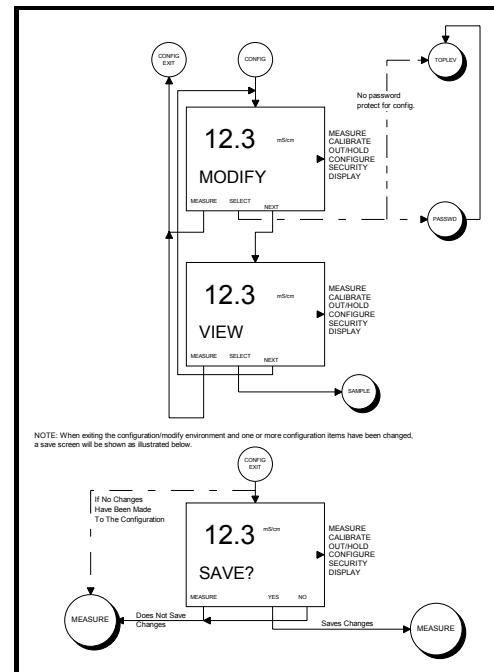


Figure 16 – Screen Flow Diagram for Modify/View and Save States of Operation

Any changes to the transmitter configuration must be saved. Pressing the Exit to MEASURE key prompts the user to "SAVE?" their changes. Pressing the YES key saves the new configuration and returns the transmitter to the Measure Mode. The NO key discards the changes and returns the transmitter to the Measure Mode.

The Modify Configure State contains all the available settings that establish the functionality of the transmitter. Upon receipt of the transmitter, the default configuration (unless otherwise specified by the customer when ordering the transmitter) will be active once the transmitter has been powered. See the Configuration Data Sheet at the end of this manual for default configuration settings. Before installing the transmitter, the configuration should be modified to reflect the final installed application. The Table below describes each of the Modify Configure States and their function.

State	Function
ANALYZR	Used to define the type of analyzer and set the cell constant. Analyzer choices include Conductivity and Concentration.
TMP.SNS	Used to define the type of temperature sensor. Choices include None, Pt100, Pt1000, and 3k Balco.
TC.TYPE	Used to define the type of temperature compensation. Choices include Manual (0.1N KCl based), and Automatic, which can be set to one of the following: Standard KCl (0.1N KCl based), Temperature Coefficient (%°C), Pure Water Neutral, Pure Water Acid, Pure Water Base, and User-Defined.
DIAGS	Used to set the sensor diagnostics ON or OFF.
PV.LIM.	Used to set PV upper and lower limits that trigger the HI.PV or LO.PV fault.

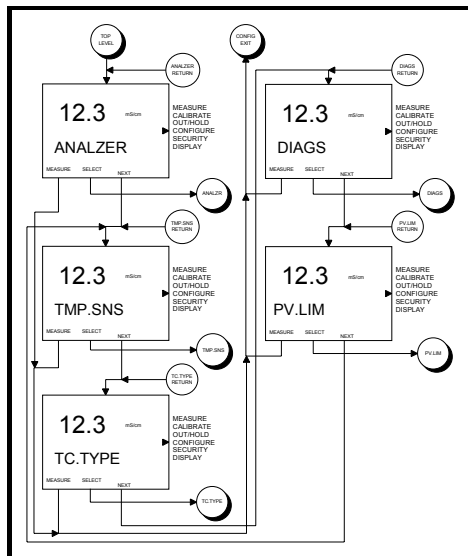


Figure 17 – Screen Flow Diagram for Modify Configure States of Operation

Analyzer State

The Analyzer State sets the type of measurement (i.e., Process Value) and sensor cell constant. The measurements are conductivity and concentration. The Conductivity setting displays the Process Value using the engineering units of either mS/cm or μ S/cm. The Concentration setting converts the measured temperature compensated conductivity to a concentration value using a user-defined curve fit. Concentration units can be set to percent, ppm, ppb, or to a user-defined text string.

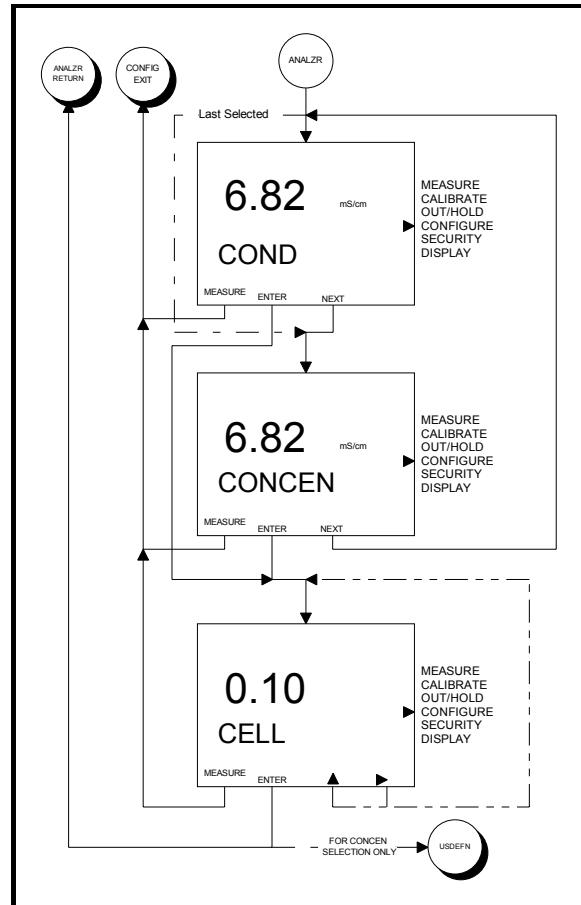


Figure 18 – Screen Flow Diagram for Analyzer States of Operation

The Conductivity Analyzer State requires entry of the sensor cell constant. The sensor cell constant must correspond with the conductivity sensor being used with the transmitter. The measurement range for various sensor constants is listed in the Specification Section. Since the TB82TE transmitter has been designed specifically for ABB Two-electrode Conductivity Sensors, only ABB two-electrode sensors are recommended.

The Concentration State converts conductivity values to concentration units. This state applies temperature-compensated conductivity measurements to a user-defined function. This converts the conductivity measurements to concentration values. All concentration values have a fixed decimal point location.

The user-defined configuration provides capability for selecting an Engineering Unit icon, decimal point position, custom text description, and six-point curve fit. The Engineering Unit icon options include percent (%), parts-per-million (ppm), parts-per-billion (ppb), and no Engineering Unit icon.

The six-point curve fit sets the end-point and break point values of the desired conductivity-to-concentration conversion. The end-point values define the full-scale output range, and the break point values identify the transition points between the five line segments defining the conductivity-to-concentration curve.

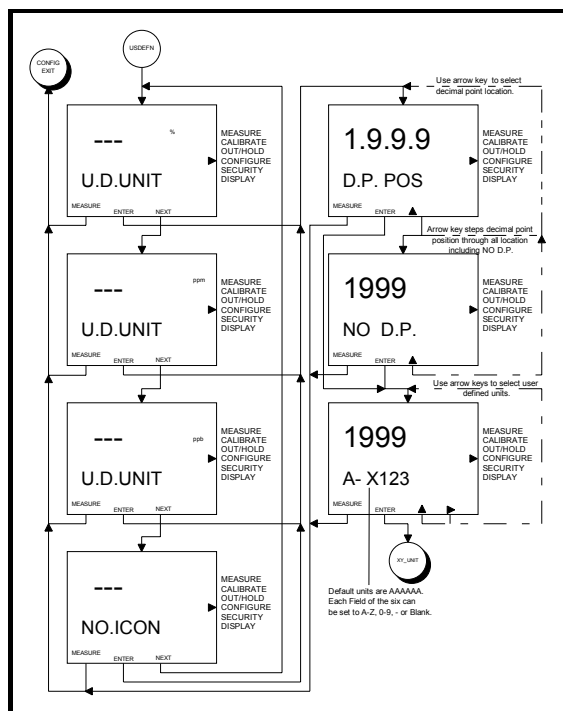


Figure 19 – Screen Flow Diagram for User-Defined Concentration State of Operation.

To define the end-point and break point values, a plot of temperature-compensated conductivity against solute concentration must be divided into five line segments that best approximate the shape of the conductivity-to-concentration curve. The beginning of the first and end of the fifth line segment identify the end-points of the approximation and output range.

To illustrate the use of the User-Defined Concentration State, conductivity and concentration data has been plotted to show the various break and end-points. As seen by this example, the conductivity-to-concentration curve is a non-linear function, which has been divided into five line segments. The end-point values represent point numbers 1 and 6, while the break point values represent point numbers 2 through 5.

Point Number	Conductivity ($\mu\text{S/cm}$)	Concentration (%)
1	0	0
2	55	5
3	105	9
4	195	16
5	310	28
6	400	45

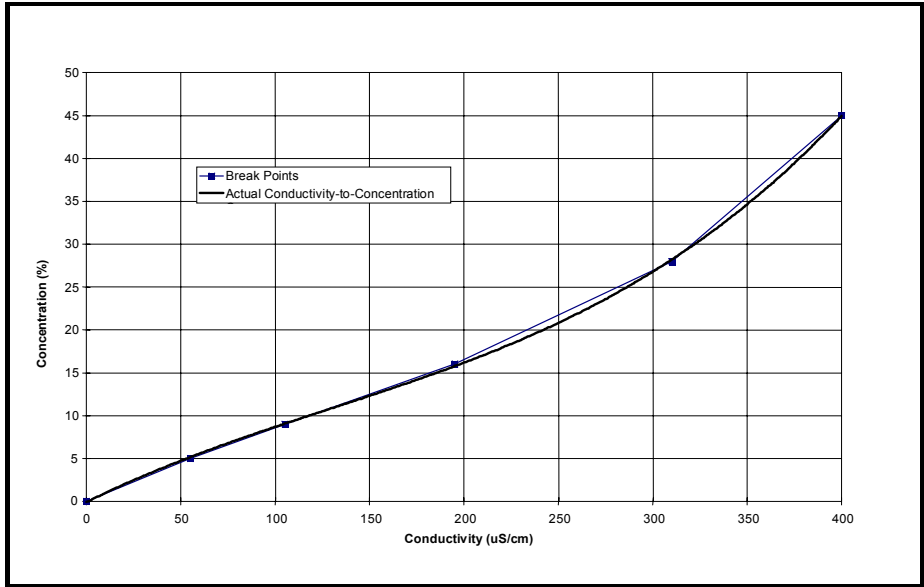


Figure 20 – Conductivity-to-Concentration Break Point Determination

Temperature Sensor State

The Temperature Sensor State configures the transmitter for use with a Pt100, Pt1000, 3 kohm Balco, or no RTD (NONE).

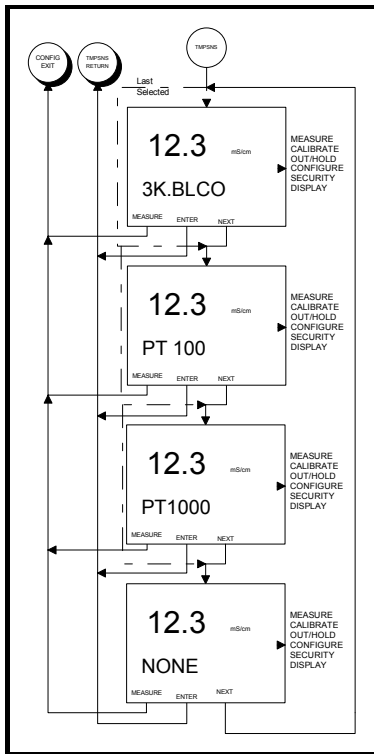


Figure 21 – Screen Flow Diagram for Temperature Sensor State of Operation

Temperature Compensation State

Temperature has a marked effect on the conductance of solutions. The effect is generally non-linear and dependent on the particular ionic species and their concentration.

The TB82TE PROFIBUS PA Transmitter contains a number of preprogrammed correction algorithms that compensate the effect of temperature on conductivity to a reference temperature of 25°C. Thus, the displayed and transmitted process value will be accurate and stable as the process temperature varies.

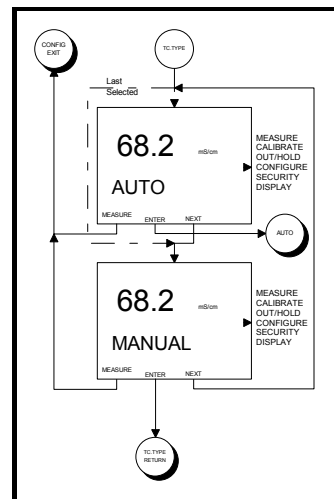


Figure 22 – Screen Flow Diagram for Temperature Compensation State of Operation.

The options for temperature compensation are grouped into two sets: MANUAL and AUTO (Automatic). MANUAL temperature compensation contains no additional options and is locked to a specific process temperature independent of the selected temperature sensor. If a different fixed temperature is desired, the new temperature can be adjusted by completing a temperature calibration to the desired temperature value.

The AUTO compensation options are sensor cell constant dependent and use the measured temperature value. AUTO compensation algorithms include the following Temperature Compensation States:

State	Function
STD.KCL	Standard Potassium Chloride (KCl). Compensation is 0.1N KCl based. Available for all cell constant values.
TC.COEF	Temperature Compensation Coefficient. Compensation is based on a percent change of the conductivity at the reference temperature per degree Celsius. Available for all cell constant values.
NEUTRL	Pure Water – Neutral Salt. Compensation accounts for the effect of pure water with a trace salt factor applied. Only available for cell constant range 0.003 to 0.054.
ACID	Pure Water – Neutral Salt. Compensation accounts for the effect of pure water with a trace acid factor applied. Only available for cell constant range 0.003 to 0.054.
BASE	Pure Water – Neutral Salt. Compensation accounts for the effect of pure water with a trace base factor applied. Only available for cell constant range 0.003 to 0.054.
USR.DEF	User-Defined. Compensation is defined as a ratio of uncompensated conductivity over compensated conductivity for a specific set of temperatures. Available for all cell constant values.

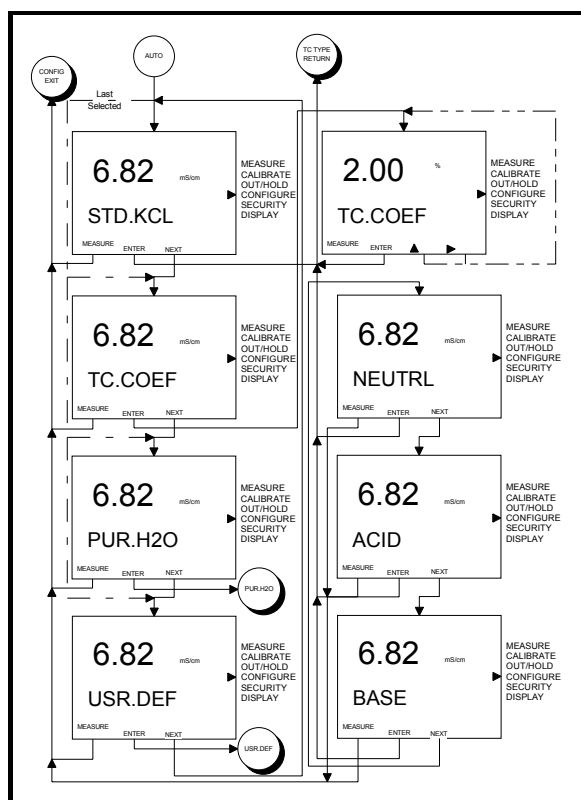


Figure 23 – Screen Flow Diagram for Automatic Temperature Compensation States of Operation

The User-Defined temperature compensation option requires uncompensated conductivity data at the reference temperature (typically 25°C) up to the maximum process temperature on a representative sample of process solution. With this data, the ratio of uncompensated conductivity to conductivity at the reference temperature is calculated. These ratios are then plotted against the temperature.

To illustrate the use of the User-Defined Temperature Compensation State, an example of a possible conductivity data set is shown below. Once the data is plotted, the non-linear plot is segmented into five linear sections. The break points, which are listed as the first and third column in the table, are used for the data that is entered into the User-Defined Temperature Compensation States.

Temperature (°C)	Uncompensated Conductivity (mS/cm)	Conductivity Ratio (K/K _{STD})
0	7.21	0.70
25	10.3	1.00
50	12.25	1.19
75	12.97	1.26
100	12.82	1.24
200	9.06	0.88

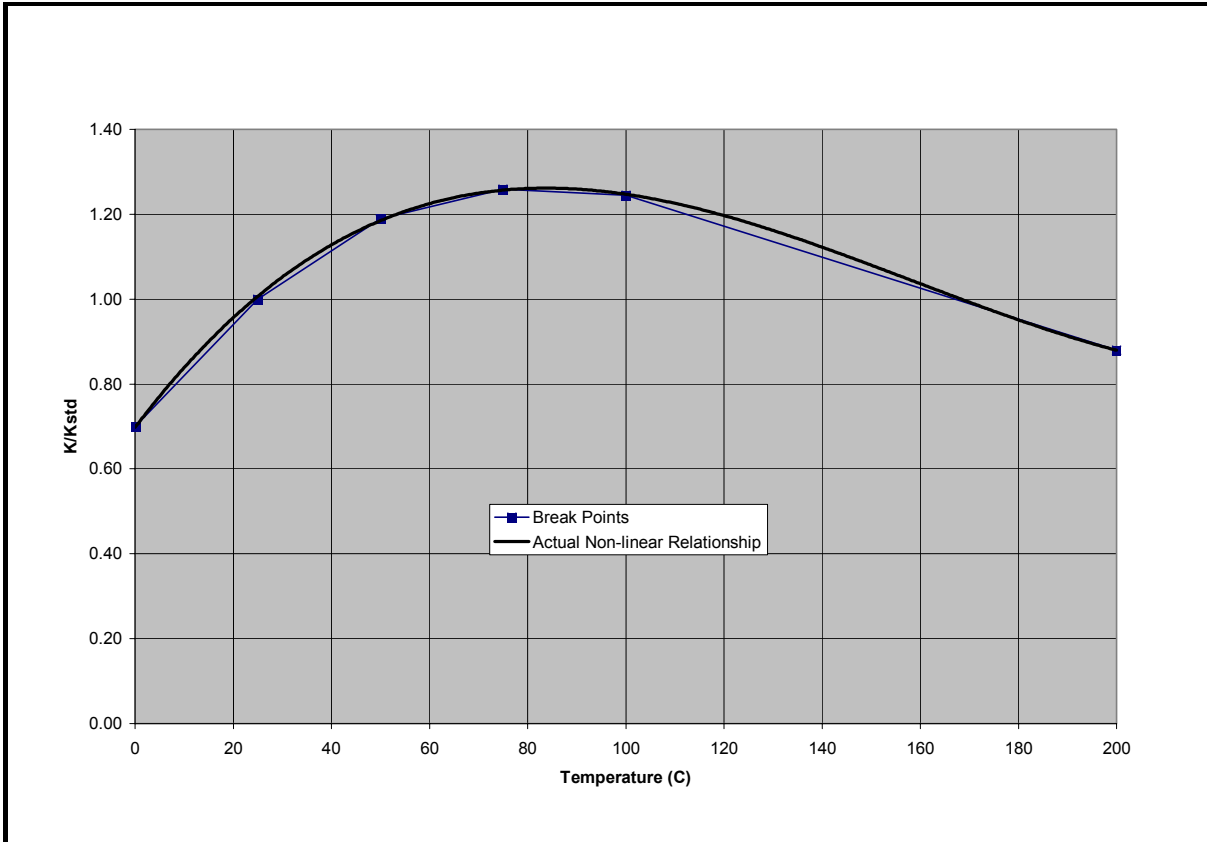


Figure 24 – User-Defined Temperature Compensation Break Point Determination

Diagnostic State

The Diagnostic State contains a toggle to enable (ON) or disable (OFF) built-in polarization sensor diagnostic detection. Polarization detection monitors the signal characteristics to the presence of excessive electrode polarization. As polarization increases, the signal waveform begins to distort. Once the distortion is too great to ensure a reliable measurement, the transmitter will issue a detected fault condition to indicate the sensor requires servicing or the process conditions are violating the sensor limits.

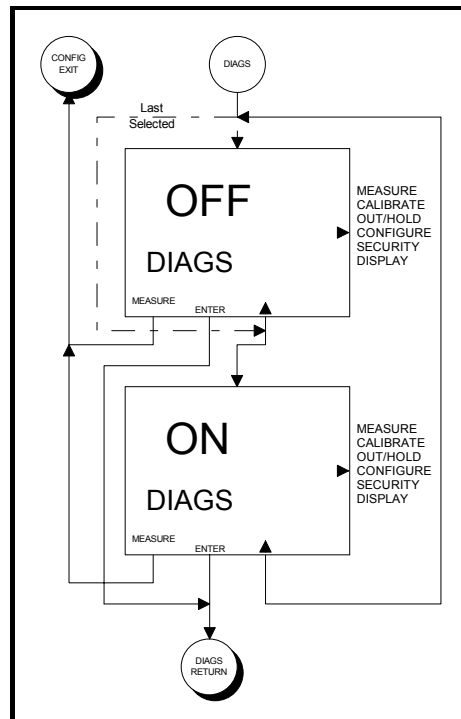


Figure 25 – Screen Flow Diagram for Diagnostic State of Operation

SECURITY MODE

The Security Mode establishes password protection against unauthorized changes to transmitter functions. Password protection can be assigned to the Security, Calibrate, and Configure Modes. Additional Security functions are available in the Physical Block and will be discussed in Physical Block Section.

The Security Mode provides password protection of critical operating environments. When in the Security Mode, toggling the primary display between security OFF and ON sets password protection for the mode displayed in the secondary display area. When one or more modes have been secured, the security password must be correctly entered at the Password State before entry into the Security Mode is allowed. One password assignment applies to all secured modes.

To prevent misuse of the security function by a malicious user, the Security Mode can be password protected without securing one or both other modes of operation.

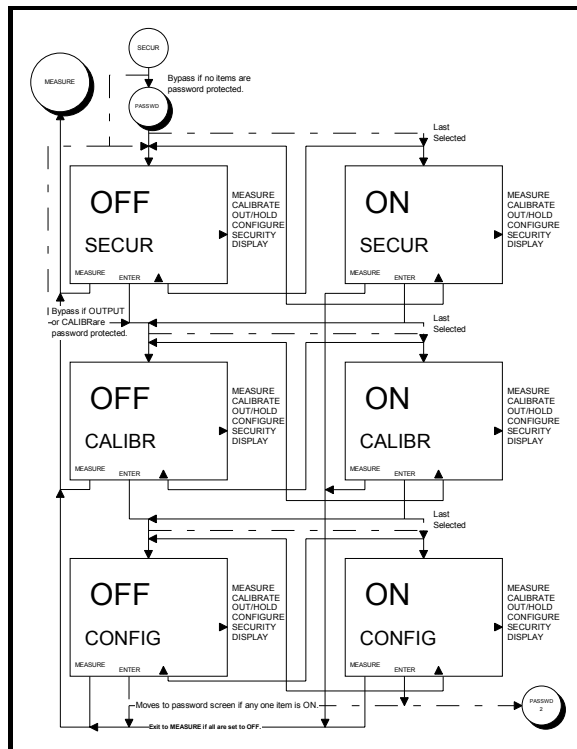


Figure 26 – Screen Flow Diagram for Security Mode of Operation

SECONDARY DISPLAY MODE

The secondary display region can be configured to display one of a multitude of process, sensor, or transmitter parameters in the Measure Mode. The Secondary Display Mode provides the ability to view these parameters or to set one parameter active in the Measure Mode. These parameters include temperature in °C, temperature in °F, sensor type, cell constant, compensated conductivity (concentration analyzer type only), user-defined text description (concentration analyzer type only), uncompensated conductivity, and software revision. The NEXT key cycles through the parameters, while the ENTER key sets the displayed parameter as the secondary display value when in the Measure Mode.

For temperature parameters, a superscript 'M' at the end of the temperature value indicates that the transmitter's Temperature Compensation State is set to Manual.

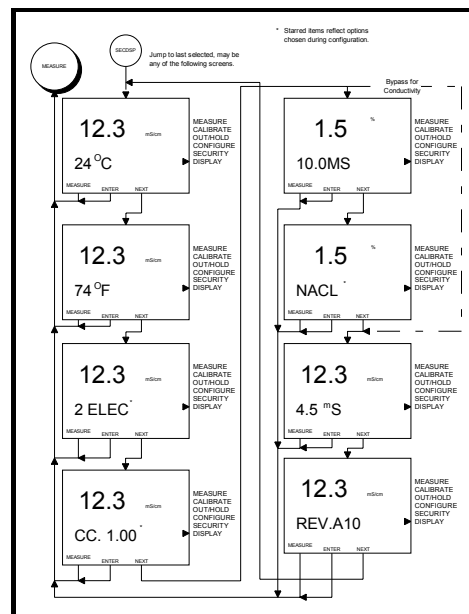


Figure 27 – Screen Flow Diagram for Secondary Display Mode of Operation

UTILITY MODE

The Utility Mode provides access to powerful functions not used during normal operating conditions. These functions have been separated into two categories: Factory and User. Factory functions are strictly reserved for factory personnel. User functions include Reset Configuration to default settings, Reset Security password, Reset All parameters to default settings, Software Reboot, setting the Device Address, entering the Device Serial Number, setting the Device Identification that determines the active device profile, and Damping functions.

The User States can be accessed using the hidden fifth key located top, center of the keypad above the display window (see Figure 2). Once the hidden key has been pressed, the secondary display will have the prompt 'USER' shown. The SELECT key provides access to the User States.

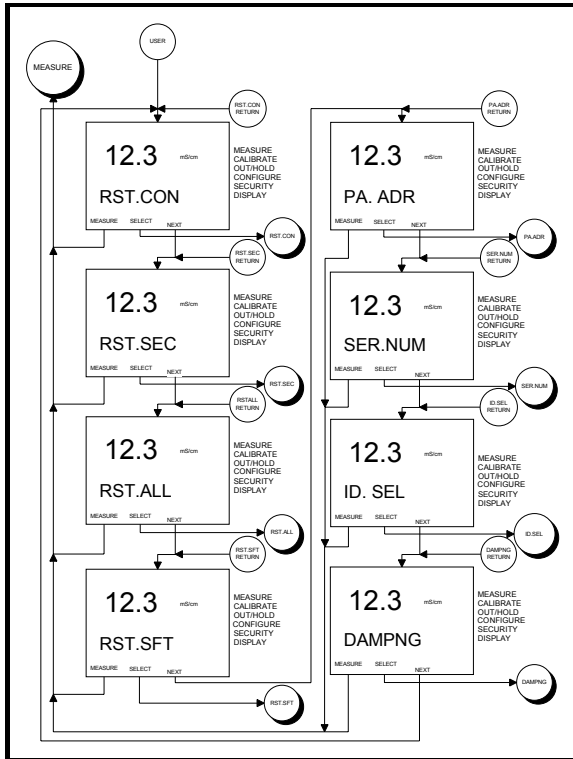


Figure 28 – Screen Flow Diagram for User States of Operation



Caution

Since the Utility Mode contains functions that can have a dramatic effect on the proper function of the transmitter, the Analog Input Blocks should be put Out Of Service until all transmitter parameters have been properly set.

Reset Configuration State

The Reset Configuration State returns the configuration to factory default settings. If the Configure Mode has been password secured, the same password will be required to perform a reset to the transmitter's configuration. See the Configuration Worksheet at the end of this manual for software default settings.

Reset Security State

The Reset Security State returns the security to factory default settings. The factory default is security OFF for all applicable modes (i.e., Security, Calibrate, and Configure). To reset the security, the password **732** must be entered when requested by the transmitter.

Reset All State

The Reset All State returns all transmitter parameters back to factory defaults. This includes calibration, configuration, security, and secondary display values. To reset all transmitter parameters, the password **255** must be entered when requested by the transmitter.



Note:

All user specific information will be lost once a Reset All or Reset Configuration has been initiated. Before initiating these reset functions, record configuration data to make reconfiguration quicker.

Reset Software State

The Soft Boot State initiates a software reset. A software reset repeats the boot-up and self-test process. All programmable instrument parameters are unaffected by this function.

PROFIBUS PA Address (PA. ADR) State

Each device on a bus segment must have a unique address. An address range of 0 to 126 is possible. The default address of the TB82TE PROFIBUS PA Transmitter as well as most competitive devices is 126; thus before operating two or more new devices on a single segment, the address should be set to a new value.

The PA Address State facilitates access to the device address. When changing the address to a value less than 100, always use a leading zero (e.g., 050).

Serial Number (SER.NUM) State

The device serial number represents the unique production number of the device assigned by the manufacturer. Since this identifier must have a unique value, the Serial Number State is password protected to prevent the accidental modification of its value; however, if access is required, contact the factory for further instructions.

Device Identification Select (ID. SEL) State

A PROFIBUS host uses the device address and identification number to identify PROFIBUS devices. Identification (ID) numbers can be Profile or Manufacturer specific. The TB82TE transmitter ID can be set to one of the following:

- Profile specific ID for PROFIBUS PA 3.0 Analyzer (9750 Hex).
- Manufacturer specific ID provided by PNO (5103 Hex).

The TB82TE device meets all requirements of the PROFIBUS PA 3.0 Analyzer Profile using either setting; however, the Manufacturer Specific ID fully utilizes all the built-in functionality of the TB82 transmitter. When using the Manufacturer Specific ID, the manufacturer GSD (ABB 5103.GSD), DTM, or EDD device file must be used.

When using the Profile Specific ID, the standard PROFIBUS PA 3.0 Analyzer GSD device file provided by the PNO (PA139750.GSD) must be used.

Damping State

The Damping State applies a lag function on the process input. The Damping State values affect Process and Secondary Value 2 (Concentration or Conductivity value based on TB settings) transmitted values. Application of the FV_VALUE in the AI blocks will apply an additional damping on the mapped variable. To adjust the Damping State, the password **367** must be entered when requested by the transmitter.

TRANSMITTER'S FIELDBUS FUNCTIONALITY

The TB82 PROFIBUS PA transmitter series meets the requirements outlined in the Analyzer Profile for Process Control Devices, Version 3.0, published by the PROFIBUS-PA Working Group. PROFIBUS is a vendor-independent fieldbus standard for manufacturing and process automation and for building technologies. This fieldbus technology is defined in the international standard EN50170 that is available to all vendors of such equipment. The PROFIBUS family encompasses three types of protocols:

- PROFIBUS-DP (Decentralized Peripherals)
- PROFIBUS-PA (Process Automation)
- PROFIBUS-FMS (Field Message Specifications)

Since these protocols are compatible, they can be combined in a single PROFIBUS network. PROFIBUS-DP and PROFIBUS-PA are specific designs for process automation.

PROFIBUS PA device communications uses the same pair of bus wires that provide power to the device. Two types of digital communication travel on a PROFIBUS network: cyclic and acyclic. Field

devices provide real time process data to automation systems. This information is provided by cyclic services and includes information on the quality of the process data. Alarms, diagnostic data, and device configuration settings are also transmitted; however, these communications must be scheduled and acyclically transmitted.

The PA profile provides the necessary structure for field device interchangeability and interoperability by using the internationally recognized function block model. Below is a complete list of the function blocks contained in the transmitter:

- **Physical Block:** This block contains general device information such as device name, manufacturer, version and serial number.
- **Analog Input Function Block:** This block provides the value measured by the sensor and includes parameter status and scaling. Two Analog Input Function Blocks are available for control loop operations.
- **Transducer Block with calibration capability:** This block contains configuration parameters, calibration functions, and diagnostic data.

The transmitter allows different types of communication services as described by the Fieldbus Message Specification (FMS) Communication Profile. This profile defines the monitoring, control, regulation, operation, alarm handling, and archiving of automation systems.

Electronic Device Data (GSD Files)

Electronic device data sheets (i.e., GSD files) contain device information for device configuration and commissioning tools. The definition of each device parameter within the GSD reduces the need of an operator to consult the product instruction manual. TB82 GSD files are available free of charge from the GSD library on the PROFIBUS homepage at www.profibus.com.

Identification Number

Profibus slaves and Class 1 master devices must be assigned an Identification (ID) number. Class 1 master devices use the ID numbers to identify the types of devices on a particular segment. These numbers are used to compare the connected devices to the ID number specified by the configuration tool. Data transfer from the configuration tool will not be initiated unless the ID numbers match. The TB82TE PROFIBUS PA transmitter can be configured to use either the Manufacturer Specific ID number (5103 Hex) or the standard Analyzer Profile 3.0 ID number (9750 Hex).

DEVICE BLOCKS

All variables and parameters of the transmitter are structured in blocks with respect to their assignment of components or functions. This structure represents the hardware and software makeup of the device and has been designed to support primary operational characteristics of the transmitter.

Blocks are logical groups of device functionality that define a particular application using a common model. In general, blocks process input parameters and events through one or more process algorithms and execution controls in order to produce the expected output parameters and events. Block parameters control the function and execution of the block and are visible over the fieldbus network.

Three types of blocks contain the profile parameters: Function Block, Transducer Block, and Physical Block.

The Physical Block contains the hardware specific characteristics associated with a device. This block does not have input and output parameters; instead, it contains an algorithm that monitors and controls the

Electronic Device Description (EDD)

Electronic Device Description files define the device properties of the field device. These files provide the information that is used by engineering tools to simplify configuration and commissioning tasks. Device diagnostics are also decoded and quite usefully when maintenance of the field device is necessary.

Device Type Manager (DTM)

The PROFIBUS User Organization has defined a system-wide device management technology: Fieldbus Device Tool (FDT). FDT provides a manufacturer-independent method of configuring, commissioning, and managing intelligent field devices using one engineering tool. Device parameterization is provided in the form of a Device Type Manager (DTM). A DTM functions in the same manner as a device driver, similar to those used on Personal Computers (PC). For PC's, device drivers integrate hardware components into the overall computer system (i.e., software and other hardware components). In a similar manner, a DTM contains all the functions and dialogs, including the user interface for the configuration, diagnosis and servicing of the fieldbus device.

general operation of the physical device hardware. Physical Block parameters include but are not limited to the manufacturer's name, device name, and identification number. Only one Physical Block is included per device.

The Transducer Blocks connect input and output functions to the function blocks residing in the same device. It interfaces with sensor input hardware and provides a measured value and status to the connected function blocks. Transducer Block parameters include but are not limited to sensor type, temperature sensor type, calibration data and routines, calibration date and diagnostic conditions. Usually at least one Transducer Block is present per device.

The Function Blocks are fundamental for providing the control system behavior. Typical Function Blocks include Analog Input (AI) and Analog Output (AO) Blocks. The number of Function Blocks within a device is not limited.

The TB82TE PROFIBUS PA Transmitter has one Physical Block, two Analog Input Function Blocks (AI),

and one Transducer Block with calibration. The following figure shows block elements for the TB82TE PROFIBUS PA Transmitter.

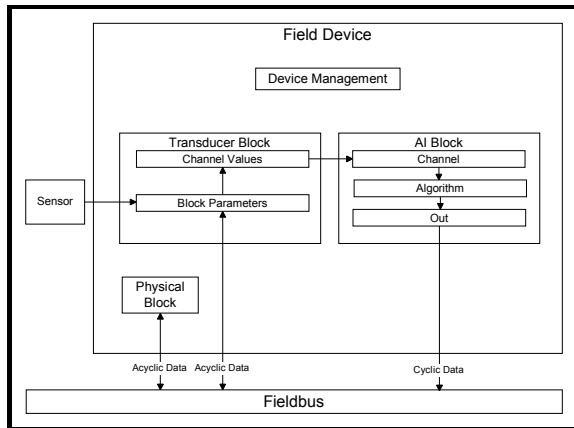


Figure 29 – Function Block Model Diagram

The following tables and diagrams contain information regarding block parameters and the structure of these parameters within the block. To assist in the interpretation of this information, the following list of column definitions is provided.

- Object Name – Lists the mnemonic character designation for the block object.
- Slot Number (Snum) -
- Slot Index (Sidx) – Defines the number corresponding to the sequence of the parameter relative to the beginning of the corresponding block in the object dictionary.
- Relative Index (Ridx) – The relative index is a logical offset of a parameter in a block.
- Object Type – Object type of the parameter value.
- Data Type – Data type of the parameter value. This is either a simple variable name or a PROFIBUS Data Structure number (DS-n).
- Description – Provides a short text description of the block object.

- Bytes – Lists the memory size of the block parameter.
- Store - Defines the type of variable for the block parameter. 'S' represents a Static, non-volatile variable that is typically a device parameter such as the type of temperature sensor or variable linearization function. This variable can only be written during an acyclic process and if the Access is Read/Write. Writing to a static parameter changes the static revision of the counter ST_REV. 'N' represents a Non-volatile variable that does not update the static revision. 'D' represents a Dynamic variable. The value for this variable is calculated by the block and can be read by another block. 'C' represents a Constant. This parameter does not change in the device.
- Access – Defines the access rights of the block parameter. 'R' represents a parameter that only has Read access. 'R/W' represents a parameter that has Read and Write access.
- Default – Lists the default setting for the listed block parameter during initial start up or when a Cold Start is initiated.
- Valid Range – Lists the valid range of selections for the listed block parameter.
- Note – Identifies additional information for the listed block parameter that is available at the end of the block object tables.

Device Management defines the directory of supported blocks and block parameters. The following table lists the Device Management parameter information.

DEVICE MANAGEMENT

Object Name	Description	Slot	Slot Index	Relative Index	Object Type	Data Type	Bytes	Store	Access	Default	Valid Range	Note
Standard Parameters												
HEADER	Directory Object Header	1	0		Array	Unsigned16	12	C	R			
COMPOSITE_LIST_DIRECTORY_ENTRY	Directory Index	1	1		Array	Unsigned16	12	C	R			
COMPOSITE_DIRECTORY_ENTRY	Directory Entries	1	2		Array	Unsigned16	16	C	R			
Reserved	Reserved	1	3 to 13									

The Physical Block includes data and parameters that defined the overall operation of the device. These parameters describe the hardware specific characteristics of the device. The following table lists the Physical Block parameter information.

PHYSICAL BLOCK

Object Name	Description	Slot	Slot Index	Relative Index	Object Type	Data Type	Bytes	Store	Access	Default	Valid Range	Note
Standard Parameters												
BLK_DATA	Block Data	0	180	0	Record	DS-32	20	C	R			
ST_REV	Static Revision	0	181	1	Simple	Unsigned16	2	N	R			
TAG_DESC	Tag Description	0	182	2	Simple	OctetString	32	S	RW	Spaces		
STRATEGY	Strategy	0	183	3	Simple	Unsigned16	2	S	RW	0		
ALERT_KEY	Alert Key	0	184	4	Simple	Unsigned8	1	S	RW	0		
TARGET_MODE	Target Mode	0	185	5	Simple	Unsigned8	1	S	RW	0x08	0x08 =AUTO	
MODE_BLK	Block Mode	0	186	6	Record	DS-37	3	D	R			
	Actual				Simple	Unsigned8	1	D	R	0X08=AUTO		
	Permitted				Simple	Unsigned8	1	D	R	0X08=AUTO		
	Normal				Simple	Unsigned8	1	D	R	0X08=AUTO		
ALARM_SUM	Alarm Summary	0	187	7	Record	DS-42	8	D	R			
	Current				Simple	OctetString	2	D	R			P
	Unreported				Simple	OctetString	2	D	R			Q
	Unacknowledged				Simple	OctetString	2	D	R			Q
	Disabled				Simple	OctetString	2	D	R			Q
Standard Physical Block Parameters												
SOFTWARE_REVISION	Software Revision	0	188	8	Simple	VisibleString	16	C	R	Current Revision		
HARDWARE_REVISION	Hardware Revision	0	189	9	Simple	VisibleString	16	C	R	Current Revision		
DEVICE_MAN_ID	Manufacturer Identification	0	190	10	Simple	Unsigned16	2	C	R	26 (ABB)		
DEVICE_ID	Device Identification	0	191	11	Simple	VisibleString	16	C	R	TB82TE PA 3.0		
DEVICE_SERIAL_NUM	Device Serial Number	0	192	12	Simple	VisibleString	16	C	R			
DIAGNOSIS	Device Diagnosis Information	0	193	13	Simple	OctetString	4	D	R			
DIAGNOSIS_EXTENSION	Additional Device Diagnosis Information	0	194	14	Simple	OctetString	6	D	R			
DIAGNOSIS_MASK	Diagnosis Definition	0	195	15	Simple	OctetString	4	C	R	0x33, 0xBC, 0x00, 0x80		
DIAGNOSIS_MASK_EXTENSION	Extended Diagnosis Definition	0	196	16	Simple	OctetString	6	C	R	0x07, 0x00		
DEVICE_CERTIFICATION	Device Certification	0	197	17	Simple	VisibleString	32	C	R			
WRITE_LOCKING	Software Write Protection	0	198	18	Simple	Unsigned16	2	N	RW	2457	0=Locked; 2457=Unlocked	
FACTORY_RESET	Restore Factory Defaults	0	199	19	Simple	Unsigned16	2	S	RW		1=Reset; 2506=Warm Start; 2712=Reset Bus Address	
DESCRIPTOR	Descriptor	0	200	20	Simple	VisibleString	32	S	RW	Spaces		
DEVICE_MESSAGE	Device Message	0	201	21	Simple	VisibleString	32	S	RW	Spaces		
DEVICE_INSTAL_DATE	Device Installation Date	0	202	22	Simple	VisibleString	16	S	RW	Spaces		
LOCAL_OP_ENA	Local Operator Interface Enable	0	203	23	Simple	Unsigned8	1	N	RW	1	0=Disabled; 1=Enabled	
IDENT_NUMBER_SELECTOR	Identification Number Selector	0	204	24	Simple	Unsigned8	1	S	RW		0=Profile-Specific ID 1=Mfgr-Specific ID	
HW_WRITE_PROTECTION	Hardware Write Protection	0	205	25	Simple	Unsigned8	1	D	R	0	0=Disabled; 1=Enabled	
Analyzer Specific Physical Block Parameters												
DEVICE_CONFIGURATION	Device Configuration	0	216	36	Simple	VisibleString	32	N	R	"Transducer Block (TB) PV = Conductivity Value"	"TB PV = Conductivity Value "TB PV = Concentration Value" (Based on TB_PRIMARY_VALUE_TYPE)	
INIT_STATE	Initialization State	0	217	37	Simple	Unsigned8	1	S	RW	2	2=Run	
DEVICE_STATE	Device State	0	218	38	Simple	Unsigned8	1	D	RW	2	2=Run; 5=Maintenance	O
GLOBAL_STATUS	Global Status	0	219	39	Simple	Unsigned16	2	D	R			
TB82TE Specific Physical Block Parameters												
LCD_SECONDARY	Local Secondary Display	0	228	48	Simple	Unsigned8	1	S	RW	0	0=Deg.C; 1=Deg.F; 2=Sensor Type; 3=Cell Constant; 4=Conductivity; 5=Concentration Text; 6=Uncompensated Conductivity; 7=Software Revision Table 5	
SECURITY_LOCK	Security Lock	0	229	49	Simple	Unsigned8	1	S	RW	1	0=Locked; 1=Unlocked	
CONFIGURATION_LOCK	Configuration Mode Lock	0	230	50	Simple	Unsigned8	1	S	RW	1	0=Locked; 1=Unlocked	
CALIBRATION_LOCK	Calibration Mode Lock	0	231	51	Simple	Unsigned8	1	S	RW	1	0=Locked; 1=Unlocked	
PASSWORD	Security Password	0	232	52	Array	Unsigned8	3	S	RW	000	000 to 999	
DEV_ADD	Device Address	0	233	53	Simple	Unsigned8	1	S	RW	126	2 to 126	
PRIVATE_SW_REV	Private Software Revision	0	234	54	Simple	VisibleString	6	C	R	Current Revision		
PRIVATE_HW_REV	Private Hardware Revision	0	235	55	Simple	VisibleString	6	C	R	Current Revision		
VIEW_1	View 1	0	240	60	View_1	OctetString	20	C	R			L

The Transducer Block contains block parameters that configure the device's functionality. It insulates the sensor characteristics and signal conditioning from the other device Function Blocks. Specifically, it interprets the sensor signal based on configured values, applies factory and process calibration data, compensates for temperature and process effects, and converts the resulting values in the configured Engineering Units that can be used by the Analog Input Blocks contained within the device.

The following diagram illustrates the Transducer Block design. Note, AI1 is permanent linked to the Primary Variable. Only AI2 can be set to either the Primary Variable or any one Secondary Variable.

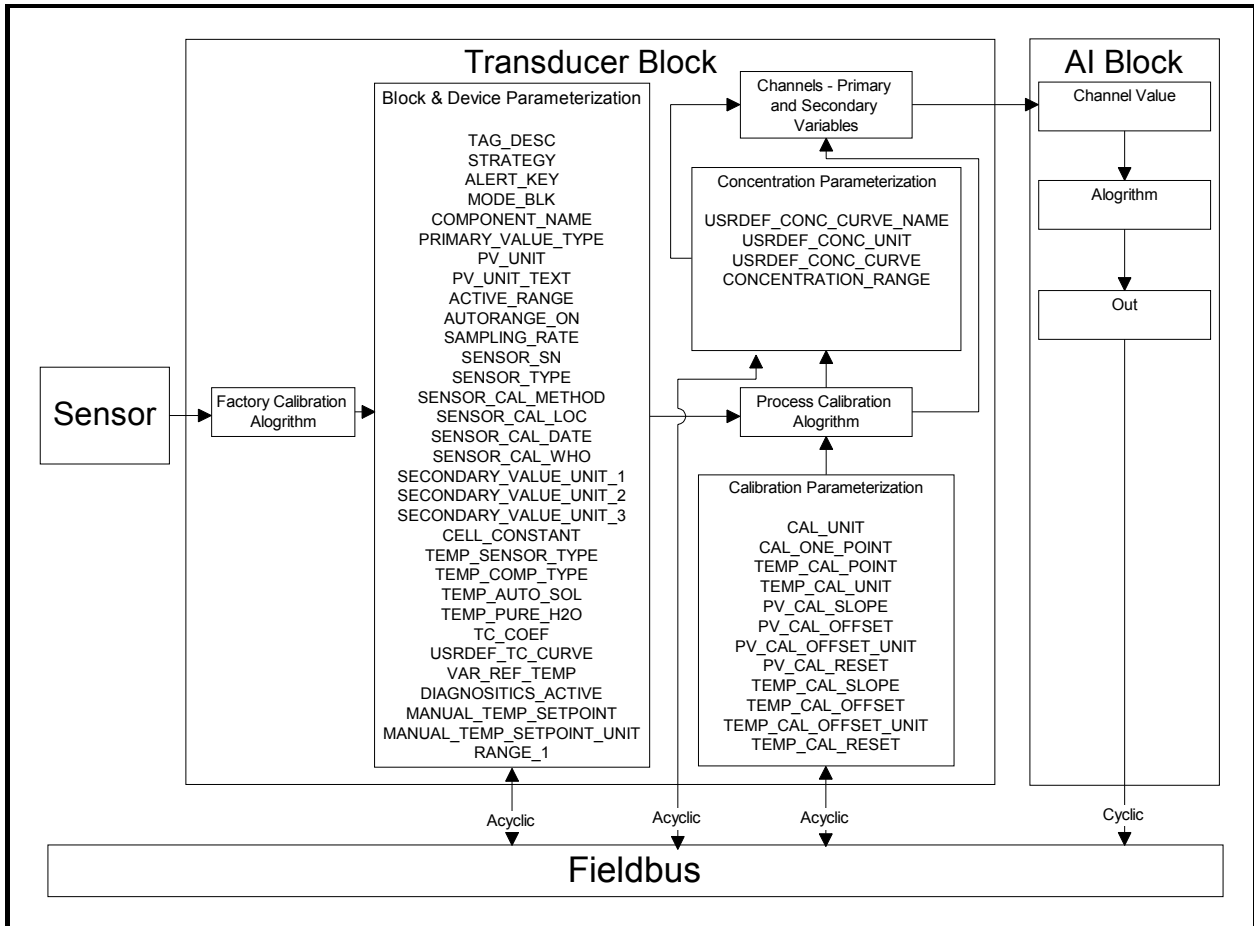


Figure 30 – Transducer Block Design Diagram

The following table lists the Transducer Block parameter information.

CONDUCTIVITY/CONCENTRATION TRANSDUCER BLOCK

Object Name	Description	Slot	Slot Index	Relative Index	Object Type	Data Type	Bytes	Store	Access	Default	Valid Range	Note
Standard Parameters												
BLK_DATA	Block Data	1	80	0	Record	DS-32	20	C	R			
ST_REV	Static Revision	1	81	1	Simple	Unsigned16	2	N	R			
TAG_DESC	Tag Description	1	82	2	Simple	OctetString	32	S	RW	Spaces		
STRATEGY	Strategy	1	83	3	Simple	Unsigned16	2	S	RW	0		
ALERT_KEY	Alert Key	1	84	4	Simple	Unsigned8	1	S	RW	0		
TARGET_MODE	Target Mode	1	85	5	Simple	Unsigned8	1	S	RW	0x08	0x08 =AUTO	
MODE_BLK	Block Mode	1	86	6	Record	DS-37	3	D	R			
	Actual				Simple	Unsigned8	1	D	R	0X08=AUTO		
	Permitted				Simple	Unsigned8	1	D	R	0X08=AUTO		
	Normal				Simple	Unsigned8	1	D	R	0X08=AUTO		
ALARM_SUM	Alarm Summary	1	87	7	Record	DS-42	8	D	R			
	Current				Simple	OctetString	2	D	R			P
	Unreported				Simple	OctetString	2	D	R			Q
	Unacknowledged				Simple	OctetString	2	D	R			Q
	Disabled				Simple	OctetString	2	D	R			Q
Analyzer Profile Specific Transducer Block Parameters												
COMPONENT_NAME	Measurement Value	1	88	8	Simple	OctetString	32	S	RW	TB82TE Conductivity		
PV	Primary Variable	1	89	9	Record	DS-60	12	D	R			
	PV Value in Primary Variable Unit				Simple	Float	4	D	R			
	PV Status				Simple	Unsigned8	1	D	R			
	PV Time (Not Used)				Simple	Date	7	D	R			
PV_UNIT	Primary Variable Unit	1	90	10	Simple	Unsigned16	2	S	RW	1552	1302=mS/cm; 1342=%; 1423=ppm; 1424=ppb; 1552=uS/cm; 1997=None	
PV_UNIT_TEXT	Additional Unit Information	1	91	11	Simple	OctetString	8	S	RW	Spaces		
ACTIVE_RANGE	Number of the currently active range	1	92	12	Simple	Unsigned8	1	S	RW	1	1	
AUTORANGE_ON	Auto-range Switch	1	93	13	Simple	Boolean	1	S	RW	1	0 = Auto range OFF 1 = Auto range ON	
SAMPLING_RATE	Sampling Rate in milliseconds	1	94	14	Simple	Time_diff	4	S	RW	100 msec	50 msec	
NUMBER_OF_RANGES	Number of Ranges	1	105	25	Simple	Unsigned8	1	N	R	1		
RANGE_1	Primary Value Range	1	106	26	Record	DS-61	8	N	RW			
	Beginning of range				Simple	Float	4	N	RW	0.000 uS/cm	Table 3	
	End of range				Simple	Float	4	N	RW	199.9 uS/cm	Table 3	
TB82TE Specific Transducer Block Parameters												
PRIMARY_VALUE_TYPE	Primary Value Type	1	107	27	Simple	Unsigned16	2	S	RW	113	113=Conductivity; 117=Concentration	A
PV_UPPER_LIMIT	Primary Value Upper Range Limit	1	108	28	Simple	Float	4	S	RW	199.9	Table 3	
PV_UPPER_LIMIT_UNIT	Primary Value Upper Range Limit Unit	1	109	29	Simple	Unsigned16	2	S	RW	1552	1302=mS/cm; 1342=%; 1423=ppm; 1424=ppb; 1552=uS/cm; 1997=None	
PV_LOWER_LIMIT	Primary Value Lower Range Limit	1	110	30	Simple	Float	4	S	RW	0.000	Table 3	
PV_LOWER_LIMIT_UNIT	Primary Value Lower Range Limit Unit	1	111	31	Simple	Unsigned16	2	S	RW	1552	1302=mS/cm; 1342=%; 1423=ppm; 1424=ppb; 1552=uS/cm; 1997=None	
CAL_UNIT	Calibration Unit	1	112	32	Simple	Unsigned16	2	S	RW	1552	1302=mS/cm; 1342=%; 1423=ppm; 1424=ppb; 1552=uS/cm; 1997=None	
CAL_ONE_POINT	One-Point Calibration Value	1	113	33	Simple	Float	4	S	RW			
SENSOR_TYPE	Sensor Type	1	114	34	Simple	Unsigned16	2	C	R	104	104=Ohm	
SENSOR_RANGE	Sensor Range	1	115	35	Record	DS-36	11	N	R	0.0 to 199.9 uS/cm	Table 3	
SENSOR_SN	Sensor Serial Number	1	116	36	Simple	Unsigned32	4	S	RW	0		
SENSOR_CAL_METHOD	Sensor Calibration Method	1	117	37	Simple	Unsigned8	1	S	R	104	104=User trim standard calibration	
SENSOR_CAL_LOC	Sensor Calibration Location	1	118	38	Simple	OctetString	32	S	RW	Spaces		
SENSOR_CAL_DATE	Sensor Calibration Date	1	119	39	Simple	OctetString	16	S	RW	Spaces		
SENSOR_CAL_WHO	Person Conducting the Sensor Calibration	1	120	40	Simple	OctetString	32	S	RW	Spaces		
SECONDARY_VALUE_1	Secondary Value 1	1	121	41	Record	DS-33	5	D	R			
	Value				Simple	Float	4	D	R			
	Status				Simple	Unsigned8	1	D	R			
SECONDARY_VALUE_UNIT_1	Secondary Value 1 Unit	1	122	42	Simple	Unsigned16	2	S	RW	1001	1001=°C; 1002=°F	
SECONDARY_VALUE_2	Secondary Value 2	1	123	43	Record	DS-33	5	D	R			
	Value				Simple	Float	4	D	R			
	Status				Simple	Unsigned8	1	D	R			
SECONDARY_VALUE_UNIT_2	Secondary Value 2 Unit	1	124	44	Simple	Unsigned16	2	N	RW	1342	1302=mS/cm; 1342=%; 1423=ppm; 1424=ppb; 1552=uS/cm; 1997=None	
SECONDARY_VALUE_3	Secondary Value 3	1	125	45	Record	DS-33	5	D	R			
	Value				Simple	Float	4	D	R			
	Status				Simple	Unsigned8	1	D	R			

Object Name	Description	Slot	Slot Index	Relative Index	Object Type	Data Type	Bytes	Store	Access	Default	Valid Range	Note
SECONDARY_VALUE_UNIT_3	Secondary Value 3 Unit	1	126	46	Simple	Unsigned16	2	N	RW	1552	1302=mS/cm; 1552=uS/cm	
CELL_CONSTANT	Sensor Group	1	127	47	Simple	Unsigned8	1	S	RW	0.01	0.003 to 1.999	
TEMP_SENSOR_TYPE	Temperature Sensor Type	1	129	49	Simple	Unsigned8	1	S	RW	2	0=Balco; 1=P1100; 2=P11000; 3=None	
TEMP_COMP_TYPE	Temperature Compensation Type	1	130	50	Simple	Unsigned8	1	S	RW	0	0=Manual; 1=Automatic	
TEMP_AUTO_SOL	Automatic Solution Temperature Compensation	1	131	51	Simple	Unsigned8	1	S	RW	0	0=Standard KCl; 1=Coefficient; 2=Pure Water; 3=Used Defined	B
TEMP_PURE_H2O	Pure Water Temperature Compensation	1	132	52	Simple	Unsigned8	1	S	RW	0	0=Neutral; 1=Acid; 2=Base	C
TC_COEF	Solution Coefficient Temperature Compensation	1	133	53	Simple	Float	4	S	RW	2.00	0 to 9.99 %/°C	D
USRDEF_TC_CURVE	User-Defined Temperature Compensation Curve Values	1	134	54	Record	Dev. Specific	48	S	RW	x, y 0, 1.8 25, 1.0 50, 0.69 75, 0.50 100, 0.38 156, 0.25	Each x value: 0 to 999 °C (increasing monotonically) Each y value: 0 to 19.99	E
VAR_REF_TEMP	Temperature Compensation Reference Temperature Value	1	135	55	Simple	Float	4	S	RW	25 °C	-20 to 200 °C	
USRDEF_CONC_CURVE_NAME	User-Defined Concentration Text String	1	136	56	Simple	OctetString	6	S	RW	AAAAAA	Characters A to Z, space, or "-"	
USRDEF_CONC_UNIT	User-Defined Concentration Engineering Unit		137	57	Simple	Unsigned16	2	S	RW	1342	1342=%; 1423=ppm; 1424=ppb; 1997=None	
USRDEF_CONC_CURVE	User-Defined Concentration Curve Values		138	58	Record	Dev. Specific	48	S	RW	x, y 0, 0.0 40, 4.0 80, 8.0 120, 12.0 160, 16.0 199.9, 19.99 x in uS/cm y in %	Each x value: 0 to 19990 uS/cm for Cell Constant 0.3 to 1.999 0 to 1999 uS/cm for Cell Constant 0.055 to 0.299 0 to 199.9 uS/cm for Cell Constant 0.003 to 0.054 Each y value: 0 to 1999% (conc. range 0) 0 to 199.9% (conc. range 1) 0 to 19.99% (conc. range 2) 0 to 1.999% (conc. range 3) (y values must be monotonic)	
CONCENTRATION_RANGE	Concentration Range	1	139	59	Simple	Unsigned8	1	S	RW	1	0=0-1999; 1=0-199.9; 2=0-19.99; 3=0-1.999	
DIAGNOSTICS_ACTIVE	Sensor Diagnostic Enable/Disable Toggle	1	140	60	Simple	Unsigned8	1	S	RW	0	0=Disable; 1=Enable	
MANUAL_TEMP_SETPOINT	Manual Temperature Compensation Setpoint	1	141	61	Simple	Float	4	S	RW	25 °C	-20 to 300 °C	G
MANUAL_TEMP_SETPOINT_UNIT	Manual Temperature Compensation Setpoint Unit	1	142	62	Simple	Unsigned16	2	S	RW	1001	1001=Deg. C; 1002=Deg. F	
TEMP_CAL-POINT	Temperature Calibration Point	1	143	63	Simple	Float	4	S	RW	25 °C	-20 to 300 °C	G
TEMP_CAL_UNIT	Temperature Calibration Point Unit	1	144	64	Simple	Unsigned16	2	S	RW	1001	1001=Deg. C; 1002=Deg. F	
PV_CAL_SLOPE	Process Variable Calibration Slope Value	1	145	65	Simple	Float	4	S	RW	100%	20 to 500%	
PV_CAL_SLOPE_UNIT	Process Variable Calibration Slope Unit	1	146	66	Simple	Unsigned16	2	N	R	1342	1342=%	
PV_CAL_OFFSET	Process Variable Calibration Offset Value	1	147	67	Simple	Float	4	S	RW	0 uS/cm	-20 to +20 uS/cm (Cell Constant = 0.3 to 1.999) -4 to +4 uS/cm (Cell Constant = 0.055 to 0.299) -0.8 to +0.8 uS/cm (Cell Constant = 0.003 to 0.054)	
PV_CAL_OFFSET_UNIT	Process Variable Calibration Offset Unit	1	148	68	Simple	Unsigned16	2	N	R	1552	1302=mS/cm; 1342=%; 1423=ppm; 1424=ppb; 1552=uS/cm; 1997=None	
PV_CAL_RESET	Process Variable Reset	1	149	69	Simple	Unsigned8	1	S	RW	0	0=No; 1=Yes	
TEMP_CAL_SLOPE	Temperature Calibration Slope Value	1	150	70	Simple	Float	4	S	RW	100%	20 to 150%	
TEMP_CAL_SLOPE_UNIT	Temperature Calibration Slope Unit	1	151	71	Simple	Unsigned16	2	N	R	%	1342=%	
TEMP_CAL_OFFSET	Temperature Calibration Offset Value	1	152	72	Simple	Float	4	S	RW	0 °C	-40 to +40 °C	
TEMP_CAL_OFFSET_UNIT	Temperature Calibration Offset Unit	1	153	73	Simple	Unsigned16	2	N	RW	1001	1001=Deg. C; 1002=Deg. F	
TEMP_CAL_RESET	Temperature Calibration Reset	1	154	74	Simple	Unsigned8	1	S	RW	0	0=No; 1=Yes	
EXTENDED_STATUS_VIEW_1	Extended Status View 1	1	155	75	Array	Unsigned8	7	N	R			
VIEW_1	View 1	1	156	76	View_1	OctetString	26	N	R			M

The Analog Input (AI) Function Blocks are used to publish Primary and Secondary Variable data onto the fieldbus segment. AI1 is fixed to the Primary Variable; however, AI2 can be mapped to any one of the five variables. These include and are limited to the primary process variable (i.e., conductivity, or concentration depending on PRIMARY_VALUE_TYPE) or any one of the secondary process variables (i.e., temperature or uncompensated conductivity).

The following diagram illustrates the Analog Input One Function Block design.

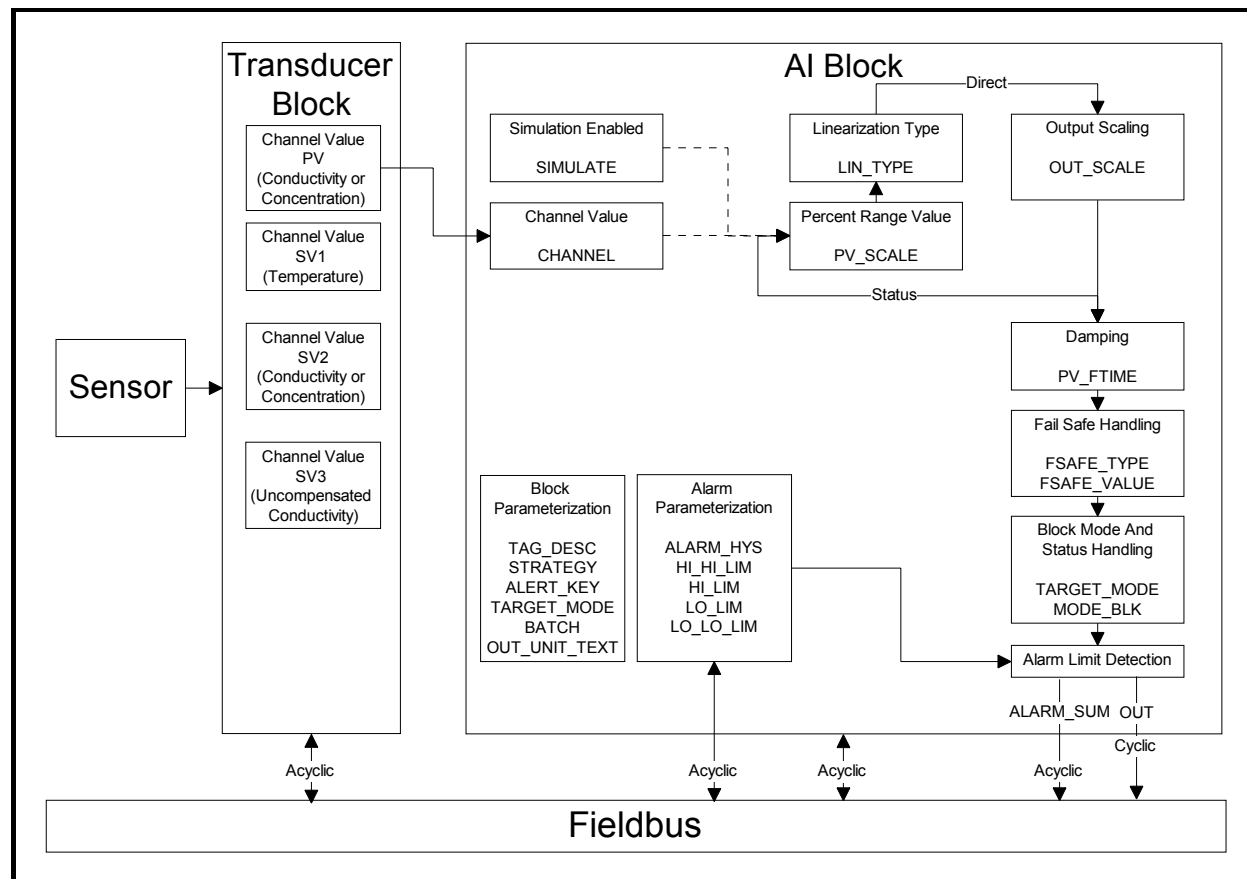


Figure 31 – Analog Input One Function Block Design Diagram

The following table lists the Analog Input One Function Block parameter information.

ANALOG INPUT 1 - FUNCTION BLOCK

Object Name	Description	Slot	Slot Index	Relative Index	Object Type	Data Type	Bytes	Store	Access	Default	Valid Range	Note
Standard Parameters												
BLK_DATA	Block Data	1	16	0	Record	DS-32	20	C	R			
ST_REV	Static Revision	1	17	1	Simple	Unsigned16	2	N	R			
TAG_DESC	Tag Description	1	18	2	Simple	OctetString	32	S	RW	Spaces		
STRATEGY	Strategy	1	19	3	Simple	Unsigned16	2	S	RW	0		
ALERT_KEY	Alert Key	1	20	4	Simple	Unsigned8	1	S	RW	0		
TARGET_MODE	Target Mode	1	21	5	Simple	Unsigned8	1	S	RW	8	128 =OOS, 16=MAN, 8=AUTO	
MODE_BLK	Block Mode	1	22	6	Record	DS-37	3	D	R			
	Actual				Simple	Unsigned8	1	D	R			
	Permitted				Simple	Unsigned8	1	D	R	128 (OOS) 16 (MAN) 8 (AUTO)		
	Normal				Simple	Unsigned8	1	D	R	8=AUTO		
ALARM_SUM	Alarm Summary	1	23	7	Record	DS-42	8	D	R			
	Current				Simple	OctetString	2	D	R			P
	Unreported				Simple	OctetString	2	D	R			Q
	Unacknowledged				Simple	OctetString	2	D	R			Q
	Disabled				Simple	OctetString	2	D	R			Q
BATCH	Batch	1	24	8	Record	DS-67	10	S	RW			
Standard Analog Input Block Parameters												
OUT	Output	1	26	10	Record	DS-33	5	D	RW			H
PV_SCALE	Process Variable Scale	1	27	11	Array	Float	8	S	RW			
	High Range				Simple	Float	4	N	RW	199.9 uS/cm	Table 3	I-2
	Low Range				Simple	Float	4	N	RW	0 uS/cm	Table 3	I-2
OUT_SCALE	Output Scale	1	28	12	Record	DS-36	11	S	RW			
	High Range				Simple	Float	4	S	RW	199.9 uS/cm		I-1 I-2
	Low Range				Simple	Float	4	S	RW	0 uS/cm		I-1 I-2
	Units				Simple	Float	2	S	RW	uS/cm	Table 7	
	Decimal Point				Simple	Interger8	1	S	RW	2		
LIN_TYPE	Linearity Type	1	29	13	Simple	Unsigned8	1	S	RW	0	0 = Linear	
CHANNEL	Channel	1	30	14	Simple	Unsigned16	2	S	RW	265	265 = PV Channel	
PV_FTIME	Process Variable Filter Time Constant	1	32	16	Simple	Float	4	S	RW	0	0 to 32 Seconds	
FSAFE_TYPE	Fail Safe Reaction Type	1	33	17	Simple	Unsigned8	1	S	RW	1	Table 6	
FSAFE_VALUE	Fail Safe Output Value	1	34	18	Simple	Float	4	S	RW	0		
ALARM_HYS	Alarm Hysteresis	1	35	19	Simple	Float	4	S	RW	0		
HI_HI_LIM	High-High Alarm Limit	1	37	21	Simple	Float	4	S	RW	199.9 uS/cm		J-1
HI_LIM	High Alarm Limit	1	39	23	Simple	Float	4	S	RW	199.9 uS/cm		J-1
LO_LIM	Low Alarm Limit	1	41	25	Simple	Float	4	S	RW	0 uS/cm		J-1
LO_LO_LIM	Low-Low Alarm Limit	1	43	27	Simple	Float	4	S	RW	0 uS/cm		J-1
HI_HI_ALM	High-High Alarm State	1	46	30	Record	DS-39	16	D	R			
HI_ALM	High Alarm State	1	47	31	Record	DS-39	16	D	R			
LO_ALM	Low Alarm State	1	48	32	Record	DS-39	16	D	R			
LO_LO_ALM	Low-Low Alarm State	1	49	33	Record	DS-39	16	D	R			
SIMULATE	Simulate	1	50	34	Record	DS-50	6	S	RW			
	Simulate Status					Unsigned8	1	S	RW	0x80		
	Simulate Value					Float	4	S	RW	0		
	Simulate Enable/Disable					Unsigned8	1	S	RW	0	0 = Disabled Not 0 = Enabled	
OUT_UNIT_TEXT	Output Unit Text	1	51	35	Simple	OctetString	16	S	RW	Spaces		

Object Name	Description	Slot	Slot Index	Relative Index	Object Type	Data Type	Bytes	Store	Access	Default	Valid Range	Note
TB82TE Specific Analog Input Block Parameters												
TREND_VAR	AI OUT Trend	1	61	45	Record	Device Specific	97	S	RW			
	Block Index					Unsigned16	2	S	RW	3	3 = AI1 Block	
	Parameter relative index					Unsigned16	2	S	RW	26	26 = AI OUT parameter	
	Sample type					Unsigned8	1	S	RW	0	0=Not initialized (Trend Disabled) 1=Instantaneous value	
	Sample interval (in milliseconds)					Float	4	S	RW	0		
	Last update (time of last trend value update relative to device startup)					DS-21	8	D	R			
	Sample value 1 to 16 (Sample value 1 = value of latest sample, sample value 16 = value of oldest sample)					Float	4x16	D	R			
	Sample status 1 to 16 (Sample status 1 = status of latest sample, sample status 16 = status of oldest sample)					Unsigned8	1x16	D	R			
VIEW_1	View 1	1	62	46	View_1	OctetString	18	N	R			N

The following diagram illustrates the Analog Input Two Function Block design.

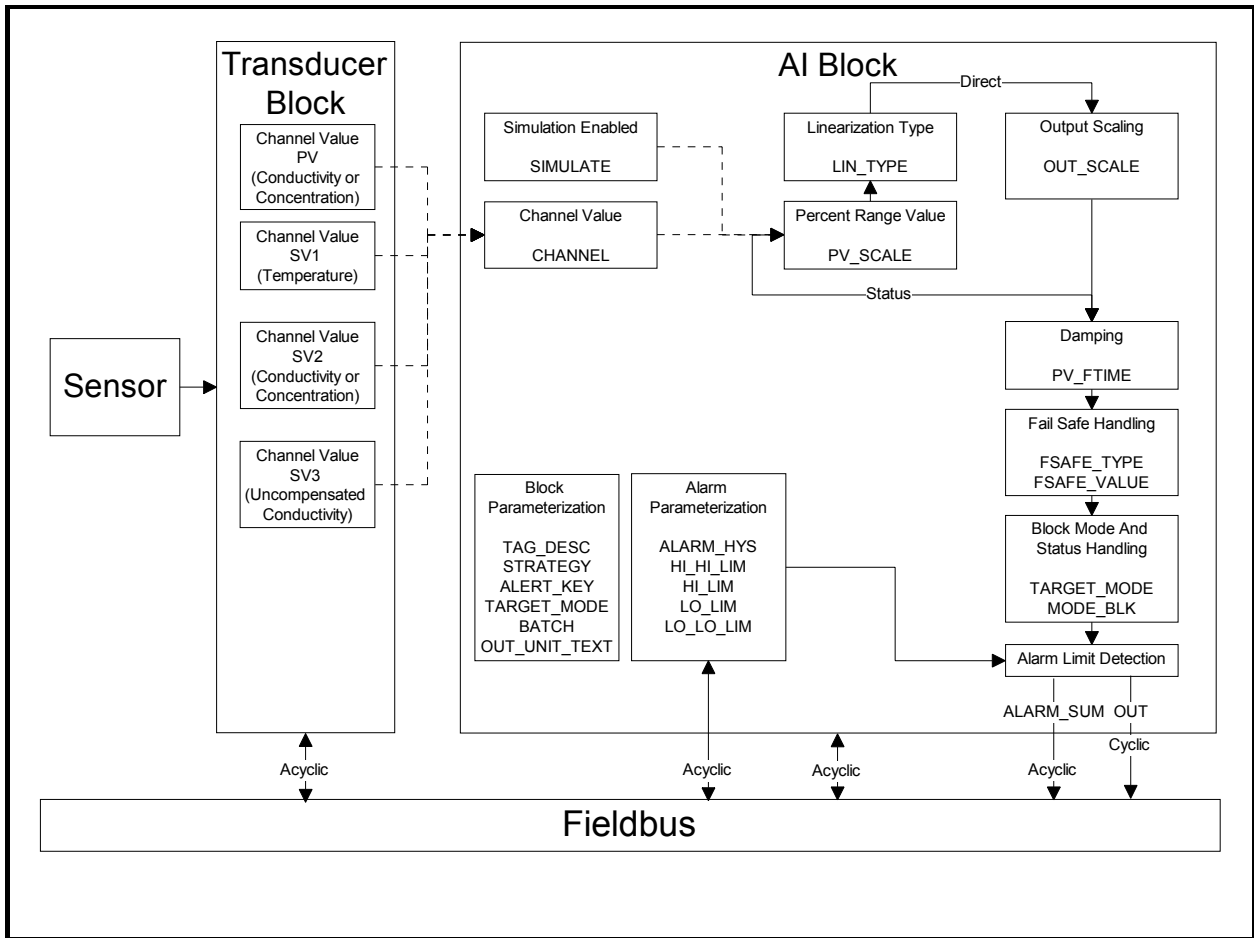


Figure 32 – Analog Input Two Function Block Design Diagram

The following table lists the Analog Input Two Function Block parameter information.

ANALOG INPUT 2 - FUNCTION BLOCK

Object Name	Description	Slot	Slot Index	Relative Index	Object Type	Data Type	Bytes	Store	Access	Default	Valid Range	Note
Standard Parameters												
BLK_DATA	Block Data	2	16	0	Record	DS-32	20	C	R			
ST_REV	Static Revision	2	17	1	Simple	Unsigned16	2	N	R			
TAG_DESC	Tag Description	2	18	2	Simple	OctetString	32	S	RW	Spaces		
STRATEGY	Strategy	2	19	3	Simple	Unsigned16	2	S	RW	0		
ALERT_KEY	Alert Key	2	20	4	Simple	Unsigned8	1	S	RW	0		
TARGET_MODE	Target Mode	2	21	5	Simple	Unsigned8	1	S	RW	8	128=OOS; 16=MAN; 8=AUTO	
MODE_BLK	Actual Block Mode	2	22	6	Record	DS-37	3	D	R			
	Actual				Simple	Unsigned8	1	D	R	128 (OOS) 16 (MAN) 8 (AUTO)		
	Permitted				Simple	Unsigned8	1	D	R	8=AUTO		
	Normal				Simple	Unsigned8	1	D	R			
ALARM_SUM	Alarm Summary	2	23	7	Record	DS-42	8	D	R			
	Current				Simple	OctetString	2	D	R			P
	Unreported				Simple	OctetString	2	D	R			Q
	Unacknowledged				Simple	OctetString	2	D	R			Q
	Disabled				Simple	OctetString	2	D	R			Q
BATCH	Batch	2	24	8	Record	DS-67	10	S	RW	0		
Standard Analog Input Block Parameters												
OUT	Output	2	26	10	Record	DS-33	5	D	RW			H
PV_SCALE	Process Variable Scale	2	27	11	Array	Float	8	S	RW			
	High Range				Simple	Float	4	N	RW	300 °C	Table 3	I-2 to I-5
	Low Range				Simple	Float	4	N	RW	-20 °C	Table 3	I-2 to I-5
OUT_SCALE	Output Scale	2	28	12	Record	DS-36	11	S	RW			
	High Range				Simple	Float	4	S	RW	300 °C		I
	Low Range				Simple	Float	4	S	RW	-20 °C		I
	Units				Simple	Unsigned16	2	S	RW	°C	Table 7	
	Decimal Point				Simple	Interger8	1	S	RW	2		
LIN_TYPE	Linearity Type	2	29	13	Simple	Unsigned8	1	S	RW			
CHANNEL	Channel	2	30	14	Simple	Unsigned16	2	S	RW	297	265=PV, 297=Temp (SV1); 299=Conductivity or Concentration (SV2); 301=Uncompensated Conductivity (SV3)	
PV_FTME	Process Variable Filter Time Constant	2	32	16	Simple	Float	4	S	RW	0	0 to 32 Seconds	
FSAFE_TYPE	Fail Safe Reaction Type	2	33	17	Simple	Unsigned8	1	S	RW	1	Table 6	
FSAFE_VALUE	Fail Safe Output Value	2	34	18	Simple	Float	4	S	RW	0		
ALARM_HYS	Alarm Hysteresis	2	35	19	Simple	Float	4	S	RW	0		
HI_HI_LIM	High-High Alarm Limit	2	37	21	Simple	Float	4	S	RW	300 °C		J
HI_LIM	High Alarm Limit	2	39	23	Simple	Float	4	S	RW	300 °C		J
LO_LIM	Low Alarm Limit	2	41	25	Simple	Float	4	S	RW	-20 °C		J
LO_LO_LIM	Low-Low Alarm Limit	2	43	27	Simple	Float	4	S	RW	-20 °C		J
HI_HI_ALM	High-High Alarm State	2	46	30	Record	DS-39	16	D	R			
HI_ALM	High Alarm State	2	47	31	Record	DS-39	16	D	R			
LO_ALM	Low Alarm State	2	48	32	Record	DS-39	16	D	R			
LO_LO_ALM	Low-Low Alarm State	2	49	33	Record	DS-39	16	D	R			
SIMULATE	Simulate	2	50	34	Record	DS-50	6	S	RW			
	Simulate Status					Unsigned8	1	S	RW	0X80		
	Simulate Value					Float	4	S	RW	0		
	Simulate Enable/Disable					Unsigned8	1	S	RW	0	0 = Disabled Not 0 = Enabled	
OUT_UNIT_TEXT	Output Unit Text	2	51	35	Simple	OctetString	16	S	RW	Spaces		

Object Name	Description	Slot	Slot Index	Relative Index	Object Type	Data Type	Bytes	Store	Access	Default	Valid Range	Note
TB82TE Specific Analog Input Block Parameters												
TREND_VAR	AI OUT Trend	2	61	45	Record	Device Specific	97					
	Block Index					Unsigned16	2	S	RW	4	4 = AI2 Block	
	Parameter relative index					Unsigned16	2	S	RW	26	26 = AI OUT parameter	
	Sample type					Unsigned8	1	S	RW	0	0=Not initialized (Trend Disabled) 1=Instantaneous value	
	Sample interval (in milliseconds)					Float	4	S	RW	0		
	Last update (time of last trend value update relative to device startup)					DS-21	8	D	R			
	Sample value 1 to 16 (Sample value 1 = value of latest sample, sample value 16 = value of oldest sample)					Float	4x16	D	R			
	Sample status 1 to 16 (Sample status 1 = status of latest sample, sample status 16 = status of oldest sample)					Unsigned8	1x16	D	R			
VIEW_1	View 1	2	62	46	View_1	OctetString	18	N	R			N



Note.

- A) PRIMARY_VALUE_TYPE parameter establishes the type of measurement the device is performing. The default measurement type is Conductivity. When writing to this parameter (i.e., switching the device measurement type to Concentration), the AI Block linked to PV channel should be kept in OOS mode until all the necessary TB and AI variables are properly configured. If not, a modification to PRIMARY_VALUE_TYPE automatically switches the AI block mode to OOS. PV is the only available input for AI1. The PV_UNIT object determines the PV Engineering Unit.
- B) TEMP_AUTO_SOL selections are restricted by the CELL_CONSTANT that is configured. For 0.055 to 1.999 Cell Constants, all selections except for Pure H2O are available. For 0.003 to 0.054 Cell Constants, Standard KCl, TC Coefficient, Pure H2O and User Defined are available.
- C) TEMP_PURE_H2O selections are only available when TEMP_COMP_TYPE is set to Auto and Pure H2O is selected for TEMP_AUTO_SOL.
- D) TC_COEF parameter is only valid when TEMP_COMP_TYPE is set to Auto and TC Coefficient is selected for TEMP_AUTO_SOL.
- E) USRDEF_TC_CURVE parameters are only valid when TEMP_COMP_TYPE is set to Auto and User Defined is selected for TEMP_AUTO_SOL. Default values are in degrees Celsius and conductivity ratios.
- F) MANUAL_TEMP_SETPOINT or TEMP_CAL_POINT parameters are to set the temperature value for Manual Temperature Compensation (i.e., when TEMP_COMP_TYPE is set to MANUAL).
- G) AI OUT variable can only be written when the AI is set to the Manual Mode.
- H) AI OUT_SCALE parameters:
 - 1) The OUT_SCALE parameters of the AI use the values established by the PV_SCALE.
 - 2) When the AI channel is set to the PV (Primary Variable), the OUT_SCALE and PV_SCALE parameters of AI1 are set to the corresponding TB_RANGE_1.
 - 3) When the AI2 channel is set to the SECONDARY_VALUE_1 (Temperature), the OUT_SCALE and PV_SCALE parameters of the AI are set to the default measurement temperature limits of -20 to 300°C (-4 to 572°F).
 - 4) When the AI2 channel is set to the SECONDARY_VALUE_2, the OUT_SCALE and PV_SCALE parameters are dependent on the PRIMARY_VALUE_TYPE in the TB (Concentration when PRIMARY_VALUE_TYPE = Conductivity or Conductivity when PRIMARY_VALUE_TYPE = Concentration).
 - 5) When the AI channel is set to the SECONDARY_VALUE_3 (Uncompensated Conductivity), the OUT_SCALE and PV_SCALE parameters of the AI are set to the default measurement limits of 0 to ten times the maximum conductivity range for the entered Cell Constant. These values are shown in Table 8.
- I) AI HI_HI_LIM, HI_LIM, LO_LO_LIM, and LO_LIM parameters:
 - 1) For AI1, the alarm limits are set to TB_RANGE_1.
 - 2) When the AI2 channel is set to the SECONDARY_VALUE_1 (Temperature), the limits are set to the default measurement temperature limits of -20 to 300°C (-4 to 572 °F).
 - 3) When the AI2 channel is set to the SECONDARY_VALUE_2, the limits are set to the default limits determined by the Conductivity sensor range.
 - 4) When the AI2 channel is set to the SECONDARY_VALUE_3, the limits are set to the default limits determined by the conductivity range for the entered Cell Constant. These values are shown in Table 8.
- L) Physical Block View_1 is comprised of ST_REV, MODE_BLK, ALARM_SUM, DIAGNOSIS, DEVICE_STATE and GLOBAL_STATUS objects.
- M) Transducer Block View_1 is comprised of ST_REV, MODE_BLK, ALARM_SUM, PV and ACTIVE_RANGE objects.
- N) Analog Input Block View_1 is comprised of ST_REV, MODE_BLK, ALARM_SUM and OUT objects.
- O) If the DEVICE_STATE is set to Maintenance by the user, the Transducer Block PV and SV status and Analog Input Block OUT status are marked as "Good-Maintenance required", provided the previous status was "Good".
- P) Alarm Summary - Current Octet 0: bit 0 = not used; bit 1 = HI_HI_Alarm; bit 2 = HI_Alarm; bit 3 = LO_LO_Alarm; bit 4 = LO_Alarm; bit 7 = Update Event.
- Q) Alarm Summary – Unreported, Unacknowledged, and Disabled are for future use.

TABLE 1**PRIMARY_VALUE_TYPE Codes**

113	Conductivity
117	Concentration

TABLE 2**Engineering unit codes related to PRIMARY_VALUE_TYPE**

1302	mS/cm for PRIMARY_VALUE_TYPE = 113 (Conductivity)
1552	µS/cm for PRIMARY_VALUE_TYPE = 113 (Conductivity)
1342	% for PRIMARY_VALUE_TYPE = 117 (Concentration)
1423	ppm for PRIMARY_VALUE_TYPE = 117 (Concentration)
1424	ppb for PRIMARY_VALUE_TYPE = 117 (Concentration)
1997	no units for PRIMARY_VALUE_TYPE = 117 (Concentration)

TABLE 3**Valid ranges for PRIMARY_VALUE_TYPE**

PRIMARY_VALUE_TYPE 113:

0 to 19990 µS/cm (CC 0.3 to 1.999)

0 to 1999 µS/cm (CC 0.055 to 0.299)

0 to 199.9 µS/cm (CC 0.003 to 0.054)

PRIMARY_VALUE_TYPE 117:

Concentration curve:

0 to 1999 units (Concentration Range 0)

0 to 199.9 units (Concentration Range 1)

0 to 19.99 units (Concentration Range 2)

0 to 1.999 units (Concentration Range 3)

TABLE 4**Temperature Unit Codes**

1001 Degrees Celsius

1002 Degrees Fahrenheit

TABLE 5**LCD Secondary display options**

0	Temperature in degree Celsius (Secondary variable 1)
1	Temperature in degree Fahrenheit (Secondary variable 1)
2	Sensor Type
3	Cell Constant
4	Conductivity (available when PRIMARY_VALUE_TYPE = Concentration)
5	Custom Concentration Display (available when PRIMARY_VALUE_TYPE = Concentration)
6	Uncompensated Conductivity
7	Software Revision

TABLE 6**FSAFE_TYPE options**

- 1 FSAFE_VALUE is used as OUT value (Status = Uncertain + Substitute value).
- 2 Use of stored last valid OUT value (Status = Uncertain + Last usable value; If there is no valid value available, Status = Uncertain + Initial value).
- 3 OUT has the wrong calculated value (Status = Bad + any actual sub-status).

TABLE 7**AIFB Engineering unit codes**

AI CHANNEL = PRIMARY_VALUE (Channel 1)

1302 mS/cm for PRIMARY_VALUE_TYPE = 113
(Conductivity)1552 µS/cm for PRIMARY_VALUE_TYPE = 113
(Conductivity)1342 % for PRIMARY_VALUE_TYPE = 117
(Concentration)1423 ppm for PRIMARY_VALUE_TYPE = 117
(Concentration)1424 ppb for PRIMARY_VALUE_TYPE = 117
(Concentration)1997 no units for PRIMARY_VALUE_TYPE = 117
(Concentration)AI CHANNEL = Temperature (Channel 2;
SECONDARY_VALUE_1)

1001 Degree Celsius

1002 Degree Fahrenheit

AI CHANNEL = Conductivity/Concentration (Channel
3; SECONDARY_VALUE_2)1301 mS/cm when SECONDARY_VALUE_2 =
Conductivity; PRIMARY_VALUE_TYPE =
Concentration1552 µS/cm when SECONDARY_VALUE_2 =
Conductivity; PRIMARY_VALUE_TYPE =
Concentration1342 % when SECONDARY_VALUE_2 =
Concentration; PRIMARY_VALUE_TYPE =
Conductivity1423 ppm when SECONDARY_VALUE_2 =
Concentration; PRIMARY_VALUE_TYPE =
Conductivity1424 ppb when SECONDARY_VALUE_2 =
Concentration; PRIMARY_VALUE_TYPE =
Conductivity1997 no units when SECONDARY_VALUE_2 =
Concentration; PRIMARY_VALUE_TYPE =
ConductivityAI CHANNEL = Uncompensated Conductivity
(Channel 4; SECONDARY_VALUE_3)

1302 mS/cm

1552 µS/cm

TABLE 8
Uncompensated Conductivity
(SECONDARY_VALUE_3) ranges
0 to 199900 $\mu\text{S}/\text{cm}$ (Cell constant 0.3 to 1.999)
0 to 19990 $\mu\text{S}/\text{cm}$ (Cell constant 0.055 to 0.299)
0 to 1999 $\mu\text{S}/\text{cm}$ (Cell constant 0.003 to 0.054)

The following figure shows the possible connections that can be made between the Transducer Block outputs and the two AI's.

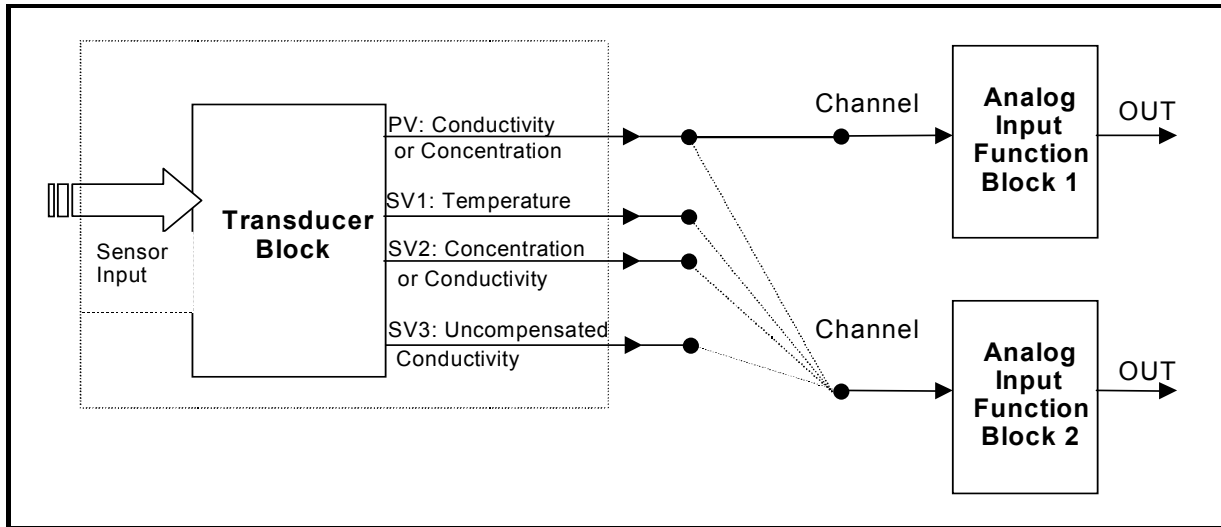


Figure 33 - Possible Connections Between the TB and AI's

The table below gives a summary of the relation between the selected measurement and available variables/channels that can be used as an input for the Analog Input Function Blocks.

	TYPE OF MEASURE (TB_PRIMARY_VALUE_TYPE)	
	Conductivity	Concentration
Channel 1 (AI1 and AI2) (TB PV)	Conductivity Value	Concentration Value
Channel 2 (AI2 Only) (TB SECONDARY_VALUE_1)	Temperature	Temperature
Channel 3 (AI2 Only) (TB SECONDARY_VALUE_2)	Concentration Value	Conductivity Value
Channel 4 (AI2 Only) (TB SECONDARY_VALUE_3)	Uncompensated Conductivity	Uncompensated Conductivity

Cyclical Configuration Data

For maximum configuration (i.e., both AI blocks are in use), the cyclic data structure of TB82 PROFIBUS PA devices would be:

Data index	Data	Access	Data format
0,1,2,3	AI1 OUT value	Read	32-bit floating point number (IEEE-754) in the configured AI1 block OUT_SCALE units.
4	AI1 OUT status	Read	Standard PROFIBUS PA status
5,6,7,8	AI2 OUT value	Read	32-bit floating point number (IEEE-754) in the configured AI2 block OUT_SCALE units.
9	AI2 OUT status	Read	Standard PROFIBUS PA status

The AI1 and AI2 OUT value is selected using the respective AI block CHANNEL parameter.

TB82 PA configuration data includes:

Cyclic data block	Sequence in Chk_Cfg	Configuration for Data block active (h=hexadecimal number)	Configuration for Data block inactive (h=hexadecimal number)
AI1 OUT parameter	1	42h, 84h, 81h, 81h	00h
AI2 OUT parameter	2	42h, 84h, 81h, 81h	00h

Possible combinations of configuration would be:

Activated data blocks	Configuration data string (Chk_Cfg)	Length of configuration
AI1 OUT value and status + AI2 OUT value and status	42h, 84h, 81h, 81h, 42h, 84h, 81h, 81h	8 bytes
AI1 OUT value and status	42h, 84h, 81h, 81h, (00h) ¹	4 or 5 bytes
AI2 OUT value and status	00h ¹ , 42h, 84h, 81h, 81h	5 bytes

The above combinations are included in the GSD file and DTM.

¹ A zero as a placeholder in the configuration string should identify data blocks that are not activated. Zeroes at the end of the configuration string are optional and can be omitted.

HARDWARE DIP SWITCH FUNCTIONS

There are four switches on the Microprocessor/Display PCB Assembly that perform unique transmitter functions. The figure below shows the location and function of these switches.

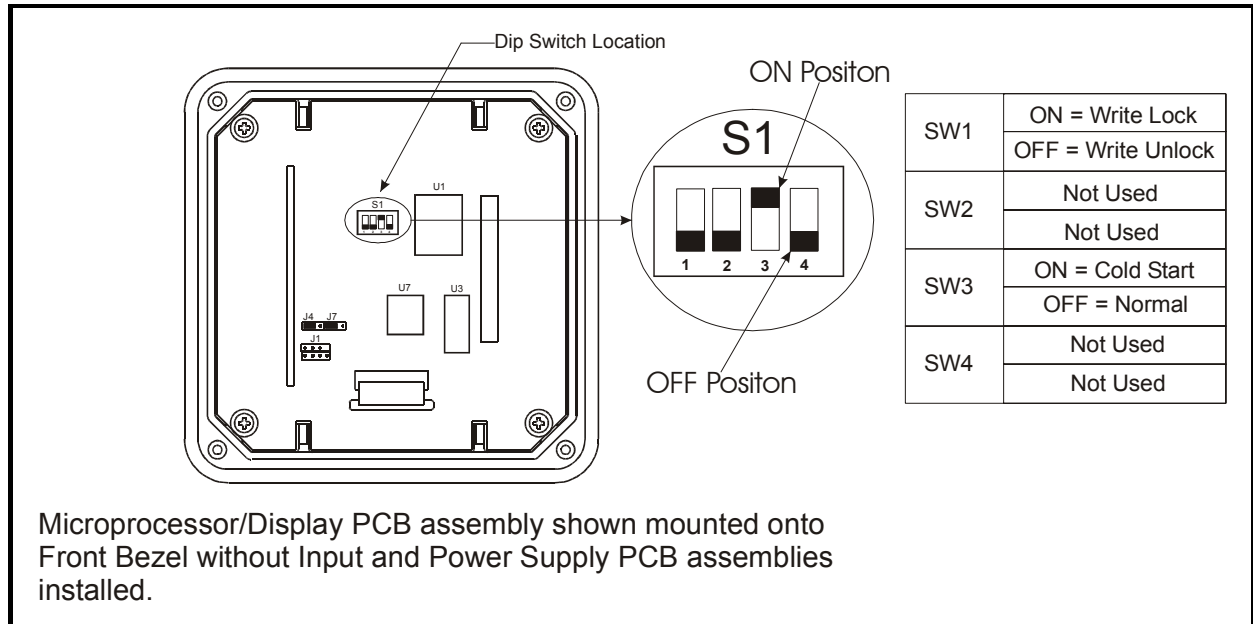


Figure 34 – Hardware Dip Switch Location and Function

Switch number 1 is the Write Lock. When this switch is in the ON position and the HD_WRITE_PROTECTION is enabled in the Physical Block, the transmitter prevents any modification of data or parameters that can be performed both locally and from a class 1 or 2 MASTER device.

Switch number 2 is not used and has been reserved for future use.

Switch number 3 is used for Cold Startup. When this switch is in the ON position before powering up the transmitter, most transmitter parameters are set to default values (See Device Blocks for default settings). These default parameters are found in all support blocks.

Switch number 4 is not used and has been reserved for future use.



Note.

A Cold Startup will adjust several parameters to a defined default value. Cold Startup may be used to reset the initial operating condition of the transmitter. When the Cold Start switch is in the ON position on transmitter power up, critical transmitter parameters will be reset to default values. The SW3 switch must be in the OFF position to ensure user configured data is not overwritten on transmitter power up.

SIMPLE FAULT FINDING

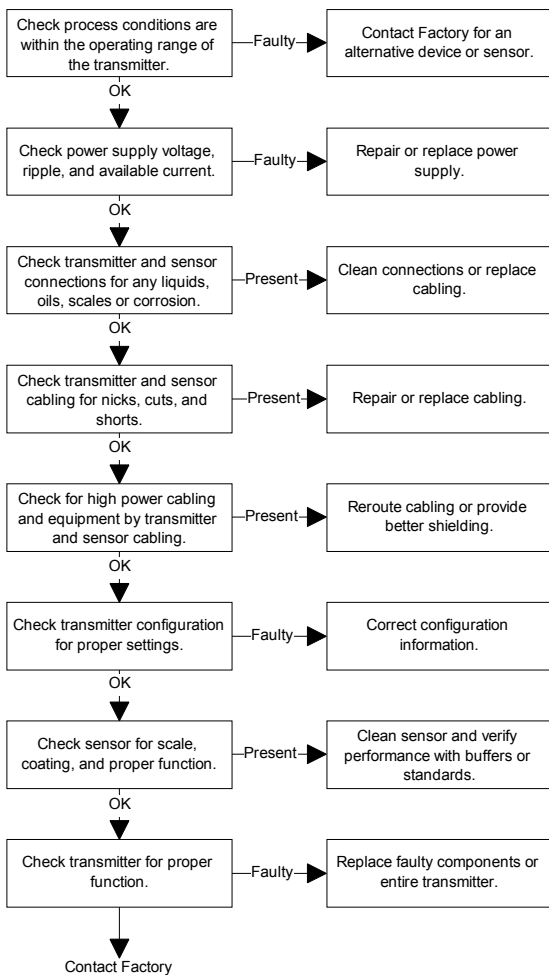
If the transmitter does not appear to be working satisfactory, carry out the following troubleshooting checks before contacting your nearest Service Center or Factory Representative.

If the instrument is to be returned for repair, ensure that it is adequately packed using the original packing material and box or using high-density chip foam. **The Return Materials Authorization (RMA) number must be sent with the instrument. Equipment returned to ABB Inc. with incorrect or incomplete information may result in significant delays or non-acceptance of the shipment.** At the time the RMA number is given, an estimate of the repair costs will be provided, and a customer purchase order will be requested. **The RMA and purchase order numbers must be clearly marked on all paperwork and on the outside of the return package container (i.e., packing box).**

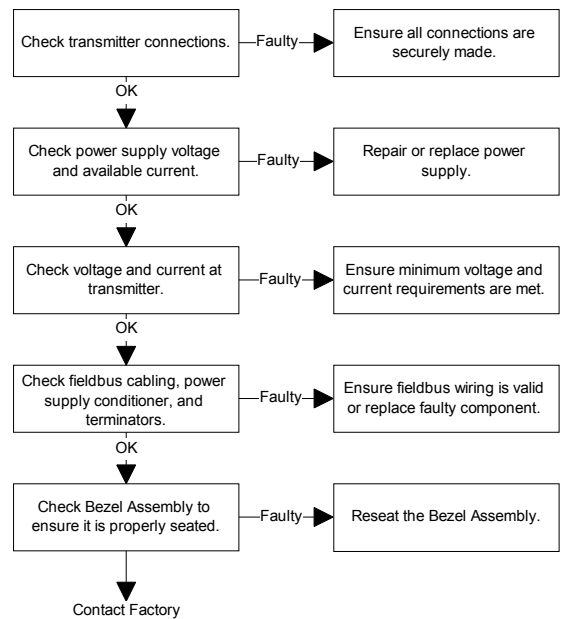
Equipment needed:

PROFIBUS configuration software or communication Host/System

High, Low or Irregular Process Variables



No Output



Since the transmitter has an integral display, diagnostic codes are shown in the secondary display region when interrogated using the FAULT Info key. In addition, the transmitter status is available through most configuration or system/host tools.

DIAGNOSTIC INFORMATION

The TB82TE PROFIBUS PA transmitter performs a number of diagnostic checks on hardware, software, and sensor functions. If a nonconforming condition is detected, the user is alerted to faults locally by a flashing FAULT indicating icon and remotely by a configuration and/or system/host tool.

When using the local HMI, diagnostic faults are interrogated using the FAULT Info key while the transmitter is in the Measure Mode. A short text string and fault code is alternately shown in the secondary display region. If multiple faults exist, the FAULT Info key moves the user to the next fault. Once all faults have been interrogated, the transmitter returns to the Measure Mode. A flashing FAULT icon indicates a new fault condition that has not been interrogated. Conversely, a non-flashing FAULT icon

indicates all fault conditions have been interrogated but not resolved. When all fault conditions are resolved, the FAULT icon and FAULT Info key are de-energized.

Fault conditions are grouped into two categories based on severity. Conditions that result in degradation of transmitter performance are reported as Problem Codes (PC), while conditions that render the transmitter inoperable are reported as Error Codes (EC). Fault codes are reported in the secondary display region in a first in, first out order (i.e., the first detected fault condition is the first condition that is displayed upon interrogation). The table below lists all applicable Error and Problem codes and the suggested Corrective Actions. See Text Prompt Definitions for fault code description.

Fault Code	Fault Text String	Corrective Action
EC1	PV.AD	Contact Factory.
EC3	PH.PCB	Incorrect Input PCB assembly has been detected. pH/ORP/pION Input PCB Assembly is being used with TB82TE product firmware.
EC4	TC.PCB	Incorrect Input PCB assembly has been detected. Toroidal Conductivity Input PCB Assembly is being used with TB82TE product firmware.
EC5	DO.PCB	Incorrect Input PCB assembly has been detected. Dissolved Oxygen Input PCB Assembly is being used with TB82TE product firmware.
EC7	EC.PCB	Incorrect Input PCB assembly has been detected. Four-Electrode Conductivity Input PCB Assembly is being used with TB82TE product firmware.
PC1	POLAR	<ol style="list-style-type: none"> 1) Verify process conditions, specifically conductivity levels, are within values identified in the Specifications section. 2) Verify sensor does not have any trapped air bubbles within the sensing cavity (i.e., near the center sensing electrode). Trapped air reduces sensor surface area and will affect the accuracy of the displayed conductivity and output current. 3) Verify sensor wiring is properly connected. 4) Verify sensor wiring is free of nicks, cuts, breaks and/or open connections. 5) Verify sensor wiring is not shorted to other wiring or metal surfaces. 6) Verify terminal blocks and other connections are free of any liquids, oils, scale or corrosion. 7) If a sensor extension cable is being used, verify ABB approved cabling is used and the connections are dry and free of corrosion. 8) Verify sensor tip is clean. Remove any foreign material. Clean sensor. Verify sensor responds to conductivity standard solutions. If sensor does not respond, electronically test sensor as described Sensor Electronic Test section. 9) Verify configuration settings are correct..
PC8	HI.PV	<ol style="list-style-type: none"> 1) Verify process conditions are within transmitter range values. 2) Verify sensor wiring is properly connected. 3) Verify sensor wiring is free of nicks, cuts, breaks and/or open connections. 4) Verify configuration settings are correct. 5) Verify manual or measured temperature value is correct. If a temperature sensor is not being used, verify that TMP.SNS is set to none in the transmitter configuration.
PC9	LO.PV	See PC8 corrective actions.
PC10	HI.TEMP	See PC8 corrective actions.
PC11	LO.TEMP	See PC8 corrective actions.

Fault Code	Fault Text String	Corrective Action
PC12	TEMP.AD	See PC8 corrective actions. If all items check out properly, replace Input PCB Assembly. Transmitter can be used with the faulty PCB Assembly; however, the Temperature Compensation must be set to Manual and a Temperature Calibration should be conducted in order to set the Manual Temperature Value close to the operating conditions.
PC20	BAD.SEE	Contact Factory.
PC21	NO.F.CAL	
PC30	R0.F.CAL	
PC31	R1.F.CAL	
PC32	R2.F.CAL	
PC33	R3.F.CAL	
PC34	R4.F.CAL	
PC35	G0.F.CAL	
PC36	G1.F.CAL	
PC37	G2.F.CAL	
PC38	G3.F.CAL	
PC39	G4.F.CAL	
PC45	BA.F.CAL	
PC46	PT.F.CAL	
PC48	PK.F.CAL	
PC50	R0.CHKS	
PC51	R1.CHKS	
PC52	R2.CHKS	
PC53	R3.CHKS	
PC54	R4.CHKS	
PC55	G0.CHKS	
PC56	G1.CHKS	
PC57	G2.CHKS	
PC58	G3.CHKS	
PC59	G4.CHKS	
PC65	BA.CHKS	
PC66	PT.CHKS	
PC68	PK.CHKS	
PC70	GL.AD	

Calibration Diagnostic Messages

The transmitter performs automatic efficiency and offset calculations relative to a theoretically perfect conductivity and/or temperature sensor during each calibration cycle. Calibration history is retained for future interrogation using the Edit Calibrate State. The calibration constants that are displayed are Slope and Offset for the Process Variable and Temperature.

A Slope of less than 0.2 or greater than 5 indicates a potentially bad process calibration point or poorly performing sensor. In these cases, the text string BAD.CAL (bad calibration) is displayed in the secondary display region. The user is returned to the beginning of the calibration cycle after the bad calibration has been reported.

An Offset value of less than -20 $\mu\text{S}/\text{cm}$ for a nominal sensor cell constant of 1.00, -4 $\mu\text{S}/\text{cm}$ for a nominal

sensor cell constant of 0.10, and -0.800 $\mu\text{S}/\text{cm}$ for a nominal sensor cell constant of 0.10 or greater than 20 $\mu\text{S}/\text{cm}$ for a nominal sensor cell constant of 1.00, 4 $\mu\text{S}/\text{cm}$ for a nominal sensor cell constant of 0.10, and 0.800 $\mu\text{S}/\text{cm}$ for a nominal sensor cell constant of 0.01 also indicates a potentially bad process calibration or poorly performing sensor. Again, a bad calibration will be reported, and the user returned to the beginning of the calibration cycle.

For temperature, a bad calibration will be reported and calibration values will not be accepted for Slope values that are less than 0.2 or greater than 1.5 and Offset values that are less than -40°C or greater than $+40^{\circ}\text{C}$. As with conductivity, temperature calibrations use smart software routines that automatically adjust the Slope, Offset, or both values based on the calibration value being entered and calibration history if it exists.

Additional Diagnostic Messages

Other diagnostic messages may appear during transmitter programming. These messages include BAD.VAL (bad value) and DENIED.

BAD.VAL indicates the attempted numeric entry of a value that is out of the allowed transmitter range. See the Specification Section for transmitter range limits.

DENIED indicates incorrect entry of a security password. See the Security Mode section for more information.

SENSOR TROUBLESHOOTING

If the sensor is suspected of being the source of problems, a quick visual inspection in many cases will identify the problem. If nothing can be seen, a few electrical tests using a digital multimeter can be performed to determine if the sensor is faulty. Some of these tests can be performed with the sensor either in or out of the process stream.

Visual Sensor Inspection

Remove the sensor from the process and visually check the following:

Sensor body

Inspect the sensor body for cracks and distortions. If any are found, contact your local ABB representative for alternative sensor styles and materials.

Cable and connectors

Inspect the sensor cable for cracks, cuts, or shorts. If a junction box and/or extension cable are used, check for moisture, oil, corrosion, and/or particulates where connections are made. All connections must be dry, oil-free, corrosion-free, and particulate-free. Even slight amounts of moisture, corrosion, and particulates can short sensor signals and affect conductivity readings. Check to see that all wiring is dry and not shorting against any metal, conduit, or earth grounds.

O-ring seals

Inspect the sealing O-rings for attack by the process liquid. If the O-rings show evidence of corrosion, distortion, or deterioration, contact your local ABB representative for alternate material choices.

Sensor Electronic Test

Conductivity sensors can be electronically tested to verify the integrity of the sensor and cable. The sensor and automatic temperature compensator leads must be disconnected from the transmitter before any tests can be performed. Additionally, these tests require a Digital Multimeter (DMM) that has a conductance function capable of 0 to 200 nS and a resistance function capable of 0 to 20 kohms.

The temperature sensor can be tested with the sensor in the process and is tested using the following procedure:

1. Check the resistance of the Temperature Sensor by measuring the resistance between the yellow and blue Temperature Compensator leads.

For a 3 kohm Balco RTD, the expected resistance can be calculated using:

$$R_{TC} = (((T - 25) * 0.0045) + 1) * 3000$$

where T is in degrees Celsius. The measured resistance should be within the expected value by $\pm 15\%$.

For a Pt100 RTD, the expected resistance can be calculated using:

$$R_{TC} = 100 + (T * 0.385)$$

where T is in degrees Celsius. The measured resistance should be within the expected value by $\pm 5\%$.

For a Pt1000 RTD, the expected resistance can be calculated using:

$$R_{TC} = 1000 + (T * 3.85)$$

where T is in degrees Celsius. The measured resistance should be within the expected value by $\pm 5\%$.

Moisture intrusion behind the sensor electrode seal can be detected with the sensor removed from the process. Thoroughly dry and tested the sensor using the following procedure:

1. Check the conductance between the yellow Temperature Sensor lead and each of the other sensor leads (i.e., green, black, and heavy green leads). The reading must be less than 0.05 nS.

2. Check the conductance between the green Drive lead and each of the other sensor leads (i.e., black and heavy green leads). The reading must be less than 0.05 nS.

3. Check the conductance between the heavy green lead (Shield) and each of the other sensor leads (i.e.,

blue, yellow, black, and green leads). The reading must be less than 0.05 nS.

Transmitter Electronic Test

The TB82TE PROFIBUS PA Transmitter can be electronically tested without requiring the use of a sensor. To perform this type of test, use the following procedure:

- 1) Disconnect the sensor from the transmitter.
- 2) Set the transmitter temperature compensation (TC.TYPE) to MANUAL.
- 3) Connect the transmitter to a resistance decade box as shown in the figure below.

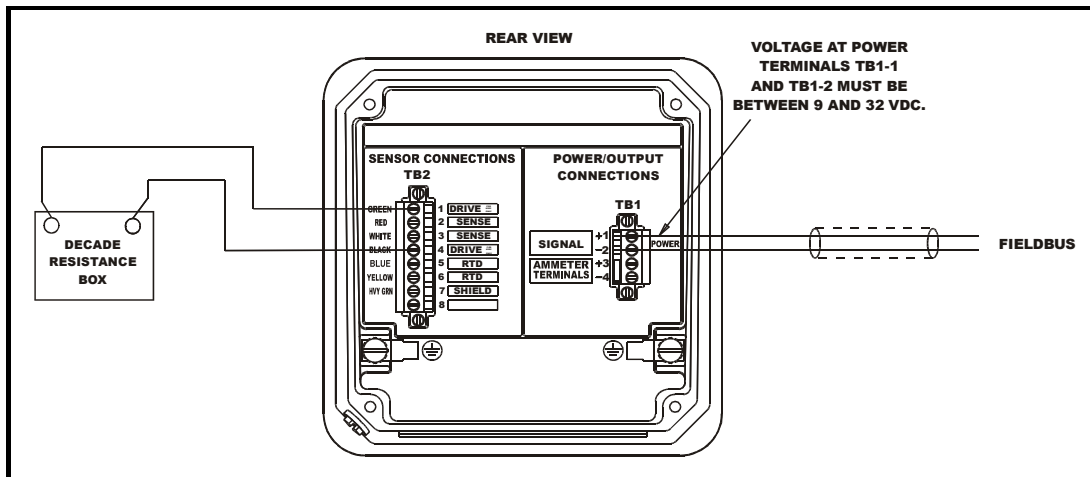


Figure 35 – Sensor Simulation Setup

- 4) Set the decade resistance box to the values indicated in the following table:

Nominal Cell Constant	Variable Resistance (ohm)	Desired Display Value	Actual Display Value
1.00	Open	0.0 μ S/cm	
	5,000.0	200.0 μ S/cm	
	1,000.0	1000 μ S/cm	
	500.0	2.00 mS/cm	
	100.0	10.00 mS/cm	
	50.0	19.99 mS/cm (OR)	
0.10	Open	0.00 μ S/cm	
	50,000	2.00 μ S/cm	
	5,000	20.00 μ S/cm	
	1,000	100.0 μ S/cm	
	500	200.0 μ S/cm	
	100	1000 μ S/cm	
	50	1999 μ S/cm (OR)	
0.01	Open	0.000 μ S/cm	
	100,000	0.100 μ S/cm	
	50,000	0.200 μ S/cm	
	5,000	2.000 μ S/cm	
	1,000	10.00 μ S/cm	
	500	20.0 μ S/cm	
	100	100.0 μ S/cm	
	50	199.9 μ S/cm (OR)	



Note.

1. The transmitter calibration values must be set back to factory values in order for the sensor simulation procedure to be valid.
2. Lead wire and contact resistance becomes a significant part of simulated conductivity for simulated resistance values less than 10 ohms. Measure all resistances going to the transmitter to ensure accurate results.
3. OR represents Over-Range.

DIAGNOSTIC INFORMATION RECEIVED FROM THE FIELDBUS

Dynamic variables and diagnostic information are continually passed onto the fieldbus during each device transmission. Most engineering tools and/or system/host workstations provide the ability to view such information. Dynamic variable status contains two components: data quality and sub-status. The following table briefly outlines the dynamic variable status.

Quality	Sub-status
Good (non-cascade)	1) OK. 2) Update event. 3) Block has active advisory alarm (priority < 8). 4) Block has active critical alarm (priority > or = 8). 5) Block has unacknowledged update event. 6) Unacknowledged advisory alarm. 7) Unacknowledged critical alarm. 8) Initiate fail safe. 9) Maintenance required.
Uncertain	1) Nonspecific. 2) Last usable value. 3) Substitute set. 4) Initial value. 5) Sensor conversion not accurate. 6) EU range violation. 7) Sub-normal. 8) Configuration error. 9) Simulated value. 10) Sensor Calibration.
Bad	1) Nonspecific. 2) Configuration error. 3) Not connected. 4) Device failure. 5) Sensor failure. 6) No communication, with last usable value. 7) No communication, with no last usable value. 8) Block Out of Service.

In addition to the dynamic variable status, Physical Block Diagnosis and Global Status provide information on the condition of hardware or software components that are associated with and/or directly impact the correct operation of the transmitter. The following table lists the possible diagnostic information:

Physical Block Diagnosis		Physical Block Global Status
Object	Problem Description	
1) DIA_HW_ELECTR	1) Hardware Electronic Failure	1) Failure
2) DIA_HW_MECH	2) Hardware Mechanical Failure	2) Maintenance Request
3) DIA_MEM_CHKSUM	3) Memory Error	3) Limits
4) DIA_MEASUREMENT	4) Measurement Failure	
5) DIA_CONF_INVALID	5) Invalid Configuration	
6) DIA_WARMSTART	6) Initiated a Warmstart	
7) DIA_COLDSTART	7) Initiated a Coldstart	
8) DIA_MAINTAINANCE	8) Maintenance Required	
9) IDENT_NUMBER	9) ID Violation	
10) EXTENSION_AVAILABLE	10) Additional Diagnostics Available	
11) Calibration Error	11) Calibration Error (Device Specific)	

Transmitter diagnostic conditions (i.e., Problem and Error Codes) are displayed as Extended Status information. Since these conditions have an impact on the Dynamic Variable quality and Block parameters, each diagnostic condition has been mapped as follows:

Problem/Error Code and Text Prompt		Problem & Error Description	PV Status	SV1 Status	SV2 Status	SV3 Status	PB Diagnosis	PB Global Status
Code	Text							
EC1	PV.AD	Process Variable Over/Under Range	Bad (Device failure)	N/A	Bad (Device failure)	Bad (Device failure)	Hardware Electronic Failure, Measurement Failure, Maintenance Required	Failure
EC3	xx.PCB	Incorrect Input Board	Bad (Device Failure)	Bad (Device Failure)	Bad (Device Failure)	Bad (Device Failure)	Hardware Electronic Failure, Measurement Failure, Maintenance Required	Failure
EC4								
EC5								
EC7								
PC1	POLAR	Polarized sensor detected	Uncertain (Sensor Conversion Not-Accurate)	N/A	Uncertain (Sensor Conversion Not-Accurate)	Uncertain (Sensor Conversion Not-Accurate)	Maintenance Required	Maintenance Request
PC8	HI.PV	PV above/below transmitter range.	Uncertain (EU Range Violation)	N/A	N/A	N/A	Hardware Mechanical Failure, Maintenance Required	Maintenance Request, Limits
PC9	LO.PV							
PC10	HI.TEMP	Temperature above/below transmitter range.	Uncertain (Sensor Conversion Not Accurate)	Uncertain (EU Range Violation)	Uncertain (Sensor Conversion Not Accurate)	N/A	Hardware Mechanical Failure, Invalid Configuration, Maintenance Required	Maintenance Request, Limits
PC11	LO.TEMP							
PC12	TEMP.AD	Open, missing or shorted temperature sensor.	Uncertain (Sensor Conversion Not Accurate)	Bad (Sensor Failure)	Uncertain (Sensor Conversion Not Accurate)	N/A	Invalid Configuration, Maintenance Required	Maintenance Request
PC20	BAD.SEE	Bad SEEPROM or bad input PCB assembly	Uncertain (Sensor Conversion Not Accurate)	Uncertain (Sensor Conversion Not Accurate)	Uncertain (Sensor Conversion Not Accurate)	Uncertain (Sensor Conversion Not Accurate)	Memory Error	Maintenance Request
PC21	NO.F.CAL	Missing factory calibration	Uncertain (Sensor Conversion Not Accurate)	Uncertain (Sensor Conversion Not Accurate)	Uncertain (Sensor Conversion Not Accurate)	Uncertain (Sensor Conversion Not Accurate)	Memory Error	Maintenance Request
PC30 To PC39	xx.F.CAL	SEE PV factory calibration errors	Uncertain (Sensor Conversion Not Accurate)	N/A	Uncertain (Sensor Conversion Not Accurate)	Uncertain (Sensor Conversion Not Accurate)	Memory Error	Maintenance Request
PC45	xx.F.CAL	SEE Temperature factory calibration errors	N/A	Uncertain (Sensor Conversion Not Accurate)	N/A	N/A	Memory Error	Maintenance Request
PC46								
PC48								
PC50 To PC59	xx.CHKS	SEE PV checksum errors	Uncertain (Sensor Conversion Not Accurate)	N/A	Uncertain (Sensor Conversion Not Accurate)	Uncertain (Sensor Conversion Not Accurate)	Memory Error	Maintenance Request

Problem/Error Code and Text Prompt		Problem & Error Description	PV Status	SV1 Status	SV2 Status	SV3 Status	PB Diagnosis	PB Global Status
Code	Text							
PC65	xx.CHKS	SEE Temperature checksum errors	N/A	Uncertain (Sensor Conversion Not Accurate)	N/A	N/A	Memory Error	Maintenance Request
PC66								
PC68								
PC70	GL.AD	Ground Loop signal above/below transmitter A/D range.	Uncertain (Sub-normal)	N/A	Uncertain (Sub-normal)	Uncertain (Sub-normal)	Maintenance Required	Maintenance Request

PV represents Primary Value and SV represents Secondary Value.

Alarm Summary

Whenever an alarm is enabled and the alarm condition occurs, the relevant bit in the ALARM_SUM object of the corresponding block is set.

Alarm Type	Description
HI_HI_Alarm	Supported by AI. Indicated when the OUT value goes above the HI_HI_LIM value and cleared when the OUT value drops back down below the HI_HI_LIM minus ALARM_HYS values.
HI_Alarm	Supported by AI. Indicated when the OUT value goes above the HI_LIM value and cleared when the OUT value drops back down below the HI_LIM minus ALARM_HYS values.
LO_LO_Alarm	Supported by AI. Indicated when the OUT value goes below the LO_LO_LIM value and cleared when the OUT value rises back over the LO_LO_LIM plus ALARM_HYS values.
LO_Alarm	Supported by AI. Indicated when the OUT value goes below the LO_LIM value and cleared when the OUT value rises back over the LO_LIM plus ALARM_HYS values.
Update Event	Supported by PB, TB and AI. Indicated when a static revision increment occurs in the block due to modification of a static parameter.

Limit alarm bits are set to 1 or 0. A '1' represents an active alarm and a '0' represents an inactive alarm in the ALARM_SUM object.

DISMANTLING AND REASSEMBLY



Warning.

Substitution of any components other than those assemblies listed in this section will compromise the certification listed on the transmitter nameplate. Invalidating the certifications can lead to unsafe conditions that can injure personnel and damage equipment.



Caution.

Dismantling and reassembly should not be carried out on site because of the risk of damage to components and printed circuits as a result of adverse environmental conditions such as humidity, dust, etc. The dismantling and reassembly procedures given below should be carried out in the listed order to avoid instrument damage.

- Remove Power Supply and/or Input PCB Assemblies by unscrewing the two Phillips screws and unplug the assemblies from their connectors.
- Remove Microprocessor/Display PCB Assembly by unscrewing the four Phillips screws and unplug the keypad cable by lifting the locking arms on the side of the connector and remove the cable from the connector.
- Remove the cable hubs by screwing the retaining nut and removing the hub from the Shell Assembly.

Reassembly

Check that the gaskets are not damaged and have a thin layer of silicone grease. If the gaskets are damaged, replace gaskets.

- Install the Microprocessor/Display by securing the assembly with the four Phillips screws and installing the keypad cable into the connector and locking it into place by pushing down the two locking arms on the side of the connector.
- Install the Power Supply and/or Input PCB Assemblies into their respective connector and secure the assemblies with the two Phillips screws per assembly.
- Attach cable hubs by installing the gaskets onto the hubs and insert the hubs into the ports in the Shell assembly. Secure the hubs by tightening the nut onto the hub threads.
- Install the Front Bezel and/or Rear Cover Assemblies and secure by tightening the four captive screws per assembly using a bladed screwdriver.

Required tools

Medium flat-bladed screwdriver
Small Phillips screwdriver

Dismantling

- Use the bladed screwdriver to loosen the four captive screws that secure the Front Bezel and/or Rear Cover Assemblies (depending on which component is being replaced) and remove the cover(s).

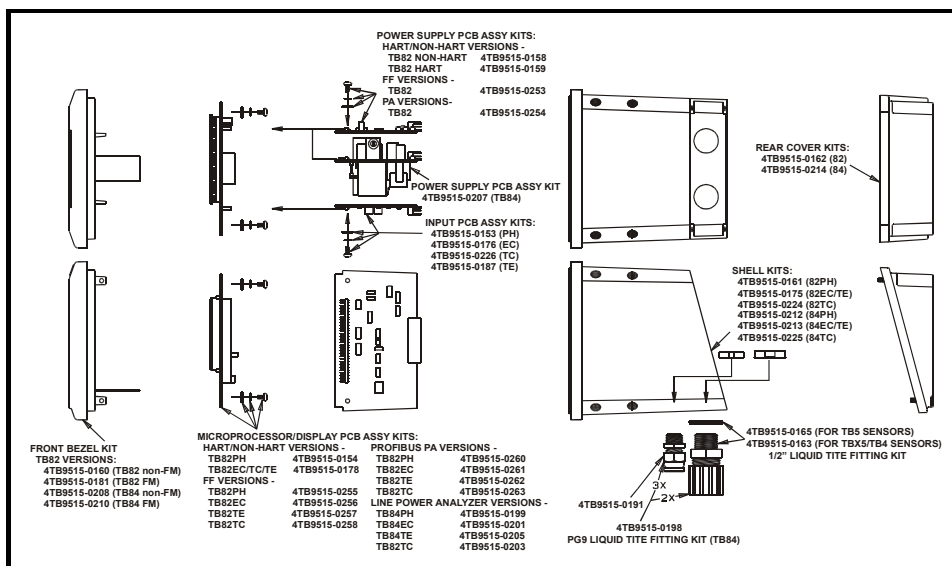


Figure 36 - TB82TE PA Transmitter Exploded View

SPECIFICATIONS

Property	Characteristic/Value
Process Display Range Conductivity Concentration	0.000 $\mu\text{S/cm}$ to 19.99 mS/cm (Temperature Compensated) 0.000 to 1999 Digits (EU Configurable)
Temperature Display Range	-20° to 300°C (-4° to 572°F).
Sensor Full Scale Measurement Ranges	Cell Constant 1.0 cm^{-1} - 0 to 19.99 mS/cm Cell Constant 0.1 cm^{-1} - 0 to 1999 $\mu\text{S/cm}$ Cell Constant 0.01 cm^{-1} - 0 to 199.9 $\mu\text{S/cm}$
Resolution, Display Conductivity Concentration Temperature	Cell Constant 1.0 cm^{-1} : 0.1 $\mu\text{S/cm}$ Cell Constant 0.1 cm^{-1} : 0.01 $\mu\text{S/cm}$ Cell Constant 0.01 cm^{-1} : 0.001 $\mu\text{S/cm}$ 0.001 Digits (Configuration Dependent) 1°C, 1°F.
Accuracy, Display Conductivity Temperature	$\pm 1.0\%$ Measurement Decade 1°C
Nonlinearity, Display Conductivity Temperature	$\pm 1.0\%$ Measurement Decade 1°C
Repeatability, Display Conductivity Temperature	$\pm 1.0\%$ Measurement Decade 1°C
Stability, Display Conductivity Temperature	± 2 LSD Typical; 5 LSD Maximum 1°C
Temperature Compensation	Manual (0.1N KCl based) Automatic - Configurable as: Standard (0.1N KCl based) Coefficient (0 to 9.99%/°C adjustable) Pure Water - Neutral Salt Pure Water - Acid Pure Water - Base User Defined
Input Types Conductivity/ Concentration Temperature	ABB Two-Electrode Conductivity Sensors ABB Two-Electrode Conductivity Sensors 3 kohm Balco, Pt100, Pt1000
Dynamic Response	3 sec. for 90% step change at 0.00 sec. damping.
Ambient Temperature Effect Conductivity	$\pm 0.015\%/^{\circ}\text{C}$ FS @ 95% Relative Humidity $\pm 0.05\%/^{\circ}\text{C}$ Displayed Value @ 95% Relative Humidity
Minimum Span Conductivity Concentration Temperature	Cell Constant 1.0 cm^{-1} : 100 $\mu\text{S/cm}$ Cell Constant 0.1 cm^{-1} : 10 $\mu\text{S/cm}$ Cell Constant 0.01 cm^{-1} : 1.000 $\mu\text{S/cm}$ 5% Maximum Concentration Range 10 °C
Maximum Span (full scale settings) Conductivity Concentration Temperature	Cell Constant 1.0 cm^{-1} : 1999 mS/cm Cell Constant 0.1 cm^{-1} : 1999 $\mu\text{S/cm}$ Cell Constant 0.01 cm^{-1} : 199.9 $\mu\text{S/cm}$ 1999 Digits 200 °C, 360 °F (0 to 200 °C, 32 to 392 °F)
Damping	Continuously adjustable from 0.0 to 99.9 seconds

Property	Characteristic/Value
Supply Voltage	9 to 32 Vdc (9 to 24 Vdc for agency certified IS applications) 15 mA quiescent current
Turn-On Time	4 seconds typical, 6 seconds maximum
Maximum Sensor Cable Length	100 ft (30.5 m)
Sensor Diagnostic	Polarization, PV/Temperature Over/Under Range, Slope and Offset Check
Diagnostic Notification Local HMI	FAULT icon indication.
Environmental Operating temperature LCD Range Storage temperature	-20° to 60°C (-4° to 140°F) -20° to 60°C (-4° to 140°F) -40° to 70°C (-40° to 158°F)
Mounting Effect	None
Enclosure Classification	NEMA 4X IP65
Size Height Minimum panel depth Maximum panel cutout Recommended panel cutout	144 mm high x 144 mm wide x 171 mm long (5.66 in. high x 5.66 in. wide x 6.70 in. long) 145 mm (5.70 in.) 136.7 mm x 136.7 mm (5.38 in. x 5.38 in.) 135 mm x 135 mm (5.33 in. x 5.33 in.)
Weight	4.2 lb (1.9 kg) without mounting hardware 7.5 lb (3.4 kg) with Pipe Mounting Hardware
EMC Requirements	CE certified: Electromagnetic Conformance - IEC61326-1: 2000 EN55011: 1991 (CISPR11: 1990) Class A EN61000-4-2: 1995 4 kV Contact 6 kV Indirect EN61000-4-3: 1997 10 V/m EN61000-4-4: 1995 1 kV EN61000-4-5: 1995 2kV Line to Earth 1kV Line to Line EN61000-4-6: 2001 3V EN61000-4-8: 1994 30A/m
Agency Approvals ² (pending) Factory Mutual (FM) Intrinsic Safety Nonincendive Canadian Standards Association (CSA) Intrinsic Safety Nonincendive ATEX 100A	 Class I, II, III; Division 1; applicable Groups A, B, C, D, E, F and G; T3C T _a =60° C when used with appropriate barriers per Drawing PXXXX. Class I, Division 2, Groups A, B, C, and D. T5 T _a =60° C Class II, Division 2, Groups F and G. Class III, Division 2. Class I, II, III; Division 1; applicable Groups A, B, C, D, E, F and G; T3C T _a =60° C when used with appropriate barriers per Drawing PXXXX. Class I, Division 2, Groups A, B, C, and D. Class II, Division 2, Groups E, F and G. Class III, Division 2. ATEX Category II 1G EEX ia, Zone 1; Group IIC, T4 when used with appropriate barriers.

² Hazardous location approvals for use in flammable atmospheres are for ambient conditions of -20 °C to 60 °C (-4 °F to 140 °F), 86 to 108 kPa (12.5 to 15.7 psi) with a maximum oxygen concentration of 21%.

GLOSSARY OF PROGRAMMING TEXT PROMPTS

TEXT STRING	DESCRIPTION
AAAAAA	Alphanumeric Entry.
ACID	Pure Water with trace Acid temperature compensation.
AI-.BLK	Analog Input Block where '-' is the block number.
AI-.OUT	Analog Input Output value where '-' is the block number.
ANALZR	Analyzer State.
AUTO	Automatic Temperature Compensation (Nernstian) or Automatic Block Mode Handling.
BAD.CAL	Bad Calibration - Entered values caused the calculated values to exceed maximum values.
BAD.VAL	Bad Value - Entered value exceeded maximum allowable value for the entered parameter.
BASE	Pure Water with trace Base temperature compensation.
CALIBR	Calibrate Mode.
CELL	Sensor Cell Constant.
CON.CAL	Conductivity or Concentration Calibration State.
CONCEN	Concentration Analyzer State.
COND	Conductivity Mode.
CONFIG	Configure Mode.
D.P.POS	Decimal Point Position.
DAMPNG	Damping of the displayed primary value on the transmitter's HMI.
DENIED	An incorrect security password has been entered.
DIAGS	Diagnostics State.
DISABL	Disable.
EDT.CAL	Edit Calibrate State.
ENABLE	Enable.
HARD.LK	Operation cannot be completed due to Hardware write protection.
HIGH.PV	High Process Variable Limit Value
ID. SEL	Device Profile Identification Select State
K1/K25	Conductivity at Temperature to the Temperature Compensated Conductivity at the reference temperature for Point #1. Points 2 through 6 are represented in the same manner.
LOW.PV	Low Process Variable Limit Value
MANUAL	Manual Temperature Compensation (Nernstian).
MODIFY	Modify Configure State.
NEUTRL	Neutral.
NEW.VAL	New Calibration Value - The PV or Temperature value expected during a One Point or Temperature Calibration.
NEW.VL.C	New Temperature Value in degrees Celsius.
NEW.VL.F	New Temperature Value in degrees Fahrenheit.
NO D.P.	No Decimal Point is desired.
NO.ICON	No Icon is desired in the primary display.
NONE	None.
OFFSET	Offset Value.
OOS	Out Of Service.
OUTPUT	Output Mode.
PA. ADR	PROFIBUS PA Address
PASSWD	Security Password.
PT 100	Pt100 Ohm RTD.
PT1000	Pt1000 Ohm RTD.
PUR.H2O	Pure Water.
PV.LIM	Process Variable Limits
PV OFF	Process Variable Offset Value for the installed sensor.
PV SLP	Process Variable Slope Value for the installed sensor.
RESET?	Query to Reset parameters to default values.
REV.A10	Software Revision A10.
RF.TMP.C	Reference Temperature in Celsius.

TEXT STRING	DESCRIPTION
RST.ALL	Reset All Parameters to Factory Settings.
RST.CAL	Reset Calibration Constant and Data to Factory Settings.
RST.CON	Reset Configurations to Factory Defaults.
RST.SEC	Reset Security - Remove any existing security.
RST.SFT	Software Reset - Initiate a reboot and self-test function.
SAVE?	Would you like to Save the Configuration?
SEC.DSP	Secondary Display Mode.
SECUR	Security Mode.
SER.NUM	Device Serial Number State
SLF.TST	Self Test.
SLOPE	Slope for the installed sensor (Process Variable or Temperature).
STABL?	Is the displayed Process Variable Stable?
STD.KCL	Standard KCl Temperature Compensation Option.
T.OFF°C	Temperature Offset in degrees Celsius.
T.OFF°F	Temperature Offset in degrees Fahrenheit.
TC.COEF	Temperature Compensation Coefficient.
TC.TYPE	Temperature Compensation Type State.
TB.PV.LO	Transducer Block Process Value Low Range Value.
TB.PV.HI	Transducer Block Process Value High Range Value.
TB.RNGE	Transducer Block Range Value State.
TC.TYPE	Temperature Compensation Type State
TMP	Temperature.
TMP1°C	Temperature independent variable (i.e., TMP Point) in degrees Celsius for break-point 1. Points 2 through 6 are represented in the same manner.
TMP.CAL	Temperature Calibration State.
TMP.SLP	Temperature Slope Value.
TMP.SNS	Temperature Sensor Type State.
TMP°C	Temperature in degrees Celsius.
TMP°F	Temperature in degrees Fahrenheit.
U.D.UNIT	User-defined Engineering Unit.
UNITS	Units.
USER	User State.
USR.DEF	User-defined.
VIEW	View Current Configuration.
WRT.ERR	Error saving data.
X1.COND	Conductivity independent variable (i.e., X Point) value for break point 1 in conductivity units. Points 2 through 6 are represented in the same manner.
Y1.CONC	Concentration dependent variable (i.e., Y Point) value for break point 1 in concentration units. Points 2 through 6 are represented in the same manner.

TB82TE WORKSHEET

Tag:	Date:
Analyzer Type:	
<input type="checkbox"/> CONDUCTIVITY CELL CONSTANT: _____	<input type="checkbox"/> CONCENTRATION CELL CONSTANT: _____ <input type="checkbox"/> User-defined: Engineering Units: _____ COND1:_____ CONC1:_____ COND2:_____ CONC2:_____ COND3:_____ CONC3:_____ COND4:_____ CONC4:_____ COND5:_____ CONC5:_____ COND6:_____ CONC6:_____
Temperature Sensor: <input type="checkbox"/> None <input type="checkbox"/> 3k Balco <input type="checkbox"/> Pt100 <input type="checkbox"/> Pt1000	
Temperature Compensation Type: <input type="checkbox"/> Manual <input type="checkbox"/> Auto: <input type="checkbox"/> Standard (0.1N KCl) <input type="checkbox"/> Coeff.: _____ <input type="checkbox"/> User-defined: T1:_____ K _{STD} /K ₁ :_____ T2:_____ K _{STD} /K ₂ :_____ T3:_____ K _{STD} /K ₃ :_____ T4:_____ K _{STD} /K ₄ :_____ T5:_____ K _{STD} /K ₅ :_____ T6:_____ K _{STD} /K ₆ :_____	
Diagnostics: <input type="checkbox"/> Enabled <input type="checkbox"/> Disabled	
Security: <input type="checkbox"/> Configure <input type="checkbox"/> Calibrate <input type="checkbox"/> Security	
Password: _____	

Factory Default Settings	
Software	Hardware
Analyzer Type: Sensor Cell Constant:	Microprocessor/Display PCB SW1 (Hardware Lockout): OFF, Disable Lockout SW2 (Not Used): OFF SW3 (Cold Start): OFF, Disable Cold Start SW4 (Not Used): OFF
Temperature Sensor Type:	
Temperature Compensation Type Reference Temperature:	
Sensor Diagnostics State:	
Conductivity 0.01	
Pt1000	
Manual 25°C	
Disable	

PRODUCTS & CUSTOMER SUPPORT

A Comprehensive Instrumentation Range

Analytical Instrumentation

- **Transmitters**
On-line pH, conductivity, and dissolved oxygen transmitters and associated sensing systems.
- **Sensors**
pH, redox, selective ion, conductivity and dissolved oxygen.
- **Laboratory Instrumentation**
pH and dissolved oxygen meters and associated sensors.
- **Water Analyzers**
For water quality monitoring in environmental, power generation and general industrial applications including:
pH, conductivity, ammonia, nitrate, phosphate, silica, sodium, chloride, fluoride, dissolved oxygen, hydrazine, and turbidity.
- **Gas Analyzers**
Zirconia, katharometers, hydrogen purity and purge-gas monitors, thermal conductivity.

Controllers & Recorders

- **Controllers**
Digital display, electronic, pneumatic. Discrete single-loop and multi-loop controllers which can be linked to a common display station, process computer or personal computer.
- **Recorders**
Circular and strip-chart types (single and multi-point) for temperature, pressure, flow and many other process measurements.

Electronic Transmitters

- **Smart & Analog Transmitters**
Draft, differential, gauge and absolute pressure measurement. Also, liquid level and temperature.
- **I to P Converters and Field Indicators**

Flow Metering

- **Magnetic Flowmeters**
Electromagnetic, insertion type probes and water meters.
- **Turbine Flowmeters**
- **Wedge Flow Elements**
- **Mass Flow Meters**
Transmitters, sensors, controllers and batch/display units.

Level Control

- **Submersible, Capacitance & Conductivity.**

Pneumatic Instrumentation

- **Transmitters**
- **Indicating Controllers**
- **Recording Controllers**

Customer Support

ABB Instrumentation provides a comprehensive after sales service via a Worldwide Service Organization. Contact one of the following offices for details on your nearest Service and Repair Center.

United States of America

ABB Inc.
9716 S. Virginia St., Suite E
Reno, Nevada 89511
USA
Tel: +1 (775) 850 4800
Fax: +1 (775) 850 4808

United Kingdom

ABB Ltd
Oldends Lane, Stonehouse
Gloucestershire, GL10 3TA
UK
Tel: +44 (0)1453 826661
Fax: +44 (0)1453 829671

Client Warranty

Prior to installation, the equipment referred to in this manual must be stored in a clean, dry environment, in accordance with the Company's published specification. Periodic checks must be made on the equipment's condition.

In the event of a failure under warranty, the following documentation must be provided as substantiation:

1. A listing evidencing process operation and alarm logs at time of failure.
2. Copies of operating and maintenance records relating to the alleged faulty unit.



TRUBLE SHEET

WARRANTY REPAIR REPAIR ORDER

Rejection or discrepancy reports

Copy attached Not available

● IDENTIFICATION

Customer: Address:	Telephone:	Fax:
-----------------------	------------	------

Purchase order No.

Plant

Name of person to contact

Instrument Nomenclature

Model

Serial Number

● OPERATING CONDITIONS

Specify location, environmental conditions, type of service and approximate number of operating hours or date of installation if known.

● REASON FOR RETURN

Trouble found during: Installation Commissioning Maintenance

At start up On service

Shipping information for the return of the equipment

Material returned for factory repair, should be sent to the nearest ABB Service Center, transportation charges prepaid by the Purchaser.

Please enclose this sheet duly completed to cover letter and packing list

Date Signature Originator

EC DECLARATION OF CONFORMITY

ABB Inc.
9716 S. Virginia St., Suite E
Reno, Nevada 89511
USA

We declare under our sole responsibility that the product:

TB82TE PROFIBUS PA Transmitter Series

is in conformity with the following standards:

Electromagnetic Conformance - IEC61326-1: 2000

EN55011: 1991 (CISPR11: 1990)	Class A
EN61000-4-2: 1995	4 kV Contact
	6 kV Indirect
EN61000-4-3: 1997	10 V/m
EN61000-4-4: 1995	1 kV
EN61000-4-5: 1995	2kV Line to Earth
	1kV Line to Line
EN61000-4-6: 2001	3V
EN61000-4-8: 1994	30A/m

following the provisions of the EMC Directives 89/336/EEC and 93/68/EEC.

ABB Incorporated
Technical Manager
Stewart Thoeni

Products and customer support

Automation Systems

For the following industries:

- Chemical & Pharmaceutical
- Food & Beverage
- Manufacturing
- Metals and Minerals
- Oil, Gas & Petrochemical
- Pulp and Paper

Drives and Motors

- AC and DC Drives, AC and DC Machines, AC Motors to 1kV
- Drive Systems
- Force Measurement
- Servo Drives

Controllers & Recorders

- Single and Multi-loop Controllers
- Circular Chart and Strip Chart Recorders
- Paperless Recorders
- Process Indicators

Flexible Automation

- Industrial Robots and Robot Systems

Flow Measurement

- Electromagnetic Flowmeters
- Mass Flowmeters
- Turbine Flowmeters
- Wedge Flow Elements

Marine Systems & Turbochargers

- Electrical Systems
- Marine Equipment
- Offshore Retrofit and Refurbishment

Process Analytics

- Process Gas Analysis
- Systems Integration

Transmitters

- Pressure
- Temperature
- Level
- Interface Modules

Valves, Actuators and Positioners

- Control Valves
- Actuators
- Positioners

Water, Gas & Industrial Analytics Instrumentation

- pH, Conductivity and Dissolved Oxygen Transmitters and Sensors
- Ammonia, Nitrate, Phosphate, Silica, Sodium, Chloride, Fluoride, Dissolved Oxygen and Hydrazine Analyzers
- Zirconia Oxygen Analyzers, Katharometers, Hydrogen Purity and Purge-gas Monitors, Thermal Conductivity

Customer support

We provide a comprehensive after sales service via a Worldwide Service Organization. Contact one of the following offices for details on your nearest Service and Repair Centre.

USA

ABB Inc.

Tel: +1 800 HELP 365 (435 7365)

Fax: +1 860 298 7669

UK

ABB Limited

Tel: +44 (0)1453 826661

Fax: +44 (0)1453 829671

China

ABB Engineering (Shanghai) Limited

Tel: +86 (0) 21 6105 6666

Fax: +86 (0) 21 6105 6992

Client Warranty

Prior to installation, the equipment referred to in this manual must be stored in a clean, dry environment, in accordance with the Company's published specification. Periodic checks must be made on the equipment's condition. In the event of a failure under warranty, the following documentation must be provided as substantiation:

- A listing evidencing process operation and alarm logs at time of failure.
- Copies of all storage, installation, operating and maintenance records relating to the alleged faulty unit.

Contact us

ABB Inc.

Process Automation

843 N Jefferson Street
PO Box 831
Lewisburg 24901-9509
USA

Tel: +1 304 647 4358

Fax: +1 304 645 4236

ABB Limited

Process Automation

Oldends Lane
Stonehouse
Gloucestershire GL10 3TA
UK

Tel: +44 1453 826 661

Fax: +44 1453 829 671

ABB Engineering (Shanghai) Ltd.

Process Automation

No5, Lane 369, Chuangye Road
201319, Shanghai
P.R. China

Phone: +86 (0) 21 6105 6666

Fax: +86 (0) 21 6105 6992

www.abb.com

Note

We reserve the right to make technical changes or modify the contents of this document without prior notice. With regard to purchase orders, the agreed particulars shall prevail. ABB does not accept any responsibility whatsoever for potential errors or possible lack of information in this document.

We reserve all rights in this document and in the subject matter and illustrations contained therein. Any reproduction, disclosure to third parties or utilization of its contents in whole or in parts – is forbidden without prior written consent of ABB.

Copyright© 2012 ABB

All rights reserved

I-E67-TB82PA-3B



Sales



Service



Software