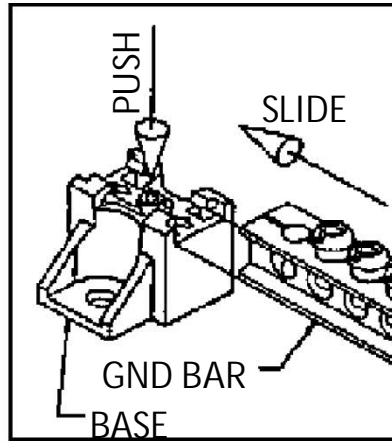




# DEJ-065 Installation Instructions Power Mark Gold Isolated Ground Kit



CATALOG NO: TKGIS2

- |  |
|--|
| 1. Push down on tab and slide Ground Bar into Base (Isolated Ground Support) as shown above            |
| 2. <b>WARNING:</b> Ensure Base position on ends of Ground Bars align with mounting holes               |
| 3. Install Ground Bar Assembly at positions in panel consistent with Ground Bar Instructions (DEJ-066) |

These instructions do not purport to cover all details or variations in equipment nor to provide for every possible contingency to be met in connection with installation operation or maintenance. Should further information be desired or should particular problems arise which are not covered sufficiently for the purchaser's purpose, the matter should be referred to the GE Company.



GE Electrical Distribution & Control

General Electric Company  
41 Woodford Avenue, Plainville, CT 06062  
©1995 General Electric Company

DEJ-065 R02 0216