

CATALOG

High voltage engineered induction motors

Technical catalog



- Engineered induction motors are highly customized, fine-tuned to the customer's precise needs, and offer a high degree of engineering flexibility

—
**We provide motors and generators,
services and expertise to save
energy and improve customers'
processes over the total life cycle
of our products, and beyond.**

Table of contents

004	High voltage engineered induction motors
006	Rotor and stator
007 – 010	High voltage terminal boxes
011	Auxiliary terminal boxes
012 – 016	Bearings
017 – 018	Vibration
019 – 052	Rib cooled motors, type AXR
054 – 128	Modular induction motors, type AMI
130 – 142	Rib cooled motors, type HXR
144 – 160	Modular slip-ring motors, type NMK
161	Total product offering
162	Life cycle services and support

ABB reserves the right to change the designs, technical specifications and dimensions without prior notice.

This catalog presents preliminary standard technical data and drawings of engineered induction motors. Data presented in rating lists are typical values. All engineered motors are configured and optimized according to the customer specifications. Accurate motor data will be given on request at the quotation phase.

All ratings in this catalog are designed for the following:

- Class F insulation / Maximum temperature rise of 80 °C by resistance
- 40 °C ambient
- Altitude of 1000 meters or less

High voltage engineered induction motors

Efficiency and reliability for all applications

Engineered induction motors from ABB are highly customized, fine-tuned to the customer's precise needs, and offer a high degree of engineering flexibility.

This catalog covers ABB's high voltage engineered induction motors: air cooled motors (type AXR and HXR 560), modular induction motors (type AMI), and slip-ring motors (type NMK).

All ABB engineered motors are optimized to match the customer's specifications and application requirements. They can meet the toughest specifications across different market segments like the oil and gas industry.

The motors are backed by ABB's global support network, which includes over 60 service centers and more than 150 authorized service providers worldwide. The availability of round-the-clock access to spares, repairs and replacements, as well as predefined maintenance programs for all stages of the product life cycle, helps customers to minimize downtime and reduce their cost of ownership.



Available output power, voltage range and pole numbers

AXR, output at 50 Hz and 60 Hz

Poles	Output (kW) at 50 Hz			Output (kW) at 60 Hz	
	AXR			AXR	
	3 kV	6 kV	10 kV	4.16 kV	6.6 kV
2	125 - 1550	160 - 1500	355 - 1320	160 - 1600	160 - 1580
4	125 - 1750	160 - 1700	355 - 1400	160 - 1800	160 - 1750
6	125 - 1570	140 - 1500	250 - 1175	125 - 1700	160 - 1650
8	200 - 1280	180 - 1200	400 - 900	160 - 1300	160 - 1300
10	160 - 1030	160 - 970	–	160 - 1150	160 - 1120
12	140 - 740	140 - 680	–	140 - 775	200 - 740

HXR 560, output at 50 Hz

Poles	Output (kW) at 50 Hz		
	HXR		
	3 kV	6 kV	10 kV
2	1550 - 1730	1500 - 1600	–
4	1750 - 2240	1700 - 2000	–
6	1570 - 2000	1500 - 1800	1175 - 1400
8	1280 - 1600	1200 - 1500	900 - 1120
10	1030 - 1350	970 - 1230	–
12	740 - 1100	680 - 980	–

Output ranges of ABB motors (Temperature rise class B, insulation class F). Other voltages on request.

AMI, output at 50 Hz

Poles	Output (kW) at 50 Hz		
	AMI		
	3 kV	6 kV	10 kV
2	630 - 8000	630 - 8000	630 - 7100
4	630 - 8000	630 - 7800	800 - 6700
6	450 - 6500	450 - 6500	560 - 5600
8	280 - 4800	280 - 4500	630 - 4150
10	250 - 3700	200 - 3700	530 - 3000
12	160 - 3000	180 - 2800	355 - 2300

Output ranges of ABB motors (Temperature rise class B, insulation class F). Other voltages on request.

NMK, output at 50 Hz

Poles	Output (kW) at 50 Hz		
	NMK		
	3 kV	6 kV	10 kV
4	10000	10000	9000
6	8500	8500	8000
8	6300	6300	5600
10	4500	4500	4000
12	3550	3550	3150
14	2800	2800	2500
16	2240	2240	2000

Output ranges of ABB motors (Temperature rise class B, insulation class F). Other voltages on request.

Rotor and stator

Rotor

The key to a long rotor operating life is minimal vibration. This is achieved through robust construction and careful balancing. ABB selects the shaft material according to the demands of the application and the ambient conditions in which the motor is to operate.

Squirrel cages are made of copper, copper alloy or aluminum, depending on the load and customer requirements. Additional stiffness is provided by fabricated rotor bars, which enable the motors to withstand long periods of heavy use. Aluminum bars and end rings are used to ensure optimal starting characteristics.

Wound rotors of slip ring motors are made of materials that can withstand heavy conditions ensuring low vibration levels through a solid structure and the perfect balancing of each component. The wound rotor is VPI impregnated same as stators with ABB's Micadur® Compact Industry insulation system. ABB special rotary VPI curing process for wound rotors minimize vibrations and ensure a lifelong stability; rigid bandages with patented structure also prevent windings from being exposed to distorting centrifugal forces.

Once assembled each rotor is dynamically balanced at full operating speed in accordance with the ISO 1940-1 and ISO 11342 standards on mechanical vibration.

Stator

The stator core is welded and machined to form a solid and compact unit that retains its rigidity throughout the life of the motor. Radial air ducts ensure uniform and efficient cooling.

When completely wound and connected, the stator is vacuum pressure impregnated and cured with ABB's Micadur® Compact Industry insulation system, a specially formulated epoxy resin used by ABB to insulate all its rotating electrical machines over the past 30 years. Micadur ensures a sealed and homogeneous insulation system, resulting in low dielectric losses, high dielectric strength, excellent heat transfer and the elimination of hazardous internal partial discharges.

As standard, all motors are designed to stay within temperature class F.

High voltage terminal boxes

Technical data:

Voltage (max.)	6.6 kV
Current (max.)	400 A
Dynamic short circuit current	75 kA (0.25 s)
No of cables (max.)	1 per phase
Cross section of cables (max.)	300 mm ² /cable
Cable gland	Blind gland (1 pce)
Clearance (min.)	60 mm
Creepage (min.)	89 mm
Gross volume	44 dm ³
Usable volume	39 dm ³
Connection screws	M16 (3 pcs)
Connection nuts	Tightening torque 40 Nm
Ground connections	M12 (both in- and outside)
Weight	33 kg
Protection	IP66
Standard	DIN 42962 TEIL 1, A2

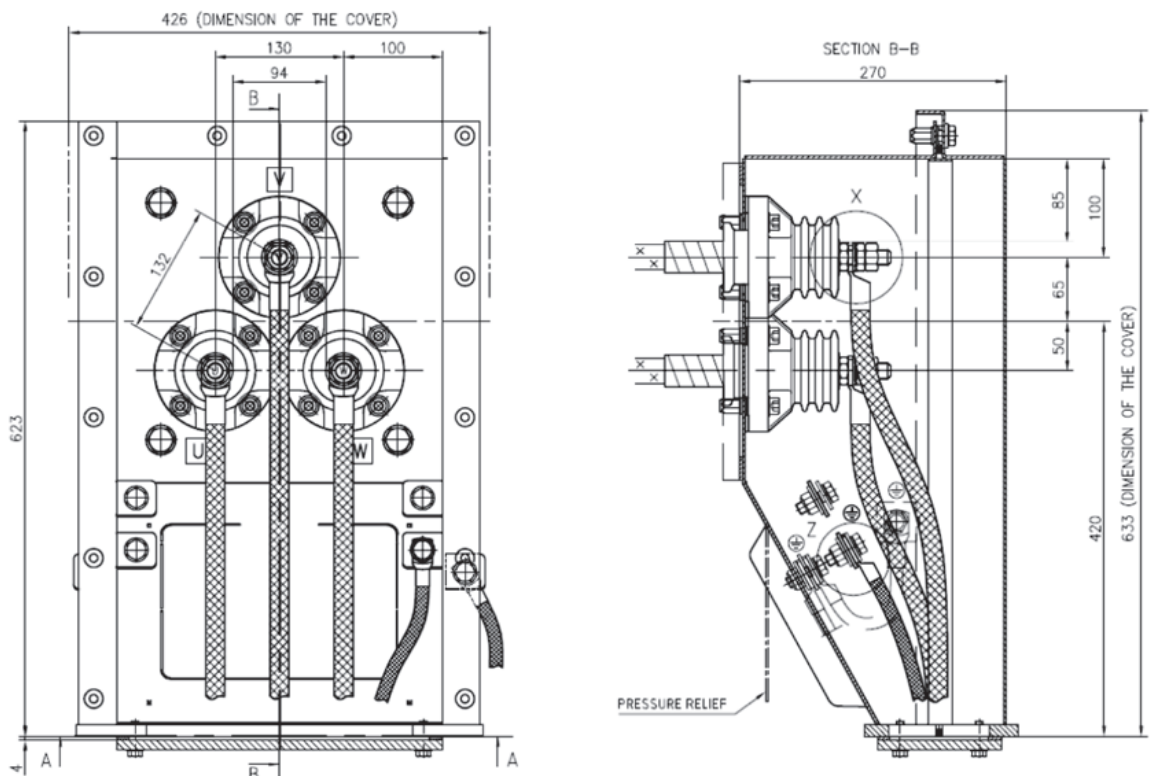
Materials:

Box	Welded sheet steel (thickness min. 3 mm)
Cable gland plate	Steel
Connection screws	Bronze
Isolators	Epoxy casting resin or polyurethane resin
Grounding pad	Stainless steel

Other features:

- Rigid welded construction
- Ample size for making connections of supply cables
- Box turnable to allow cable entry from left or right
- Box turnable in steps of 90°
- Either 3-phase or 1-phase cables can be connected
- Pressure relief plate in the bottom of box in case of arching short circuit
- Different cable glands available
- Terminal box tested acc. to IEC 298 concerning internal arc strength

01 High voltage terminal box. Dimensions in mm.



High voltage terminal boxes

Technical data:

Voltage (max.)	6.6 kV
Current (max.)	800 A
No. of cables (max.)	2 per phase
Cross section of cables (max.)	300 mm ² /cable
Cable gland	Blind gland (1 pce)
Clearance (min.)	60 mm
Creepage (min.)	89 mm
Gross volume	197 dm ³
Usable volume	189 dm ³
Connection screws	(M16x1/M12x2/ M10x2)/phase
Tightening torque for connection nuts	190 Nm (M16), 55 Nm (M12), 46 Nm (M10)
Ground connections	M12 (both in- and outside)
Weight	90 kg
Protection	IP66
Standards	DIN 42962 Teil 2, D2 (internal dimensions)

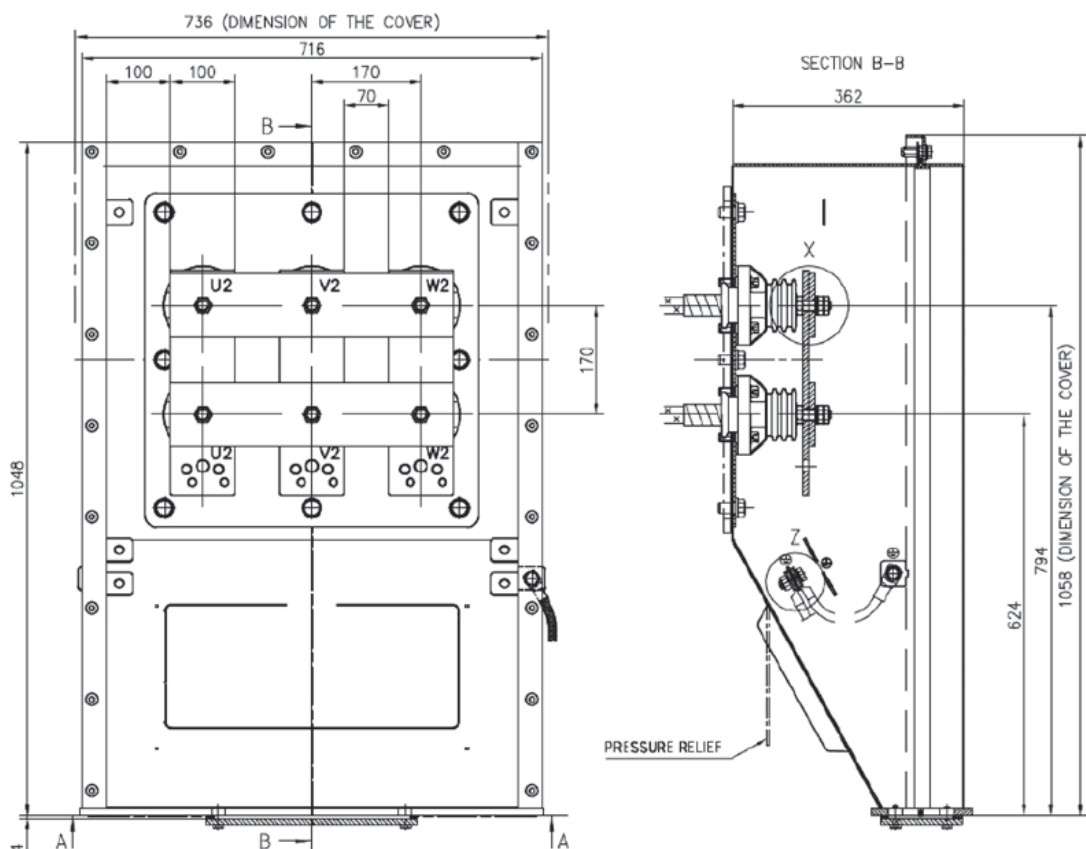
Materials:

Box	Welded sheet steel (thickness min. 3 mm)
Cable gland plate	Steel
Connection screws	Bronze
Isolators	Polyurethane resin or epoxy casting resin
Grounding pad	Stainless steel

Other features:

- Rigid welded construction
- Ample size for connecting supply cables
- box turnable to allow cable entry from left or right
- Box turnable in steps of 90°
- Either 3-phase or 1-phase cables can be connected
- Pressure relief plate in bottom of box in case of arcing short circuit
- Different cable glands available

02 High voltage star point terminal box, max 6.6 kV. Dimensions in mm.



High voltage terminal boxes

Technical data:

Voltage (max.)	11.0 kV
Current (max.)	400 A
No. of cables (max.)	1 per phase
Cross section of cables (max.)	300 mm ² /cable
Cable gland	Blind gland (1 pce)
Clearance (min.)	100 mm
Creepage (min.)	163 mm
Gross volume	127 dm ³
Usable volume	117 dm ³
Connection screws	M16 (3 pcs)
Connection nuts	Tightening torque 40 Nm
Ground connections	M12 (both in- and outside)
Weight	62 kg
Protection	IP66
Standard	DIN 42962 TEIL 2, C2

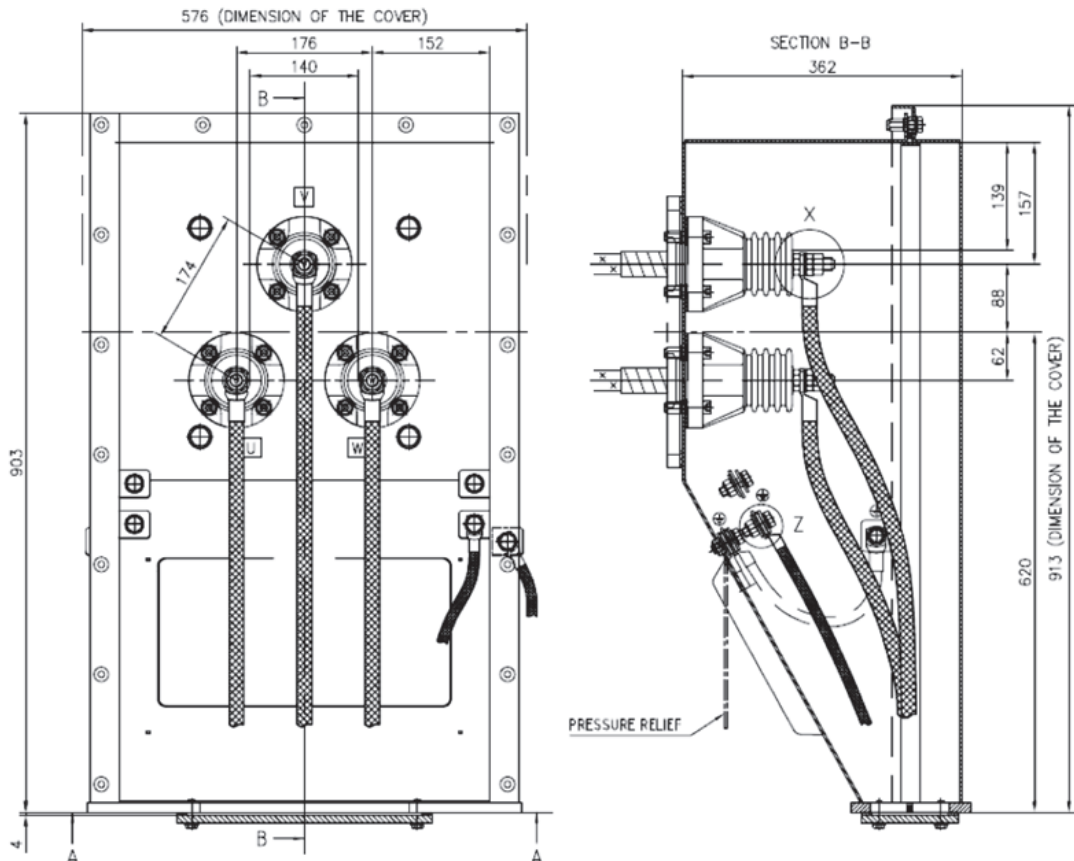
Materials:

Box	Welded sheet steel (thickness min. 3 mm)
Cable gland plate	Steel
Connection screws	Bronze
Isolators	Epoxy casting resin
Grounding pad	Stainless steel

Other features:

- Rigid welded construction
- Ample size for connecting supply cables
- Box turnable to allow cable entry from left or right
- Box turnable in steps of 90°
- Either 3-phase or 1-phase cables can be connected
- Pressure relief plate in bottom of box in case of arcing short circuit
- Different cable glands available

03 High voltage terminal box, max 11 kV
Dimensions in mm.

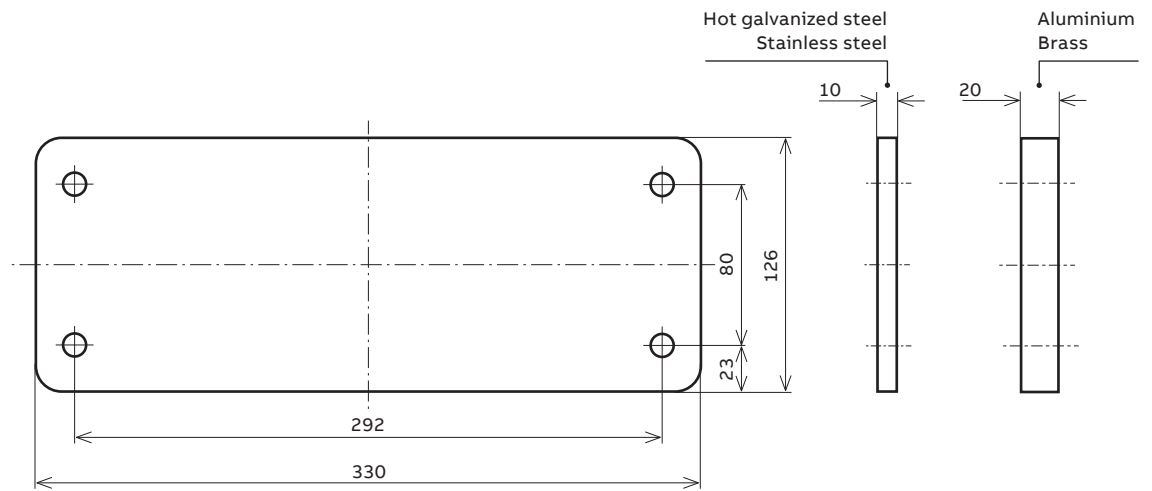


High voltage terminal boxes

Dimensions for terminal box inlet, blind flange

As standard, main terminal boxes are supplied with a blind flange.

04 Blind flange FL 33
for terminal box.



Auxiliary terminal boxes

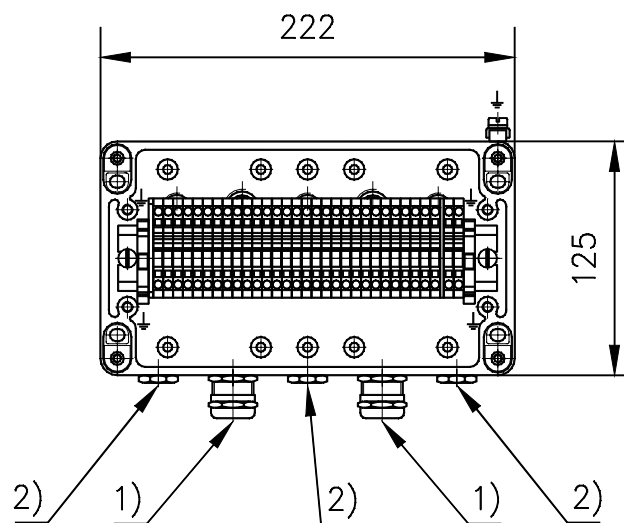
As standard, motors in safe areas are equipped with one common auxiliary terminal box for monitoring devices and space heaters. As standard, motors in hazardous areas are equipped with two auxiliary terminal boxes, one for monitoring devices and one for space heaters.

Standard auxiliary terminal boxes

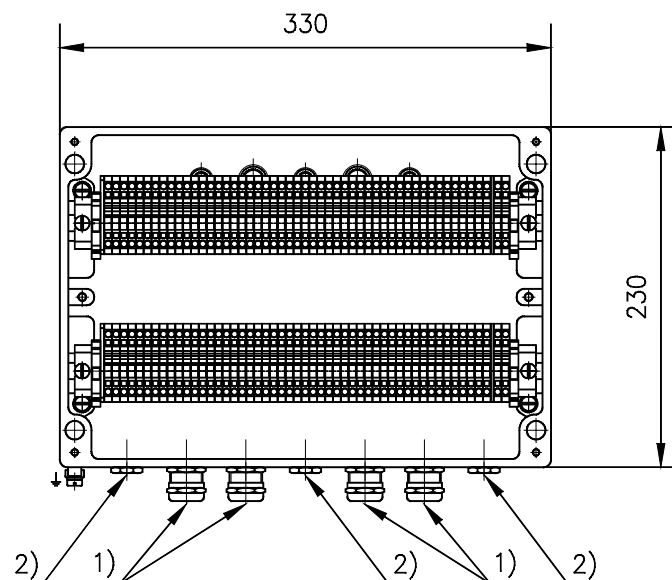
Type designation	Use	Size (H x D x W) mm
Small terminal box	Standard	125 x 81 x 222
Large terminal box	When additional space needed	230 x 180 x 330

Typical arrangements for standard terminal boxes are shown below. The number of terminal blocks depends on the number of accessories used with the motor. Additional terminals can be supplied on request.

05 Small terminal box with terminal blocks and cable glands.
 1) Cable gland M20x1.5 for cable outer diameter 10 to 14 mm (2 pcs)
 2) Threaded hole for cable gland M16x1.5 (3 pcs), plugged.



06 Large terminal box with terminal blocks and cable glands.
 1) Cable gland M20x1.5 for cable outer diameter 10 to 14 mm (4 pcs)
 2) Threaded hole for cable gland M16x1.5 (3 pcs), plugged.



Bearings

Horizontal motors

Horizontal motors in frame sizes 315 to 500 have deep groove ball bearings at both ends. The HXR 560, AMI 560 to 630 and NMK 560 to 710 frame sizes have a double bearing arrangement (a deep groove ball bearing and cylindrical roller bearing) at the D-end and a cylindrical roller bearing at the N-end (only horizontal motor available).

The bearing at the D-end is axially locked in horizontal motors. Standard bearings for

horizontal motors are listed in the table below and the bearing construction is shown in the figures on page 13.

The standard bearing solution is designed to carry the weight of a typical coupling half and the motor's rotor only. Any additional radial or axial force caused by the driven equipment may require specially constructed bearings.

Standard bearings for horizontal motors

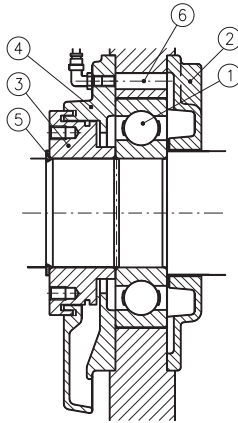
Frame size	Poles	D-end	N-end
AXR 315	≥2	6317M/C3	6317M/C3
AXR 355	2	6317M/C3	6317M/C3
AXR 355	≥4	6319M/C3	6319M/C3
AXR 400	2	6317M/C3	6317M/C3
AXR 400	≥4	6324/C3	6319M/C3
AXR 450	2	6319M/C3	6319M/C3
AXR 450	≥4	6324/C3	6324/C3
AXR 500	2	Sleeve*)	
AXR 500	≥4	6330M/C3	6330M/C3
HXR 560	≥4	6034/C3 + NU1034/C3	NU322/C3
HXR 560	2	Sleeve*)	Sleeve*)
AMI 400	2	6319M/C3	6319M/C3
AMI 400	≥4	6324/C3	6319/C3
AMI 450	2	6319M/C3	6319M/C3
AMI 450	≥4	6326/C3	6322/C3
AMI 500	2	Sleeve*)	Sleeve*)
AMI 500	≥4	6330/C3	6324/C3
AMI 560	2	Sleeve*)	Sleeve*)
AMI 560	4	6034/C3 + NU1034/C3	NU1034/C3
AMI 560	≥6	6038/C3 + NU1038/C3	NU1038/C3
AMI 630	2	Sleeve*)	Sleeve*)
AMI 630	4	6038/C3 + NU1038/C3	NU1044/C3
AMI 630	≥6	6044/C3 + NU1044/C3	NU1044/C3
NMK 400	≥4	6324/C3	6228/C3
NMK 450	≥4	6326/C3	6228/C3
NMK 500	≥4	6330/C3	6330/C3
NMK 560	≥4	6038M/C3+NU1038M/C3	NU1038M/C3
NMK 630	≥4	6044M/C3+NU1044M/C3	NU1044M/C3
NMK 710	4	Sleeve*)	Sleeve*)
NMK 710	≥6	6048M/C3+NU1048M/C3	NU1048M/C3

*) See section on sleeve bearings

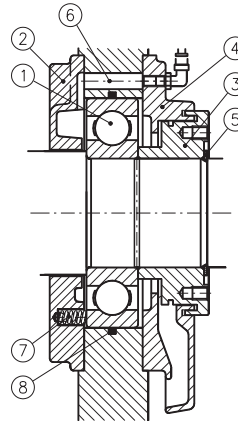
Bearings

Standard bearing construction for horizontally mounted motors, frame sizes 315 to 500

- 07
- 1 Groove ball bearing
- 2 Inner bearing cover
- 3 Grease valve
- 4 Outer bearing cover
- 5 Circlip
- 6 Hexagon screw
- 7 Spring
- 8 O-ring



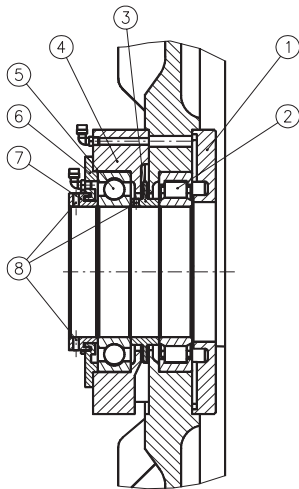
D-end, axially locked



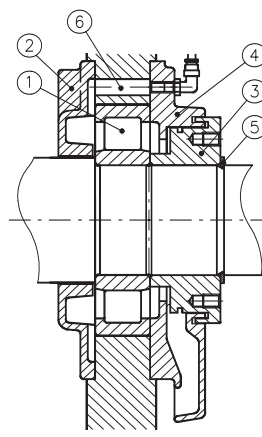
N-end, axially free

Standard bearing construction for horizontally mounted motors HXR 560

- 08
- 1 Inner bearing cover
- 2 Cylindrical roller bearing
- 3 Grease valve
- 4 Outer bearing cover
- 5 Deep groove ball bearing
- 6 Outer bearing cover lid
- 7 Labyrinth seal
- 8 Grub screw



D-end, axially locked

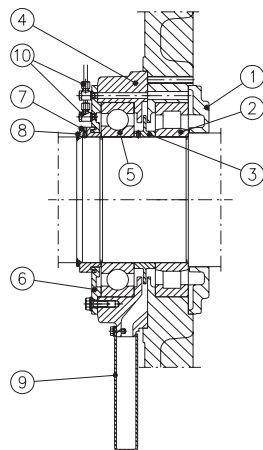


N-end, axially free

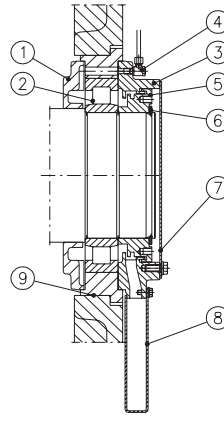
- 09
- 1 Cylindrical roller bearing
- 2 Inner bearing cover
- 3 Grease valve
- 4 Outer bearing cover
- 5 Circlip
- 6 Hexagon screw

Standard bearing construction for horizontally mounted motors, AMI 560 to 630 and NMK 560 to 710

- 10
- 1 Inner bearing cover
- 2 Cylindrical roller bearing
- 3 Grease valve
- 4 Outer bearing cover
- 5 Deep groove ball bearing
- 6 Outer bearing cover
- 7 Labyrinth seal
- 8 Retaining ring
- 9 Waste grease box
- 10 Grease adapter



D-end



N-end

- 11
- 1 Inner bearing cover
- 2 Cylindrical roller bearing
- 3 Outer bearing cover
- 4 Grease adapter
- 5 Grease valve and labyrinth seal
- 6 Retaining ring
- 7 Cover plate
- 8 Waste grease box
- 9 Insulation

Bearings

Rated lifetime

Most standard bearings have a rated lifetime L10h in excess of 100,000 h. The rated lifetime for frame size 500, 2-pole, may be less than 100,000 h. The lifetimes are calculated in accordance with ISO R 281-1.

The basic rated lifetime L10h is the number of hours at rated bearing load and speed that 90% of a group of identical bearings will complete or exceed before the first evidence of failure.

Lubrication intervals

The motors are fitted with grease nipple(s) at both ends for lubricating the bearings. The grease nipples are located on the top of the motor. The amount of grease and the greasing interval are stamped on the relubrication plate, and the same information is shown in the table below.

Relubrication intervals and grease amount for AXR motors

Bearing type	Amount of grease (g)	Lubrication intervals in running hours at different speeds (rpm)									
		3600	3000	1800	1500	1200	1000	900	750	600	≤ 500
6317	35	2200	3000	8000	8800	8800	8800	8800	8800	8800	8800
6319	45	1500 ¹⁾	2500 ¹⁾	6600	8800	8800	8800	8800	8800	8800	8800
6324	75	NA	NA	4400	5900	8000	8800	8800	8800	8800	8800
6330	100	NA	NA	3000	3600	5900	8000	8800	8800	8800	8800

¹⁾ Use synthetic grease only

Relubrication intervals and grease amount for HXR motors

Bearing type	Amount of grease (g)	Lubrication intervals in running hours at different speeds (rpm)					
		3600	3000	1800 - 1500	1200 - 1000	900 - 750	600 - 500
6317	35	800	2200	8800	8800	8800	8800
6319	45	400	1600	6600	8800	8800	8800
6322	60			6600	8800	8800	8800
6324	70			4400	8800	8800	8800
6326	80			4400	8800	8800	8800
6034	55			1600	3300	6600	8800
NU1034	55			1600	3300	4400	8800
NU322	60			3300	4400	4400	8800
7317	35		1100	4400	4400	4400	6600
7319	45		800	3300	4400	4400	6600
7322	60			3300	4400	4400	6600
7324	70			2200	4400	4400	6600

Note: Ball bearings on vertical motors should be lubricated twice as frequently as horizontal motors. The motor type is indicated by the first letter of the bearing type (6).

Bearings

Relubrication intervals and grease amount for AMI motors

Bearing type	Amount of grease (g)	Lubrication intervals in running hours at different speeds (rpm)									
		3600	3000	1800	1500	1200	1000	900	750	600	≤ 500
6317	35	2200	3000	8000	8800	8800	8800	8800	8800	8800	8800
6319	45	1500 ¹⁾	2500 ¹⁾	6600	8800	8800	8800	8800	8800	8800	8800
6322	60	NA	NA	5100	6600	8800	8800	8800	8800	8800	8800
6324	75	NA	NA	4400	5900	8000	8800	8800	8800	8800	8800
6326	80	NA	NA	3600	5100	7300	8800	8800	8800	8800	8800
6330	100	NA	NA	3000	3600	5900	8000	8800	8800	8800	8800
_034	55	NA	NA	3000	5100	6600	8800	8800	8800	8800	8800
6334	130	NA	NA	2200	3000	5100	6600	8000	8800	8800	8800
_038	70	NA	NA	2200	3600	5900	8000	8800	8800	8800	8800
6338	160	NA	NA	1500	2200	4400	5900	6600	8800	8800	8800
_044	95	NA	NA	NA	NA	4400	5900	7300	8800	8800	8800
6344	200	NA	NA	NA	NA	3000	4400	5100	7300	8800	8800
_048	100	NA	NA	NA	NA	3600	5100	6600	8000	8800	8800
6348	240	NA	NA	NA	NA	2200	3600	4400	5900	8000	8800

¹⁾ Use synthetic grease only

Note: The lubrication intervals in the table are based for standard lithium soap based greases with the bearing temperature of 70 °C (158 °F).

Note: External load can cause shorter re-lubrication interval or different type grease.

Note: Re-lubrication intervals are defined based on the roller bearings (NU) in order to make to maintenance work simpler (the shortest relubrication interval is valid).

Relubrication intervals and grease amount for NMK motors

Bearing type	Amount of grease (g)	Lubrication intervals in running hours at different speeds (rpm)								
		1800	1500	1200	1000	900	750	600	≤500	
6228	53	4400	3600 ¹⁾	8000	8000	8800	8800	8800	8800	8800
_038	70	3000	3000	5900	5000	8800	8800	8800	8800	8800
_044	96	NA	3000	4400	4400	7300	6600	8800	8800	8800
_048	100	NA	NA	NA	3000	4400	5900	7300	8800	8800
6324	75	3000	4400	6600	8000	8800	8800	8800	NA	NA
6326	80	3000	5900	8000	8800	8800	8800	8800	NA	NA
6330	100	2200	3600	5100	5100	8800	8800	8800	NA	NA

¹⁾ Use synthetic grease only

Note: The lubrication intervals in the table are based for standard lithium soap based greases with the bearing temperature of 70 °C (158 °F).

Note: External load can cause shorter re-lubrication interval or different type grease.

Note: Re-lubrication intervals are defined based on the roller bearings (NU) in order to make to maintenance work simpler (the shortest relubrication interval is valid).

Bearings

Sleeve bearings

As standard, the axial float of the rotor is ± 8 mm from the mechanical center. The running center is located within the float area and therefore operation is also allowed while the motor is uncoupled eg, during test running. As standard, a pointer showing the running center with regard to the end limits is available. Continuous axial forces are not permitted and therefore a limiting type of coupling is needed to ensure the location of the rotor within the axial float range. On request and as an option, when the special axial float is at least ± 3 mm, the magnetic running center can be adjusted to within ± 2.4 mm of the mechanical center.

Sleeve bearings are generally self-cooled, oil ring lubricated but some require external flood lubrication. Please see the lubrication table below for standard lubrication requirements based on a maximum 40°C ambient and 50 Hz operation. Consult ABB for ambient temperatures above 40°C, or for self-cooling of bearings where flood lubrication is standard. Units requiring flood lubrication are supplied with provisions only. Refer the oil supply pressure, type of oil, and location of provisions to the factory for review prior to order acceptance.

Sleeve bearings and lubrication method

Frame size	Poles	D-end bearing	N-end bearing	Lubrication method
AXR 355	2	EFNLB 9-80	EFNLQ 9-80	Self lubrication
AXR 355	≥ 4	EFNLB 9-90	EFNLQ 9-90	Self lubrication
AXR 400	2 (50Hz)	EFNLB 9-80	EFNLQ 9-80	Self lubrication
AXR 400	2 (60Hz)	EMNLB 9s-80	EMNLB 9s-80	Self lubrication
AXR 400	≥ 4	EFNLB 9-100	EFNLQ 9-100	Self lubrication
AXR 450	2	EMNLB 9s-80	EMNLB 9s-80	Self lubrication
AXR 450	4	EMNLB 9s-90	EMNLB 9s-90	Self lubrication
AXR 450	≥ 6	EMNLB 9s-100	EMNLB 9s-100	Self lubrication
AXR 500	2	EMZLB 9s-90	EMZLB 9s-90	Oil circulation ¹⁾
AXR 500	≥ 4	EFNLB 14-125	EFNLB 11-125	Self lubrication
HXR 560	2	EFZLB 14-125	EFZLQ 14-125	Oil circulation
HXR 560	4	EFZLB 14-125	EFZLQ 14-125	Oil circulation ¹⁾
HXR 560	6	EFZLB 14-125	EFZLQ 14-125	Self lubrication
HXR 560	≥ 8	EFZLB 14-140	EFZLQ 14-140	Self lubrication
AMI 400	2	FZLB 9-80	FZLQ 9-80	Self lubrication
AMI 400	≥ 4	FZLB 9-100	FZLQ 9-100	Self lubrication
AMI 450	2	FZLB 9-80	FZLQ 9-80	Self lubrication
AMI 450	≥ 4	FZLB 11-125	FZLQ 9-100	Self lubrication
AMI 500	2	FZLB 9-100	FZLQ 9-100	Oil circulation ¹⁾
AMI 500	4	FZLB 14-125	FZLQ 11-125	Self lubrication
AMI 500	≥ 6	FZLB 14-140	FZLQ 11-125	Self lubrication
AMI 560	2	MZLB 14-140	MZLB 14-140	Oil circulation ¹⁾
AMI 560	4	FNLB 18-160	FNLQ 18-160	Self lubrication
AMI 560	≥ 6	FNLB 14-180	FNLQ 14-180	Self lubrication
AMI 630	2	MZLB 14-160	MZLB 14-160	Oil circulation ¹⁾
AMI 630	4	FNLB 18-160	FNLQ 18-160	Self lubrication
AMI 630	≥ 6	FNLB 18-200	FNLQ 18-200	Self lubrication
NMK560	4	FZLB 14-180	FZLQ 14-180	Oil circulation
NMK560	6	FZLB 14-180	FZLQ 14-180	Oil circulation ¹⁾
NMK 630	4	FZLB 18-200	FZLQ 18-200	Oil circulation
NMK 630	6	FZLB 18-200	FZLQ 18-200	Oil circulation ¹⁾
NMK 710	4 and 6	FZLB 18-225	FZLQ 18-225	Oil circulation

¹⁾ Self lubrication possible, please contact ABB

Bearings

Vertical motors

Vertical motors in frame sizes 315 to 500 have deep groove ball bearing in D-end and single-row angular contact ball bearing in N-end.

The bearing at the D-end is axially free in vertical motors when an angular contact ball bearing is mounted in N-end. Standard bearings for vertical motors are listed in the table below and the bearing construction is shown in the figure below.

The standard bearing solution is designed to carry the weight of a typical coupling half and the motor's rotor only. Any additional radial or axial force caused by the driven equipment may require specially constructed bearings.

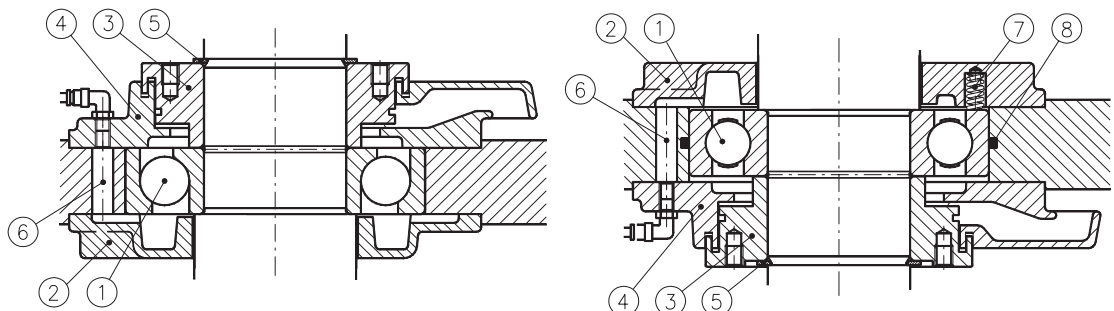
Standard bearings for vertical motors

Frame size	Poles	D-end	N-end
AMI 400	≥ 4	6324/C3	7319 BMP
AMi 450	≥ 4	6326/C3	7322 BMP
AMI 500	≥ 4	6330/C3	7324 BMP
AMI 560	≥ 4	6038/C3	1x7330 BCBM
AMI 630	≥ 6	6044/C3	1x7334 BCBM
AXR 315	≥ 2	6317M/C3	7317 BCBM
AXR 355	2	6317M/C3	7317 BCBM
AXR 355	≥ 4	6319M/C3	7317 BCBM
AXR 400	≥ 4	6324M/C3	7319 BCBM
AXR 450	≥ 4	6030M/C3	7324 BCBM
AXR 500	≥ 4	6030M/C3	7326 BCBM

Standard bearing construction of vertically mounted motor, AXR 315 to 500.

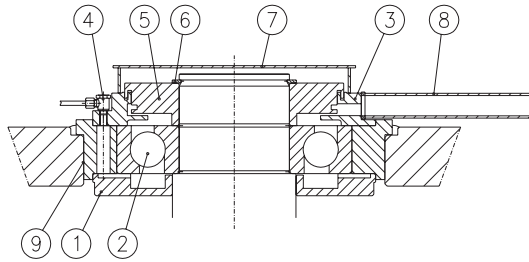
On the left the bearing is "axially locked" angular contact ball bearing and on the right is an axially free deep groove ball bearing.

- 12
- 1 Bearing
- 2 Inner bearing cover
- 3 Grease valve
- 4 Outer bearing cover
- 5 Circlip
- 6 Hexagon screw
- 7 Spring
- 8 O-ring



Bearings

Standard bearing construction of vertically mounted motor, AMI 400 to 630.
On the left the bearing is “axially locked” angular contact ball bearing and on the right is an axially free deep groove ball bearing.



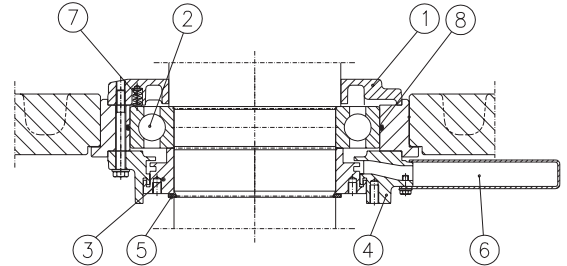
- 13
 1 Inner bearing cover
 2 Angular contact ball bearing
 3 Outer bearing cover
 4 Grease adapter
 5 Grease valve and labyrinth seal
 6 Retaining ring
 7 Cover plate
 8 Waste grease box
 9 Insulation

Rated lifetime

The bearing rates for all vertical motors with standard bearings have a rated lifetime L10h in excess of 100,000 h. The lifetimes are calculated in accordance with ISO R 281-1.

The basic rated lifetime L10h is the number of hours at rated bearing load and speed that 90% of a group of identical bearings will complete or exceed before the first evidence of failure.

Additional axial force from the driven equipment is not allowed.



- 14
 1 Inner bearing cover
 2 Deep groove ball bearing
 3 Grease valve
 4 Outer bearing cover
 5 Retaining ring
 6 Waste grease box
 7 Spring
 8 O-ring

Lubrication intervals

The motors are fitted with grease nipple(s) at both ends for lubricating the bearings. The grease nipples are located on the top of the motor. The amount of grease and the greasing interval are stamped on the relubrication plate, and the same information is shown in the table on page 14.

Vibration

Standard design

The standard motors manufactured according to IEC standard satisfy the Grade A vibration limits specified in IEC 60034-14. The maximum accepted values are shown in the table below.

Standard design unfiltered vibration limits

Poles	Speed (rpm)	Bearing housing vibration	Relative shaft vibration	Combined runout
2	1800 < n ≤ 3600	2.3 mm/s rms	65 μm p-p	16 μm p-p
≥ 4	n ≤ 1800	2.3 mm/s rms	90 μm p-p	23 μm p-p

Rib cooled motors, type AXR

More know-how per kilogram

The latest generation of multipurpose rib cooled motors offers high power density, easy configurability and built-in serviceability. They incorporate experience ABB has gained over more than 130 years of manufacturing electric motors.

These motors set a benchmark for the industry, offering more watts per kilogram than has ever been achieved before with rib cooled motors. High power density means that for a given output you can often use a motor one frame size smaller than with conventional products. This helps to save space and enables more compact installations.

AXR motors comply with main industry standards such as API 541 and shell DEP as well as customer specifications.

AXR motors have a rugged cast iron frame. They are rib cooled motors with IC411 cooling and IP55 protection as standard. The motors are also available with IC416 cooling and optional IP66 protection. Their IP66 protection has been verified by a leading independent testing organization.

AXR motors cover the output range up to 1,800 kW, and they are available in shaft heights from 315 to 500 mm. The motors can be mounted horizontally and vertically. For AXR motors this catalog shows the technical data at 50 Hz and 60 Hz, and for synchronous speed from 500 to 3600 rpm.

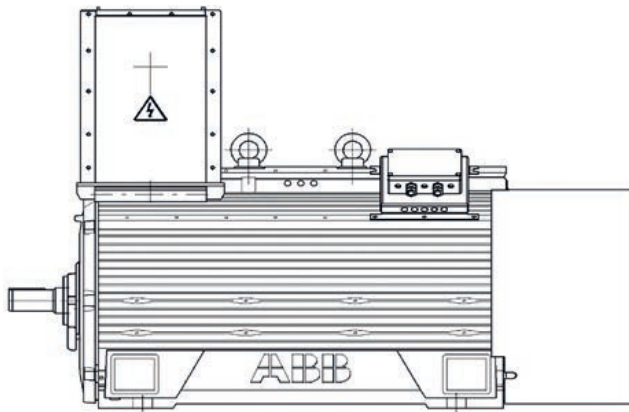


Rib cooled motors, type AXR

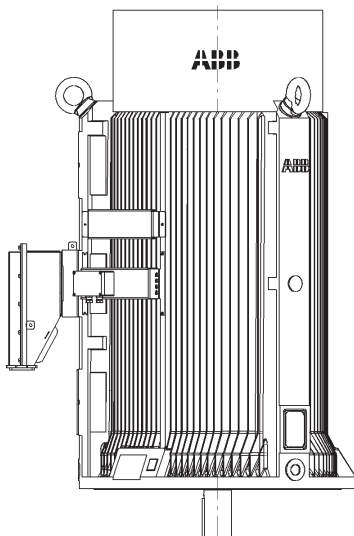
Mounting arrangements

Standard mounting arrangements for AXR motors

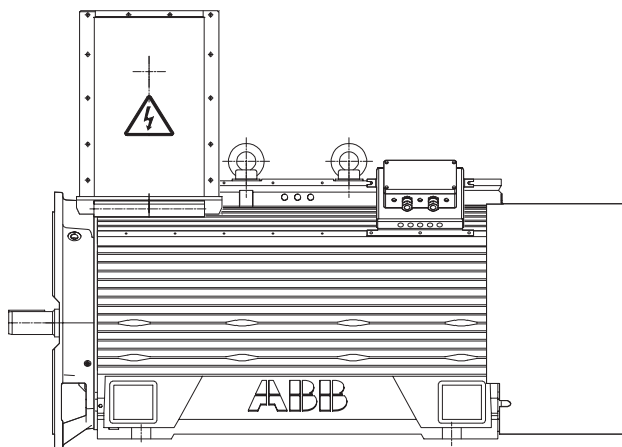
—
15
Code I: IM B3
Code II: IM 1001
Standard floor
mounting, feet
facing downwards
(horizontal foot
mounted).



—
16
Code I: IM V1
Code II: IM 4011
Flange and free shaft
end facing downwards
(vertical solid shaft,
flange mounted).



—
17
Code I: IM B35,
Code II: IM 2001
Foot-and-flange-
mounted horizontal
with the flange part
of the end-shield,
one cylindrical shaft
extension and feet
facing downwards.



Rib cooled motors, type AXR

Enclosure and cooling

Standard combinations

IC411 / IP55

AXR motors have an external shaft mounted fan that uses the surrounding air for cooling. The motors are protected against dust and water jets. The operating principle of these motors is shown in diagram 17 below.

IC416 / IP55

AXR motors are available with IC416 cooling. An additional motor drives the cooling fan to produce the cooling required for low speed applications, especially in cases where the motor is fed via a variable speed drive.

Protection rating IP55

- Protection against dust: as in other dust-protected motors, some dust can enter but not in sufficient quantities to interfere with the motor's operation.
- Protection against water jets: water projected by a nozzle against the motor from any direction has no harmful effect.

Protection rating IP66

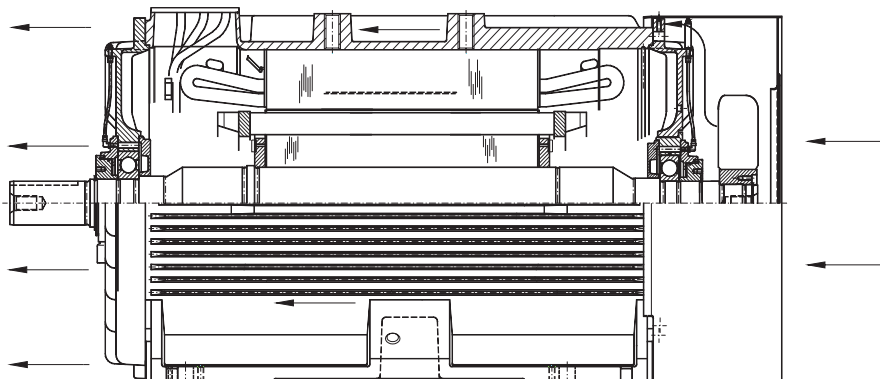
AXR motors are available with protection ratings up to IP66.

- Protection against dust: the enclosure is completely dust tight.
- Protection against water jets: water projected in powerful jets (12.5 mm nozzle) against the enclosure from any direction has no harmful effect.

Cooling method (IC411)

- Frame surface cooled: The primary coolant is circulated in a closed circuit in the motor and gives its heat through the external surface of the motor (in addition to the heat transfer via the stator core and other heat conducting parts) to the final coolant which is the surrounding medium. The surface may be plain or ribbed, with or without an outer shell to improve the heat transfer.
- Self circulation: The coolant is moved dependent on the rotational speed of the main motor either by action of the rotor alone or by means of a component designed for this purpose and mounted directly on the rotor of the main motor, or by a fan or pump unit mechanically driven by the rotor or the main motor.

18 Sectional drawing of IC411 / IP55 motor



Rib cooled motors, type AXR

Technical data

IP55, IC411, insulation class F, temperature rise class B
690 V, 50 Hz

Output (kW)	Motor type	Product ID	Speed (r/min)	Efficiency		Power factor		Current			Torque			Rotor inertia (kgm ²)	Motor weight (kg)	Sound pressure level <i>L_p</i> (dB(A))
				Full load 100%	3/4 load 75%	Full load 100%	3/4 load 75%	<i>I_N</i> (A)	<i>I_S</i> <i>I_N</i> (pu)	<i>I₀</i> (A)	<i>T_N</i> (Nm)	<i>T_S</i> <i>T_N</i> (pu)	<i>T_{max}</i> <i>T_N</i> (pu)			
3000 r/min = 2 poles																
690 V 50 Hz																
250	AXR 315MB2	310126	2972	95.8	95.9	0.91	0.90	240	5.7	50	803	0.7	2.3	1.9	1760	80
280	AXR 315MB2	310125	2971	95.9	96.0	0.89	0.88	273	5.5	65	900	0.7	2.2	1.9	1770	80
315	AXR 315MC2	310124	2968	95.9	96.1	0.90	0.90	302	5.1	57	1013	0.7	2.1	2.0	1800	80
355	AXR 315MD2	310123	2971	96.1	96.4	0.91	0.90	339	5.5	67	1141	0.7	2.2	2.2	1890	80
390	AXR 315ME2	310122	2972	96.3	96.4	0.90	0.89	375	5.9	86	1253	0.8	2.4	2.5	1970	80
415	AXR 315ME2	310121	2981	96.6	96.7	0.90	0.90	396	5.9	84	1329	0.7	2.3	3.5	2030	80
450	AXR 355MF2	350123	2970	96.1	96.2	0.91	0.90	430	6.0	88	1447	0.9	2.3	4.3	2440	80
500	AXR 355MG2	350122	2967	96.1	96.3	0.92	0.92	470	6.0	81	1609	1.0	2.4	4.8	2570	80
550	AXR 355MG2	350121	2982	96.7	96.8	0.92	0.92	512	6.0	81	1761	0.7	2.3	6.2	2640	80
560	AXR 400ME2	400125	2974	96.4	96.4	0.91	0.90	533	5.8	101	1798	0.8	2.3	7.1	3110	81
630	AXR 400MG2	400124	2973	96.5	96.5	0.90	0.90	602	5.9	119	2023	0.8	2.2	8.3	3370	81
710	AXR 400MJ2	400123	2975	96.7	96.7	0.91	0.91	671	6.0	120	2279	0.8	2.3	8.6	3470	81
800	AXR 400MK2	400122	2977	96.8	96.9	0.92	0.91	751	6.3	134	2566	0.9	2.4	9.1	3620	81
850	AXR 400MK2	400121	2985	97.1	97.2	0.91	0.91	796	6.1	134	2719	0.7	2.2	11.8	3730	81
900	AXR 450MK2	450124	2977	96.8	96.8	0.90	0.90	856	5.4	152	2887	0.6	2.2	15.9	5130	81
1000	AXR 450MM2	450123	2982	97.0	97.0	0.91	0.90	946	6.0	181	3202	0.5	2.4	16.7	5350	81
1070	AXR 450MN2	450122	2982	97.0	97.1	0.92	0.91	1001	6.1	174	3426	0.6	2.5	16.9	5460	81
1120	AXR 450MN2	450121	2988	97.3	97.3	0.92	0.92	1040	6.1	172	3579	0.5	2.4	22.8	5640	81
1250	AXR 500MM2	500122	2984	97.0	97.0	0.94	0.94	1146	6.0	169	4000	0.6	2.4	23.4	6650	81
1280	AXR 500MM2	500121	2987	97.1	97.1	0.93	0.94	1177	5.8	167	4093	0.6	2.2	32.9	6870	81

Rib cooled motors, type AXR

Technical data

IP55, IC411, insulation class F, temperature rise class B
690 V, 50 Hz

Output (kW)	Motor type	Product ID	Speed (r/min)	Efficiency		Power factor		Current			Torque			Rotor inertia (kgm ²)	Motor weight (kg)	Sound pressure level <i>L_p</i> (dB(A))
				Full load 100%	3/4 load 75%	Full load 100%	3/4 load 75%	<i>I_N</i> (A)	<i>I_S</i> <i>I_N</i> (pu)	<i>I₀</i> (A)	<i>T_N</i> (Nm)	<i>T_S</i> <i>T_N</i> (pu)	<i>T_{max}</i> <i>T_N</i> (pu)			
1500 r/min = 4 poles				690 V 50 Hz												
280	AXR 315MC4	310145	1491	96.2	96.1	0.84	0.80	289	6.2	112	1793	0.7	2.4	4.6	1880	76
315	AXR 315MC4	310144	1490	96.2	96.2	0.86	0.83	320	5.6	110	2019	0.7	2.1	4.7	1900	76
355	AXR 315MC4	310143	1490	96.2	96.3	0.85	0.82	362	5.7	128	2276	0.7	2.2	4.8	1910	76
380	AXR 315MD4	310142	1490	96.3	96.4	0.84	0.80	392	6.0	151	2435	0.7	2.3	5.0	1950	76
420	AXR 315ME4	310141	1490	96.5	96.5	0.85	0.82	427	6.0	155	2691	0.7	2.3	5.6	2040	76
450	AXR 355MF4	350143	1484	96.1	96.2	0.85	0.82	460	5.6	157	2896	1.0	2.2	6.3	2430	76
500	AXR 355MH4	350142	1485	96.2	96.2	0.84	0.81	516	5.9	189	3215	1.1	2.3	6.8	2530	76
550	AXR 355MH4	350141	1490	96.5	96.5	0.85	0.82	560	5.8	188	3524	0.8	2.1	8.8	2620	76
630	AXR 400MF4	400144	1487	96.2	96.1	0.85	0.82	648	5.9	222	4047	1.0	2.2	11.6	3180	81
710	AXR 400MH4	400143	1487	96.3	96.3	0.85	0.82	727	5.8	241	4560	1.0	2.1	13.3	3420	81
800	AXR 400ML4	400142	1488	96.4	96.4	0.84	0.81	828	6.0	293	5134	1.0	2.1	15.0	3640	81
870	AXR 400ML4	400141	1492	96.7	96.6	0.85	0.83	888	6.0	285	5569	0.9	2.0	18.8	3760	81
900	AXR 450MJ4	450144	1488	96.6	96.6	0.88	0.87	881	5.8	244	5776	0.8	2.2	23.4	4840	81
1000	AXR 450ML4	450143	1490	96.7	96.7	0.87	0.84	997	6.0	317	6411	0.8	2.3	25.3	5050	81
1120	AXR 450MM4	450142	1490	96.8	96.7	0.86	0.83	1130	6.1	383	7179	0.8	2.3	28.2	5360	81
1200	AXR 450MM4	450141	1494	97.0	96.9	0.86	0.84	1202	6.0	384	7670	0.6	2.2	36.3	5550	81
1250	AXR 500MK4	500144	1489	96.9	96.9	0.89	0.88	1209	5.4	307	8017	0.6	2.1	33.8	6380	81
1400	AXR 500MM4	500143	1491	97.0	96.9	0.87	0.85	1381	6.0	430	8969	0.7	2.3	38.6	6750	81
1500	AXR 500MP4	500142	1490	97.1	97.1	0.90	0.88	1442	6.0	379	9613	0.7	2.3	42.3	7110	81
1600	AXR 500MP4	500141	1494	97.2	97.2	0.90	0.89	1530	5.7	363	10230	0.6	2.1	58.6	7400	81

Rib cooled motors, type AXR

Technical data

IP55, IC411, insulation class F, temperature rise class B
690 V, 50 Hz

Output (kW)	Motor type	Product ID	Speed (r/min)	Efficiency		Power factor		Current			Torque			Rotor inertia (kgm ²)	Motor weight (kg)	Sound pressure level L_p (dB(A))
				Full load 100%	3/4 load 75%	Full load 100%	3/4 load 75%	I_N (A)	I_S I_N (pu)	I_0 (A)	T_N (Nm)	T_S T_N (pu)	T_{max} T_N (pu)			
1000 r/min = 6 poles																
690 V 50 Hz																
250	AXR 315MD6	310163	991	95.9	95.9	0.78	0.73	279	5.2	132	2408	0.8	2.1	4.8	1910	73
280	AXR 315MD6	310162	991	95.9	96.1	0.79	0.74	309	5.0	138	2698	0.8	2.0	5.0	1950	73
325	AXR 315ME6	310161	992	96.1	96.2	0.78	0.73	362	5.3	170	3130	0.8	2.1	5.7	2060	73
400	AXR 355MH6	350170	992	95.0	95.9	0.78	0.73	446	5.6	213	3849	0.8	2.2	8.6	2600	74
450	AXR 355MH6	350161	992	96.1	96.1	0.80	0.75	489	5.3	212	4332	0.8	2.1	9.3	2680	74
500	AXR 400MH6	420003	991	96.1	96.1	0.85	0.82	513	5.9	182	4817	0.9	2.2	17.7	3210	74
560	AXR 400MK6	420103	992	96.2	96.1	0.84	0.80	582	6.3	227	5390	1.0	2.3	19.8	3390	74
630	AXR 400ML6	420102	993	96.2	96.1	0.82	0.78	667	6.1	278	6060	0.9	2.3	23.2	3700	74
675	AXR 400ML6	420104	995	96.5	96.3	0.84	0.80	700	6.1	265	6477	0.7	2.1	30.2	3870	74
710	AXR 450MH6	450164	992	96.5	96.5	0.85	0.82	721	5.9	258	6836	0.8	2.3	31.5	4670	77
800	AXR 450MK6	450163	992	96.6	96.6	0.86	0.83	807	5.9	279	7701	0.8	2.3	35.6	4960	77
930	AXR 450MP6	450162	992	96.7	96.8	0.87	0.85	920	6.0	286	8955	0.9	2.2	42.3	5440	77
1000	AXR 450MP6	450161	995	96.9	97.0	0.88	0.86	984	5.9	277	9601	0.8	2.0	55.2	5680	77
1100	AXR 500ML6	500164	992	96.8	96.8	0.87	0.84	1096	5.9	359	10589	0.8	2.3	51.1	6460	77
1250	AXR 500MP6	500163	993	96.9	96.9	0.86	0.83	1251	6.1	432	12026	0.9	2.4	58.3	6920	77
1400	AXR 500MR6	500162	994	97.0	97.0	0.84	0.80	1438	6.1	563	13456	0.8	2.4	66.4	7450	77
1550	AXR 500MR6	500161	996	97.2	97.2	0.86	0.83	1555	6.0	521	14866	0.6	2.2	87.4	7770	77

Rib cooled motors, type AXR

Technical data

IP55, IC411, insulation class F, temperature rise class B
690 V, 50 Hz

Output (kW)	Motor type	Product ID	Speed (r/min)	Efficiency		Power factor		Current			Torque			Rotor inertia (kgm ²)	Motor weight (kg)	Sound pressure level <i>L_p</i> (dB(A))
				Full load 100%	3/4 load 75%	Full load 100%	3/4 load 75%	<i>I_N</i> (A)	<i>I_S</i> <i>I_N</i> (pu)	<i>I₀</i> (A)	<i>T_N</i> (Nm)	<i>T_S</i> <i>T_N</i> (pu)	<i>T_{max}</i> <i>T_N</i> (pu)			
750 r/min = 8 poles																
690 V 50 Hz																
200	AXR 400MC8	400189	741	94.8	94.7	0.80	0.75	220	5.6	101	2578	1.1	2.4	13.1	2730	74
250	AXR 400MC8	400188	738	94.7	95.0	0.83	0.80	266	4.5	99	3236	0.8	1.9	13.1	2740	74
280	AXR 400MC8	400187	740	95.0	95.0	0.79	0.73	313	5.4	150	3613	1.1	2.3	13.1	2740	74
315	AXR 400ME8	400186	741	95.2	95.1	0.79	0.73	351	5.8	169	4060	1.2	2.5	15.7	2970	74
355	AXR 400MG8	400185	741	95.3	95.2	0.79	0.73	395	5.9	192	4574	1.2	2.5	17.1	3080	74
400	AXR 400MH8	400184	741	95.4	95.3	0.79	0.73	445	6.0	217	5153	1.2	2.5	19.0	3250	74
450	AXR 400MK8	400183	741	95.5	95.5	0.80	0.74	495	6.1	236	5796	1.3	2.5	21.9	3510	74
510	AXR 400MM8	400182	742	95.6	95.5	0.77	0.71	579	6.1	299	6563	1.2	2.6	24.3	3730	74
570	AXR 400MM8	400181	745	96.0	95.9	0.79	0.74	625	6.0	286	7310	1.1	2.2	30.2	3860	74
630	AXR 450ML8	450183	743	96.0	95.9	0.81	0.76	679	5.8	299	8099	1.0	2.3	38.9	5090	76
740	AXR 450MP8	450182	743	96.1	96.0	0.80	0.74	808	6.0	376	9507	1.1	2.4	44.8	5510	76
820	AXR 450MP8	450181	745	96.5	96.4	0.81	0.77	873	5.8	363	10506	0.9	2.1	56.7	5730	76
900	AXR 500MM8	500184	743	96.1	95.9	0.80	0.76	974	5.6	425	11560	0.9	2.2	54.2	6550	78
1000	AXR 500MP8	500183	743	96.2	96.1	0.81	0.77	1071	5.5	449	12845	0.9	2.2	61.7	7000	78
1150	AXR 500MR8	500182	744	96.4	96.3	0.81	0.77	1230	5.4	517	14764	0.8	2.2	69.9	7550	78
1250	AXR 500MR8	500181	746	96.7	96.6	0.83	0.80	1306	5.2	478	16004	0.7	1.9	90.3	7850	78

Rib cooled motors, type AXR

Technical data

IP55, IC411, insulation class F, temperature rise class B
690 V, 50 Hz

Output (kW)	Motor type	Product ID	Speed (r/min)	Efficiency		Power factor		Current			Torque			Rotor inertia (kgm ²)	Motor weight (kg)	Sound pressure level <i>L_p</i> (dB(A))
				Full load 100%	3/4 load 75%	Full load 100%	3/4 load 75%	<i>I_N</i> (A)	<i>I_S</i> <i>I_N</i> (pu)	<i>I₀</i> (A)	<i>T_N</i> (Nm)	<i>T_S</i> <i>T_N</i> (pu)	<i>T_{max}</i> <i>T_N</i> (pu)			
600 r/min = 10 poles				690 V 50 Hz												
160	AXR 400MC10	4001108	591	93.7	93.7	0.74	0.68	194	4.2	99	2587	0.8	1.9	13.0	2740	74
200	AXR 400MD10	4001107	591	93.8	93.8	0.73	0.67	245	4.2	129	3233	0.9	1.9	13.8	2800	74
224	AXR 400ME10	4001106	591	94.0	93.9	0.72	0.66	275	4.4	147	3619	0.9	2.0	15.1	2920	74
250	AXR 400MF10	4001105	592	94.1	93.9	0.71	0.64	314	4.6	179	4034	1.0	2.1	16.7	3060	74
280	AXR 400MH10	4001104	592	94.3	94.1	0.72	0.66	345	4.6	189	4519	1.0	2.1	18.9	3250	74
315	AXR 400MK10	4001103	592	94.4	94.3	0.73	0.66	385	4.6	208	5083	1.0	2.0	21.3	3470	74
355	AXR 400MM10	4001102	592	94.5	94.4	0.73	0.66	433	4.7	234	5727	1.0	2.1	24.3	3730	74
400	AXR 400MM10	4001101	595	95.1	95.0	0.74	0.69	475	4.4	232	6422	0.8	1.8	30.6	3870	74
450	AXR 450MK10	4501104	593	95.6	95.6	0.75	0.69	527	4.5	263	7244	0.9	1.9	35.6	4860	75
530	AXR 450MM10	4501103	593	95.7	95.8	0.75	0.70	614	4.5	297	8533	0.9	1.9	40.3	5190	75
580	AXR 450MP10	4501102	594	95.8	95.7	0.73	0.67	690	4.9	367	9326	1.0	2.1	45.0	5500	75
640	AXR 450MP10	4501101	596	96.2	96.1	0.75	0.70	742	4.7	363	10256	0.8	1.9	56.9	5720	75
710	AXR 500MM10	5001105	594	95.9	95.9	0.76	0.70	820	4.7	399	11422	0.9	2.0	54.6	6520	75
800	AXR 500MN10	5001104	593	96.0	96.0	0.76	0.71	915	4.6	432	12874	0.9	1.9	59.7	6820	75
870	AXR 500MQ10	5001103	593	96.0	96.1	0.77	0.72	988	4.7	460	13999	0.9	1.9	66.8	7230	75
940	AXR 500MR10	5001102	594	96.1	96.1	0.76	0.70	1081	4.9	529	15115	0.9	2.0	72.6	7570	75
1050	AXR 500MR10	5001101	596	96.6	96.5	0.77	0.73	1176	4.8	532	16823	0.7	1.9	90.1	7830	75

Rib cooled motors, type AXR

Technical data

IP55, IC411, insulation class F, temperature rise class B
690 V, 50 Hz

Output (kW)	Motor type	Product ID	Speed (r/min)	Efficiency		Power factor		Current			Torque			Rotor inertia (kgm ²)	Motor weight (kg)	Sound pressure level <i>L_p</i> (dB(A))
				Full load 100%	3/4 load 75%	Full load 100%	3/4 load 75%	<i>I_N</i> (A)	<i>I_S</i> <i>I_N</i> (pu)	<i>I₀</i> (A)	<i>T_N</i> (Nm)	<i>T_S</i> <i>T_N</i> (pu)	<i>T_{max}</i> <i>T_N</i> (pu)			
500 r/min = 12 poles																
690 V 50 Hz																
140	AXR 400MD12	4001128	491	92.8	92.6	0.68	0.61	185	4.0	109	2724	0.9	1.9	13.1	2730	74
160	AXR 400MD12	4001127	491	92.9	92.8	0.68	0.61	212	4.0	126	3113	1.0	1.9	13.9	2810	74
180	AXR 400ME12	4001126	491	93.1	93.0	0.68	0.61	237	4.0	139	3502	1.0	1.9	15.2	2920	74
200	AXR 400MG12	4001125	491	93.3	93.1	0.68	0.61	265	4.1	158	3889	1.0	2.0	16.6	3050	74
224	AXR 400MH12	4001124	492	93.5	93.2	0.67	0.59	300	4.3	185	4350	1.1	2.1	19.0	3260	74
250	AXR 400MK12	4001123	492	93.6	93.3	0.68	0.61	330	4.3	198	4855	1.1	2.1	21.8	3500	74
280	AXR 400MM12	4001122	492	93.7	93.4	0.67	0.60	373	4.4	229	5434	1.1	2.1	24.5	3740	74
320	AXR 400MM12	4001121	495	94.5	94.2	0.69	0.62	412	4.3	240	6170	0.8	2.0	30.6	3870	74
355	AXR 450MM12	4501123	493	94.3	94.0	0.69	0.62	458	4.4	270	6874	0.9	2.1	40.4	5130	74
410	AXR 450MQ12	4501122	493	94.4	94.1	0.68	0.61	532	4.5	318	7934	1.0	2.2	47.0	5580	74
460	AXR 450MQ12	4501121	495	95.0	94.7	0.71	0.65	574	4.2	310	8866	0.8	1.8	57.6	5770	74
500	AXR 500ML12	5001125	494	95.0	94.8	0.70	0.64	630	3.9	342	9658	0.7	1.8	50.8	6370	74
560	AXR 500MP12	5001124	495	94.9	94.6	0.70	0.63	710	4.2	396	10812	0.8	1.9	60.1	6870	74
630	AXR 500MR12	5001123	494	95.0	94.7	0.71	0.65	784	4.2	422	12167	0.8	1.8	68.4	7360	74
670	AXR 500MS12	5001122	495	95.0	94.6	0.68	0.61	863	4.5	505	12924	0.9	2.0	74.1	7690	74
750	AXR 500MS12	5001121	497	95.6	95.2	0.69	0.63	948	4.3	528	14418	0.7	1.9	93.7	7980	74

Rib cooled motors, type AXR

Technical data

IP55, IC411, insulation class F, temperature rise class B
3000 V, 50 Hz

Output (kW)	Motor type	Product ID	Speed (r/min)	Efficiency		Power factor		Current			Torque			Rotor inertia (kgm ²)	Motor weight (kg)	Sound pressure level <i>L_p</i> (dB(A))
				Full load 100%	3/4 load 75%	Full load 100%	3/4 load 75%	<i>I_N</i> (A)	<i>I_S</i> <i>I_N</i> (pu)	<i>I₀</i> (A)	<i>T_N</i> (Nm)	<i>T_S</i> <i>T_N</i> (pu)	<i>T_{max}</i> <i>T_N</i> (pu)			
3000 r/min = 2 poles				690 V 50 Hz												
125	AXR 315MA2	310329	2972	94.7	94.4	0.91	0.90	28	5.7	6	402	0.7	2.4	1.7	1670	80
160	AXR 315MA2	310328	2968	94.9	94.9	0.91	0.91	35	5.5	7	515	0.7	2.3	1.7	1670	80
200	AXR 315MA2	310327	2965	95.1	95.2	0.91	0.91	44	5.2	8	644	0.7	2.1	1.7	1680	80
250	AXR 315MB2	310326	2968	95.5	95.7	0.90	0.89	56	5.3	12	804	0.7	2.2	1.8	1710	80
280	AXR 315MB2	310325	2969	95.7	95.9	0.90	0.89	62	5.6	14	901	0.7	2.3	2.0	1760	80
315	AXR 315MC2	310324	2970	95.9	96.1	0.90	0.89	70	5.6	15	1013	0.7	2.3	2.2	1840	80
355	AXR 315MD2	310323	2972	96.1	96.3	0.90	0.89	78	5.8	17	1141	0.7	2.3	2.4	1920	80
380	AXR 315ME2	310322	2973	96.2	96.4	0.91	0.90	84	5.7	17	1221	0.7	2.3	2.7	2000	80
400	AXR 315ME2	310321	2981	96.5	96.6	0.91	0.90	87	5.8	16	1281	0.7	2.2	3.7	2070	80
450	AXR 355ME2	350324	2973	96.1	96.2	0.91	0.90	99	6.0	21	1445	0.8	2.3	4.0	2350	80
500	AXR 355MF2	350323	2973	96.2	96.4	0.91	0.90	109	6.0	22	1606	0.8	2.4	4.3	2440	80
530	AXR 355MG2	350322	2974	96.4	96.4	0.91	0.90	116	6.1	24	1702	0.8	2.4	4.6	2540	80
560	AXR 355MG2	350321	2982	96.6	96.7	0.91	0.90	122	6.0	23	1793	0.7	2.2	6.1	2610	80
630	AXR 400MF2	400325	2976	96.5	96.6	0.91	0.91	137	5.8	25	2022	0.8	2.3	7.5	3200	81
710	AXR 400MH2	400324	2978	96.7	96.8	0.92	0.92	153	6.0	25	2277	0.8	2.3	8.4	3430	81
800	AXR 400MK2	400323	2977	96.8	96.9	0.92	0.92	172	6.1	27	2566	0.9	2.3	9.4	3670	81
840	AXR 400ML2	400322	2978	96.9	96.9	0.91	0.91	182	6.2	33	2693	0.8	2.3	9.8	3750	81
900	AXR 400ML2	400321	2986	97.2	97.2	0.91	0.91	194	6.1	33	2878	0.7	2.2	12.6	3870	81
1000	AXR 450MM2	450323	2980	96.9	96.9	0.92	0.91	216	6.1	37	3204	0.7	2.5	16.7	5300	81
1100	AXR 450MN2	450322	2981	97.0	97.0	0.91	0.90	239	6.3	46	3524	0.7	2.5	18.1	5540	81
1130	AXR 450MN2	450321	2986	97.2	97.1	0.90	0.90	246	6.1	45	3614	0.6	2.3	22.8	5700	81
1250	AXR 500MN2	500323	2983	96.9	96.9	0.92	0.92	267	5.8	45	4001	0.6	2.2	25.3	6740	81
1500	AXR 500MR2	500322	2984	97.1	97.1	0.92	0.92	320	6.0	53	4800	0.6	2.2	30.4	7470	81
1550	AXR 500MR2	500321	2987	97.3	97.2	0.92	0.92	332	5.9	53	4955	0.6	2.1	39.2	7690	81

Rib cooled motors, type AXR

Technical data

IP55, IC411, insulation class F, temperature rise class B
3000 V, 50 Hz

Output (kW)	Motor type	Product ID	Speed (r/min)	Efficiency		Power factor		Current			Torque			Rotor inertia (kgm ²)	Motor weight (kg)	Sound pressure level <i>L_p</i> (dB(A))
				Full load 100%	3/4 load 75%	Full load 100%	3/4 load 75%	<i>I_N</i> (A)	<i>I_S</i> <i>I_N</i> (pu)	<i>I₀</i> (A)	<i>T_N</i> (Nm)	<i>T_S</i> <i>T_N</i> (pu)	<i>T_{max}</i> <i>T_N</i> (pu)			
1500 r/min = 4 poles																
3000 V 50 Hz																
125	AXR 315MA4	310349	1481	94.5	94.4	0.85	0.82	30	5.3	11	806	0.9	2.2	2.8	1650	76
160	AXR 315MA4	310348	1482	94.9	94.8	0.83	0.79	39	5.7	15	1031	1.0	2.3	2.8	1650	76
200	AXR 315MA4	310347	1481	95.0	95.1	0.83	0.79	49	5.7	20	1290	1.0	2.3	2.8	1660	76
224	AXR 315MB4	310346	1481	95.2	95.2	0.83	0.79	54	5.7	21	1445	1.0	2.3	3.0	1700	76
250	AXR 315MB4	310345	1481	95.4	95.4	0.83	0.78	61	5.8	25	1611	1.1	2.3	3.2	1750	76
280	AXR 315MC4	310344	1481	95.4	95.5	0.84	0.80	67	5.8	26	1805	1.1	2.3	3.6	1800	76
315	AXR 315MD4	310343	1481	95.6	95.8	0.85	0.82	75	5.9	27	2031	1.1	2.3	4.0	1900	76
360	AXR 315ME4	310342	1482	95.8	95.9	0.84	0.80	86	5.9	33	2319	1.1	2.3	4.5	2000	76
400	AXR 315ME4	310341	1490	96.2	96.3	0.84	0.81	95	5.7	34	2564	0.9	2.0	5.7	2060	76
450	AXR 355MF4	350343	1484	95.9	95.9	0.85	0.82	106	5.7	37	2895	1.0	2.2	6.4	2430	79
530	AXR 355MH4	350342	1486	96.1	96.1	0.85	0.81	125	6.1	46	3407	1.1	2.3	7.4	2610	79
570	AXR 355MH4	350341	1489	96.3	96.3	0.85	0.83	133	5.9	44	3654	1.0	2.1	9.4	2700	79
630	AXR 400MG4	400344	1487	96.3	96.2	0.87	0.84	145	6.0	49	4045	0.9	2.3	11.9	3260	81
710	AXR 400MJ4	400343	1487	96.4	96.4	0.88	0.85	162	5.9	50	4560	0.9	2.3	13.6	3490	81
800	AXR 400MM4	400342	1487	96.5	96.5	0.88	0.86	181	5.9	54	5138	0.9	2.2	15.4	3760	81
900	AXR 400MM4	400341	1492	96.8	96.8	0.88	0.87	203	6.0	53	5760	0.8	2.0	20.5	3910	81
1000	AXR 450ML4	450343	1489	96.7	96.6	0.87	0.84	230	5.9	73	6412	0.8	2.2	26.8	5150	81
1120	AXR 450MP4	450342	1490	96.8	96.7	0.86	0.83	260	5.9	88	7177	0.8	2.2	30.1	5500	81
1200	AXR 450MP4	450341	1494	97.0	96.8	0.86	0.84	275	6.0	85	7672	0.7	2.1	38.5	5710	81
1250	AXR 500MK4	500345	1490	96.9	96.8	0.88	0.85	284	5.9	88	8010	0.7	2.3	34.4	6340	81
1400	AXR 500MN4	500344	1490	97.0	96.9	0.88	0.86	314	5.9	91	8972	0.7	2.3	39.1	6750	81
1500	AXR 500MP4	500343	1491	97.0	97.0	0.88	0.85	340	5.9	103	9609	0.7	2.2	42.9	7070	81
1650	AXR 500MR4	500342	1491	97.1	97.0	0.87	0.85	375	6.1	120	10565	0.7	2.3	47.3	7440	81
1750	AXR 500MR4	500341	1495	97.2	97.1	0.88	0.86	393	6.2	114	11182	0.6	2.2	63.0	7730	81

Rib cooled motors, type AXR

Technical data

IP55, IC411, insulation class F, temperature rise class B
3000 V, 50 Hz

Output (kW)	Motor type	Product ID	Speed (r/min)	Efficiency		Power factor		Current			Torque			Rotor inertia (kgm ²)	Motor weight (kg)	Sound pressure level <i>L_p</i> (dB(A))
				Full load 100%	3/4 load 75%	Full load 100%	3/4 load 75%	<i>I_N</i> (A)	<i>I_S</i> <i>I_N</i> (pu)	<i>I₀</i> (A)	<i>T_N</i> (Nm)	<i>T_S</i> <i>T_N</i> (pu)	<i>T_{max}</i> <i>T_N</i> (pu)			
1000 r/min = 6 poles																
3000 V 50 Hz																
125	AXR 315MA6	310367	986	94.6	94.6	0.78	0.73	32	5.2	16	1210	1.0	2.3	2.7	1640	73
160	AXR 315MB6	310366	986	94.8	94.9	0.78	0.72	42	5.2	21	1549	1.0	2.3	3.0	1690	73
200	AXR 315MC6	310365	987	95.1	95.2	0.77	0.70	53	5.4	27	1935	1.1	2.3	3.4	1780	73
224	AXR 315MD6	310364	987	95.3	95.4	0.77	0.71	59	5.5	30	2167	1.1	2.3	3.8	1870	73
250	AXR 315ME6	310363	986	95.2	95.4	0.79	0.74	64	5.2	29	2421	1.0	2.2	4.1	1930	73
280	AXR 315MF6	310362	987	95.4	95.6	0.78	0.72	72	5.5	35	2709	1.1	2.3	4.5	2020	73
315	AXR 315MF6	310361	992	95.9	96.0	0.80	0.75	79	5.3	35	3034	0.8	2.0	6.0	2080	73
355	AXR 355MG6	350363	987	95.3	95.4	0.80	0.75	89	5.3	40	3434	1.0	2.2	6.9	2500	74
380	AXR 355MH6	350362	987	95.4	95.5	0.80	0.75	96	5.4	44	3675	1.0	2.2	7.4	2590	74
420	AXR 355MH6	350361	991	95.8	95.9	0.81	0.78	104	5.0	40	4048	0.9	1.8	9.5	2670	74
450	AXR 400MG6	420007	992	95.9	95.9	0.85	0.81	107	5.9	40	4333	0.9	2.2	17.7	3180	74
500	AXR 400MJ6	420006	993	96.0	95.9	0.82	0.78	122	6.0	51	4809	0.8	2.3	20.2	3400	74
560	AXR 400ML6	420009	993	96.1	96.0	0.83	0.79	135	6.1	54	5387	0.8	2.3	22.8	3630	74
630	AXR 400MM6	420008	994	96.3	96.3	0.85	0.83	148	5.9	48	6050	0.9	1.9	30.4	3850	74
710	AXR 450MJ6	450364	992	96.4	96.4	0.86	0.82	166	5.9	59	6834	0.8	2.3	32.7	4700	77
800	AXR 450ML6	450363	992	96.5	96.6	0.87	0.85	183	5.9	58	7704	0.9	2.3	37.8	5050	77
950	AXR 450MP6	450362	993	96.7	96.7	0.85	0.82	222	6.0	81	9138	0.8	2.3	43.7	5490	77
1000	AXR 450MP6	450361	995	96.8	96.8	0.86	0.84	231	5.8	75	9599	0.8	2.1	55.9	5730	77
1120	AXR 500MM6	500364	993	96.8	96.8	0.83	0.79	268	5.9	108	10766	0.8	2.4	51.4	6500	77
1250	AXR 500MP6	500363	994	96.9	96.9	0.83	0.78	300	6.0	125	12012	0.8	2.4	58.4	6910	77
1450	AXR 500MS6	500362	994	97.0	97.0	0.83	0.79	345	6.0	139	13933	0.8	2.4	69.7	7600	77
1570	AXR 500MS6	500361	996	97.2	97.2	0.85	0.82	365	6.1	127	15053	0.7	2.2	92.7	7950	77

Rib cooled motors, type AXR

Technical data

IP55, IC411, insulation class F, temperature rise class B
3000 V, 50 Hz

Output (kW)	Motor type	Product ID	Speed (r/min)	Efficiency		Power factor		Current			Torque			Rotor inertia (kgm ²)	Motor weight (kg)	Sound pressure level <i>L_p</i> (dB(A))
				Full load 100%	3/4 load 75%	Full load 100%	3/4 load 75%	<i>I_N</i> (A)	<i>I_S</i> <i>I_N</i> (pu)	<i>I₀</i> (A)	<i>T_N</i> (Nm)	<i>T_S</i> <i>T_N</i> (pu)	<i>T_{max}</i> <i>T_N</i> (pu)			
750 r/min = 8 poles																
3000 V 50 Hz																
200	AXR 400MC8	400389	740	94.4	94.5	0.81	0.77	50	5.0	21	2581	0.9	2.2	13.0	2720	74
224	AXR 400MB8	400388	739	94.3	94.6	0.83	0.79	55	4.7	21	2896	0.8	2.0	13.1	2720	74
250	AXR 400MC8	400387	740	94.5	94.6	0.80	0.75	64	5.2	29	3226	1.0	2.2	13.1	2720	74
280	AXR 400MD8	400386	741	94.8	94.8	0.79	0.73	72	5.4	34	3610	1.0	2.3	14.4	2840	74
315	AXR 400MF8	400385	741	95.0	94.9	0.79	0.73	81	5.7	40	4058	1.1	2.5	16.5	3030	74
355	AXR 400MH8	400384	741	95.0	95.1	0.81	0.76	89	5.4	39	4577	1.0	2.3	19.0	3230	74
400	AXR 400MK8	400383	742	95.2	95.1	0.78	0.72	104	5.9	52	5148	1.1	2.6	21.6	3470	74
450	AXR 400MM8	400382	742	95.3	95.2	0.78	0.72	116	5.8	58	5791	1.1	2.5	24.2	3700	74
500	AXR 400MM8	400381	745	95.8	95.7	0.80	0.75	125	5.8	56	6412	1.0	2.2	30.2	3830	74
560	AXR 450MK8	450384	742	95.9	95.9	0.83	0.79	136	5.0	52	7204	0.8	2.0	34.9	4810	76
630	AXR 450MM8	450383	742	96.0	96.1	0.83	0.80	152	5.0	56	8104	0.8	2.0	39.5	5130	76
710	AXR 450MQ8	450382	744	96.1	96.0	0.81	0.76	176	5.8	77	9117	1.0	2.3	44.9	5500	76
780	AXR 450MQ8	450381	745	96.4	96.3	0.83	0.79	187	5.7	73	9991	0.8	2.2	57.8	5730	76
900	AXR 500MN8	500384	744	96.2	96.1	0.82	0.77	220	5.7	92	11557	1.0	2.3	55.2	6570	78
1000	AXR 500MQ8	500383	743	96.3	96.2	0.83	0.79	240	5.6	94	12845	0.9	2.2	63.3	7040	78
1170	AXR 500MS8	500382	744	96.4	96.3	0.80	0.75	292	5.9	133	15009	1.0	2.4	73.5	7670	78
1280	AXR 500MS8	500381	746	96.7	96.5	0.83	0.78	308	6.1	126	16384	0.8	2.3	93.8	7970	78

Rib cooled motors, type AXR

Technical data

IP55, IC411, insulation class F, temperature rise class B
3000 V, 50 Hz

Output (kW)	Motor type	Product ID	Speed (r/min)	Efficiency		Power factor		Current			Torque			Rotor inertia (kgm ²)	Motor weight (kg)	Sound pressure level <i>L_p</i> (dB(A))
				Full load 100%	3/4 load 75%	Full load 100%	3/4 load 75%	<i>I_N</i> (A)	<i>I_S</i> <i>I_N</i> (pu)	<i>I₀</i> (A)	<i>T_N</i> (Nm)	<i>T_S</i> <i>T_N</i> (pu)	<i>T_{max}</i> <i>T_N</i> (pu)			
600 r/min = 10 poles																
3000 V 50 Hz																
160	AXR 400MD10	4003107	591	93.2	92.9	0.71	0.64	47	4.8	27	2584	1.1	2.2	13.2	2710	74
200	AXR 400ME10	4003106	591	93.5	93.3	0.71	0.65	58	4.8	33	3230	1.1	2.2	15.4	2910	74
224	AXR 400MF10	4003105	591	93.7	93.4	0.71	0.64	65	4.8	37	3617	1.1	2.2	16.7	3020	74
250	AXR 400MG10	4003104	592	93.8	93.6	0.71	0.64	72	4.9	41	4035	1.1	2.2	18.7	3190	74
280	AXR 400MK10	4003103	592	94.0	93.7	0.71	0.64	81	5.1	47	4517	1.2	2.3	21.1	3400	74
330	AXR 400MM10	4003102	592	94.2	93.9	0.72	0.65	94	5.1	54	5324	1.2	2.3	24.7	3710	74
370	AXR 400MM10	4003101	595	94.8	94.5	0.73	0.67	103	4.8	54	5940	0.9	1.9	30.3	3840	74
400	AXR 450MH10	4503105	593	95.3	95.4	0.75	0.69	108	4.5	54	6440	0.9	1.9	32.1	4560	75
450	AXR 450MK10	4503104	593	95.4	95.5	0.75	0.70	121	4.5	60	7244	0.9	1.9	36.0	4830	75
500	AXR 450MM10	4503103	594	95.6	95.6	0.75	0.69	134	4.7	68	8045	0.9	2.0	40.7	5160	75
560	AXR 450MP10	4503102	594	95.6	95.5	0.73	0.66	154	5.0	84	9001	1.0	2.1	45.4	5470	75
610	AXR 450MP10	4503101	596	96.0	95.9	0.75	0.69	164	4.8	83	9772	0.8	2.0	57.4	5680	75
710	AXR 500MM10	5003104	594	95.8	95.8	0.76	0.71	187	4.7	89	11423	0.9	1.9	55.8	6520	75
800	AXR 500MQ10	5003103	594	95.9	95.9	0.76	0.71	210	4.8	101	12866	0.9	2.0	64.9	7030	75
930	AXR 500MS10	5003102	594	96.0	96.0	0.76	0.71	245	5.0	119	14951	0.9	2.0	76.4	7700	75
1030	AXR 500MS10	5003101	596	96.4	96.4	0.77	0.73	267	4.6	116	16501	0.8	1.7	94.8	7970	75
500 r/min = 12 poles																
3000 V 50 Hz																
140	AXR 400MD12	4003127	492	92.5	92.1	0.65	0.57	45	4.3	29	2717	1.1	2.2	13.6	2760	74
160	AXR 400ME12	4003126	492	92.7	92.4	0.66	0.59	50	4.2	31	3107	1.0	2.1	15.0	2880	74
180	AXR 400MF12	4003125	492	92.9	92.7	0.67	0.60	55	4.2	34	3496	1.0	2.1	16.6	3020	74
200	AXR 400MH12	4003124	492	93.1	92.9	0.68	0.60	61	4.3	37	3883	1.0	2.1	18.8	3210	74
224	AXR 400MK12	4003123	492	93.3	93.0	0.68	0.60	68	4.4	41	4347	1.1	2.1	21.5	3440	74
260	AXR 400MM12	4003122	492	93.4	93.1	0.67	0.60	80	4.5	49	5043	1.1	2.2	24.5	3700	74
300	AXR 400MM12	4003121	495	94.3	94.0	0.69	0.62	89	4.4	51	5783	0.8	2.0	30.6	3840	74
315	AXR 450ML12	4503124	493	94.1	93.8	0.70	0.63	92	4.3	53	6102	0.9	2.1	38.2	4950	74
355	AXR 450MN12	4503123	493	94.2	94.0	0.71	0.65	101	4.2	55	6882	0.8	2.0	42.6	5250	74
390	AXR 450MQ12	4503122	493	94.3	94.1	0.72	0.66	111	4.2	59	7561	0.8	1.9	47.0	5550	74
430	AXR 450MQ12	4503121	496	94.8	94.4	0.70	0.64	124	4.4	69	8285	0.9	1.9	57.6	5710	74
450	AXR 500MK12	5003126	494	94.6	94.5	0.72	0.67	127	3.8	65	8703	0.7	1.7	48.1	6110	74
500	AXR 500MM12	5003125	494	94.7	94.4	0.71	0.65	144	4.1	78	9658	0.8	1.8	55.7	6540	74
560	AXR 500MP12	5003124	494	94.8	94.6	0.72	0.67	157	3.9	79	10825	0.7	1.7	62.0	6910	74
620	AXR 500MR12	5003123	494	94.9	94.6	0.72	0.67	174	4.1	89	11977	0.7	1.8	72.2	7490	74
660	AXR 500MS12	5003122	494	94.9	94.6	0.72	0.66	186	4.1	97	12747	0.8	1.8	76.6	7750	74
740	AXR 500MS12	5003121	497	95.4	95.1	0.70	0.64	213	4.2	116	14226	0.7	1.9	96.9	8060	74

Rib cooled motors, type AXR

Technical data

IP55, IC411, insulation class F, temperature rise class B
6000 V, 50 Hz

Output (kW)	Motor type	Product ID	Speed (r/min)	Efficiency		Power factor		Current			Torque			Rotor inertia (kgm ²)	Motor weight (kg)	Sound pressure level <i>L_p</i> (dB(A))
				Full load 100%	3/4 load 75%	Full load 100%	3/4 load 75%	<i>I_N</i> (A)	<i>I_S</i> <i>I_N</i> (pu)	<i>I₀</i> (A)	<i>T_N</i> (Nm)	<i>T_S</i> <i>T_N</i> (pu)	<i>T_{max}</i> <i>T_N</i> (pu)			
3000 r/min = 2 poles																
6000 V 50 Hz																
160	AXR 315MB2	310629	2974	94.7	94.4	0.86	0.82	19	6.5	6	514	0.9	2.9	2.1	1720	80
180	AXR 315MB2	310628	2970	94.7	94.6	0.87	0.84	21	6.0	6	579	0.9	2.6	2.1	1720	80
200	AXR 315MB2	310627	2968	94.8	94.8	0.88	0.86	23	5.8	6	643	0.8	2.4	2.1	1720	80
224	AXR 315MB2	310626	2971	95.0	95.1	0.89	0.87	25	5.8	7	720	0.8	2.3	2.0	1720	80
250	AXR 315MC2	310625	2968	95.3	95.4	0.89	0.87	28	5.8	7	804	0.9	2.3	2.2	1770	80
280	AXR 315MC2	310624	2969	95.5	95.6	0.89	0.88	31	5.7	7	900	0.8	2.2	2.3	1800	80
315	AXR 315MD2	310623	2971	95.7	95.9	0.89	0.88	35	6.0	8	1012	0.9	2.3	2.5	1890	80
355	AXR 315ME2	310622	2975	96.0	96.2	0.90	0.88	39	6.0	9	1139	0.7	2.3	2.6	1950	80
370	AXR 315ME2	310621	2983	96.2	96.4	0.90	0.89	41	5.9	9	1185	0.7	2.2	3.6	2010	80
400	AXR 355ME2	350624	2970	95.7	95.9	0.91	0.90	44	5.9	9	1286	0.9	2.3	4.0	2290	80
450	AXR 355MF2	350623	2971	95.9	96.0	0.90	0.89	50	6.0	11	1446	0.9	2.3	4.5	2420	80
500	AXR 355MG2	350622	2974	96.1	96.2	0.90	0.89	55	6.0	12	1606	0.8	2.3	4.7	2510	80
530	AXR 355MG2	350621	2983	96.5	96.5	0.91	0.90	58	6.1	12	1696	0.7	2.2	6.1	2590	80
560	AXR 400MF2	400625	2975	96.3	96.4	0.91	0.91	61	5.8	10	1797	0.8	2.2	7.5	3170	81
630	AXR 400MG2	400624	2977	96.5	96.6	0.92	0.92	68	5.9	11	2021	0.8	2.3	7.9	3280	81
700	AXR 400MJ2	400623	2979	96.6	96.7	0.92	0.91	76	6.0	13	2244	0.8	2.3	8.9	3500	81
770	AXR 400ML2	400622	2978	96.7	96.8	0.92	0.92	83	6.1	13	2469	0.9	2.3	9.6	3680	81
800	AXR 400ML2	400621	2984	96.9	97.0	0.92	0.93	85	6.0	13	2560	0.7	2.2	12.7	3810	81
900	AXR 450MK2	450624	2980	96.7	96.8	0.91	0.91	98	5.9	18	2884	0.6	2.4	15.6	5030	81
1000	AXR 450MM2	450623	2980	96.8	96.9	0.90	0.90	110	5.9	20	3204	0.6	2.4	17.5	5330	81
1050	AXR 450MN2	450622	2982	96.9	96.9	0.90	0.89	115	6.5	23	3362	0.7	2.6	18.1	5460	81
1100	AXR 450MN2	450621	2986	97.1	97.1	0.90	0.90	120	6.3	23	3517	0.6	2.4	22.6	5610	81
1250	AXR 500MP2	500623	2984	96.9	96.8	0.92	0.92	134	5.9	23	4000	0.6	2.3	26.9	6880	81
1450	AXR 500MR2	500622	2985	97.1	97.0	0.92	0.92	155	6.1	27	4639	0.6	2.3	30.1	7370	81
1500	AXR 500MR2	500621	2988	97.2	97.1	0.92	0.92	161	6.0	27	4795	0.6	2.1	38.8	7580	81

Rib cooled motors, type AXR

Technical data

IP55, IC411, insulation class F, temperature rise class B
6000 V, 50 Hz

Output (kW)	Motor type	Product ID	Speed (r/min)	Efficiency		Power factor		Current			Torque			Rotor inertia (kgm ²)	Motor weight (kg)	Sound pressure level <i>L_p</i> (dB(A))
				Full load 100%	3/4 load 75%	Full load 100%	3/4 load 75%	<i>I_N</i> (A)	<i>I_S</i> <i>I_N</i> (pu)	<i>I₀</i> (A)	<i>T_N</i> (Nm)	<i>T_S</i> <i>T_N</i> (pu)	<i>T_{max}</i> <i>T_N</i> (pu)			
1500 r/min = 4 poles																
6000 V 50 Hz																
160	AXR 315MB4	310648	1483	94.3	94.0	0.77	0.70	21	6.0	11	1030	1.0	2.6	3.1	1680	76
200	AXR 315MB4	310647	1484	94.7	94.6	0.81	0.76	25	6.0	11	1287	1.1	2.4	3.0	1670	76
224	AXR 315MC4	310646	1483	95.0	95.0	0.82	0.78	28	5.9	12	1443	1.1	2.3	3.3	1730	76
250	AXR 315MC4	310645	1484	95.2	95.2	0.82	0.77	31	5.9	13	1609	1.1	2.3	3.4	1770	76
280	AXR 315MD4	310644	1483	95.3	95.4	0.84	0.80	34	5.9	13	1803	1.2	2.3	3.7	1820	76
315	AXR 315ME4	310643	1484	95.6	95.6	0.82	0.77	39	5.9	16	2026	1.1	2.3	4.1	1910	76
340	AXR 315ME4	310642	1486	95.8	95.8	0.81	0.76	42	6.1	19	2185	1.0	2.4	4.2	1950	76
370	AXR 315ME4	310641	1490	96.0	96.0	0.83	0.79	45	6.1	18	2371	0.9	2.3	5.6	2020	76
400	AXR 355MF4	350645	1485	95.6	95.6	0.85	0.82	47	6.0	17	2572	1.1	2.3	6.2	2360	79
450	AXR 355MG4	350644	1486	95.8	95.8	0.84	0.80	54	6.0	20	2892	1.0	2.3	6.9	2490	79
480	AXR 355MH4	350643	1486	95.8	95.8	0.83	0.79	58	6.2	24	3084	1.1	2.4	7.3	2560	79
530	AXR 355MH4	350641	1490	96.1	96.0	0.84	0.81	63	6.0	23	3396	1.0	2.1	9.2	2640	79
560	AXR 400MF4	400646	1487	96.0	96.0	0.88	0.87	63	5.8	18	3597	0.8	2.2	11.0	3090	81
630	AXR 400MH4	400645	1488	96.2	96.2	0.88	0.85	72	6.0	22	4043	0.8	2.2	12.3	3280	81
710	AXR 400MK4	400644	1488	96.4	96.4	0.88	0.86	81	5.9	24	4557	0.8	2.2	13.7	3490	81
780	AXR 400ML4	400643	1489	96.5	96.5	0.87	0.85	89	5.9	27	5004	0.8	2.2	15.0	3680	81
850	AXR 400ML4	400641	1493	96.7	96.7	0.88	0.86	97	5.9	28	5438	0.7	2.0	20.1	3840	81
900	AXR 450MK4	450644	1489	96.6	96.5	0.87	0.85	103	5.9	31	5771	0.8	2.2	24.2	4880	81
1000	AXR 450MM4	450643	1490	96.6	96.5	0.85	0.82	117	5.9	41	6407	0.8	2.2	27.9	5210	81
1080	AXR 450MN4	450642	1490	96.6	96.5	0.85	0.82	127	5.8	44	6922	0.8	2.1	29.9	5410	81
1170	AXR 450MN4	450641	1494	96.9	96.7	0.86	0.83	135	6.0	44	7479	0.7	2.1	37.7	5600	81
1250	AXR 500ML4	500644	1490	96.8	96.8	0.88	0.85	142	5.9	44	8010	0.7	2.3	34.8	6340	81
1400	AXR 500MN4	500643	1491	96.9	96.9	0.88	0.85	159	6.1	50	8968	0.7	2.3	40.7	6810	81
1600	AXR 500MR4	500642	1492	97.0	97.0	0.87	0.84	183	6.3	62	10243	0.7	2.4	47.0	7350	81
1700	AXR 500MR4	500641	1495	97.2	97.0	0.88	0.85	192	6.3	59	10861	0.6	2.3	62.4	7640	81

Rib cooled motors, type AXR

Technical data

IP55, IC411, insulation class F, temperature rise class B
6000 V, 50 Hz

Output (kW)	Motor type	Product ID	Speed (r/min)	Efficiency		Power factor		Current			Torque			Rotor inertia (kgm ²)	Motor weight (kg)	Sound pressure level <i>L_p</i> (dB(A))
				Full load 100%	3/4 load 75%	Full load 100%	3/4 load 75%	<i>I_N</i> (A)	<i>I_S</i> <i>I_N</i> (pu)	<i>I₀</i> (A)	<i>T_N</i> (Nm)	<i>T_S</i> <i>T_N</i> (pu)	<i>T_{max}</i> <i>T_N</i> (pu)			
1000 r/min = 6 poles																
6000 V 50 Hz																
140	AXR 315MD6	310666	989	94.4	94.0	0.72	0.63	20	6.2	12	1352	1.1	3.1	3.8	1820	73
160	AXR 315MD6	310665	988	94.4	94.3	0.75	0.68	22	6.0	12	1547	1.1	2.8	3.8	1820	73
180	AXR 315MD6	310664	987	94.5	94.5	0.76	0.69	24	6.0	13	1742	1.1	2.7	4.0	1860	73
200	AXR 315ME6	310663	987	94.7	94.7	0.76	0.69	27	6.1	14	1936	1.2	2.8	4.2	1900	73
240	AXR 315ME6	310662	988	95.0	95.1	0.77	0.71	32	5.7	16	2320	1.1	2.4	4.3	1940	73
265	AXR 315ME6	310661	992	95.4	95.5	0.79	0.73	34	5.5	16	2550	0.9	2.2	5.7	2000	73
280	AXR 355MF6	350664	988	94.9	94.9	0.80	0.74	36	5.5	17	2707	1.0	2.3	6.3	2340	74
315	AXR 355MH6	350663	989	95.1	95.1	0.79	0.73	40	5.7	19	3043	1.1	2.4	7.0	2490	74
350	AXR 355MH6	350662	989	95.2	95.2	0.79	0.73	45	5.8	22	3381	1.1	2.4	7.3	2550	74
380	AXR 355MH6	350661	992	95.5	95.5	0.80	0.76	48	5.4	20	3659	1.0	2.0	9.4	2630	74
400	AXR 400MG6	420019	991	95.6	95.4	0.79	0.74	51	5.9	24	3855	1.0	2.4	11.6	3120	74
450	AXR 400MH6	420018	990	95.7	95.6	0.82	0.77	55	5.9	24	4339	1.0	2.4	13.0	3310	74
500	AXR 400MK6	420016	990	95.8	95.7	0.82	0.78	61	5.9	26	4821	1.0	2.3	14.4	3500	74
540	AXR 400MM6	420015	991	95.9	95.7	0.82	0.77	66	6.1	28	5205	1.0	2.4	15.9	3710	74
600	AXR 400MM6	420108	995	96.2	95.8	0.77	0.70	78	6.3	40	5757	0.8	2.5	20.1	3840	74
630	AXR 450MH6	450665	992	96.2	96.2	0.85	0.82	74	6.0	27	6064	0.8	2.3	30.2	4480	77
710	AXR 450MK6	450664	992	96.3	96.3	0.86	0.82	83	6.0	30	6832	0.8	2.3	34.7	4800	77
800	AXR 450MM6	450663	993	96.5	96.4	0.85	0.81	94	6.0	35	7694	0.8	2.4	39.5	5150	77
880	AXR 450MP6	450662	993	96.5	96.5	0.85	0.82	103	6.1	38	8463	0.8	2.4	43.3	5390	77
950	AXR 450MP6	450661	995	96.7	96.6	0.87	0.84	109	6.1	35	9119	0.9	2.1	55.6	5630	77
1000	AXR 500ML6	500665	993	96.6	96.5	0.84	0.80	119	6.0	46	9617	0.8	2.4	51.8	6370	77
1120	AXR 500MN6	500664	993	96.7	96.6	0.85	0.81	132	6.0	49	10772	0.8	2.3	58.0	6740	77
1250	AXR 500MQ6	500663	993	96.7	96.7	0.85	0.81	147	6.0	55	12021	0.8	2.3	64.2	7100	77
1350	AXR 500MS6	500662	993	96.8	96.8	0.84	0.80	160	6.0	62	12977	0.8	2.4	71.7	7560	77
1500	AXR 500MS6	500661	996	97.1	97.1	0.84	0.81	176	6.0	64	14379	0.7	2.2	91.9	7870	77

Rib cooled motors, type AXR

Technical data

IP55, IC411, insulation class F, temperature rise class B
6000 V, 50 Hz

Output (kW)	Motor type	Product ID	Speed (r/min)	Efficiency		Power factor		Current			Torque			Rotor inertia (kgm ²)	Motor weight (kg)	Sound pressure level <i>L_p</i> (dB(A))
				Full load 100%	3/4 load 75%	Full load 100%	3/4 load 75%	<i>I_N</i> (A)	<i>I_S</i> <i>I_N</i> (pu)	<i>I₀</i> (A)	<i>T_N</i> (Nm)	<i>T_S</i> <i>T_N</i> (pu)	<i>T_{max}</i> <i>T_N</i> (pu)			
750 r/min = 8 poles																
6000 V 50 Hz																
180	AXR 400MD8	400689	740	94.0	93.9	0.76	0.71	24	4.3	12	2323	0.8	1.9	9.7	2800	74
200	AXR 400ME8	400688	740	94.1	94.1	0.76	0.71	27	4.3	13	2582	0.8	1.9	10.0	2850	74
224	AXR 400ME8	400687	739	94.2	94.2	0.77	0.72	30	4.2	14	2893	0.7	1.8	10.5	2920	74
250	AXR 400MF8	400686	739	94.3	94.4	0.77	0.72	33	4.1	15	3230	0.7	1.8	11.0	2990	74
280	AXR 400MH8	400685	740	94.6	94.6	0.77	0.72	37	4.3	17	3615	0.8	1.8	12.8	3220	74
315	AXR 400MJ8	400684	740	94.7	94.7	0.77	0.72	42	4.3	19	4067	0.8	1.8	13.6	3340	74
355	AXR 400MK8	400683	740	94.8	94.8	0.77	0.72	47	4.3	21	4584	0.8	1.8	14.7	3480	74
390	AXR 400ML8	400682	740	94.9	94.9	0.77	0.72	52	4.4	24	5033	0.8	1.9	15.9	3640	74
450	AXR 400ML8	400681	743	95.5	95.5	0.79	0.75	57	4.5	24	5782	0.7	1.9	19.9	3760	74
500	AXR 450MJ8	450684	743	95.6	95.5	0.81	0.76	62	5.6	28	6428	1.0	2.3	33.7	4650	76
560	AXR 450ML8	450683	743	95.7	95.6	0.81	0.76	70	5.7	31	7197	1.0	2.4	37.5	4920	76
650	AXR 450MQ8	450682	744	95.8	95.7	0.80	0.74	82	5.9	38	8348	1.0	2.4	45.5	5450	76
750	AXR 450MQ8	450681	746	96.2	95.9	0.79	0.73	95	6.2	47	9599	0.8	2.5	57.2	5690	76
800	AXR 500ML8	500685	744	96.0	95.9	0.82	0.77	98	5.7	42	10269	0.9	2.3	51.5	6310	78
900	AXR 500MP8	500684	744	96.1	95.9	0.80	0.74	113	5.9	53	11545	0.9	2.4	59.3	6750	78
1000	AXR 500MR8	500683	744	96.2	96.0	0.80	0.75	124	5.8	56	12828	0.9	2.4	67.4	7220	78
1100	AXR 500MS8	500682	745	96.2	96.1	0.79	0.73	139	5.9	67	14105	0.9	2.4	73.4	7580	78
1200	AXR 500MS8	500681	746	96.5	96.3	0.81	0.77	147	5.9	63	15355	0.7	2.3	93.1	7880	78

Rib cooled motors, type AXR

Technical data

IP55, IC411, insulation class F, temperature rise class B
6000 V, 50 Hz

Output (kW)	Motor type	Product ID	Speed (r/min)	Efficiency		Power factor		Current			Torque			Rotor inertia (kgm ²)	Motor weight (kg)	Sound pressure level <i>L_p</i> (dB(A))
				Full load 100%	3/4 load 75%	Full load 100%	3/4 load 75%	<i>I_N</i> (A)	<i>I_S</i> <i>I_N</i> (pu)	<i>I₀</i> (A)	<i>T_N</i> (Nm)	<i>T_S</i> <i>T_N</i> (pu)	<i>T_{max}</i> <i>T_N</i> (pu)			
600 r/min = 10 poles																
6000 V 50 Hz																
160	AXR 400MF10	4006106	591	92.9	92.4	0.66	0.59	25	4.1	16	2583	0.8	2.1	10.6	2940	74
200	AXR 400MF10	4006105	590	93.1	92.9	0.69	0.62	30	3.8	17	3236	0.8	1.9	11.6	3080	74
224	AXR 400MH10	4006104	590	93.3	93.2	0.70	0.63	33	3.8	18	3624	0.8	1.8	13.0	3270	74
250	AXR 400MJ10	4006103	591	93.5	93.3	0.69	0.62	37	3.9	21	4041	0.8	1.9	14.4	3460	74
280	AXR 400MM10	4006102	591	93.7	93.3	0.67	0.60	43	4.1	26	4521	0.8	2.1	15.9	3670	74
315	AXR 400MM10	4006101	595	94.2	93.6	0.66	0.58	49	4.3	31	5054	0.8	2.0	20.2	3790	74
315	AXR 450MF10	4506107	593	94.7	94.9	0.76	0.71	42	4.3	20	5075	0.8	1.9	28.7	4260	75
355	AXR 450MH10	4506106	593	94.9	95.1	0.77	0.72	47	4.2	21	5721	0.8	1.8	31.3	4450	75
400	AXR 450MJ10	4506105	593	95.0	95.2	0.77	0.73	52	4.2	23	6447	0.8	1.8	34.7	4680	75
450	AXR 450MM10	4506104	592	95.1	95.4	0.78	0.74	58	4.1	25	7254	0.8	1.7	39.8	5040	75
500	AXR 450MN10	4506103	593	95.3	95.4	0.77	0.72	66	4.5	30	8050	0.9	1.9	43.3	5270	75
530	AXR 450MP10	4506102	594	95.4	95.3	0.72	0.65	74	5.2	42	8514	1.1	2.2	45.4	5420	75
580	AXR 450MP10	4506101	596	95.8	95.7	0.74	0.68	79	5.0	42	9288	0.8	2.0	57.4	5630	75
630	AXR 500ML10	5006105	594	95.5	95.5	0.76	0.71	83	4.7	40	10135	0.9	1.9	52.6	6270	75
710	AXR 500MP10	5006104	594	95.7	95.6	0.76	0.70	95	5.0	48	11412	0.9	2.1	61.6	6780	75
800	AXR 500MR10	5006103	594	95.8	95.7	0.76	0.71	106	5.0	52	12861	0.9	2.0	68.1	7140	75
870	AXR 500MS10	5006102	594	95.8	95.8	0.76	0.70	115	5.1	57	13982	1.0	2.1	75.8	7580	75
970	AXR 500MS10	5006101	596	96.3	96.2	0.78	0.73	125	4.9	55	15535	0.7	1.9	94.1	7850	75
500 r/min = 12 poles																
6000 V 50 Hz																
140	AXR 400MF12	4006126	490	91.4	91.0	0.63	0.56	23	3.7	15	2730	0.9	2.0	11.8	3050	74
160	AXR 400MH12	4006125	489	91.7	91.4	0.65	0.57	26	3.6	16	3122	0.8	1.9	13.3	3240	74
180	AXR 400MK12	4006124	494	92.3	91.6	0.63	0.54	30	4.9	21	3482	1.3	2.6	21.5	3390	74
200	AXR 400ML12	4006123	494	92.5	91.9	0.64	0.55	33	4.9	22	3870	1.3	2.5	23.1	3530	74
224	AXR 400MM12	4006122	493	92.6	92.0	0.63	0.55	37	4.9	25	4334	1.3	2.5	24.2	3630	74
250	AXR 400MM12	4006121	496	93.3	92.8	0.66	0.59	39	4.6	24	4817	1.0	2.0	30.1	3760	74
280	AXR 450MK12	4506124	493	93.7	93.4	0.70	0.63	41	4.3	24	5423	0.9	2.1	36.0	4740	74
315	AXR 450ML12	4506123	493	93.8	93.7	0.72	0.65	45	4.2	24	6106	0.8	2.0	39.9	5010	74
355	AXR 450MP12	4506122	493	94.0	93.7	0.70	0.63	52	4.5	30	6871	0.9	2.1	46.5	5460	74
400	AXR 450MP12	4506121	495	94.5	94.3	0.72	0.66	57	4.1	29	7712	0.8	1.8	57.1	5650	74
450	AXR 500ML12	5006125	494	94.5	94.1	0.70	0.64	65	4.1	36	8690	0.7	1.8	52.5	6320	74
500	AXR 500MN12	5006124	494	94.6	94.3	0.71	0.65	72	4.0	38	9656	0.7	1.8	59.4	6720	74
560	AXR 500MR12	5006123	495	94.7	94.4	0.71	0.65	80	4.1	43	10813	0.7	1.8	67.0	7170	74
610	AXR 500MS12	5006122	495	94.7	94.3	0.70	0.63	89	4.3	50	11768	0.8	1.9	75.3	7640	74
680	AXR 500MS12	5006121	497	95.2	94.9	0.71	0.65	97	4.2	52	13073	0.7	1.8	95.3	7930	74

Rib cooled motors, type AXR

Technical data

IP55, IC411, insulation class F, temperature rise class B
10000 V, 50 Hz

Output (kW)	Motor type	Product ID	Speed (r/min)	Efficiency		Power factor		Current			Torque			Rotor inertia (kgm ²)	Motor weight (kg)	Sound pressure level <i>L_p</i> (dB(A))
				Full load 100%	3/4 load 75%	Full load 100%	3/4 load 75%	<i>I_N</i> (A)	<i>I_S</i> <i>I_N</i> (pu)	<i>I₀</i> (A)	<i>T_N</i> (Nm)	<i>T_S</i> <i>T_N</i> (pu)	<i>T_{max}</i> <i>T_N</i> (pu)			
3000 r/min = 2 poles																
10000 V 50 Hz																
355	AXR 400ME2	401027	2974	95.4	95.3	0.89	0.87	24	6.4	6	1140	0.8	2.7	5.9	3070	81
400	AXR 400ME2	401026	2973	95.5	95.5	0.90	0.88	27	6.2	6	1285	0.7	2.6	5.9	3070	81
450	AXR 400MF2	401025	2973	95.7	95.8	0.90	0.89	30	6.1	6	1445	0.8	2.4	6.3	3180	81
500	AXR 400MG2	401024	2971	95.8	95.9	0.91	0.90	33	6.1	6	1607	0.9	2.4	6.7	3300	81
560	AXR 400MH2	401022	2973	96.0	96.1	0.91	0.90	37	6.1	7	1799	0.9	2.4	7.1	3420	81
600	AXR 400MH2	401021	2983	96.3	96.5	0.91	0.91	39	6.0	7	1921	0.7	2.2	8.9	3500	81
630	AXR 450MG2	451025	2977	96.1	96.1	0.91	0.90	42	5.6	8	2021	0.6	2.3	13.9	4600	81
710	AXR 450MJ2	451024	2979	96.3	96.3	0.90	0.89	47	5.9	9	2276	0.6	2.4	14.7	4770	81
800	AXR 450MK2	451023	2979	96.4	96.5	0.91	0.90	53	5.7	10	2564	0.6	2.3	15.8	5000	81
870	AXR 450ML2	451022	2980	96.6	96.6	0.91	0.90	57	6.0	11	2787	0.6	2.4	16.3	5120	81
900	AXR 450ML2	451021	2985	96.7	96.8	0.91	0.91	59	6.2	11	2879	0.6	2.3	20.6	5260	81
1000	AXR 500ML2	501024	2984	96.5	96.4	0.92	0.92	65	5.9	12	3200	0.6	2.3	22.2	6230	81
1150	AXR 500MN2	501023	2983	96.7	96.6	0.92	0.91	75	5.8	13	3682	0.6	2.1	26.0	6720	81
1280	AXR 500MQ2	501022	2983	96.8	96.8	0.92	0.92	83	6.0	14	4097	0.6	2.2	29.1	7140	81
1320	AXR 500MQ2	501021	2988	97.0	96.9	0.92	0.92	85	6.1	14	4219	0.6	2.1	36.7	7330	81
1500 r/min = 4 poles																
10000 V 50 Hz																
355	AXR 400ME4	401046	1487	94.9	94.6	0.82	0.77	26	6.2	12	2280	0.8	2.7	8.3	2980	81
400	AXR 400MF4	401045	1486	95.0	94.9	0.84	0.79	29	6.0	12	2571	0.8	2.6	8.8	3080	81
450	AXR 400MG4	401044	1487	95.3	95.2	0.85	0.81	32	6.1	12	2890	0.8	2.5	9.2	3170	81
500	AXR 400MH4	401043	1486	95.5	95.5	0.87	0.84	35	6.4	12	3213	0.9	2.5	10.0	3310	81
560	AXR 400MJ4	401042	1487	95.7	95.6	0.86	0.82	40	6.0	15	3596	0.8	2.4	10.9	3470	81
600	AXR 400MJ4	401041	1491	95.9	95.8	0.85	0.82	42	5.9	15	3842	0.7	2.2	13.5	3560	81
630	AXR 450MG4	451045	1488	96.0	95.9	0.85	0.81	45	6.0	17	4042	0.8	2.4	15.2	4520	81
710	AXR 450MJ4	451044	1489	96.2	96.1	0.85	0.81	50	6.0	19	4554	0.8	2.4	17.1	4820	81
800	AXR 450ML4	451043	1488	96.3	96.3	0.86	0.83	56	5.9	19	5133	0.8	2.4	18.6	5060	81
850	AXR 450MM4	451042	1489	96.4	96.4	0.85	0.82	60	6.0	22	5451	0.8	2.4	19.5	5200	81
960	AXR 450MM4	451041	1493	96.6	96.5	0.84	0.81	68	6.1	25	6140	0.6	2.3	24.9	5360	81
1000	AXR 500MJ4	501044	1490	96.5	96.4	0.86	0.83	69	6.0	24	6408	0.7	2.4	28.4	6120	81
1150	AXR 500ML4	501043	1490	96.7	96.6	0.87	0.84	79	6.0	26	7370	0.8	2.3	32.3	6490	81
1300	AXR 500MP4	501042	1491	96.9	96.8	0.87	0.84	89	6.1	29	8326	0.7	2.4	36.4	6930	81
1400	AXR 500MP4	501041	1494	97.0	96.9	0.88	0.86	94	6.1	27	8947	0.6	2.2	49.4	7180	81
710	AXR 450MM6	451061	995	96.1	95.9	0.81	0.77	52	5.9	23	6814	0.8	2.3	31.8	5370	78

Rib cooled motors, type AXR

Technical data

IP55, IC411, insulation class F, temperature rise class B
10000 V, 50 Hz

Output (kW)	Motor type	Product ID	Speed (r/min)	Efficiency		Power factor		Current			Torque			Rotor inertia (kgm ²)	Motor weight (kg)	Sound pressure level <i>L_p</i> (dB(A))
				Full load 100%	3/4 load 75%	Full load 100%	3/4 load 75%	<i>I_N</i> (A)	<i>I_S</i> <i>I_N</i> (pu)	<i>I₀</i> (A)	<i>T_N</i> (Nm)	<i>T_S</i> <i>T_N</i> (pu)	<i>T_{max}</i> <i>T_N</i> (pu)			
1000 r/min = 6 poles																
10000 V 50 Hz																
250	AXR 400MH6	401065	990	94.2	93.7	0.73	0.65	21	6.1	12	2411	1.0	3.0	10.2	3270	74
280	AXR 400MH6	401064	990	94.4	93.9	0.75	0.67	23	6.3	13	2701	1.1	3.1	10.7	3340	74
315	AXR 400MJ6	401063	989	94.5	94.1	0.76	0.68	25	6.2	14	3041	1.1	2.9	11.1	3420	74
355	AXR 400MJ6	401062	991	94.8	94.5	0.75	0.67	29	6.0	16	3420	1.1	2.7	11.1	3450	74
400	AXR 400MJ6	401061	993	95.1	94.9	0.78	0.72	31	5.8	15	3845	1.0	2.3	13.7	3540	74
450	AXR 450MH6	451065	991	95.2	94.9	0.80	0.74	34	5.9	16	4337	0.9	2.5	20.6	4600	77
500	AXR 450MJ6	451064	990	95.3	95.1	0.81	0.76	37	5.9	17	4821	1.0	2.5	21.9	4750	77
560	AXR 450MK6	451063	992	95.6	95.5	0.81	0.77	42	5.6	18	5392	0.9	2.2	22.9	4920	77
630	AXR 450MM6	451062	992	95.7	95.5	0.81	0.76	47	6.2	21	6066	1.1	2.4	25.7	5220	77
710	AXR 450MM6	451061	995	96.1	96.0	0.81	0.77	52	5.9	23	6814	0.8	2.3	31.8	5370	77
800	AXR 500MJ6	501064	993	96.2	96.3	0.84	0.80	57	5.8	22	7696	0.8	2.3	32.8	6040	77
950	AXR 500MM6	501063	993	96.5	96.4	0.83	0.78	69	6.0	29	9133	0.8	2.4	38.4	6500	77
1080	AXR 500MQ6	501062	993	96.6	96.6	0.84	0.80	77	6.0	30	10384	0.8	2.4	44.4	6980	77
1175	AXR 500MQ6	501061	996	96.8	96.8	0.85	0.82	83	6.0	29	11270	0.7	2.2	59.2	7250	77
750 r/min = 8 poles																
10000 V 50 Hz																
400	AXR 500MH8	501088	743	94.4	93.8	0.76	0.69	32	5.9	17	5143	1.1	2.7	30.8	5700	78
450	AXR 500MH8	501087	743	94.5	94.0	0.75	0.69	36	5.9	20	5786	1.1	2.7	31.8	5780	78
500	AXR 500MJ8	501086	742	94.7	94.2	0.76	0.70	40	5.8	21	6431	1.1	2.6	34.2	5960	78
560	AXR 500MK8	501085	744	95.1	94.6	0.75	0.68	45	5.9	25	7185	1.1	2.5	34.9	6090	78
630	AXR 500ML8	501084	744	95.2	94.8	0.76	0.69	50	5.9	27	8084	1.1	2.5	38.2	6340	78
710	AXR 500MN8	501083	744	95.4	95.0	0.76	0.69	57	6.0	30	9108	1.0	2.5	41.8	6660	78
800	AXR 500MQ8	501082	744	95.6	95.2	0.76	0.70	63	6.0	33	10262	1.0	2.5	46.4	7020	78
900	AXR 500MQ8	501081	746	95.9	95.6	0.79	0.73	69	5.8	33	11518	0.7	2.3	59.1	7240	78

Rib cooled motors, type AXR

Technical data

IP55, IC411, insulation class F, temperature rise class B
4160 V, 60 Hz

Output (kW)	Motor type	Product ID	Speed (r/min)	Efficiency		Power factor		Current			Torque			Rotor inertia (kgm ²)	Motor weight (kg)	Sound pressure level <i>L_p</i> (dB(A))
				Full load 100%	3/4 load 75%	Full load 100%	3/4 load 75%	<i>I_N</i> (A)	<i>I_S</i> <i>I_N</i> (pu)	<i>I₀</i> (A)	<i>T_N</i> (Nm)	<i>T_S</i> <i>T_N</i> (pu)	<i>T_{max}</i> <i>T_N</i> (pu)			
3600 r/min = 2 poles																
4160 V 60 Hz																
160	AXR 315MA2	320429	3570	94.2	93.7	0.91	0.90	26	5.9	6	428	0.7	2.4	1.8	1660	84
200	AXR 315MA2	320428	3569	94.7	94.4	0.91	0.90	32	5.6	7	535	0.6	2.3	1.7	1660	84
250	AXR 315MB2	320427	3571	95.1	94.9	0.90	0.89	40	5.7	10	669	0.6	2.3	1.8	1680	84
280	AXR 315MB2	320426	3571	95.4	95.2	0.90	0.88	45	5.7	11	749	0.6	2.3	1.9	1710	84
315	AXR 315MC2	320425	3571	95.6	95.5	0.90	0.89	51	5.7	12	842	0.6	2.3	2.0	1770	84
355	AXR 315MC2	320424	3572	95.8	95.7	0.90	0.89	57	5.8	13	949	0.7	2.3	2.2	1830	84
375	AXR 315MD2	320423	3572	95.8	95.8	0.91	0.90	60	5.9	13	1002	0.7	2.3	2.4	1870	84
425	AXR 315ME2	320422	3574	96.0	96.0	0.90	0.89	68	5.8	15	1136	0.6	2.3	2.6	1970	84
445	AXR 315ME2	320421	3582	96.3	96.3	0.91	0.91	70	6.0	14	1186	0.6	2.2	3.7	2040	84
450	AXR 355ME2	360424	3570	95.8	95.8	0.91	0.91	71	5.7	14	1204	0.7	2.2	4.1	2340	84
500	AXR 355MF2	360423	3572	95.9	95.9	0.92	0.91	78	5.9	15	1337	0.7	2.3	4.3	2390	84
570	AXR 355MH2	360422	3574	96.2	96.2	0.92	0.91	89	6.0	17	1523	0.7	2.3	4.8	2540	84
600	AXR 355MH2	360421	3582	96.4	96.4	0.92	0.92	94	6.1	17	1600	0.7	2.2	6.2	2620	84
630	AXR 400MF2	410425	3575	96.1	96.1	0.92	0.91	99	6.1	17	1683	0.8	2.4	7.6	3100	85
710	AXR 400MH2	410424	3576	96.4	96.3	0.91	0.91	111	6.0	20	1896	0.7	2.3	8.5	3310	85
800	AXR 400MJ2	410423	3576	96.5	96.5	0.92	0.92	125	6.1	21	2136	0.7	2.3	9.2	3480	85
860	AXR 400ML2	410422	3577	96.6	96.6	0.92	0.91	134	6.2	24	2296	0.7	2.3	9.7	3610	85
890	AXR 400ML2	410421	3583	96.8	96.7	0.92	0.92	138	6.4	23	2372	0.8	2.3	12.6	3730	85
1000	AXR 450MK2	460424	3580	96.5	96.4	0.91	0.91	156	6.1	28	2668	0.6	2.5	15.2	4960	85
1100	AXR 450MM2	460423	3580	96.7	96.5	0.92	0.92	171	6.3	30	2934	0.7	2.5	17.2	5340	85
1170	AXR 450MN2	460422	3582	96.7	96.5	0.90	0.90	185	6.3	37	3120	0.6	2.5	18.2	5500	85
1200	AXR 450MN2	460421	3585	96.9	96.7	0.90	0.90	189	6.1	37	3196	0.6	2.3	22.7	5650	85
1320	AXR 500MN2	510423	3582	96.5	96.3	0.92	0.92	205	5.9	36	3519	0.6	2.2	26.1	6720	85
1530	AXR 500MR2	510422	3583	96.8	96.6	0.92	0.92	236	6.1	41	4078	0.6	2.3	31.1	7440	85
1600	AXR 500MR2	510421	3587	96.9	96.7	0.93	0.93	246	6.2	41	4259	0.6	2.2	39.4	7640	85

Rib cooled motors, type AXR

Technical data

IP55, IC411, insulation class F, temperature rise class B
4160 V, 60 Hz

Output (kW)	Motor type	Product ID	Speed (r/min)	Efficiency		Power factor		Current			Torque			Rotor inertia (kgm ²)	Motor weight (kg)	Sound pressure level <i>L_p</i> (dB(A))
				Full load 100%	3/4 load 75%	Full load 100%	3/4 load 75%	<i>I_N</i> (A)	<i>I_S</i> <i>I_N</i> (pu)	<i>I₀</i> (A)	<i>T_N</i> (Nm)	<i>T_S</i> <i>T_N</i> (pu)	<i>T_{max}</i> <i>T_N</i> (pu)			
1800 r/min = 4 poles																
4160 V 60 Hz																
160	AXR 315MA4	320448	1783	94.3	93.9	0.84	0.80	28	5.9	12	857	0.9	2.4	2.8	1640	81
200	AXR 315MA4	320447	1781	94.6	94.4	0.84	0.80	35	5.7	14	1072	0.9	2.2	2.8	1640	81
250	AXR 315MB4	320446	1782	95.0	94.8	0.81	0.76	45	5.7	20	1339	0.9	2.3	3.0	1680	81
280	AXR 315MB4	320445	1783	95.2	95.0	0.81	0.76	50	5.8	23	1500	0.9	2.3	3.2	1730	81
315	AXR 315MC4	320444	1783	95.5	95.3	0.82	0.78	56	5.9	24	1687	0.9	2.3	3.6	1820	81
355	AXR 315MD4	320443	1783	95.7	95.5	0.82	0.78	63	6.1	27	1901	1.0	2.4	4.0	1910	81
415	AXR 315ME4	320442	1784	95.8	95.7	0.81	0.76	75	6.0	34	2221	1.0	2.4	4.5	2000	81
460	AXR 315ME4	320441	1791	96.2	96.0	0.82	0.77	81	6.0	36	2453	0.8	2.2	5.7	2060	81
500	AXR 355MG4	360443	1785	95.9	95.8	0.85	0.82	85	5.9	32	2675	1.0	2.2	6.8	2470	81
560	AXR 355MH4	360442	1785	96.1	96.0	0.85	0.82	95	5.9	34	2995	1.0	2.2	7.3	2570	81
610	AXR 355MH4	360441	1791	96.2	96.0	0.83	0.79	106	5.9	42	3253	0.7	2.1	9.2	2660	81
630	AXR 400MF4	410445	1788	96.1	95.9	0.87	0.84	105	5.9	35	3364	0.7	2.2	11.0	3080	83
710	AXR 400MG4	410444	1788	96.3	96.2	0.88	0.86	116	5.9	36	3793	0.7	2.2	12.1	3260	83
800	AXR 400MJ4	410443	1789	96.4	96.3	0.87	0.84	133	5.9	45	4270	0.7	2.2	13.4	3460	83
900	AXR 400ML4	410442	1789	96.6	96.4	0.87	0.85	148	6.1	48	4804	0.7	2.2	15.0	3690	83
950	AXR 400ML4	410441	1793	96.7	96.5	0.87	0.85	156	6.1	49	5059	0.7	2.1	20.0	3850	83
1000	AXR 450MK4	460444	1789	96.5	96.3	0.87	0.85	165	5.9	53	5338	0.7	2.2	24.6	4900	83
1100	AXR 450ML4	460443	1790	96.6	96.4	0.87	0.84	183	6.0	61	5870	0.7	2.2	26.8	5130	83
1200	AXR 450MP4	460442	1790	96.7	96.6	0.87	0.85	197	5.9	62	6402	0.7	2.2	29.4	5420	83
1250	AXR 450MP4	460441	1793	96.8	96.5	0.88	0.86	204	6.0	59	6657	0.7	2.1	38.5	5630	83
1400	AXR 500ML4	510444	1789	96.8	96.6	0.89	0.87	225	5.8	63	7472	0.7	2.2	36.6	6510	84
1600	AXR 500MP4	510443	1790	96.9	96.8	0.88	0.86	259	5.8	77	8535	0.6	2.2	42.1	6990	84
1700	AXR 500MR4	510442	1791	97.0	96.8	0.88	0.86	275	5.9	82	9066	0.6	2.3	47.2	7430	84
1800	AXR 500MR4	510441	1793	97.0	96.8	0.89	0.87	290	6.1	79	9584	0.6	2.1	63.0	7710	84

Rib cooled motors, type AXR

Technical data

IP55, IC411, insulation class F, temperature rise class B
4160 V, 60 Hz

Output (kW)	Motor type	Product ID	Speed (r/min)	Efficiency		Power factor		Current			Torque			Rotor inertia (kgm ²)	Motor weight (kg)	Sound pressure level <i>L_p</i> (dB(A))
				Full load 100%	3/4 load 75%	Full load 100%	3/4 load 75%	<i>I_N</i> (A)	<i>I_S</i> <i>I_N</i> (pu)	<i>I₀</i> (A)	<i>T_N</i> (Nm)	<i>T_S</i> <i>T_N</i> (pu)	<i>T_{max}</i> <i>T_N</i> (pu)			
1200 r/min = 6 poles																
4160 V 60 Hz																
125	AXR 315MA6	320469	1187	94.2	94.0	0.80	0.74	23	5.4	11	1006	0.9	2.4	2.7	1620	76
160	AXR 315MA6	320468	1187	94.5	94.4	0.78	0.71	30	5.3	16	1288	0.9	2.3	2.7	1630	76
180	AXR 315MB6	320467	1186	94.7	94.6	0.79	0.73	34	5.2	17	1449	0.9	2.2	2.9	1670	76
200	AXR 315MB6	320466	1186	94.8	94.8	0.79	0.73	37	5.2	19	1610	0.9	2.2	3.1	1700	76
224	AXR 315MC6	320465	1186	95.0	95.0	0.79	0.74	41	5.1	20	1804	0.9	2.2	3.4	1760	76
250	AXR 315MD6	320464	1185	95.2	95.2	0.80	0.76	45	5.1	21	2014	0.9	2.1	3.8	1840	76
280	AXR 315ME6	320463	1185	95.3	95.4	0.81	0.76	50	5.1	22	2256	0.9	2.1	4.1	1920	76
310	AXR 315MF6	320462	1186	95.5	95.5	0.80	0.75	56	5.3	26	2496	1.0	2.2	4.4	1990	76
335	AXR 315MF6	320461	1191	95.9	95.9	0.81	0.77	60	5.2	26	2685	0.7	2.0	5.9	2050	76
355	AXR 355MG6	360463	1187	95.3	95.2	0.81	0.76	64	5.4	29	2855	0.9	2.2	6.7	2450	79
425	AXR 355MH6	360462	1187	95.5	95.4	0.81	0.76	76	5.4	34	3418	0.9	2.2	7.4	2580	79
470	AXR 355MH6	360461	1192	95.9	95.8	0.82	0.78	83	5.2	34	3766	0.7	2.0	9.5	2670	79
500	AXR 400MG6	420010	1192	95.8	95.6	0.83	0.80	87	5.9	35	4006	0.8	2.2	16.7	3070	79
560	AXR 400MH6	420014	1192	96.0	95.8	0.83	0.79	97	5.9	40	4485	0.7	2.2	19.4	3320	79
620	AXR 400MK6	420106	1193	96.0	95.6	0.80	0.75	112	6.4	53	4961	0.8	2.4	21.7	3510	79
680	AXR 400ML6	420107	1193	96.1	96.0	0.84	0.80	117	6.3	46	5445	0.8	2.3	23.3	3670	79
720	AXR 400MM6	420105	1195	96.3	96.1	0.85	0.82	122	6.2	45	5754	0.7	2.1	30.3	3840	79
800	AXR 450MJ6	460464	1192	96.3	96.1	0.85	0.81	136	5.9	52	6407	0.8	2.3	33.8	4740	82
900	AXR 450ML6	460463	1193	96.4	96.2	0.85	0.81	153	5.9	60	7206	0.7	2.3	37.9	5030	82
1050	AXR 450MP6	460462	1193	96.5	96.4	0.85	0.81	178	6.0	69	8406	0.8	2.4	43.6	5440	82
1120	AXR 450MP6	460461	1195	96.7	96.5	0.85	0.83	188	5.9	66	8949	0.7	2.1	55.2	5660	82
1250	AXR 500MM6	510464	1193	96.7	96.6	0.84	0.80	213	5.9	85	10003	0.7	2.4	53.5	6570	82
1400	AXR 500MQ6	510463	1193	96.8	96.7	0.85	0.82	236	5.8	90	11204	0.7	2.4	62.5	7120	82
1550	AXR 500MS6	510462	1194	96.9	96.7	0.85	0.81	263	6.0	104	12400	0.7	2.5	70.5	7560	82
1700	AXR 500MS6	510461	1196	97.0	96.9	0.86	0.83	284	6.1	100	13574	0.7	2.2	93.1	7910	82

Rib cooled motors, type AXR

Technical data

IP55, IC411, insulation class F, temperature rise class B
4160 V, 60 Hz

Output (kW)	Motor type	Product ID	Speed (r/min)	Efficiency		Power factor		Current			Torque			Rotor inertia (kgm ²)	Motor weight (kg)	Sound pressure level <i>L_p</i> (dB(A))
				Full load 100%	3/4 load 75%	Full load 100%	3/4 load 75%	<i>I_N</i> (A)	<i>I_S</i> <i>I_N</i> (pu)	<i>I₀</i> (A)	<i>T_N</i> (Nm)	<i>T_S</i> <i>T_N</i> (pu)	<i>T_{max}</i> <i>T_N</i> (pu)			
900 r/min = 8 poles																
4160 V 60 Hz																
160	AXR 400ME8	410490	890	94.1	93.8	0.82	0.77	29	5.2	13	1716	0.9	2.3	13.0	2700	77
200	AXR 400ME8	410489	890	94.2	94.1	0.82	0.78	36	5.1	15	2146	0.8	2.2	13.0	2700	77
250	AXR 400ME8	410488	889	94.4	94.4	0.82	0.78	45	4.9	19	2684	0.8	2.1	13.0	2700	77
280	AXR 400ME8	410487	890	94.6	94.5	0.81	0.76	51	5.2	23	3004	0.9	2.2	13.6	2750	77
315	AXR 400ME8	410486	891	94.8	94.6	0.80	0.75	58	5.5	28	3377	0.9	2.3	14.7	2840	77
355	AXR 400MG8	410485	891	95.0	94.8	0.80	0.75	65	5.7	31	3805	1.0	2.4	16.5	3010	77
400	AXR 400MJ8	410484	891	95.0	94.9	0.80	0.75	73	5.9	35	4285	1.0	2.5	19.5	3250	77
450	AXR 400ML8	410483	891	95.2	95.1	0.81	0.76	81	5.7	37	4822	1.0	2.4	21.4	3410	77
510	AXR 400MM8	410482	892	95.3	95.0	0.78	0.71	96	6.0	51	5457	1.0	2.6	24.2	3670	77
560	AXR 400MM8	410481	895	95.7	95.4	0.80	0.74	102	6.0	49	5976	1.0	2.3	30.1	3800	77
630	AXR 450MK8	460484	894	95.8	95.4	0.78	0.72	117	5.9	60	6733	0.9	2.5	35.7	4810	79
710	AXR 450MM8	460483	894	95.9	95.6	0.79	0.74	130	5.9	64	7588	0.9	2.4	40.8	5170	79
780	AXR 450MQ8	460482	894	95.9	95.6	0.78	0.72	145	6.0	75	8332	0.9	2.5	45.4	5490	79
870	AXR 450MQ8	460481	896	96.3	95.9	0.81	0.76	155	6.1	72	9271	0.7	2.4	57.5	5710	79
900	AXR 500ML8	501485	894	96.4	96.2	0.82	0.78	158	5.7	69	9614	0.8	2.3	50.3	6280	76
1000	AXR 500MP8	501484	894	96.4	96.3	0.81	0.77	177	5.8	80	10678	0.8	2.4	58.7	6760	76
1120	AXR 500MR8	501483	894	96.5	96.4	0.83	0.79	193	5.8	79	11963	0.8	2.3	67.4	7270	76
1200	AXR 500MS8	501482	894	96.5	96.4	0.83	0.79	208	6.0	88	12814	0.8	2.4	73.6	7640	76
1300	AXR 500MS8	501481	897	96.8	96.7	0.84	0.80	222	5.8	88	13847	0.6	2.2	96.0	7970	76

Rib cooled motors, type AXR

Technical data

IP55, IC411, insulation class F, temperature rise class B
4160 V, 60 Hz

Output (kW)	Motor type	Product ID	Speed (r/min)	Efficiency		Power factor		Current			Torque			Rotor inertia (kgm ²)	Motor weight (kg)	Sound pressure level <i>L_p</i> (dB(A))
				Full load 100%	3/4 load 75%	Full load 100%	3/4 load 75%	<i>I_N</i> (A)	<i>I_S</i> <i>I_N</i> (pu)	<i>I₀</i> (A)	<i>T_N</i> (Nm)	<i>T_S</i> <i>T_N</i> (pu)	<i>T_{max}</i> <i>T_N</i> (pu)			
720 r/min = 10 poles																
4160 V 60 Hz																
160	AXR 400MC10	4104108	713	93.0	92.2	0.68	0.60	35	5.4	23	2143	1.2	2.7	14.0	2760	75
200	AXR 400MD10	4104107	712	93.3	92.7	0.70	0.62	43	5.1	27	2682	1.1	2.4	14.5	2810	75
224	AXR 400MF10	4104106	712	93.5	93.0	0.71	0.64	47	5.1	28	3005	1.1	2.3	15.9	2930	75
250	AXR 400MG10	4104105	712	93.7	93.2	0.72	0.65	52	5.0	31	3354	1.0	2.3	17.6	3070	75
280	AXR 400MH10	4104104	712	93.9	93.4	0.72	0.65	58	5.1	34	3756	1.1	2.3	19.2	3220	75
315	AXR 400MK10	4104103	712	94.0	93.6	0.72	0.65	65	5.1	38	4226	1.1	2.3	21.7	3430	75
355	AXR 400MM10	4104102	712	94.1	93.7	0.72	0.65	73	5.2	43	4761	1.1	2.3	24.7	3690	75
400	AXR 400MM10	4104101	715	94.7	94.3	0.73	0.67	80	4.8	43	5343	0.9	1.9	30.3	3810	75
450	AXR 450MH10	4604105	714	95.3	95.2	0.74	0.67	89	4.8	49	6022	0.9	2.0	32.1	4530	76
500	AXR 450MK10	4604104	714	95.5	95.3	0.74	0.68	98	4.8	53	6690	0.9	2.0	35.6	4770	76
560	AXR 450MM10	4604103	714	95.6	95.4	0.75	0.69	109	4.8	58	7493	0.9	2.0	40.3	5090	76
630	AXR 450MP10	4604102	714	95.7	95.5	0.74	0.68	123	4.9	66	8426	0.9	2.1	45.4	5450	76
680	AXR 450MP10	4604101	716	96.0	95.9	0.76	0.70	130	4.8	66	9069	0.7	1.9	57.4	5670	76
710	AXR 500MK10	5004105	713	95.7	95.6	0.77	0.73	133	4.5	62	9508	0.8	1.8	48.8	6090	78
800	AXR 500MM10	5004104	713	95.8	95.7	0.77	0.72	150	4.7	72	10709	0.8	1.9	55.2	6460	78
900	AXR 500MQ10	5004103	714	95.9	95.8	0.77	0.71	170	4.9	84	12041	0.8	2.0	64.2	6950	78
1030	AXR 500MS10	5004102	714	96.0	95.8	0.76	0.70	196	5.2	101	13771	0.9	2.1	76.4	7650	78
1150	AXR 500MS10	5004101	716	96.4	96.2	0.78	0.73	213	5.0	98	15331	0.7	1.9	94.9	7920	78
600 r/min = 12 poles																
4160 V 60 Hz																
140	AXR 400MD12	4104128	592	92.4	91.9	0.68	0.60	31	4.3	20	2260	0.9	2.1	13.1	2690	74
160	AXR 400MD12	4104127	591	92.6	92.2	0.69	0.62	35	4.2	21	2584	0.9	2.0	13.9	2760	74
180	AXR 400ME12	4104126	591	92.8	92.6	0.70	0.64	38	4.0	22	2910	0.9	1.9	15.2	2870	74
200	AXR 400MF12	4104125	592	93.0	92.5	0.68	0.60	44	4.4	28	3226	1.0	2.1	17.4	3060	74
224	AXR 400MH12	4104124	592	93.2	92.7	0.68	0.61	49	4.5	31	3613	1.0	2.1	19.3	3230	74
250	AXR 400MK12	4104123	592	93.3	92.8	0.68	0.60	55	4.5	35	4031	1.0	2.2	21.5	3420	74
290	AXR 400MM12	4104122	592	93.5	93.0	0.68	0.61	63	4.5	39	4677	1.0	2.2	24.5	3680	74
330	AXR 400MM12	4104121	596	94.3	93.9	0.70	0.63	69	4.4	41	5292	0.7	2.0	30.6	3810	74
355	AXR 450MK12	4604124	593	94.2	93.8	0.70	0.64	75	4.4	44	5717	0.8	2.1	37.3	4870	75
400	AXR 450MN12	4604123	593	94.3	93.8	0.70	0.63	84	4.5	51	6438	0.9	2.2	43.0	5250	75
430	AXR 450MQ12	4604122	593	94.3	93.8	0.70	0.63	91	4.6	54	6919	0.9	2.2	47.0	5500	75
480	AXR 450MQ12	4604121	595	94.8	94.4	0.71	0.66	98	4.3	54	7698	0.8	1.8	57.6	5690	75
500	AXR 500MM12	5104125	595	94.5	93.9	0.70	0.64	105	4.4	61	8026	0.8	1.9	55.1	6480	75
560	AXR 500MP12	5104124	595	94.7	94.1	0.71	0.64	116	4.4	66	8990	0.7	1.9	60.8	6810	75
630	AXR 500MR12	5104123	595	94.8	94.2	0.71	0.65	129	4.3	72	10115	0.7	1.9	68.4	7250	75
710	AXR 500MS12	5104122	595	94.8	94.3	0.71	0.65	146	4.4	81	11399	0.7	1.9	76.6	7730	75
775	AXR 500MS12	5104121	596	95.3	94.8	0.72	0.67	156	4.3	83	12411	0.6	1.9	96.4	8020	75

Rib cooled motors, type AXR

Technical data

IP55, IC411, insulation class F, temperature rise class B
6600 V, 60 Hz

Output (kW)	Motor type	Product ID	Speed (r/min)	Efficiency		Power factor		Current			Torque			Rotor inertia (kgm ²)	Motor weight (kg)	Sound pressure level <i>L_p</i> (dB(A))
				Full load 100%	3/4 load 75%	Full load 100%	3/4 load 75%	<i>I_N</i> (A)	<i>I_s</i> <i>I_N</i> (pu)	<i>I₀</i> (A)	<i>T_N</i> (Nm)	<i>T_s</i> <i>T_N</i> (pu)	<i>T_{max}</i> <i>T_N</i> (pu)			
3600 r/min = 2 poles																
6600 V 60 Hz																
160	AXR 315MB2	320629	3574	94.0	93.3	0.86	0.83	17	6.5	6	427	0.8	3.0	2.1	1710	84
200	AXR 315MB2	320628	3569	94.4	94.0	0.89	0.86	21	5.8	6	535	0.7	2.5	2.0	1710	84
224	AXR 315MB2	320627	3567	94.5	94.3	0.90	0.88	23	5.8	6	600	0.7	2.5	2.0	1700	84
250	AXR 315MB2	320626	3573	94.8	94.7	0.90	0.89	25	5.8	6	668	0.6	2.3	1.9	1700	84
280	AXR 315MB2	320625	3573	95.2	95.1	0.90	0.88	28	5.8	7	748	0.6	2.3	2.0	1730	84
315	AXR 315MC2	320624	3571	95.4	95.3	0.90	0.89	32	5.6	7	842	0.6	2.2	2.1	1760	84
355	AXR 315MD2	320623	3573	95.7	95.6	0.90	0.89	36	5.8	8	949	0.7	2.3	2.3	1850	84
420	AXR 315ME2	320622	3575	96.0	96.0	0.90	0.89	42	5.9	9	1122	0.6	2.3	2.6	1950	84
430	AXR 315ME2	320621	3582	96.2	96.2	0.90	0.90	43	5.9	9	1146	0.6	2.2	3.6	2010	84
450	AXR 355MF2	360624	3570	95.7	95.7	0.91	0.91	45	5.8	8	1204	0.8	2.2	4.2	2340	84
500	AXR 355MF2	360623	3573	95.9	95.9	0.92	0.91	50	5.9	9	1336	0.7	2.3	4.3	2410	84
550	AXR 355MH2	360622	3576	96.1	96.1	0.92	0.91	54	6.0	10	1469	0.7	2.3	4.6	2510	84
570	AXR 355MH2	360621	3582	96.3	96.3	0.92	0.92	56	6.1	10	1520	0.6	2.2	6.2	2600	84
630	AXR 400MF2	410625	3576	96.2	96.1	0.91	0.91	62	6.1	11	1682	0.7	2.4	7.7	3120	85
710	AXR 400MH2	410624	3576	96.3	96.3	0.92	0.91	70	6.1	12	1896	0.7	2.3	8.4	3280	85
800	AXR 400MK2	410623	3578	96.5	96.5	0.92	0.92	78	6.3	13	2135	0.7	2.4	9.3	3530	85
860	AXR 400MK2	410622	3579	96.6	96.6	0.91	0.91	85	6.4	16	2295	0.7	2.4	9.6	3580	85
890	AXR 400MK2	410621	3584	96.8	96.7	0.91	0.91	88	6.5	15	2372	0.7	2.3	12.4	3700	85
950	AXR 450MK2	460624	3579	96.4	96.3	0.91	0.91	94	6.0	17	2535	0.6	2.4	14.9	4980	85
1050	AXR 450ML2	460623	3581	96.6	96.4	0.90	0.90	105	6.1	20	2800	0.6	2.4	16.2	5230	85
1140	AXR 450MN2	460622	3581	96.7	96.5	0.91	0.91	112	6.3	21	3040	0.6	2.5	17.9	5450	85
1180	AXR 450MN2	460621	3586	96.8	96.7	0.91	0.91	116	6.3	21	3143	0.6	2.4	22.7	5610	85
1250	AXR 500MM2	510624	3583	96.5	96.2	0.92	0.92	122	6.0	21	3332	0.6	2.3	24.7	6540	85
1400	AXR 500MP2	510623	3584	96.7	96.4	0.93	0.93	136	6.2	23	3730	0.6	2.3	26.7	6880	85
1500	AXR 500MR2	510622	3583	96.7	96.5	0.92	0.92	146	6.1	24	3998	0.6	2.2	30.8	7390	85
1580	AXR 500MR2	510621	3587	96.9	96.7	0.92	0.93	153	6.1	24	4206	0.6	2.2	39.0	7580	85

Rib cooled motors, type AXR

Technical data

—
IP55, IC411, insulation class F, temperature rise class B
6600 V, 60 Hz

Output (kW)	Motor type	Product ID	Speed (r/min)	Efficiency		Power factor		Current			Torque			Rotor inertia (kgm ²)	Motor weight (kg)	Sound pressure level <i>L_p</i> (dB(A))
				Full load 100%	3/4 load 75%	Full load 100%	3/4 load 75%	<i>I_N</i> (A)	<i>I_S</i> <i>I_N</i> (pu)	<i>I₀</i> (A)	<i>T_N</i> (Nm)	<i>T_S</i> <i>T_N</i> (pu)	<i>T_{max}</i> <i>T_N</i> (pu)			
1800 r/min = 4 poles																
6600 V 60 Hz																
160	AXR 315MB4	320649	1783	93.8	93.2	0.78	0.72	19	6.1	10	857	1.0	2.7	3.1	1660	81
200	AXR 315MB4	320648	1783	94.4	94.0	0.81	0.77	23	5.9	10	1071	1.0	2.3	3.0	1660	81
224	AXR 315MB4	320647	1782	94.5	94.3	0.83	0.79	25	5.8	10	1200	0.9	2.3	3.0	1660	81
250	AXR 315MB4	320646	1782	94.8	94.6	0.82	0.78	28	5.7	12	1340	1.0	2.2	3.0	1680	81
280	AXR 315MC4	320645	1783	95.1	95.0	0.82	0.78	31	5.7	13	1500	0.9	2.2	3.5	1770	81
315	AXR 315MD4	320644	1784	95.4	95.2	0.81	0.77	36	5.8	15	1686	0.9	2.2	3.9	1860	81
355	AXR 315ME4	320643	1784	95.5	95.4	0.82	0.77	40	5.9	17	1901	0.9	2.3	4.1	1910	81
400	AXR 315ME4	320642	1786	95.8	95.6	0.81	0.75	45	6.0	21	2138	0.9	2.4	4.2	1950	81
435	AXR 315ME4	320641	1790	96.0	95.8	0.83	0.79	48	6.1	19	2320	0.8	2.3	5.6	2020	81
450	AXR 355MF4	360643	1784	95.7	95.6	0.85	0.82	48	6.0	17	2408	1.0	2.2	6.1	2330	81
500	AXR 355MG4	360653	1785	95.9	95.8	0.85	0.82	53	5.8	18	2675	0.9	2.1	6.7	2460	81
550	AXR 355MH4	360642	1785	96.0	95.9	0.85	0.82	59	5.8	20	2942	0.9	2.1	7.2	2550	81
600	AXR 355MH4	360641	1791	96.1	95.9	0.82	0.78	67	6.0	27	3199	0.7	2.2	9.2	2640	81
630	AXR 400MG4	410645	1787	96.1	96.0	0.88	0.86	65	5.9	19	3366	0.7	2.2	11.3	3140	83
710	AXR 400MH4	410644	1787	96.3	96.2	0.89	0.87	72	6.0	20	3794	0.8	2.2	12.6	3320	83
770	AXR 400MJ4	410643	1787	96.4	96.3	0.89	0.87	79	5.9	21	4114	0.7	2.2	13.4	3450	83
860	AXR 400ML4	410642	1788	96.5	96.4	0.89	0.87	88	5.9	24	4594	0.7	2.2	15.1	3680	83
920	AXR 400ML4	420101	1792	96.7	96.5	0.89	0.88	93	6.1	24	4902	0.6	2.1	20.2	3840	83
1000	AXR 450MK4	460644	1790	96.5	96.2	0.86	0.83	106	5.9	35	5335	0.7	2.2	25.4	4940	83
1100	AXR 450MM4	460643	1791	96.6	96.4	0.86	0.83	116	6.0	39	5866	0.7	2.2	26.9	5140	83
1200	AXR 450MN4	460642	1791	96.7	96.5	0.86	0.83	126	6.0	42	6399	0.7	2.2	29.0	5390	83
1250	AXR 450MN4	460641	1794	96.8	96.5	0.87	0.85	129	6.2	39	6655	0.7	2.2	38.0	5600	83
1400	AXR 500ML4	510644	1790	96.7	96.5	0.88	0.85	144	6.0	44	7469	0.7	2.3	37.1	6500	84
1600	AXR 500MP4	510643	1790	96.9	96.8	0.88	0.86	163	5.9	47	8534	0.6	2.3	42.5	7000	84
1700	AXR 500MR4	510642	1791	96.9	96.8	0.88	0.86	174	6.2	54	9063	0.7	2.4	47.2	7360	84
1750	AXR 500MR4	510641	1794	96.9	96.7	0.88	0.86	180	6.3	51	9315	0.6	2.2	62.7	7640	84

Rib cooled motors, type AXR

Technical data

IP55, IC411, insulation class F, temperature rise class B
6600 V, 60 Hz

Output (kW)	Motor type	Product ID	Speed (r/min)	Efficiency		Power factor		Current			Torque			Rotor inertia (kgm ²)	Motor weight (kg)	Sound pressure level <i>L_p</i> (dB(A))
				Full load 100%	3/4 load 75%	Full load 100%	3/4 load 75%	<i>I_N</i> (A)	<i>I_S</i> <i>I_N</i> (pu)	<i>I₀</i> (A)	<i>T_N</i> (Nm)	<i>T_S</i> <i>T_N</i> (pu)	<i>T_{max}</i> <i>T_N</i> (pu)			
1200 r/min = 6 poles																
6600 V 60 Hz																
160	AXR 315MC6	320666	1188	94.3	93.9	0.73	0.65	20	6.0	12	1286	1.0	2.9	3.5	1770	76
200	AXR 315MD6	320665	1186	94.6	94.4	0.78	0.71	24	6.1	12	1610	1.1	2.7	3.7	1810	76
224	AXR 315MD6	320664	1189	94.9	94.7	0.76	0.70	27	5.9	14	1800	1.1	2.5	3.8	1830	76
250	AXR 315MD6	320663	1188	95.1	94.9	0.76	0.69	30	5.9	16	2009	1.1	2.5	4.0	1870	76
280	AXR 315ME6	320662	1188	95.2	95.1	0.78	0.72	33	5.7	17	2251	1.1	2.4	4.3	1940	76
315	AXR 315ME6	320661	1192	95.6	95.6	0.79	0.74	36	5.5	17	2523	0.8	2.1	5.7	2000	76
355	AXR 355MG6	360663	1188	95.2	95.0	0.80	0.75	41	5.6	19	2854	0.9	2.3	6.6	2420	79
410	AXR 355MH6	360662	1189	95.4	95.1	0.78	0.72	48	6.0	24	3293	1.1	2.5	7.3	2550	79
460	AXR 355MH6	360661	1193	95.8	95.6	0.80	0.75	53	5.9	24	3682	0.8	2.3	9.5	2640	79
500	AXR 400MJ6	420020	1190	95.7	95.5	0.83	0.78	55	5.7	22	4013	0.9	2.3	12.5	3240	79
560	AXR 400ML6	420022	1189	95.8	95.7	0.84	0.81	61	5.4	22	4497	0.8	2.1	14.4	3500	79
630	AXR 400MM6	420110	1193	96.0	95.6	0.78	0.71	74	6.1	37	5044	1.0	2.5	15.4	3690	79
675	AXR 400MM6	420109	1195	96.2	95.8	0.81	0.76	76	6.3	34	5395	0.8	2.4	20.3	3840	79
710	AXR 450MH6	460665	1191	96.1	96.1	0.87	0.85	74	5.9	24	5691	0.8	2.3	30.0	4460	82
800	AXR 450MK6	460664	1192	96.3	96.2	0.87	0.85	83	5.8	27	6411	0.7	2.3	34.0	4750	82
900	AXR 450MM6	460663	1192	96.4	96.3	0.86	0.83	95	5.9	32	7208	0.7	2.3	38.4	5070	82
1000	AXR 450MP6	460662	1192	96.5	96.4	0.88	0.85	104	5.9	32	8011	0.7	2.3	43.4	5400	82
1050	AXR 450MP6	460661	1194	96.6	96.5	0.88	0.86	108	6.0	31	8395	0.8	2.1	56.0	5630	82
1120	AXR 500ML6	510665	1192	96.5	96.4	0.85	0.82	119	5.8	42	8970	0.7	2.3	50.7	6300	82
1250	AXR 500MN6	510664	1193	96.7	96.6	0.85	0.82	132	5.9	47	10006	0.7	2.4	55.5	6650	82
1400	AXR 500MQ6	510663	1193	96.8	96.7	0.86	0.83	147	5.9	51	11207	0.7	2.4	62.8	7090	82
1550	AXR 500MS6	510662	1193	96.9	96.8	0.86	0.83	163	6.1	58	12405	0.7	2.4	70.3	7540	82
1650	AXR 500MS6	510661	1196	97.0	96.9	0.86	0.84	172	6.1	56	13176	0.7	2.2	92.6	7880	82

Rib cooled motors, type AXR

Technical data

—
IP55, IC411, insulation class F, temperature rise class B
6600 V, 60 Hz

Output (kW)	Motor type	Product ID	Speed (r/min)	Efficiency		Power factor		Current			Torque			Rotor inertia (kgm ²)	Motor weight (kg)	Sound pressure level <i>L_p</i> (dB(A))
				Full load 100%	3/4 load 75%	Full load 100%	3/4 load 75%	<i>I_N</i> (A)	<i>I_S</i> <i>I_N</i> (pu)	<i>I₀</i> (A)	<i>T_N</i> (Nm)	<i>T_S</i> <i>T_N</i> (pu)	<i>T_{max}</i> <i>T_N</i> (pu)			
900 r/min = 8 poles																
6600 V 60 Hz																
160	AXR 400MC8	410689	891	93.8	93.3	0.76	0.70	20	4.6	10	1716	0.7	2.1	9.3	2750	77
200	AXR 400MD8	410688	890	94.1	93.7	0.76	0.70	25	4.5	12	2145	0.7	2.0	9.7	2800	77
250	AXR 400ME8	410687	890	94.4	94.2	0.77	0.72	30	4.3	14	2684	0.7	1.9	10.7	2940	77
280	AXR 400MF8	410686	889	94.5	94.3	0.77	0.72	34	4.2	15	3006	0.7	1.8	11.2	3020	77
315	AXR 400MG8	410685	889	94.6	94.5	0.77	0.73	38	4.2	17	3383	0.7	1.8	11.9	3110	77
355	AXR 400MJ8	410684	889	94.8	94.7	0.78	0.74	42	4.0	17	3815	0.6	1.7	13.3	3290	77
400	AXR 400MK8	410683	889	94.9	94.8	0.78	0.74	47	4.0	20	4298	0.7	1.7	14.2	3410	77
440	AXR 400ML8	410682	889	95.0	95.0	0.78	0.75	52	4.0	21	4728	0.7	1.7	15.9	3640	77
520	AXR 400ML8	410681	894	95.6	95.3	0.78	0.72	61	4.9	29	5555	0.7	2.1	19.9	3760	77
560	AXR 450MH8	460685	892	95.6	95.4	0.82	0.78	62	5.5	26	5993	0.9	2.3	32.5	4570	79
630	AXR 450ML8	460684	892	95.8	95.6	0.83	0.79	69	5.5	27	6742	0.9	2.2	37.2	4890	79
710	AXR 450MP8	460683	893	95.8	95.5	0.81	0.76	80	5.8	36	7589	0.9	2.4	43.4	5300	79
750	AXR 450MQ8	460682	894	95.8	95.5	0.79	0.74	86	6.0	41	8013	0.9	2.5	45.5	5450	79
830	AXR 450MQ8	460681	896	96.1	95.8	0.82	0.77	92	6.0	40	8849	0.7	2.4	57.4	5670	79
900	AXR 500MM8	501685	894	96.3	96.1	0.81	0.76	101	5.9	44	9611	0.8	2.4	52.7	6380	76
1000	AXR 500MP8	501684	894	96.4	96.3	0.83	0.78	110	5.9	45	10680	0.8	2.3	60.1	6820	76
1100	AXR 500MR8	501683	894	96.5	96.3	0.83	0.79	120	5.9	49	11747	0.8	2.4	67.4	7250	76
1150	AXR 500MS8	501682	895	96.5	96.3	0.80	0.75	130	5.9	60	12272	0.8	2.5	72.6	7570	76
1300	AXR 500MS8	501681	897	96.8	96.6	0.82	0.78	143	6.0	59	13843	0.6	2.3	94.9	7900	76

Rib cooled motors, type AXR

Technical data

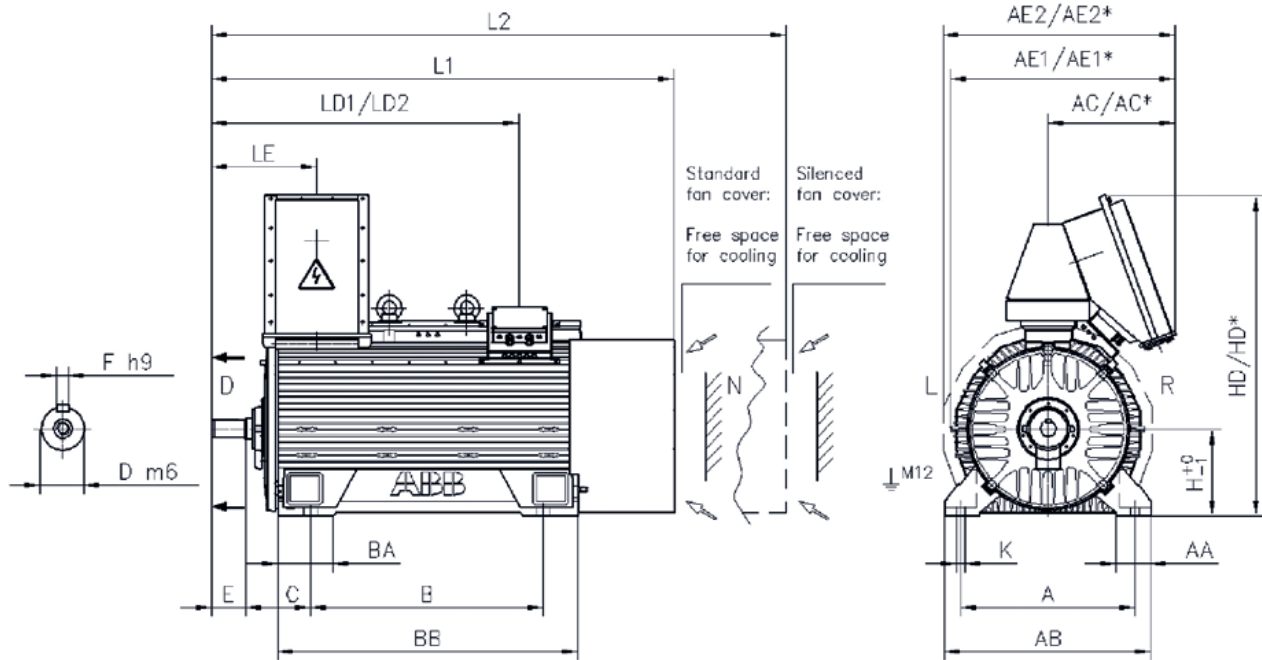
IP55, IC411, insulation class F, temperature rise class B
6600 V, 60 Hz

Output (kW)	Motor type	Product ID	Speed (r/min)	Efficiency		Power factor		Current			Torque			Rotor inertia (kgm ²)	Motor weight (kg)	Sound pressure level <i>L_p</i> (dB(A))
				Full load 100%	3/4 load 75%	Full load 100%	3/4 load 75%	<i>I_N</i> (A)	<i>I_S</i> <i>I_N</i> (pu)	<i>I₀</i> (A)	<i>T_N</i> (Nm)	<i>T_S</i> <i>T_N</i> (pu)	<i>T_{max}</i> <i>T_N</i> (pu)			
720 r/min = 10 poles																
6600 V 60 Hz																
160	AXR 400ME10	4106107	709	92.6	91.9	0.68	0.61	22	4.2	13	2155	0.8	2.1	11.0	2950	75
200	AXR 400MF10	4106106	707	92.8	92.6	0.71	0.66	26	3.7	14	2702	0.7	1.8	11.4	3000	75
224	AXR 400MG10	4106105	710	93.3	92.9	0.70	0.64	30	3.8	16	3014	0.7	1.8	11.8	3090	75
250	AXR 400MJ10	4106104	710	93.5	93.1	0.71	0.65	33	3.8	18	3364	0.7	1.8	13.4	3300	75
280	AXR 400MK10	4106103	710	93.6	93.2	0.70	0.64	37	3.9	20	3765	0.8	1.9	15.0	3510	75
315	AXR 400MM10	4106102	711	93.9	93.5	0.70	0.64	42	3.9	23	4234	0.7	1.9	15.8	3650	75
355	AXR 400MM10	4106101	715	94.4	93.9	0.68	0.61	48	4.2	28	4741	0.6	2.0	20.0	3770	75
355	AXR 450MF10	4606107	713	95.0	95.0	0.75	0.70	43	4.2	21	4754	0.7	1.8	26.2	4120	76
400	AXR 450MG10	4606106	713	95.1	95.2	0.76	0.71	48	4.2	23	5358	0.7	1.8	28.7	4300	76
440	AXR 450MH10	4606105	713	95.3	95.3	0.77	0.72	53	4.2	24	5893	0.7	1.8	32.0	4530	76
500	AXR 450MK10	4606104	713	95.4	95.5	0.77	0.73	60	4.2	27	6696	0.7	1.8	35.8	4790	76
560	AXR 450MN10	4606103	713	95.6	95.6	0.77	0.73	66	4.3	29	7498	0.7	1.8	41.2	5170	76
630	AXR 450MP10	4606102	714	95.7	95.6	0.75	0.69	77	4.7	38	8426	0.8	2.0	44.6	5400	76
670	AXR 450MP10	4606101	716	95.9	95.8	0.77	0.72	79	4.6	36	8939	0.7	1.8	57.4	5630	76
710	AXR 500ML10	5106105	714	95.6	95.4	0.76	0.70	86	5.0	43	9496	0.9	2.1	52.6	6270	78
800	AXR 500MN10	5106104	714	95.7	95.6	0.77	0.72	95	4.8	44	10705	0.8	1.9	59.1	6630	78
900	AXR 500MR10	5106103	715	95.9	95.6	0.75	0.68	110	5.4	57	12028	1.0	2.2	69.4	7220	78
1000	AXR 500MS10	5106102	715	95.9	95.6	0.74	0.67	124	5.6	68	13359	1.0	2.3	75.8	7590	78
1120	AXR 500MS10	5106101	717	96.3	96.0	0.76	0.71	134	5.4	65	14924	0.7	2.1	94.1	7860	78
600 r/min = 12 poles																
6600 V 60 Hz																
200	AXR 400MH12	4106124	593	92.7	92.1	0.68	0.60	28	4.6	17	3223	1.0	2.2	19.9	3250	74
224	AXR 400MK12	4106123	592	92.9	92.4	0.69	0.61	31	4.5	18	3612	1.0	2.1	21.2	3370	74
260	AXR 400MM12	4106122	593	93.1	92.6	0.68	0.61	36	4.6	22	4190	1.0	2.2	24.2	3630	74
290	AXR 400MM12	4106121	596	93.8	93.3	0.69	0.62	39	4.6	23	4649	0.8	2.0	30.3	3760	74
315	AXR 450MJ12	4606124	593	93.9	93.5	0.71	0.65	41	4.2	22	5076	0.8	2.0	34.6	4660	75
355	AXR 450ML12	4606123	593	94.0	93.6	0.70	0.64	47	4.4	27	5715	0.9	2.1	39.9	5020	75
410	AXR 450MP12	4606122	592	94.2	94.0	0.73	0.67	52	4.1	27	6609	0.8	1.9	46.1	5430	75
450	AXR 450MP12	4606121	596	94.6	94.0	0.69	0.63	60	4.6	34	7211	0.8	2.0	56.6	5620	75
500	AXR 500MK12	5106125	594	94.5	94.1	0.72	0.66	65	4.1	34	8035	0.7	1.8	50.0	6180	75
550	AXR 500MN12	5106124	594	94.6	94.2	0.72	0.67	70	4.1	36	8839	0.7	1.8	57.0	6580	75
600	AXR 500MQ12	5106123	594	94.7	94.3	0.72	0.67	77	4.2	40	9639	0.7	1.8	64.6	7020	75
680	AXR 500MS12	5106122	594	94.8	94.4	0.73	0.67	86	4.2	44	10924	0.7	1.8	75.3	7640	75
740	AXR 500MS12	5106121	597	95.1	94.5	0.71	0.65	96	4.5	53	11833	0.6	1.9	95.7	7910	75

Rib cooled motors, type AXR

Dimension drawings

IEC, antifriction bearings, $1 < UN \leq 11$ kV, IM 1001, IC411



AXR	Poles	A	B	C	D	E	F	H	K	AA	AB	BA	BB	L1	L2	LD1	LD2	LE
315M	2	710	800	280	70	140	20	315	35	140	800	236	1070	1755	2215	1175	925	445
315M	≥ 4	710	800	280	80	170	22	315	35	140	800	236	1070	1785	2245	1205	955	475
355M	2	710	950	265	70	140	20	355	35	140	840	226	1225	1895	2355	1260	960	430
355M	≥ 4	710	950	265	90	170	25	355	35	140	840	226	1225	1925	2385	1290	990	460
400M	2	800	1250	224	80	170	22	400	35	160	900	229	1430	2145	2670	1525	1075	470
400M	≥ 4	800	1250	224	110	210	28	400	35	160	900	229	1430	2185	2710	1565	1115	510
450M	2	900	1250	355	90	170	25	450	42	170	1050	285	1610	2365	2935	1705	1405	500
450M	≥ 4	900	1250	355	110	210	28	450	42	170	1050	285	1610	2405	2975	1745	1445	540
500M	2	NA	NA	NA	NA	NA	NA	NA	NA	NA	NA	NA	NA	NA	NA	NA	NA	NA
500M	≥ 4	1120	1500	315	140	250	36	500	42	200	1250	266	1780	2720	3325	1985	1535	590

AXR	Poles	AC	AC*)	AE1	AE1*)	AE2	AE2*)	HD	HD*)
315M	2	525	NA	910	NA	940	NA	1260	NA
315M	≥ 4	525	NA	910	NA	940	NA	1260	NA
355M	2	525	NA	920	NA	960	NA	1310	NA
355M	≥ 4	525	NA	920	NA	960	NA	1310	NA
400M	2	525	685	970	1130	1000	1160	1425	1610
400M	≥ 4	525	685	970	1130	1000	1160	1425	1610
450M	2	525	685	1030	1190	1065	1220	1555	1745
450M	≥ 4	525	685	1030	1190	1065	1220	1555	1745
500M	2	NA	NA	NA	NA	NA	NA	NA	NA
500M	≥ 4	525	685	1085	1245	1115	1275	1680	1870

*) Dimension for 6.6 kV $< UN \leq 11$ kV

1) Standard fan cover

2) Silenced fan cover

Note: 450 2p antifriction bearing only available for 50 Hz

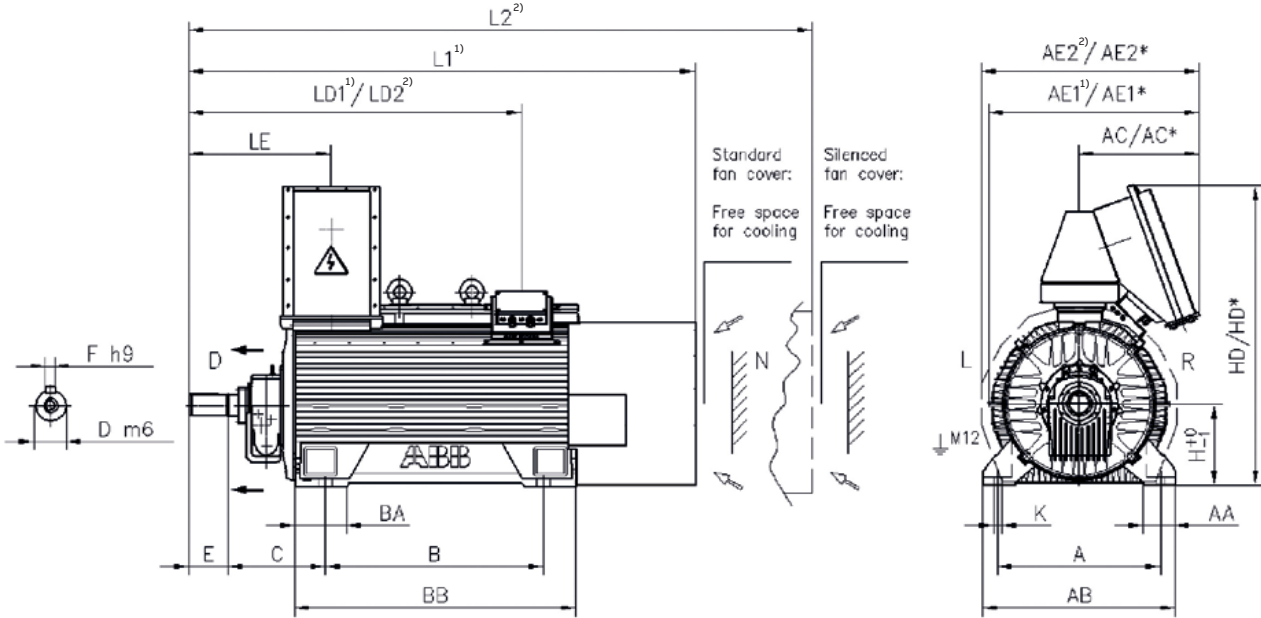
Note: 500 only available with ≥ 4 p

Table gives main dimensions in mm.

Rib cooled motors, type AXR

Dimension drawings

IEC, sleeve bearings, 1 < UN ≤ 11 kV, IM 1001, IC411



AXR	Poles	A	B	C	D	E	F	H	K	AA	AB	BA	BB	L1	L2	LD1	LD2	LE
315M	2	NA	NA	NA	NA	NA	NA	NA	NA	NA	NA	NA	NA	NA	NA	NA	NA	NA
315M	≥4	NA	NA	NA	NA	NA	NA	NA	NA	NA	NA	NA	NA	NA	NA	NA	NA	NA
355M	2	710	950	425	70	140	20	355	35	140	840	226	1225	2180	2640	1420	1120	590
355M	≥4	710	950	425	90	170	25	355	35	140	840	226	1225	2210	2670	1450	1150	620
400M	2	800	1250	375	80	170	22	400	35	160	900	229	1430	2405	2930	1680	1225	625
400M	≥4	800	1250	375	110	210	28	400	35	160	900	229	1430	2445	2970	1720	1270	660
450M	2	900	1250	450	90	170	25	450	42	170	1050	285	1610	2520	3090	1800	1500	590
450M	≥4	900	1250	450	110	210	28	450	42	170	1050	285	1610	2560	3130	1840	1540	630
500M	2	1120	1500	425	100	210	28	500	42	200	1250	266	1780	2760	3365	2055	1605	660
500M	≥4	1120	1500	560	140	250	36	500	42	200	1250	266	1780	3130	3735	2230	1780	830

AXR	Poles	AC	AC ^{*)}	AE1	AE1 ^{*)}	AE2	AE2 ^{*)}	HD	HD ^{*)}
315M	2	NA	NA	NA	NA	NA	NA	NA	NA
315M	≥4	NA	NA	NA	NA	NA	NA	NA	NA
355M	2	525	NA	920	NA	960	NA	1310	NA
355M	≥4	525	NA	920	NA	960	NA	1310	NA
400M	2	525	685	970	1130	1000	1160	1425	1610
400M	≥4	525	685	970	1130	1000	1160	1425	1610
450M	2	525	685	1030	1190	1065	1220	1555	1745
450M	≥4	525	685	1030	1190	1065	1220	1555	1745
500M	2	525	685	1085	1245	1115	1275	1680	1870
500M	≥4	525	685	1085	1245	1115	1275	1680	1870

^{*)} Dimension for 6.6 kV < UN ≤ 11 kV

¹⁾ Standard fan cover

²⁾ Silenced fan cover

Note: Shaft height 315 not available

Table gives main dimensions in mm.

Modular induction motors, type AMI

High reliability and availability

When you want to make your operations more reliable, productive and energy efficient, you can count on ABB's modular induction motors.

AMI engineered modular induction motors provide reliability and availability in the toughest and most demanding applications.

Engineered modular induction motors are tailor-made to meet the needs of each customer and each application. Built from the motor industry's most successful modular platform, they match a broad variety of demanding application requirements while having the flexibility to be adapted to highly specific configurations.

ABB's modular induction motors comply with all relevant international standards. Versions are available for both direct-on-line (DOL) and variable speed drive (VSD) operation.

AMI modular induction motors have a welded steel frame. They are available with the following cooling methods and protection types as standard: IC01/IP24W, IC611/IP55 and IC81W/IP55. The standard shaft heights are 400 to 630 mm. The motors can be mounted horizontally or vertically.

For AMI motors this catalog shows the technical data at 50 Hz only, but these motors are operating at both 50 Hz and 60 Hz, with synchronous speed from 500 to 3600 rpm. Output powers for AMI motors covered in this catalogue are up to 8,000 kW, while the complete range goes up to 23,000 kW.

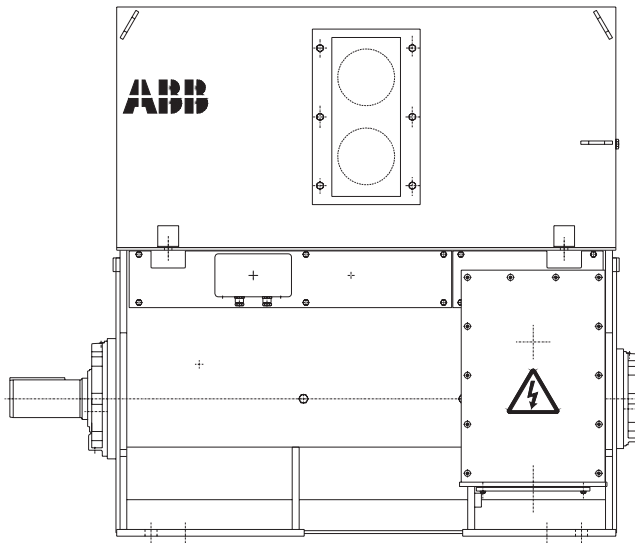


Modular induction motors, type AMI

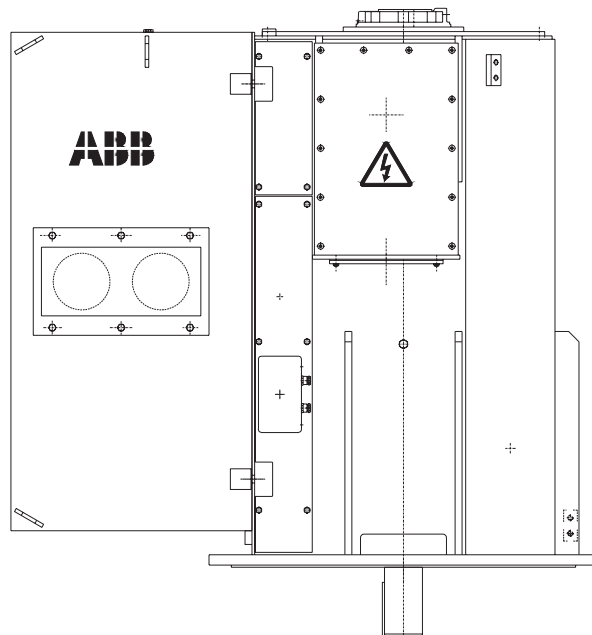
Mounting arrangements

Standard mounting arrangements for AMI motors. Other mountings available on request.

19
Code I: IM B3
Code II: IM 1001
Horizontal foot mounted



20
Code I: IM V1
Code II: IM 4011
Vertical flange mounted
(free shaft end facing downwards)



Modular induction motors, type AMI

Enclosure and cooling

—
21
IC01 / IP24
—
22
IC611 / IP55
—
23
IC81W / IP55
—
24
IC31 / IP55
—
25
IC01

Standard combinations for AMI motors:

IC01 / IP24

This weather protected motor has a shaft mounted cooling fan inside the housing. The design of the motor reduces the ingress of rain, snow and airborne particles into the electrical parts. On the air intake path this is achieved by ensuring that the average velocity does not exceed 3 m/s, allowing any heavier particles to settle. The design of the air intake path includes three acute direction changes in excess of 90 degrees to further reduce the flow rate to the optimal level. The motor is protected against splashing water from any direction.

IC611 / IP55

This design has an air-to-air heat exchanger mounted on the motor, which is fully enclosed. Shaft mounted fans are fitted both inside and outside of the casing to supply the inside and outside cooling circuits respectively. The motor is protected against dust and splashing water from any direction.

IC81W / IP55

This fully enclosed motor is fitted with an air-to-water heat exchanger. A shaft mounted fan is fitted inside the casing to supply the internal cooling circuit. The motor is protected against dust and splashing water from any direction.

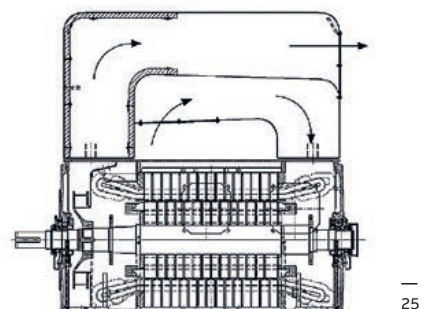
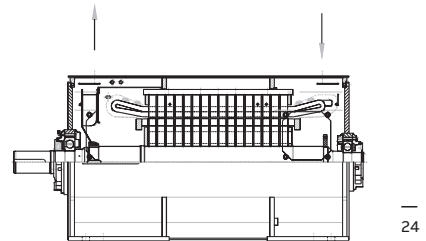
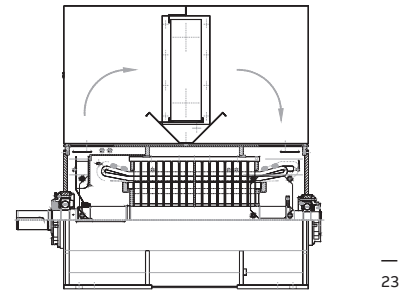
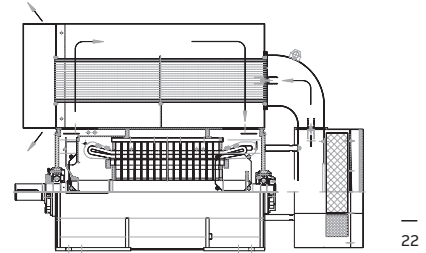
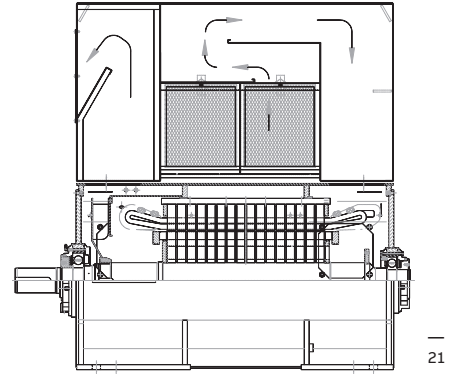
The terminal boxes have a protection rating of at least IP55.

IC31 / IP55

This version is fitted with inlet and outlet pipes to use remote cooling air. Essentially this is the AMI motor frame without an upper cover. The motor is protected against dust and splashing water from any direction.

IC01

IC01 with asymmetric inside air circulation.



Modular induction motors, type AMI

Type designation

The type designation of the AMI motor follows the coding principle shown below.

Example: AMI 450L4A BATH

1	AM	General type designations
2	I	Indicates the type of motor, A, I = SCIM, K, L = WRIM
3	450	Shaft centre height in mm; 355, 400, 450, 500, 560, 630
4	L	Frame length, S = small, M = medium or L = long
5	4	Number of poles
6	A	Stands for the IC/IP combination A = IC611 / IP54 (55) [TEAAC] air-to-air cooled D = IC01 / IP23 [WP I] open ("drip proof") L = IC81W / IP54 (55) [TEWAC] air-to-water cooled P = IC11, 21, 31 / IP23, 54, (55) [OPV, TEPV] pipe ventilated W = IC01 / IPW24 [WP II] weather protected
7	B	Mounting arrangement, B = IM1001 (horizontal), V = IM4011 (vertical)
8	A	Bearing type, A = antifriction, S = sleeve
9	T	Indication of special construction T = separate ventilation M = marine application Y = mechanically special F = frequency converter drive X = electrically special Z = special material specs
10	H	Location of manufacture

Modular induction motors, type AMI

Technical data

IP24W, IC01, insulation class F, temperature rise class B
690 V, 50 Hz

Output (kW)	Motor type	Product ID	Speed (r/min)	Efficiency		Power factor		Current			Torque			Rotor inertia (kgm ²)	Motor weight (kg)	Sound pressure level <i>L_p</i> (dB(A))
				Full load 100%	3/4 load 75%	Full load 100%	3/4 load 75%	<i>I_N</i> (A)	<i>I_S</i> <i>I_N</i> (pu)	<i>I₀</i> (A)	<i>T_N</i> (Nm)	<i>T_S</i> <i>T_N</i> (pu)	<i>T_{max}</i> <i>T_N</i> (pu)			
3000 r/min = 2 poles																
690 V 50 Hz																
630	AMI 400L2W	19038	2981	96.2	96.1	0.86	0.83	636	5.7	204	2018	0.5	2.5	6.0	2910	82
710	AMI 400L2W	19039	2978	96.2	96.2	0.87	0.85	711	5.1	204	2277	0.4	2.3	6.0	2910	82
800	AMI 400L2W	19040	2974	96.0	96.3	0.87	0.86	799	4.5	204	2569	0.4	2.0	6.0	2910	82
900	AMI 400L2W	19041	2980	96.5	96.6	0.87	0.85	892	5.7	258	2884	0.5	2.5	6.9	3140	82
1000	AMI 400L2W	19042	2977	96.5	96.7	0.88	0.86	986	5.2	258	3208	0.4	2.3	6.9	3140	82
1200	AMI 400L2W	16117	2974	96.3	96.7	0.89	0.89	1169	4.6	218	3854	0.5	1.9	7.8	3330	82
1400	AMI 450L2W	16118	2976	96.5	96.8	0.89	0.88	1370	4.6	297	4493	0.4	2.0	11.8	4140	83
1600	AMI 450L2W	16119	2977	96.7	96.9	0.89	0.88	1561	5.0	343	5132	0.6	2.1	13.5	4400	83
1800	AMI 500L2W	16120	2981	96.6	96.7	0.89	0.88	1758	4.9	424	5767	0.4	2.1	20.3	5150	84
2000	AMI 500L2W	16121	2979	96.8	96.9	0.90	0.89	1911	5.3	433	6410	0.4	2.3	21.5	5400	84
2240	AMI 500L2W	16122	2982	97.0	97.1	0.90	0.90	2137	5.3	456	7174	0.5	2.2	24.0	5740	84
2500	AMI 500L2W	16123	2983	97.1	97.2	0.88	0.86	2452	5.4	637	8002	0.5	2.3	25.4	5910	84
1500 r/min = 4 poles																
690 V 50 Hz																
630	AMI 400L4W	19043	1487	96.0	96.1	0.88	0.86	624	5.9	192	4046	0.7	2.5	15.0	3010	79
710	AMI 400L4W	19044	1486	96.0	96.2	0.88	0.87	700	5.3	194	4562	0.6	2.2	15.1	3010	79
800	AMI 400L4W	19045	1485	96.1	96.3	0.89	0.87	787	5.5	220	5144	0.7	2.3	16.0	3110	79
900	AMI 400L4W	19046	1484	96.0	96.3	0.88	0.87	887	4.9	222	5790	0.6	2.0	16.1	3120	79
1000	AMI 400L4W	19047	1484	96.2	96.5	0.88	0.86	991	5.2	269	6433	0.7	2.1	17.1	3230	79
1120	AMI 400L4W	16128	1484	96.1	96.5	0.87	0.86	1116	4.7	288	7207	0.6	1.8	17.2	3230	79
1250	AMI 400L4W	16129	1484	96.0	96.5	0.88	0.87	1241	4.7	302	8046	0.6	1.8	18.2	3300	79
1300	AMI 400L4W	16130	1483	96.0	96.5	0.88	0.89	1286	4.1	248	8371	0.5	1.6	19.4	3420	79
1600	AMI 450L4W	16131	1487	96.2	96.5	0.88	0.87	1585	4.7	402	10277	0.6	1.8	31.4	4180	80
1800	AMI 450L4W	16132	1488	96.5	96.8	0.89	0.88	1753	5.3	434	11555	0.7	2.1	35.1	4460	80
2000	AMI 450L4W	16133	1486	96.3	96.7	0.89	0.88	1958	4.6	436	12854	0.6	1.8	35.0	4470	80
2240	AMI 500L4W	16134	1489	96.4	96.7	0.88	0.88	2200	4.8	501	14363	0.6	1.8	56.7	5520	81
2500	AMI 500L4W	16135	1490	96.8	97.0	0.89	0.88	2435	5.3	576	16021	0.7	2.0	62.6	5900	81
1000 r/min = 6 poles																
690 V 50 Hz																
450	AMI 400L6W	19048	990	95.8	95.9	0.85	0.82	463	5.5	166	4339	0.7	2.2	16.9	2930	77
500	AMI 400L6W	19049	991	95.8	95.7	0.79	0.73	554	5.8	264	4816	0.9	2.4	16.9	2930	77
560	AMI 400L6W	19050	990	95.8	95.9	0.83	0.78	591	5.8	243	5402	0.9	2.4	18.0	3020	77
630	AMI 400L6W	19051	990	95.8	96.0	0.83	0.79	664	5.2	256	6079	0.8	2.1	18.2	3020	77
710	AMI 400L6W	19052	990	95.8	95.9	0.80	0.75	776	5.6	350	6846	0.9	2.3	19.3	3100	77
800	AMI 400L6W	19053	989	95.8	96.1	0.84	0.82	827	5.0	285	7723	0.7	2.0	20.8	3200	77
900	AMI 400L6W	19054	988	95.8	96.1	0.82	0.78	964	5.0	381	8696	0.8	2.0	20.6	3230	77
1000	AMI 400L6W	19055	988	95.8	96.2	0.85	0.82	1033	4.9	346	9668	0.7	2.0	23.1	3410	77
1120	AMI 450L6W	16147	988	95.9	96.4	0.87	0.86	1119	4.7	299	10822	0.7	1.9	35.5	3950	78
1250	AMI 450L6W	16148	989	96.1	96.5	0.87	0.85	1255	5.0	370	12064	0.7	2.0	37.9	4080	78
1400	AMI 450L6W	16149	989	96.1	96.6	0.87	0.86	1393	5.0	377	13518	0.7	2.0	42.2	4330	78
1600	AMI 450L6W	16150	989	96.3	96.7	0.87	0.85	1605	4.9	462	15441	0.7	1.9	44.4	4490	78
1800	AMI 500L6W	16151	991	96.4	96.8	0.87	0.86	1785	5.2	485	17343	0.7	2.0	69.2	5530	79
2000	AMI 500L6W	16152	991	96.6	96.9	0.88	0.87	1971	5.4	522	19265	0.8	2.0	76.4	5840	79
2240	AMI 500L6W	16153	991	96.5	96.9	0.89	0.88	2193	5.2	522	21592	0.8	1.9	80.5	5980	79

Modular induction motors, type AMI

Technical data

IP24W, IC01, insulation class F, temperature rise class B
690 V, 50 Hz

Output (kW)	Motor type	Product ID	Speed (r/min)	Efficiency		Power factor		Current			Torque			Rotor inertia (kgm ²)	Motor weight (kg)	Sound pressure level <i>L_p</i> (dB(A))
				Full load 100%	3/4 load 75%	Full load 100%	3/4 load 75%	<i>I_N</i> (A)	<i>I_S</i> <i>I_N</i> (pu)	<i>I₀</i> (A)	<i>T_N</i> (Nm)	<i>T_S</i> <i>T_N</i> (pu)	<i>T_{max}</i> <i>T_N</i> (pu)			
750 r/min = 8 poles			690 V 50 Hz													
280	AMI 400L8W	19056	739	95.0	95.3	0.82	0.79	301	4.6	111	3617	1.0	1.8	17.4	2800	75
315	AMI 400L8W	19057	739	95.0	95.5	0.83	0.81	333	4.4	113	4070	0.8	1.7	17.6	2800	75
355	AMI 400L8W	19058	737	94.7	95.4	0.84	0.83	373	4.0	113	4600	0.7	1.6	17.6	2800	75
400	AMI 400L8W	19059	738	95.1	95.6	0.83	0.81	425	4.2	145	5173	0.8	1.7	17.7	2820	75
450	AMI 400L8W	19060	737	94.8	95.5	0.84	0.82	474	4.1	148	5832	0.7	1.6	19.0	2900	75
500	AMI 400L8W	19061	737	94.9	95.6	0.84	0.82	525	4.2	163	6479	0.8	1.6	20.4	3000	75
560	AMI 400L8W	19062	739	95.3	95.8	0.83	0.80	591	4.5	211	7232	0.7	1.8	22.2	3110	75
630	AMI 400L8W	19063	741	95.4	95.8	0.81	0.78	684	4.4	266	8115	0.7	1.7	22.7	3100	75
710	AMI 400L8W	19064	739	95.2	95.8	0.83	0.80	750	4.5	270	9176	0.7	1.8	25.1	3290	75
800	AMI 450L8W	19065	740	95.6	96.0	0.83	0.80	844	4.6	307	10323	0.7	1.9	37.9	3810	76
900	AMI 450L8W	19066	738	95.3	95.9	0.84	0.82	938	4.3	304	11639	0.7	1.7	40.4	3910	76
1000	AMI 450L8W	19067	739	95.6	96.2	0.84	0.83	1042	4.2	315	12918	0.6	1.6	43.5	4070	76
1120	AMI 500L8W	16171	742	96.0	96.2	0.86	0.84	1141	4.9	353	14414	0.7	1.9	76.2	5330	77
1250	AMI 500L8W	16172	742	96.0	96.3	0.85	0.83	1277	5.0	405	16086	0.7	1.9	80.6	5490	77
1400	AMI 500L8W	16173	742	96.1	96.4	0.86	0.84	1417	4.9	414	18021	0.7	1.9	89.5	5800	77
1600	AMI 500L8W	16174	742	96.1	96.5	0.86	0.85	1614	4.8	456	20599	0.7	1.8	98.4	6120	77
600 r/min = 10 poles			690 V 50 Hz													
224	AMI 400L10W	16183	592	94.2	94.3	0.75	0.70	265	4.2	126	3615	0.7	1.8	17.7	2800	75
250	AMI 400L10W	16184	592	94.4	94.4	0.75	0.70	296	4.3	145	4032	0.8	1.8	19.1	2900	75
280	AMI 400L10W	16185	593	94.5	94.5	0.73	0.67	338	4.6	177	4511	0.9	1.9	20.6	3000	75
315	AMI 400L10W	16186	593	94.7	94.6	0.73	0.67	381	4.8	202	5071	0.9	2.0	23.4	3210	75
355	AMI 400L10W	16187	592	94.7	94.7	0.75	0.70	419	4.3	202	5725	0.8	1.8	23.4	3200	75
400	AMI 400L10W	16188	592	94.6	94.8	0.76	0.71	467	4.2	215	6455	0.8	1.7	24.9	3280	75
450	AMI 400L10W	16189	592	94.7	94.9	0.76	0.72	521	4.2	233	7263	0.8	1.7	27.7	3490	75
500	AMI 450L10W	16190	592	95.3	95.6	0.81	0.77	542	4.5	214	8066	0.8	1.8	40.7	3910	76
560	AMI 450L10W	16191	592	95.2	95.6	0.82	0.79	599	4.5	224	9035	0.8	1.8	46.1	4170	76
630	AMI 450L10W	16192	592	95.3	95.7	0.83	0.80	668	4.4	238	10168	0.8	1.8	51.5	4420	76
710	AMI 500L10W	16193	593	95.6	95.9	0.84	0.81	744	4.8	266	11432	0.8	1.9	72.2	5160	77
800	AMI 500L10W	16194	593	95.6	96.0	0.84	0.82	833	4.6	280	12890	0.7	1.8	76.6	5320	77
900	AMI 500L10W	16195	592	95.8	96.2	0.84	0.82	933	4.5	301	14508	0.7	1.8	81.1	5480	77
1000	AMI 500L10W	16196	593	95.9	96.2	0.85	0.82	1031	4.7	336	16109	0.8	1.8	94.6	5930	77
1120	AMI 500L10W	16197	593	95.9	96.3	0.85	0.83	1150	4.6	355	18050	0.7	1.8	103.5	6250	77
500 r/min = 12 poles			690 V 50 Hz													
160	AMI 400L12W	16198	492	92.7	92.7	0.70	0.64	205	3.7	111	3106	0.7	1.7	16.3	2710	75
180	AMI 400L12W	16199	492	92.9	92.9	0.71	0.65	229	3.7	122	3494	0.7	1.7	17.7	2810	75
200	AMI 400L12W	16200	492	93.0	93.0	0.71	0.65	254	3.7	136	3881	0.7	1.7	19.2	2900	75
224	AMI 400L12W	16201	492	93.4	93.3	0.71	0.66	281	3.8	148	4344	0.8	1.8	22.1	3110	75
250	AMI 400L12W	16202	493	93.4	93.3	0.71	0.65	315	3.9	169	4847	0.8	1.8	23.5	3200	75
280	AMI 400L12W	16203	493	93.5	93.4	0.71	0.65	355	3.9	192	5427	0.8	1.8	25.0	3300	75
315	AMI 400L12W	16204	494	93.7	93.5	0.68	0.61	414	4.1	247	6090	0.8	1.9	26.7	3400	75
355	AMI 450L12W	16205	493	94.7	94.9	0.76	0.71	414	4.1	197	6875	0.7	1.8	40.8	3920	76
400	AMI 450L12W	16206	493	94.9	95.1	0.76	0.71	463	4.2	218	7744	0.8	1.8	46.2	4170	76
450	AMI 450L12W	16207	493	94.9	95.1	0.76	0.70	525	4.2	252	8710	0.8	1.8	48.9	4280	76
500	AMI 450L12W	16208	493	95.0	95.2	0.77	0.72	575	4.2	264	9680	0.8	1.8	54.4	4530	76
630	AMI 500L12W	16209	494	95.3	95.5	0.78	0.74	709	4.3	313	12175	0.7	1.8	81.3	5480	77
710	AMI 500L12W	16210	494	95.5	95.7	0.79	0.75	788	4.3	332	13725	0.7	1.8	90.3	5790	77
800	AMI 500L12W	16211	494	95.4	95.7	0.80	0.76	881	4.2	352	15469	0.7	1.7	103.8	6270	77

Modular induction motors, type AMI

Technical data

IP55, IC611, insulation class F, temperature rise class B
690 V, 50 Hz

Output (kW)	Motor type	Product ID	Speed (r/min)	Efficiency		Power factor		Current			Torque			Rotor inertia (kgm ²)	Motor weight (kg)	Sound pressure level <i>L_p</i> (dB(A))
				Full load 100%	3/4 load 75%	Full load 100%	3/4 load 75%	<i>I_N</i> (A)	<i>I_S</i> <i>I_N</i> (pu)	<i>I₀</i> (A)	<i>T_N</i> (Nm)	<i>T_S</i> <i>T_N</i> (pu)	<i>T_{max}</i> <i>T_N</i> (pu)			
3000 r/min = 2 poles																
690 V 50 Hz																
630	AMI 400L2A	19010	2982	95.8	95.5	0.87	0.85	633	5.9	182	2017	0.5	2.5	8.4	3420	85
710	AMI 400L2A	19011	2981	95.8	95.5	0.84	0.80	741	5.9	254	2274	0.5	2.6	8.1	3300	85
800	AMI 400L2A	19012	2980	95.9	95.8	0.86	0.83	812	5.9	251	2564	0.6	2.6	8.1	3300	85
900	AMI 400L2A	19013	2979	96.0	96.0	0.87	0.85	896	5.7	259	2885	0.5	2.5	7.9	3300	85
1000	AMI 400L2A	19014	2975	95.9	96.0	0.88	0.86	992	5.1	259	3210	0.4	2.3	7.9	3300	85
1120	AMI 450L2A	16005	2977	95.8	95.8	0.88	0.88	1109	4.7	239	3593	0.5	2.0	11.6	4280	86
1250	AMI 450L2A	16006	2980	96.2	96.2	0.88	0.87	1233	5.1	294	4006	0.5	2.2	12.1	4450	86
1400	AMI 450L2A	16007	2979	96.3	96.3	0.88	0.87	1380	5.0	299	4488	0.5	2.1	13.8	4740	86
1600	AMI 500L2A	16008	2983	96.2	96.1	0.88	0.87	1575	5.4	423	5122	0.5	2.3	21.6	5370	87
1800	AMI 500L2A	16009	2981	96.4	96.4	0.89	0.88	1750	5.3	438	5765	0.4	2.3	22.6	5620	87
2000	AMI 500L2A	16010	2984	96.6	96.6	0.89	0.88	1940	5.4	460	6401	0.4	2.3	25.2	5960	87
2240	AMI 500L2A	16011	2985	96.8	96.7	0.87	0.85	2234	5.7	643	7166	0.5	2.4	26.6	6130	87
1500 r/min = 4 poles																
690 V 50 Hz																
800	AMI 400L4A	19015	1489	96.0	95.9	0.88	0.86	794	5.8	242	5129	0.7	2.3	19.7	3510	79
900	AMI 400L4A	19016	1488	96.0	96.1	0.89	0.88	881	5.6	236	5777	0.7	2.2	19.9	3510	79
1000	AMI 450L4A	19017	1491	96.0	95.9	0.89	0.86	984	5.8	289	6405	0.6	2.3	30.5	4190	81
1100	AMI 400L4A	16017	1486	95.9	96.2	0.89	0.88	1077	4.9	254	7068	0.6	1.9	20.9	3580	79
1250	AMI 450L4A	16018	1486	95.8	96.0	0.89	0.89	1226	4.7	280	8032	0.6	1.8	30.1	4180	81
1400	AMI 450L4A	16019	1489	96.0	96.1	0.88	0.86	1392	5.4	402	8981	0.6	2.1	33.5	4390	81
1600	AMI 450L4A	16020	1489	96.3	96.3	0.88	0.86	1576	5.6	446	10261	0.7	2.2	37.0	4670	81
1800	AMI 500L4A	16021	1490	96.1	96.2	0.88	0.87	1773	5.3	455	11540	0.6	2.1	52.6	5490	82
2000	AMI 500L4A	16022	1490	96.3	96.4	0.91	0.90	1920	5.2	396	12821	0.6	2.0	59.2	5780	82
2240	AMI 500L4A	16023	1491	96.6	96.6	0.90	0.89	2162	5.5	501	14349	0.6	2.1	64.8	6160	82
1000 r/min = 6 poles																
690 V 50 Hz																
450	AMI 400L6A	19018	992	95.8	95.7	0.86	0.83	459	5.6	160	4330	0.7	2.2	22.5	3400	78
500	AMI 400L6A	19019	993	95.9	95.7	0.83	0.79	528	5.6	212	4808	0.8	2.1	22.7	3400	78
560	AMI 400L6A	19020	992	95.8	95.8	0.84	0.80	583	5.8	226	5391	0.8	2.3	22.3	3400	78
630	AMI 400L6A	19021	992	95.8	95.6	0.79	0.74	693	5.8	327	6065	0.9	2.3	23.0	3490	78
710	AMI 400L6A	19022	991	95.8	95.8	0.83	0.78	749	5.8	306	6844	0.8	2.4	23.3	3490	78
800	AMI 400L6A	19023	990	95.8	96.0	0.84	0.80	834	5.5	315	7716	0.7	2.3	23.6	3500	78
900	AMI 450L6A	19024	990	95.8	96.1	0.87	0.85	904	5.2	272	8681	0.7	2.1	35.7	4040	79
1000	AMI 450L6A	19025	990	95.9	96.1	0.86	0.83	1018	5.2	329	9648	0.7	2.1	35.7	4060	79
1120	AMI 450L6A	16038	989	95.9	96.3	0.87	0.86	1118	4.9	305	10813	0.7	1.9	39.8	4300	79
1250	AMI 450L6A	16039	989	96.1	96.4	0.88	0.87	1237	5.0	324	12065	0.7	1.9	44.3	4550	79
1400	AMI 450L6A	16040	991	96.3	96.5	0.86	0.83	1413	5.6	462	13491	0.8	2.2	46.6	4690	79
1600	AMI 500L6A	16041	992	96.3	96.6	0.88	0.87	1570	5.5	412	15403	0.8	2.0	75.3	5930	79
1800	AMI 500L6A	16042	992	96.5	96.7	0.89	0.87	1763	5.5	455	17327	0.8	2.0	82.3	6230	79
2000	AMI 500L6A	16043	994	96.5	96.6	0.87	0.84	2001	7.2	674	19217	1.1	2.8	100.3	6340	79

Modular induction motors, type AMI

Technical data

IP55, IC611, insulation class F, temperature rise class B
690 V, 50 Hz

Output (kW)	Motor type	Product ID	Speed (r/min)	Efficiency		Power factor		Current			Torque			Rotor inertia (kgm ²)	Motor weight (kg)	Sound pressure level <i>L_p</i> (dB(A))
				Full load 100%	3/4 load 75%	Full load 100%	3/4 load 75%	<i>I_N</i> (A)	<i>I_S</i> <i>I_N</i> (pu)	<i>I₀</i> (A)	<i>T_N</i> (Nm)	<i>T_S</i> <i>T_N</i> (pu)	<i>T_{max}</i> <i>T_N</i> (pu)			
750 r/min = 8 poles																
690 V 50 Hz																
280	AMI 400L8A	19026	739	94.7	95.0	0.82	0.79	302	4.6	111	3619	1.0	1.8	18.9	2960	77
315	AMI 400L8A	19027	739	94.7	95.1	0.83	0.81	334	4.4	113	4073	0.8	1.7	19.1	2970	77
355	AMI 400L8A	19028	740	95.1	95.3	0.82	0.79	380	4.7	145	4582	0.9	1.9	19.2	2990	77
400	AMI 400L8A	19029	738	94.8	95.3	0.83	0.81	426	4.2	145	5176	0.8	1.7	19.2	2990	77
450	AMI 400L8A	19030	737	94.7	95.3	0.83	0.82	477	4.1	153	5828	0.7	1.6	20.6	3070	77
500	AMI 400L8A	19031	737	94.8	95.4	0.84	0.82	528	4.1	168	6476	0.8	1.6	22.0	3170	77
560	AMI 400L8A	19032	738	95.0	95.5	0.83	0.81	594	4.2	197	7241	0.8	1.6	23.6	3270	77
630	AMI 400L8A	19033	741	95.4	95.7	0.82	0.79	672	4.9	261	8122	0.8	1.9	26.7	3460	77
710	AMI 450L8A	19034	737	95.0	95.6	0.85	0.84	733	4.0	207	9194	0.6	1.6	39.9	4010	77
800	AMI 450L8A	19035	741	95.5	95.9	0.82	0.80	852	4.4	294	10312	0.7	1.7	40.6	4030	77
900	AMI 450L8A	19036	741	95.6	96.0	0.84	0.82	941	4.6	303	11605	0.7	1.7	45.8	4280	77
1000	AMI 450L8A	19037	742	95.9	96.2	0.83	0.80	1055	4.9	369	12874	0.9	1.8	51.3	4530	77
1120	AMI 500L8A	16062	742	95.9	96.1	0.86	0.84	1142	4.9	354	14414	0.7	1.9	79.6	5580	77
1250	AMI 500L8A	16063	742	95.9	96.2	0.85	0.83	1278	5.0	405	16086	0.7	1.9	84.0	5740	77
1400	AMI 500L8A	16064	743	96.2	96.3	0.86	0.84	1418	5.5	456	17996	0.8	2.1	101.8	6360	77
600 r/min = 10 poles																
690 V 50 Hz																
200	AMI 400L10A	16072	592	93.8	93.8	0.73	0.68	243	4.3	125	3226	0.8	1.9	17.7	2860	76
224	AMI 400L10A	16073	592	94.0	94.1	0.75	0.70	265	4.2	126	3615	0.7	1.8	19.2	2970	76
250	AMI 400L10A	16074	592	94.2	94.3	0.75	0.70	297	4.3	145	4032	0.8	1.8	20.6	3070	76
280	AMI 400L10A	16075	593	94.4	94.3	0.73	0.67	339	4.6	177	4511	0.9	1.9	22.1	3170	76
315	AMI 400L10A	16076	593	94.6	94.4	0.73	0.67	381	4.8	202	5071	0.9	2.0	24.9	3370	76
355	AMI 400L10A	16077	592	94.6	94.6	0.75	0.70	419	4.3	202	5725	0.8	1.8	24.9	3370	76
400	AMI 400L10A	16078	593	94.7	94.7	0.75	0.69	474	4.5	234	6444	0.8	1.8	29.2	3650	76
450	AMI 450L10A	16079	592	95.1	95.4	0.81	0.77	490	4.5	197	7259	0.8	1.9	40.2	3990	76
500	AMI 450L10A	16080	592	95.2	95.5	0.81	0.77	542	4.5	214	8066	0.8	1.8	42.9	4110	76
560	AMI 450L10A	16081	592	95.2	95.5	0.82	0.79	599	4.5	224	9036	0.8	1.8	48.3	4380	76
630	AMI 450L10A	16082	592	95.2	95.6	0.83	0.80	669	4.4	238	10168	0.8	1.8	53.7	4630	76
710	AMI 500L10A	16083	593	95.5	95.8	0.84	0.81	744	4.8	266	11432	0.8	1.9	75.6	5410	76
800	AMI 500L10A	16084	593	95.6	95.9	0.84	0.82	834	4.6	280	12890	0.7	1.8	80.0	5570	76
900	AMI 500L10A	16085	592	95.7	96.1	0.84	0.82	933	4.5	301	14508	0.7	1.8	84.5	5730	76
1000	AMI 500L10A	16086	593	95.8	96.1	0.85	0.82	1032	4.7	336	16109	0.8	1.8	98.0	6180	76
500 r/min = 12 poles																
690 V 50 Hz																
160	AMI 400L12A	16087	492	92.6	92.6	0.70	0.64	206	3.7	111	3106	0.7	1.7	17.8	2880	76
180	AMI 400L12A	16088	492	92.8	92.8	0.71	0.65	229	3.7	122	3494	0.7	1.7	19.2	2970	76
200	AMI 400L12A	16089	492	92.9	92.8	0.71	0.65	254	3.7	136	3881	0.7	1.7	20.7	3060	76
224	AMI 400L12A	16090	492	93.3	93.2	0.71	0.66	281	3.8	148	4344	0.8	1.8	23.6	3280	76
250	AMI 400L12A	16091	493	93.3	93.2	0.71	0.65	315	3.9	169	4847	0.8	1.8	25.0	3360	76
280	AMI 400L12A	16092	492	93.4	93.5	0.73	0.68	345	3.7	172	5433	0.7	1.7	27.9	3560	76
315	AMI 450L12A	16093	493	94.5	94.7	0.75	0.69	372	4.2	184	6097	0.8	1.9	40.3	3990	76
355	AMI 450L12A	16094	493	94.6	94.8	0.76	0.71	414	4.1	197	6875	0.7	1.8	43.0	4120	76
400	AMI 450L12A	16095	493	94.8	95.0	0.76	0.71	464	4.2	218	7744	0.8	1.8	48.4	4380	76
450	AMI 450L12A	16096	493	94.8	95.0	0.76	0.70	525	4.2	252	8710	0.8	1.8	51.1	4490	76
500	AMI 450L12A	16097	493	94.9	95.1	0.77	0.72	575	4.2	264	9680	0.8	1.8	56.6	4740	76
630	AMI 500L12A	16098	494	95.2	95.4	0.78	0.74	710	4.3	313	12175	0.7	1.8	84.7	5730	76
710	AMI 500L12A	16099	494	95.4	95.6	0.79	0.75	789	4.3	332	13725	0.7	1.8	93.7	6040	76
800	AMI 500L12A	16100	494	95.4	95.7	0.80	0.76	881	4.2	352	15469	0.7	1.7	107.2	6520	76

Modular induction motors, type AMI

Technical data

IP55, IC81W, insulation class F, temperature rise class B
690 V, 50 Hz

Output (kW)	Motor type	Product ID	Speed (r/min)	Efficiency		Power factor		Current			Torque			Rotor inertia (kgm ²)	Motor weight (kg)	Sound pressure level <i>L_p</i> (dB(A))
				Full load 100%	3/4 load 75%	Full load 100%	3/4 load 75%	<i>I_N</i> (A)	<i>I_S</i> <i>I_N</i> (pu)	<i>I₀</i> (A)	<i>T_N</i> (Nm)	<i>T_S</i> <i>T_N</i> (pu)	<i>T_{max}</i> <i>T_N</i> (pu)			
3000 r/min = 2 poles																
690 V 50 Hz																
630	AMI 400L2L	19038	2981	96.2	96.1	0.86	0.83	636	5.7	204	2018	0.5	2.5	6.0	2910	82
710	AMI 400L2L	19039	2978	96.2	96.2	0.87	0.85	711	5.1	204	2277	0.4	2.3	6.0	2910	82
800	AMI 400L2L	19040	2974	96.0	96.3	0.87	0.86	799	4.5	204	2569	0.4	2.0	6.0	2910	82
900	AMI 400L2L	19041	2980	96.5	96.6	0.87	0.85	892	5.7	258	2884	0.5	2.5	6.9	3140	82
1000	AMI 400L2L	19042	2977	96.5	96.7	0.88	0.86	986	5.2	258	3208	0.4	2.3	6.9	3140	82
1200	AMI 400L2L	16117	2974	96.3	96.7	0.89	0.89	1169	4.6	218	3854	0.5	1.9	7.8	3330	82
1400	AMI 450L2L	16118	2976	96.5	96.8	0.89	0.88	1370	4.6	297	4493	0.4	2.0	11.8	4140	83
1600	AMI 450L2L	16119	2977	96.7	96.9	0.89	0.88	1561	5.0	343	5132	0.6	2.1	13.5	4400	83
1800	AMI 500L2L	16120	2981	96.6	96.7	0.89	0.88	1758	4.9	424	5767	0.4	2.1	20.3	5150	84
2000	AMI 500L2L	16121	2979	96.8	96.9	0.90	0.89	1911	5.3	433	6410	0.4	2.3	21.5	5400	84
2240	AMI 500L2L	16122	2982	97.0	97.1	0.90	0.90	2137	5.3	456	7174	0.5	2.2	24.0	5740	84
2500	AMI 500L2L	16123	2983	97.1	97.2	0.88	0.86	2452	5.4	637	8002	0.5	2.3	25.4	5910	84
1500 r/min = 4 poles																
690 V 50 Hz																
630	AMI 400L4L	19043	1487	96.0	96.1	0.88	0.86	624	5.9	192	4046	0.7	2.5	15.0	3010	79
710	AMI 400L4L	19044	1486	96.0	96.2	0.88	0.87	700	5.3	194	4562	0.6	2.2	15.1	3010	79
800	AMI 400L4L	19045	1485	96.1	96.3	0.89	0.87	787	5.5	220	5144	0.7	2.3	16.0	3110	79
900	AMI 400L4L	19046	1484	96.0	96.3	0.88	0.87	887	4.9	222	5790	0.6	2.0	16.1	3120	79
1000	AMI 400L4L	19047	1484	96.2	96.5	0.88	0.86	991	5.2	269	6433	0.7	2.1	17.1	3230	79
1120	AMI 400L4L	16128	1484	96.1	96.5	0.87	0.86	1116	4.7	288	7207	0.6	1.8	17.2	3230	79
1250	AMI 400L4L	16129	1484	96.0	96.5	0.88	0.87	1241	4.7	302	8046	0.6	1.8	18.2	3300	79
1300	AMI 400L4L	16130	1483	96.0	96.5	0.88	0.89	1286	4.1	248	8371	0.5	1.6	19.4	3420	79
1600	AMI 450L4L	16131	1487	96.2	96.5	0.88	0.87	1585	4.7	402	10277	0.6	1.8	31.4	4180	80
1800	AMI 450L4L	16132	1488	96.5	96.8	0.89	0.88	1753	5.3	434	11555	0.7	2.1	35.1	4460	80
2000	AMI 450L4L	16133	1486	96.3	96.7	0.89	0.88	1958	4.6	436	12854	0.6	1.8	35.0	4470	80
2240	AMI 500L4L	16134	1489	96.4	96.7	0.88	0.88	2200	4.8	501	14363	0.6	1.8	56.7	5520	81
2500	AMI 500L4L	16135	1490	96.8	97.0	0.89	0.88	2435	5.3	576	16021	0.7	2.0	62.6	5900	81
1000 r/min = 6 poles																
690 V 50 Hz																
450	AMI 400L6L	19048	990	95.8	95.9	0.85	0.82	463	5.5	166	4339	0.7	2.2	16.9	2930	77
500	AMI 400L6L	19049	991	95.8	95.7	0.79	0.73	554	5.8	264	4816	0.9	2.4	16.9	2930	77
560	AMI 400L6L	19050	990	95.8	95.9	0.83	0.78	591	5.8	243	5402	0.9	2.4	18.0	3020	77
630	AMI 400L6L	19051	990	95.8	96.0	0.83	0.79	664	5.2	256	6079	0.8	2.1	18.2	3020	77
710	AMI 400L6L	19052	990	95.8	95.9	0.80	0.75	776	5.6	350	6846	0.9	2.3	19.3	3100	77
800	AMI 400L6L	19053	989	95.8	96.1	0.84	0.82	827	5.0	285	7723	0.7	2.0	20.8	3200	77
900	AMI 400L6L	19054	988	95.8	96.1	0.82	0.78	964	5.0	381	8696	0.8	2.0	20.6	3230	77
1000	AMI 400L6L	19055	988	95.8	96.2	0.85	0.82	1033	4.9	346	9668	0.7	2.0	23.1	3410	77
1120	AMI 450L6L	16147	988	95.9	96.4	0.87	0.86	1119	4.7	299	10822	0.7	1.9	35.5	3950	78
1250	AMI 450L6L	16148	989	96.1	96.5	0.87	0.85	1255	5.0	370	12064	0.7	2.0	37.9	4080	78
1400	AMI 450L6L	16149	989	96.1	96.6	0.87	0.86	1393	5.0	377	13518	0.7	2.0	42.2	4330	78
1600	AMI 450L6L	16150	989	96.3	96.7	0.87	0.85	1605	4.9	462	15441	0.7	1.9	44.4	4490	78
1800	AMI 500L6L	16151	991	96.4	96.8	0.87	0.86	1785	5.2	485	17343	0.7	2.0	69.2	5530	79
2000	AMI 500L6L	16152	991	96.6	96.9	0.88	0.87	1971	5.4	522	19265	0.8	2.0	76.4	5840	79
2240	AMI 500L6L	16153	991	96.5	96.9	0.89	0.88	2193	5.2	522	21592	0.8	1.9	80.5	5980	79

Modular induction motors, type AMI

Technical data

IP55, IC81W, insulation class F, temperature rise class B
690 V, 50 Hz

Output (kW)	Motor type	Product ID	Speed (r/min)	Efficiency		Power factor		Current			Torque			Rotor inertia (kgm ²)	Motor weight (kg)	Sound pressure level <i>L_p</i> (dB(A))
				Full load 100%	3/4 load 75%	Full load 100%	3/4 load 75%	<i>I_N</i> (A)	<i>I_S</i> <i>I_N</i> (pu)	<i>I₀</i> (A)	<i>T_N</i> (Nm)	<i>T_S</i> <i>T_N</i> (pu)	<i>T_{max}</i> <i>T_N</i> (pu)			
750 r/min = 8 poles																
690 V 50 Hz																
280	AMI 400L8L	19056	739	95.0	95.3	0.82	0.79	301	4.6	111	3617	1.0	1.8	17.4	2800	75
315	AMI 400L8L	19057	739	95.0	95.5	0.83	0.81	333	4.4	113	4070	0.8	1.7	17.6	2800	75
355	AMI 400L8L	19058	737	94.7	95.4	0.84	0.83	373	4.0	113	4600	0.7	1.6	17.6	2800	75
400	AMI 400L8L	19059	738	95.1	95.6	0.83	0.81	425	4.2	145	5173	0.8	1.7	17.7	2820	75
450	AMI 400L8L	19060	737	94.8	95.5	0.84	0.82	474	4.1	148	5832	0.7	1.6	19.0	2900	75
500	AMI 400L8L	19061	737	94.9	95.6	0.84	0.82	525	4.2	163	6479	0.8	1.6	20.4	3000	75
560	AMI 400L8L	19062	739	95.3	95.8	0.83	0.80	591	4.5	211	7232	0.7	1.8	22.2	3110	75
630	AMI 400L8L	19063	741	95.4	95.8	0.81	0.78	684	4.4	266	8115	0.7	1.7	22.7	3100	75
710	AMI 400L8L	19064	739	95.2	95.8	0.83	0.80	750	4.5	270	9176	0.7	1.8	25.1	3290	75
800	AMI 450L8L	19065	740	95.6	96.0	0.83	0.80	844	4.6	307	10323	0.7	1.9	37.9	3810	76
900	AMI 450L8L	19066	738	95.3	95.9	0.84	0.82	938	4.3	304	11639	0.7	1.7	40.4	3910	76
1000	AMI 450L8L	19067	739	95.6	96.2	0.84	0.83	1042	4.2	315	12918	0.6	1.6	43.5	4070	76
1120	AMI 500L8L	16171	742	96.0	96.2	0.86	0.84	1141	4.9	353	14414	0.7	1.9	76.2	5330	77
1250	AMI 500L8L	16172	742	96.0	96.3	0.85	0.83	1277	5.0	405	16086	0.7	1.9	80.6	5490	77
1400	AMI 500L8L	16173	742	96.1	96.4	0.86	0.84	1417	4.9	414	18021	0.7	1.9	89.5	5800	77
1600	AMI 500L8L	16174	742	96.1	96.5	0.86	0.85	1614	4.8	456	20599	0.7	1.8	98.4	6120	77
600 r/min = 10 poles																
690 V 50 Hz																
224	AMI 400L10L	16183	592	94.2	94.3	0.75	0.70	265	4.2	126	3615	0.7	1.8	17.7	2800	75
250	AMI 400L10L	16184	592	94.4	94.4	0.75	0.70	296	4.3	145	4032	0.8	1.8	19.1	2900	75
280	AMI 400L10L	16185	593	94.5	94.5	0.73	0.67	338	4.6	177	4511	0.9	1.9	20.6	3000	75
315	AMI 400L10L	16186	593	94.7	94.6	0.73	0.67	381	4.8	202	5071	0.9	2.0	23.4	3210	75
355	AMI 400L10L	16187	592	94.7	94.7	0.75	0.70	419	4.3	202	5725	0.8	1.8	23.4	3200	75
400	AMI 400L10L	16188	592	94.6	94.8	0.76	0.71	467	4.2	215	6455	0.8	1.7	24.9	3280	75
450	AMI 400L10L	16189	592	94.7	94.9	0.76	0.72	521	4.2	233	7263	0.8	1.7	27.7	3490	75
500	AMI 450L10L	16190	592	95.3	95.6	0.81	0.77	542	4.5	214	8066	0.8	1.8	40.7	3910	76
560	AMI 450L10L	16191	592	95.2	95.6	0.82	0.79	599	4.5	224	9035	0.8	1.8	46.1	4170	76
630	AMI 450L10L	16192	592	95.3	95.7	0.83	0.80	668	4.4	238	10168	0.8	1.8	51.5	4420	76
710	AMI 500L10L	16193	593	95.6	95.9	0.84	0.81	744	4.8	266	11432	0.8	1.9	72.2	5160	77
800	AMI 500L10L	16194	593	95.6	96.0	0.84	0.82	833	4.6	280	12890	0.7	1.8	76.6	5320	77
900	AMI 500L10L	16195	592	95.8	96.2	0.84	0.82	933	4.5	301	14508	0.7	1.8	81.1	5480	77
1000	AMI 500L10L	16196	593	95.9	96.2	0.85	0.82	1031	4.7	336	16109	0.8	1.8	94.6	5930	77
1120	AMI 500L10L	16197	593	95.9	96.3	0.85	0.83	1150	4.6	355	18050	0.7	1.8	103.5	6250	77
500 r/min = 12 poles																
690 V 50 Hz																
160	AMI 400L12L	16198	492	92.7	92.7	0.70	0.64	205	3.7	111	3106	0.7	1.7	16.3	2710	75
180	AMI 400L12L	16199	492	92.9	92.9	0.71	0.65	229	3.7	122	3494	0.7	1.7	17.7	2810	75
200	AMI 400L12L	16200	492	93.0	93.0	0.71	0.65	254	3.7	136	3881	0.7	1.7	19.2	2900	75
224	AMI 400L12L	16201	492	93.4	93.3	0.71	0.66	281	3.8	148	4344	0.8	1.8	22.1	3110	75
250	AMI 400L12L	16202	493	93.4	93.3	0.71	0.65	315	3.9	169	4847	0.8	1.8	23.5	3200	75
280	AMI 400L12L	16203	493	93.5	93.4	0.71	0.65	355	3.9	192	5427	0.8	1.8	25.0	3300	75
315	AMI 400L12L	16204	494	93.7	93.5	0.68	0.61	414	4.1	247	6090	0.8	1.9	26.7	3400	75
355	AMI 450L12L	16205	493	94.7	94.9	0.76	0.71	414	4.1	197	6875	0.7	1.8	40.8	3920	76
400	AMI 450L12L	16206	493	94.9	95.1	0.76	0.71	463	4.2	218	7744	0.8	1.8	46.2	4170	76
450	AMI 450L12L	16207	493	94.9	95.1	0.76	0.70	525	4.2	252	8710	0.8	1.8	48.9	4280	76
500	AMI 450L12L	16208	493	95.0	95.2	0.77	0.72	575	4.2	264	9680	0.8	1.8	54.4	4530	76
630	AMI 500L12L	16209	494	95.3	95.5	0.78	0.74	709	4.3	313	12175	0.7	1.8	81.3	5480	77
710	AMI 500L12L	16210	494	95.5	95.7	0.79	0.75	788	4.3	332	13725	0.7	1.8	90.3	5790	77
800	AMI 500L12L	16211	494	95.4	95.7	0.80	0.76	881	4.2	352	15469	0.7	1.7	103.8	6270	77

Modular induction motors, type AMI

Technical data

IP55, IC611, insulation class F, temperature rise class B
3000 V, 50 Hz

Output (kW)	Motor type	Product ID	Speed (r/min)	Efficiency		Power factor		Current			Torque			Rotor inertia (kgm ²)	Motor weight (kg)	Sound pressure level <i>L_p</i> (dB(A))
				Full load 100%	3/4 load 75%	Full load 100%	3/4 load 75%	<i>I_N</i> (A)	<i>I_s</i> <i>I_N</i> (pu)	<i>I₀</i> (A)	<i>T_N</i> (Nm)	<i>T_s</i> <i>T_N</i> (pu)	<i>T_{max}</i> <i>T_N</i> (pu)			
3000 r/min = 2 poles																
3000 V 50 Hz																
630	AMI 400L2A	10000	2976	95.1	95.0	0.86	0.83	149	5.6	44	2022	0.6	2.4	7.2	3030	85
710	AMI 400L2A	10001	2974	95.2	95.2	0.86	0.84	167	5.0	46	2280	0.5	2.2	7.1	3030	85
800	AMI 400L2A	10002	2974	95.4	95.5	0.88	0.86	184	5.0	45	2569	0.5	2.1	7.6	3140	85
900	AMI 400L2A	10003	2975	95.7	95.7	0.87	0.85	209	5.2	54	2889	0.6	2.2	7.8	3210	85
1000	AMI 400L2A	10004	2976	95.9	96.0	0.87	0.86	230	5.4	59	3209	0.6	2.3	8.3	3320	85
1170	AMI 400L2A	10005	2975	96.1	96.2	0.89	0.88	263	5.3	57	3756	0.6	2.2	9.1	3520	85
1200	AMI 400L2A	10006	2979	96.2	96.4	0.90	0.89	268	5.4	55	3846	0.6	2.1	11.9	3640	85
1250	AMI 450L2A	10007	2970	95.6	95.8	0.87	0.86	291	4.0	66	4019	0.4	1.8	10.3	4030	86
1400	AMI 450L2A	10008	2973	96.0	96.1	0.88	0.87	319	4.3	70	4496	0.4	1.9	11.2	4250	86
1600	AMI 450L2A	10009	2976	96.2	96.3	0.87	0.86	367	4.7	90	5134	0.4	2.0	11.9	4370	86
1800	AMI 450L2A	10010	2978	96.5	96.5	0.88	0.86	409	5.2	105	5771	0.5	2.2	13.3	4670	86
1900	AMI 450L2A	10011	2985	96.7	96.8	0.89	0.88	425	5.5	104	6077	0.4	2.3	18.0	4820	86
2000	AMI 500L2A	10012	2977	96.2	96.3	0.89	0.88	451	4.3	99	6416	0.4	1.9	19.8	5210	87
2240	AMI 500L2A	10013	2979	96.5	96.6	0.90	0.89	499	4.9	113	7180	0.4	2.1	22.4	5590	87
2650	AMI 500L2A	10014	2981	96.8	96.9	0.90	0.90	582	5.4	128	8489	0.5	2.3	26.3	6180	87
2800	AMI 500L2A	10015	2987	97.0	97.1	0.91	0.90	613	5.3	127	8953	0.4	2.2	35.3	6390	87
3150	AMI 560L2A B	10016	2979	96.7	96.8	0.92	0.91	683	5.4	125	10098	0.4	2.6	40.8	9150	80
3550	AMI 560L2A B	10017	2981	96.9	96.9	0.90	0.89	783	5.8	174	11372	0.5	2.8	44.0	9580	80
4000	AMI 560L2A B	10018	2982	97.0	97.1	0.91	0.91	869	5.8	169	12810	0.6	2.8	47.4	10000	80
4200	AMI 560L2A B	10019	2982	97.0	97.1	0.91	0.90	916	5.9	181	13451	0.5	2.8	52.8	10610	80
4500	AMI 560L2A B	10020	2988	97.3	97.4	0.92	0.92	962	5.8	152	14379	0.4	2.6	70.1	10950	80
5000	AMI 630L2A B	10021	2985	96.8	96.7	0.90	0.89	1108	5.7	215	15998	0.4	2.8	91.7	12630	81
5600	AMI 630L2A B	10022	2984	96.9	96.9	0.91	0.91	1223	5.9	188	17919	0.6	2.8	101.5	13570	81
6200	AMI 630L2A B	10023	2989	97.2	97.1	0.93	0.93	1326	5.9	189	19808	0.4	2.7	135.5	14200	81

Modular induction motors, type AMI

Technical data

IP55, IC611, insulation class F, temperature rise class B
3000 V, 50 Hz

Output (kW)	Motor type	Product ID	Speed (r/min)	Efficiency		Power factor		Current			Torque			Rotor inertia (kgm ²)	Motor weight (kg)	Sound pressure level <i>L_p</i> (dB(A))
				Full load 100%	3/4 load 75%	Full load 100%	3/4 load 75%	<i>I_N</i> (A)	<i>I_S</i> <i>I_N</i> (pu)	<i>I₀</i> (A)	<i>T_N</i> (Nm)	<i>T_S</i> <i>T_N</i> (pu)	<i>T_{max}</i> <i>T_N</i> (pu)			
1500 r/min = 4 poles																
3000 V 50 Hz																
630	AMI 400L4A	10024	1482	94.6	94.8	0.87	0.86	146	4.3	38	4058	0.5	1.8	14.6	2930	79
710	AMI 400L4A	10025	1484	95.0	95.2	0.87	0.86	165	4.8	46	4569	0.6	2.0	15.6	3030	79
800	AMI 400L4A	10026	1486	95.2	95.3	0.86	0.83	188	5.4	62	5142	0.7	2.2	16.6	3110	79
900	AMI 400L4A	10027	1486	95.4	95.5	0.86	0.84	210	5.4	66	5785	0.7	2.2	17.6	3210	79
1000	AMI 400L4A	10028	1486	95.6	95.7	0.86	0.83	234	5.5	76	6426	0.7	2.2	18.6	3320	79
1120	AMI 400L4A	10029	1486	95.8	96.0	0.88	0.86	256	5.5	73	7198	0.8	2.2	20.6	3520	79
1250	AMI 450L4A	10030	1486	95.6	95.7	0.88	0.87	286	5.3	77	8033	0.7	2.1	30.9	4190	81
1400	AMI 450L4A	10031	1487	95.8	95.9	0.87	0.85	323	5.7	97	8992	0.7	2.3	32.6	4310	81
1600	AMI 450L4A	10032	1487	96.0	96.1	0.87	0.85	367	5.9	108	10274	0.8	2.4	36.1	4540	81
1750	AMI 450L4A	10033	1489	96.2	96.2	0.87	0.85	403	5.8	124	11224	0.7	2.4	38.3	4680	81
1800	AMI 500L4A	10034	1489	95.8	95.9	0.88	0.87	411	4.8	102	11545	0.5	1.9	50.0	5220	82
2000	AMI 500L4A	10035	1490	96.1	96.2	0.89	0.87	452	5.4	116	12817	0.6	2.1	56.1	5540	82
2240	AMI 500L4A	10036	1490	96.3	96.4	0.88	0.87	507	5.5	131	14354	0.7	2.1	59.1	5710	82
2500	AMI 500L4A	10037	1490	96.4	96.5	0.90	0.89	558	5.5	131	16020	0.7	2.1	65.1	6020	82
2750	AMI 500L4A	10038	1491	96.6	96.7	0.90	0.89	609	5.8	141	17618	0.7	2.2	71.1	6360	82
3250	AMI 560L4A B	10039	1490	96.3	96.4	0.87	0.87	742	4.8	163	20833	0.5	2.1	104.3	8090	86
3750	AMI 560L4A B	10040	1490	96.5	96.7	0.89	0.90	836	4.9	154	24037	0.5	2.1	118.4	8660	86
4250	AMI 560L4A B	10041	1491	96.7	96.9	0.89	0.88	954	5.5	207	27222	0.6	2.4	127.8	9070	86
4750	AMI 560L4A B	10042	1491	96.9	97.0	0.88	0.86	1077	5.8	263	30422	0.7	2.6	140.2	9670	86
5000	AMI 630L4A B	10043	1489	96.7	96.8	0.89	0.89	1121	4.8	216	32055	0.5	2.1	183.2	11360	87
5600	AMI 630L4A B	10044	1491	97.0	97.1	0.89	0.89	1244	5.4	259	35855	0.6	2.4	206.7	12180	87
6100	AMI 630L4A B	10045	1491	97.0	97.2	0.90	0.90	1348	4.9	222	39067	0.5	2.1	222.6	12660	87
7100	AMI 630L4A B	10046	1492	97.2	97.3	0.88	0.87	1591	5.6	363	45428	0.6	2.5	243.8	13390	87

Modular induction motors, type AMI

Technical data

IP55, IC611, insulation class F, temperature rise class B
3000 V, 50 Hz

Output (kW)	Motor type	Product ID	Speed (r/min)	Efficiency		Power factor		Current			Torque			Rotor inertia (kgm ²)	Motor weight (kg)	Sound pressure level <i>L_p</i> (dB(A))
				Full load 100%	3/4 load 75%	Full load 100%	3/4 load 75%	<i>I_N</i> (A)	<i>I_S</i> <i>I_N</i> (pu)	<i>I₀</i> (A)	<i>T_N</i> (Nm)	<i>T_S</i> <i>T_N</i> (pu)	<i>T_{max}</i> <i>T_N</i> (pu)			
1000 r/min = 6 poles																
3000 V 50 Hz																
450	AMI 400L6A	10047	988	94.7	94.8	0.84	0.81	109	5.0	40	4349	0.8	2.0	17.0	2950	78
500	AMI 400L6A	10048	987	94.6	94.9	0.85	0.82	120	4.6	40	4839	0.7	1.8	17.0	2950	78
560	AMI 400L6A	10049	988	94.8	95.0	0.84	0.81	136	4.9	49	5414	0.8	2.0	18.2	3030	78
630	AMI 400L6A	10050	988	94.8	95.0	0.81	0.77	158	5.0	65	6089	0.8	2.0	18.2	3030	78
710	AMI 400L6A	10051	989	95.2	95.3	0.81	0.77	177	5.4	74	6855	0.9	2.2	20.7	3220	78
830	AMI 400L6A	10052	990	95.5	95.5	0.82	0.77	205	5.9	85	8006	1.0	2.4	24.3	3510	78
900	AMI 450L6A	10053	990	95.6	95.8	0.84	0.82	214	5.1	72	8680	0.7	2.1	35.4	3970	79
1000	AMI 450L6A	10054	990	95.7	95.9	0.84	0.82	238	5.3	81	9642	0.7	2.1	37.7	4090	79
1120	AMI 450L6A	10055	991	95.9	96.0	0.85	0.82	265	5.6	92	10792	0.8	2.2	42.2	4320	79
1250	AMI 450L6A	10056	991	95.9	96.2	0.87	0.85	290	5.4	88	12050	0.7	2.1	46.7	4570	79
1380	AMI 450L6A	10057	992	96.2	96.3	0.83	0.80	331	5.6	124	13284	0.7	2.3	49.3	4720	79
1500	AMI 500L6A	10058	991	96.0	96.2	0.86	0.84	349	5.3	106	14450	0.8	2.0	61.6	5240	79
1700	AMI 500L6A	10059	992	96.2	96.5	0.88	0.86	388	5.3	109	16366	0.7	2.0	69.6	5550	79
1800	AMI 500L6A	10060	993	96.3	96.5	0.85	0.82	424	5.7	148	17313	0.8	2.2	75.5	5810	79
2000	AMI 500L6A	10061	993	96.5	96.6	0.87	0.84	460	5.7	144	19230	0.7	2.2	83.8	6120	79
2250	AMI 500L6A	10062	994	96.6	96.7	0.84	0.81	533	5.7	190	21625	0.7	2.2	90.9	6450	79
2500	AMI 560L6A B	10063	992	96.3	96.5	0.87	0.85	576	5.3	154	24060	0.7	2.3	133.4	7770	83
2800	AMI 560L6A B	10064	993	96.5	96.7	0.86	0.84	649	5.6	186	26931	0.7	2.4	145.4	8160	83
3150	AMI 560L6A B	10065	994	96.7	96.9	0.86	0.84	731	5.9	218	30277	0.7	2.5	163.5	8760	83
3550	AMI 560L6A B	10066	993	96.8	97.0	0.88	0.87	805	5.8	207	34130	0.7	2.4	182.2	9340	83
3900	AMI 560L6A B	10067	994	97.0	97.2	0.87	0.86	890	5.6	234	37455	0.7	2.2	203.4	9950	83
4500	AMI 630L6A B	10068	993	96.9	97.1	0.87	0.86	1032	5.0	254	43279	0.6	2.2	251.0	11570	84
5000	AMI 630L6A B	10069	994	97.1	97.2	0.87	0.85	1140	5.8	310	48030	0.7	2.5	297.9	12720	84
5700	AMI 630L6A B	10070	994	97.2	97.3	0.89	0.88	1273	5.8	303	54756	0.8	2.4	345.5	13930	84

Modular induction motors, type AMI

Technical data

IP55, IC611, insulation class F, temperature rise class B
3000 V, 50 Hz

Output (kW)	Motor type	Product ID	Speed (r/min)	Efficiency		Power factor		Current			Torque			Rotor inertia (kgm ²)	Motor weight (kg)	Sound pressure level <i>L_p</i> (dB(A))
				Full load 100%	3/4 load 75%	Full load 100%	3/4 load 75%	<i>I_N</i> (A)	<i>I_S</i> <i>I_N</i> (pu)	<i>I₀</i> (A)	<i>T_N</i> (Nm)	<i>T_S</i> <i>T_N</i> (pu)	<i>T_{max}</i> <i>T_N</i> (pu)			
750 r/min = 8 poles																
3000 V 50 Hz																
280	AMI 400L8A	10071	742	94.6	94.7	0.82	0.78	70	5.1	29	3604	0.8	2.1	19.3	2910	77
315	AMI 400L8A	10072	742	94.7	94.8	0.81	0.76	80	5.1	35	4054	0.8	2.1	19.3	2920	77
355	AMI 400L8A	10073	741	94.5	94.8	0.82	0.78	88	4.6	35	4576	0.7	1.8	19.3	2920	77
400	AMI 400L8A	10074	742	94.8	95.0	0.80	0.76	101	5.0	44	5150	0.8	2.0	20.7	3020	77
450	AMI 400L8A	10075	741	94.9	95.2	0.81	0.77	112	4.9	46	5796	0.8	1.9	22.2	3110	77
500	AMI 400L8A	10076	741	95.0	95.3	0.82	0.78	124	4.9	51	6440	0.8	1.9	23.6	3210	77
560	AMI 400L8A	10077	742	95.1	95.4	0.81	0.77	139	5.0	58	7211	0.8	2.0	25.1	3300	77
620	AMI 400L8A	10078	742	95.3	95.5	0.82	0.79	152	5.0	59	7984	0.8	1.9	28.0	3490	77
630	AMI 450L8A	10079	743	95.5	95.5	0.80	0.74	159	5.6	74	8096	0.9	2.3	40.3	3940	77
710	AMI 450L8A	10080	743	95.6	95.6	0.79	0.73	181	5.8	86	9122	0.9	2.4	43.0	4060	77
800	AMI 450L8A	10081	743	95.6	95.7	0.81	0.76	199	5.8	88	10277	0.9	2.4	48.3	4280	77
900	AMI 450L8A	10082	743	95.7	95.9	0.82	0.77	221	5.6	94	11567	0.9	2.3	51.0	4400	77
1000	AMI 450L8A	10083	743	95.8	96.1	0.84	0.81	239	5.3	88	12861	0.8	2.1	56.4	4670	77
1120	AMI 500L8A	10084	742	95.5	95.7	0.83	0.80	270	5.1	98	14411	0.8	2.1	74.5	5320	77
1200	AMI 500L8A	10085	742	95.6	95.9	0.86	0.84	282	4.9	87	15446	0.7	1.9	83.3	5620	77
1350	AMI 500L8A	10086	743	95.9	96.1	0.84	0.81	321	5.5	114	17342	0.8	2.2	92.9	5940	77
1500	AMI 500L8A	10087	745	96.2	96.2	0.83	0.79	363	5.9	140	19234	0.9	2.2	106.8	6410	77
1800	AMI 560L8A B	10088	744	96.3	96.5	0.83	0.81	435	4.7	141	23102	0.6	1.9	146.2	7780	78
2000	AMI 560L8A B	10089	743	96.3	96.6	0.84	0.83	473	4.6	135	25698	0.6	1.8	159.8	8160	78
2240	AMI 560L8A B	10090	744	96.4	96.7	0.83	0.81	540	4.5	164	28751	0.6	1.8	167.1	8370	78
2500	AMI 560L8A B	10091	744	96.5	96.7	0.84	0.82	594	5.0	184	32075	0.7	1.9	201.0	9240	78
2900	AMI 560L8A B	10092	746	96.8	96.8	0.82	0.79	701	5.7	259	37144	0.8	2.2	231.1	10050	78
3150	AMI 630L8A B	10093	744	96.6	96.8	0.85	0.85	736	4.8	190	40433	0.7	1.8	315.0	11690	79
3550	AMI 630L8A B	10094	745	96.8	97.0	0.86	0.85	824	5.0	218	45519	0.7	1.9	353.5	12440	79
4000	AMI 630L8A B	10095	746	97.0	97.1	0.85	0.84	929	5.3	255	51236	0.7	2.0	403.8	13430	79
4200	AMI 630L8A B	10096	746	97.0	97.2	0.86	0.85	970	5.4	264	53783	0.7	2.0	440.4	14160	79

Modular induction motors, type AMI

Technical data

IP55, IC611, insulation class F, temperature rise class B
3000 V, 50 Hz

Output (kW)	Motor type	Product ID	Speed (r/min)	Efficiency		Power factor		Current			Torque			Rotor inertia (kgm ²)	Motor weight (kg)	Sound pressure level <i>L_p</i> (dB(A))
				Full load 100%	3/4 load 75%	Full load 100%	3/4 load 75%	<i>I_N</i> (A)	<i>I_S</i> <i>I_N</i> (pu)	<i>I₀</i> (A)	<i>T_N</i> (Nm)	<i>T_S</i> <i>T_N</i> (pu)	<i>T_{max}</i> <i>T_N</i> (pu)			
600 r/min = 10 poles																
3000 V 50 Hz																
250	AMI 400L10A	10097	590	93.4	93.7	0.76	0.72	67	4.0	31	4043	0.7	1.7	19.0	2920	76
280	AMI 400L10A	10098	590	93.6	93.9	0.77	0.72	75	3.9	33	4529	0.7	1.7	20.4	3010	76
315	AMI 400L10A	10099	591	93.7	94.0	0.77	0.72	84	4.0	38	5094	0.7	1.7	21.9	3110	76
355	AMI 400L10A	10100	592	94.0	94.1	0.76	0.70	96	4.4	47	5730	0.8	1.9	24.7	3280	76
400	AMI 400L10A	10101	592	94.2	94.2	0.75	0.70	109	4.6	54	6451	0.8	1.9	27.6	3470	76
450	AMI 450L10A	10102	591	94.4	94.9	0.82	0.80	111	4.2	40	7268	0.7	1.7	40.0	3920	76
500	AMI 450L10A	10103	591	94.6	95.1	0.82	0.79	123	4.3	45	8074	0.7	1.7	42.7	4040	76
560	AMI 450L10A	10104	592	94.7	95.2	0.82	0.79	139	4.4	52	9038	0.8	1.8	45.4	4160	76
630	AMI 450L10A	10105	592	94.9	95.3	0.83	0.80	155	4.4	56	10167	0.8	1.8	50.8	4400	76
710	AMI 450L10A	10106	592	95.1	95.4	0.82	0.79	174	4.6	66	11451	0.8	1.8	56.2	4640	76
800	AMI 500L10A	10107	593	95.5	95.8	0.84	0.81	193	4.6	67	12882	0.7	1.8	75.7	5340	76
900	AMI 500L10A	10108	593	95.6	96.0	0.84	0.81	216	4.7	75	14485	0.7	1.9	84.7	5640	76
1000	AMI 500L10A	10109	594	95.8	96.0	0.83	0.79	243	5.1	93	16076	0.8	2.0	93.5	5920	76
1150	AMI 500L10A	10110	595	96.0	96.1	0.82	0.78	281	5.5	116	18470	0.8	2.2	107.0	6370	76
1250	AMI 560L10A B	10112	593	95.8	96.1	0.84	0.82	299	4.9	98	20133	0.8	2.1	159.8	7710	75
1400	AMI 560L10A B	10113	593	95.8	96.1	0.84	0.82	334	4.8	105	22559	0.8	2.0	167.8	7890	75
1600	AMI 560L10A B	10114	593	96.0	96.3	0.85	0.83	378	4.8	119	25762	0.7	2.0	184.2	8290	75
1800	AMI 560L10A B	10115	594	96.2	96.5	0.84	0.82	427	5.1	145	28945	0.8	2.2	200.6	8660	75
2000	AMI 560L10A B	10116	595	96.4	96.7	0.85	0.83	472	4.8	148	32111	0.7	1.9	226.6	9270	75
2300	AMI 560L10A B	10117	596	96.6	96.8	0.83	0.80	552	5.7	208	36874	0.9	2.3	259.1	10030	75
2500	AMI 630L10A B	10118	595	96.6	96.8	0.85	0.83	586	5.4	187	40123	0.8	2.1	376.9	11910	76
2800	AMI 630L10A B	10119	595	96.7	96.9	0.85	0.83	653	5.4	203	44933	0.8	2.1	419.7	12640	76
3000	AMI 630L10A B	10120	596	96.8	97.0	0.85	0.84	698	5.5	211	48105	0.9	2.0	450.5	13130	76
3300	AMI 630L10A B	10121	597	96.9	97.1	0.85	0.82	774	5.7	253	52819	0.8	2.0	512.8	14050	76

Modular induction motors, type AMI

Technical data

IP55, IC611, insulation class F, temperature rise class B
3000 V, 50 Hz

Output (kW)	Motor type	Product ID	Speed (r/min)	Efficiency		Power factor		Current			Torque			Rotor inertia (kgm ²)	Motor weight (kg)	Sound pressure level <i>L_p</i> (dB(A))
				Full load 100%	3/4 load 75%	Full load 100%	3/4 load 75%	<i>I_N</i> (A)	<i>I_S</i> <i>I_N</i> (pu)	<i>I₀</i> (A)	<i>T_N</i> (Nm)	<i>T_S</i> <i>T_N</i> (pu)	<i>T_{max}</i> <i>T_N</i> (pu)			
500 r/min = 12 poles																
3000 V 50 Hz																
160	AMI 400L12A	10122	493	92.4	92.3	0.72	0.66	47	3.8	25	3099	0.7	1.7	19.3	2920	76
180	AMI 400L12A	10123	492	92.3	92.2	0.70	0.64	53	3.8	29	3492	0.8	1.8	19.1	2920	76
200	AMI 400L12A	10124	492	92.5	92.4	0.71	0.65	59	3.8	32	3879	0.8	1.8	20.5	3010	76
224	AMI 400L12A	10125	492	92.7	92.6	0.71	0.65	66	3.9	36	4343	0.8	1.8	21.9	3110	76
250	AMI 400L12A	10126	492	92.9	92.8	0.72	0.66	72	3.8	37	4848	0.8	1.7	24.8	3300	76
290	AMI 400L12A	10127	492	93.1	93.0	0.73	0.67	83	3.8	42	5624	0.8	1.7	27.7	3490	76
315	AMI 450L12A	10128	493	94.1	94.1	0.74	0.68	87	4.4	45	6099	0.9	1.9	39.7	3900	76
355	AMI 450L12A	10129	493	94.0	94.2	0.76	0.71	96	4.1	45	6882	0.8	1.8	42.3	4000	76
400	AMI 450L12A	10130	493	94.1	94.4	0.77	0.72	106	4.0	48	7752	0.7	1.7	45.2	4130	76
450	AMI 450L12A	10131	493	94.2	94.5	0.75	0.70	122	4.2	59	8721	0.8	1.8	47.7	4250	76
500	AMI 450L12A	10132	493	94.4	94.7	0.77	0.73	132	4.0	59	9687	0.7	1.7	53.3	4490	76
530	AMI 450L12A	10133	493	94.6	94.8	0.76	0.71	141	4.2	66	10260	0.8	1.8	56.0	4630	76
560	AMI 500L12A	10134	493	94.8	95.1	0.78	0.74	146	4.0	64	10839	0.6	1.8	70.7	5170	76
630	AMI 500L12A	10135	494	95.0	95.2	0.78	0.74	163	4.2	72	12186	0.6	1.9	79.6	5460	76
710	AMI 500L12A	10136	494	95.1	95.3	0.78	0.73	184	4.5	84	13734	0.7	1.9	88.0	5760	76
800	AMI 500L12A	10137	494	95.3	95.5	0.79	0.75	206	4.3	87	15458	0.7	1.8	97.8	6070	76
850	AMI 500L12A	10138	494	95.3	95.4	0.78	0.74	219	4.6	98	16435	0.7	1.9	105.9	6370	76
1000	AMI 560L12A B	10139	493	95.4	96.0	0.83	0.80	244	4.1	87	19371	0.6	1.9	160.8	7680	74
1120	AMI 560L12A B	10140	493	95.6	96.0	0.81	0.77	278	4.3	111	21682	0.6	2.0	160.8	7700	74
1250	AMI 560L12A B	10141	493	95.7	96.2	0.81	0.78	309	4.4	121	24191	0.6	2.0	176.9	8080	74
1400	AMI 560L12A B	10142	495	96.0	96.4	0.80	0.76	350	4.6	146	27033	0.7	2.1	194.1	8470	74
1600	AMI 560L12A B	10143	495	96.2	96.6	0.81	0.78	394	4.4	146	30865	0.7	1.9	227.1	9240	74
1800	AMI 560L12A B	10144	496	96.5	96.7	0.79	0.74	454	4.9	202	34649	0.7	2.1	262.1	10000	74
2000	AMI 630L12A B	10145	495	96.3	96.8	0.84	0.82	477	4.6	153	38566	0.7	1.9	351.9	11390	75
2240	AMI 630L12A B	10146	496	96.5	96.9	0.84	0.82	529	4.8	168	43165	0.7	1.9	424.3	12570	75
2500	AMI 630L12A B	10147	496	96.7	96.9	0.83	0.80	600	5.5	224	48135	0.9	2.2	478.5	13520	75
2650	AMI 630L12A B	10148	496	96.8	97.0	0.82	0.79	639	5.7	251	50969	0.9	2.3	510.5	14000	75

Modular induction motors, type AMI

Technical data

IP55, IC611, insulation class F, temperature rise class B
6000 V, 50 Hz

Output (kW)	Motor type	Product ID	Speed (r/min)	Efficiency		Power factor		Current			Torque			Rotor inertia (kgm ²)	Motor weight (kg)	Sound pressure level <i>L_p</i> (dB(A))
				Full load 100%	3/4 load 75%	Full load 100%	3/4 load 75%	<i>I_N</i> (A)	<i>I_S</i> <i>I_N</i> (pu)	<i>I₀</i> (A)	<i>T_N</i> (Nm)	<i>T_S</i> <i>T_N</i> (pu)	<i>T_{max}</i> <i>T_N</i> (pu)			
3000 r/min = 2 poles																
6000 V 50 Hz																
630	AMI 400L2A	10149	2975	94.9	94.8	0.87	0.84	74	5.6	22	2022	0.6	2.4	7.3	3000	85
710	AMI 400L2A	10150	2972	94.9	95.0	0.87	0.85	83	5.0	22	2282	0.5	2.1	7.3	3000	85
800	AMI 400L2A	10151	2971	95.1	95.3	0.88	0.87	92	5.0	22	2571	0.5	2.1	7.7	3110	85
900	AMI 400L2A	10152	2976	95.6	95.6	0.88	0.86	103	5.9	28	2888	0.7	2.5	8.5	3290	85
1000	AMI 400L2A	10153	2975	95.8	95.8	0.88	0.86	115	5.7	30	3210	0.7	2.4	9.2	3460	85
1150	AMI 400L2A	10155	2984	96.3	96.3	0.87	0.86	132	5.8	33	3680	0.6	2.4	12.4	3730	85
1250	AMI 450L2A	10156	2977	95.7	95.8	0.88	0.87	143	4.8	35	4009	0.4	2.1	11.2	4160	86
1400	AMI 450L2A	10157	2979	96.1	96.1	0.88	0.87	159	5.3	40	4487	0.5	2.2	12.3	4380	86
1600	AMI 450L2A	10158	2980	96.3	96.3	0.88	0.87	181	5.6	46	5128	0.6	2.4	13.9	4680	86
1700	AMI 450L2A	10159	2981	96.4	96.4	0.86	0.84	198	5.6	56	5446	0.6	2.4	14.4	4780	86
1800	AMI 450L2A	10160	2988	96.7	96.7	0.87	0.85	205	5.9	58	5752	0.5	2.4	18.6	4930	86
1800	AMI 500L2A	10161	2982	96.2	96.2	0.89	0.88	202	5.3	52	5764	0.5	2.3	21.1	5350	87
2000	AMI 500L2A	10162	2982	96.4	96.4	0.89	0.88	224	5.3	57	6404	0.5	2.3	22.4	5530	87
2240	AMI 500L2A	10163	2982	96.5	96.6	0.90	0.90	247	5.3	54	7174	0.5	2.2	25.0	5910	87
2360	AMI 500L2A	10164	2983	96.7	96.7	0.89	0.88	264	5.4	65	7554	0.5	2.3	26.2	6090	87
2600	AMI 500L2A	10165	2984	96.8	96.9	0.89	0.88	290	5.7	72	8320	0.5	2.4	28.5	6430	87
2700	AMI 500L2A	10166	2989	97.0	97.0	0.90	0.89	298	5.8	70	8626	0.4	2.4	38.0	6660	87
2900	AMI 560L2A B	10167	2979	96.5	96.6	0.90	0.90	321	4.9	65	9297	0.4	2.4	38.8	8850	80
3300	AMI 560L2A B	10168	2981	96.7	96.8	0.91	0.90	363	5.3	74	10572	0.4	2.5	42.1	9270	80
3700	AMI 560L2A B	10169	2984	96.9	97.0	0.91	0.90	405	5.6	82	11843	0.5	2.7	46.9	9900	80
4200	AMI 560L2A B	10170	2984	97.1	97.1	0.91	0.91	456	5.8	86	13443	0.5	2.7	52.2	10560	80
4550	AMI 560L2A B	10171	2988	97.3	97.3	0.91	0.90	495	5.9	102	14543	0.4	2.7	67.6	10790	80
4800	AMI 630L2A B	10172	2983	96.7	96.6	0.91	0.90	526	5.6	99	15365	0.4	2.7	89.1	12380	81
5200	AMI 630L2A B	10173	2983	96.8	96.8	0.92	0.92	560	5.8	75	16644	0.5	2.7	98.6	13210	81
5600	AMI 630L2A B	10174	2984	96.8	96.7	0.90	0.90	615	5.9	116	17920	0.5	2.8	108.7	13940	81
6200	AMI 630L2A B	10175	2990	97.1	97.1	0.91	0.91	672	5.8	117	19800	0.4	2.6	141.2	14360	81

Modular induction motors, type AMI

Technical data

IP55, IC611, insulation class F, temperature rise class B
6000 V, 50 Hz

Output (kW)	Motor type	Product ID	Speed (r/min)	Efficiency		Power factor		Current			Torque			Rotor inertia (kgm ²)	Motor weight (kg)	Sound pressure level <i>L_p</i> (dB(A))
				Full load 100%	3/4 load 75%	Full load 100%	3/4 load 75%	<i>I_N</i> (A)	<i>I_S</i> <i>I_N</i> (pu)	<i>I₀</i> (A)	<i>T_N</i> (Nm)	<i>T_S</i> <i>T_N</i> (pu)	<i>T_{max}</i> <i>T_N</i> (pu)			
1500 r/min = 4 poles																
6000 V 50 Hz																
630	AMI 400L4A	10176	1486	94.4	94.6	0.87	0.85	73	5.1	22	4049	0.6	2.1	15.6	2960	79
710	AMI 400L4A	10177	1485	94.6	94.9	0.89	0.87	82	5.0	22	4565	0.6	2.0	16.6	3060	79
800	AMI 400L4A	10178	1486	95.2	95.2	0.86	0.83	94	5.9	32	5140	0.8	2.4	17.5	3170	79
900	AMI 400L4A	10179	1487	95.4	95.4	0.86	0.83	106	6.0	37	5781	0.9	2.4	18.5	3270	79
1000	AMI 400L4A	10180	1486	95.5	95.7	0.87	0.85	116	5.5	36	6427	0.7	2.2	20.3	3460	79
1100	AMI 400L4A	10181	1487	95.7	95.8	0.85	0.81	130	5.9	47	7064	0.8	2.4	21.3	3560	79
1120	AMI 450L4A	10182	1488	95.3	95.4	0.88	0.87	128	5.3	35	7190	0.7	2.0	29.8	4020	81
1250	AMI 450L4A	10183	1488	95.5	95.6	0.88	0.86	144	5.5	42	8021	0.7	2.1	31.5	4140	81
1400	AMI 450L4A	10184	1489	95.8	95.9	0.86	0.84	163	5.9	52	8979	0.8	2.3	33.3	4290	81
1600	AMI 450L4A	10185	1488	96.0	96.1	0.89	0.87	180	5.7	49	10266	0.7	2.3	36.8	4550	81
1720	AMI 450L4A	10186	1490	96.2	96.2	0.84	0.81	204	6.0	75	11021	0.7	2.5	39.7	4780	81
1800	AMI 500L4A	10187	1491	95.9	96.0	0.90	0.88	201	5.7	51	11531	0.6	2.2	56.2	5480	82
2000	AMI 500L4A	10188	1491	96.1	96.2	0.89	0.88	224	5.9	58	12811	0.6	2.3	59.2	5640	82
2240	AMI 500L4A	10189	1490	96.2	96.3	0.89	0.87	252	5.9	68	14353	0.7	2.3	61.5	5810	82
2500	AMI 500L4A	10190	1492	96.5	96.6	0.88	0.87	282	5.9	79	15997	0.7	2.2	69.3	6160	82
2700	AMI 500L4A	10191	1493	96.6	96.7	0.87	0.85	310	5.9	95	17271	0.7	2.2	74.9	6480	82
3150	AMI 560L4A B	10192	1490	96.2	96.3	0.89	0.88	354	5.5	80	20186	0.6	2.4	108.5	8140	86
3550	AMI 560L4A B	10193	1491	96.4	96.6	0.89	0.88	398	5.6	92	22742	0.6	2.5	117.5	8560	86
4000	AMI 560L4A B	10194	1491	96.7	96.8	0.88	0.87	451	5.8	109	25615	0.7	2.6	131.1	9160	86
4500	AMI 560L4A B	10195	1491	96.8	96.9	0.90	0.90	496	5.8	100	28821	0.6	2.5	149.5	9940	86
5000	AMI 630L4A B	10196	1490	96.7	96.8	0.89	0.89	556	5.2	110	32051	0.6	2.3	197.2	11770	87
5600	AMI 630L4A B	10197	1491	96.9	97.0	0.90	0.90	620	5.4	121	35874	0.5	2.4	213.3	12290	87
6300	AMI 630L4A B	10198	1492	97.1	97.2	0.89	0.88	701	5.5	148	40330	0.6	2.4	228.9	12800	87
6900	AMI 630L4A B	10199	1492	97.2	97.3	0.90	0.89	762	5.5	151	44151	0.6	2.3	260.1	13780	87

Modular induction motors, type AMI

Technical data

IP55, IC611, insulation class F, temperature rise class B
6000 V, 50 Hz

Output (kW)	Motor type	Product ID	Speed (r/min)	Efficiency		Power factor		Current			Torque			Rotor inertia (kgm ²)	Motor weight (kg)	Sound pressure level <i>L_p</i> (dB(A))
				Full load 100%	3/4 load 75%	Full load 100%	3/4 load 75%	<i>I_N</i> (A)	<i>I_S</i> <i>I_N</i> (pu)	<i>I₀</i> (A)	<i>T_N</i> (Nm)	<i>T_S</i> <i>T_N</i> (pu)	<i>T_{max}</i> <i>T_N</i> (pu)			
1000 r/min = 6 poles																
6000 V 50 Hz																
450	AMI 400L6A	10200	988	94.5	94.7	0.84	0.81	55	4.7	19	4350	0.7	1.9	16.2	3040	78
500	AMI 400L6A	10201	989	94.5	94.6	0.83	0.79	61	5.4	24	4827	0.9	2.2	18.2	2990	78
560	AMI 400L6A	10202	989	94.7	94.8	0.84	0.81	68	5.3	25	5408	0.8	2.1	19.5	3080	78
630	AMI 400L6A	10203	989	94.8	95.0	0.85	0.82	76	5.2	27	6086	0.8	2.0	20.7	3170	78
750	AMI 400L6A	10204	991	95.2	95.2	0.79	0.74	95	5.8	44	7227	1.0	2.3	24.2	3460	78
800	AMI 450L6A	10205	991	95.3	95.4	0.84	0.81	96	5.6	35	7712	0.8	2.2	35.2	3920	79
900	AMI 450L6A	10206	991	95.5	95.6	0.84	0.81	108	5.7	39	8676	0.8	2.3	37.4	4040	79
1000	AMI 450L6A	10207	991	95.6	95.7	0.83	0.79	121	5.8	47	9635	0.9	2.3	39.6	4170	79
1120	AMI 450L6A	10208	991	95.8	95.9	0.84	0.80	134	5.8	50	10790	0.8	2.2	43.9	4410	79
1280	AMI 450L6A	10209	993	96.1	96.1	0.83	0.79	155	6.0	62	12314	0.8	2.5	49.3	4670	79
1400	AMI 500L6A	10210	992	95.9	96.1	0.87	0.84	162	5.7	52	13475	0.7	2.3	68.1	5450	79
1600	AMI 500L6A	10211	992	96.0	96.1	0.84	0.81	190	5.9	71	15397	0.8	2.3	73.9	5710	79
1800	AMI 500L6A	10212	993	96.2	96.3	0.86	0.84	208	5.9	67	17317	0.7	2.3	82.4	6020	79
2050	AMI 500L6A	10213	994	96.5	96.5	0.83	0.79	246	6.0	95	19691	0.8	2.4	90.8	6370	79
2240	AMI 560L6A B	10214	992	96.2	96.4	0.86	0.84	261	5.5	77	21553	0.7	2.3	131.6	7720	83
2550	AMI 560L6A B	10215	992	96.3	96.5	0.87	0.86	293	5.4	79	24538	0.7	2.3	143.7	8100	83
2800	AMI 560L6A B	10216	993	96.5	96.7	0.86	0.85	323	5.5	91	26933	0.7	2.2	155.2	8480	83
3150	AMI 560L6A B	10217	993	96.6	96.8	0.84	0.82	373	5.4	118	30283	0.7	2.2	172.9	9020	83
3350	AMI 560L6A B	10218	994	96.7	96.8	0.83	0.80	401	5.7	138	32189	0.7	2.3	184.8	9400	83
3700	AMI 560L6A B	10219	994	96.8	96.9	0.83	0.80	442	5.9	154	35543	0.7	2.4	202.8	9970	83
4150	AMI 630L6A B	10220	993	96.8	97.0	0.86	0.85	479	5.2	128	39890	0.6	2.2	250.2	11470	84
4500	AMI 630L6A B	10221	994	96.9	97.1	0.86	0.84	520	5.5	145	43237	0.7	2.4	269.0	11950	84
4750	AMI 630L6A B	10222	994	97.0	97.1	0.86	0.84	551	5.6	158	45617	0.7	2.3	295.9	12550	84
5150	AMI 630L6A B	10223	995	97.1	97.2	0.83	0.81	613	5.5	200	49436	0.6	2.2	321.4	13270	84
5600	AMI 630L6A B	10224	995	97.2	97.3	0.85	0.82	655	5.7	211	53740	0.6	2.5	344.1	13810	84

Modular induction motors, type AMI

Technical data

IP55, IC611, insulation class F, temperature rise class B
6000 V, 50 Hz

Output (kW)	Motor type	Product ID	Speed (r/min)	Efficiency		Power factor		Current			Torque			Rotor inertia (kgm ²)	Motor weight (kg)	Sound pressure level <i>L_p</i> (dB(A))
				Full load 100%	3/4 load 75%	Full load 100%	3/4 load 75%	<i>I_N</i> (A)	<i>I_S</i> <i>I_N</i> (pu)	<i>I₀</i> (A)	<i>T_N</i> (Nm)	<i>T_S</i> <i>T_N</i> (pu)	<i>T_{max}</i> <i>T_N</i> (pu)			
750 r/min = 8 poles																
6000 V 50 Hz																
280	AMI 400L8A	10225	742	94.0	94.3	0.82	0.78	35	5.1	14	3604	0.8	2.1	19.3	2870	77
315	AMI 400L8A	10226	742	94.1	94.3	0.81	0.76	40	5.2	17	4054	0.8	2.1	19.3	2880	77
355	AMI 400L8A	10227	741	94.2	94.6	0.83	0.79	44	4.9	17	4572	0.8	1.9	20.8	2970	77
400	AMI 400L8A	10228	742	94.3	94.6	0.81	0.76	50	5.1	22	5150	0.8	2.0	20.8	2970	77
450	AMI 400L8A	10229	741	94.4	94.8	0.82	0.78	56	5.0	23	5796	0.8	2.0	22.2	3070	77
530	AMI 400L8A	10230	742	94.8	95.1	0.83	0.80	65	5.0	25	6825	0.8	1.9	26.6	3340	77
560	AMI 450L8A	10231	741	94.8	95.1	0.84	0.81	67	5.2	25	7220	0.8	2.1	39.7	3880	77
630	AMI 450L8A	10232	743	95.2	95.3	0.80	0.75	80	5.5	37	8096	0.8	2.3	40.2	3890	77
710	AMI 450L8A	10233	743	95.3	95.4	0.79	0.74	90	5.7	43	9122	0.9	2.4	43.0	4010	77
800	AMI 450L8A	10234	743	95.5	95.6	0.81	0.76	100	5.4	45	10278	0.8	2.1	48.1	4250	77
900	AMI 450L8A	10235	742	95.6	95.8	0.84	0.81	108	5.6	40	11576	0.9	2.2	56.1	4600	77
1000	AMI 500L8A	10236	744	95.5	95.7	0.84	0.81	120	5.0	41	12835	0.7	1.9	76.2	5270	77
1120	AMI 500L8A	10237	744	95.7	95.8	0.84	0.82	134	5.2	46	14369	0.7	1.9	85.3	5580	77
1250	AMI 500L8A	10238	745	95.8	95.9	0.83	0.80	150	5.5	57	16028	0.8	2.1	94.3	5880	77
1400	AMI 500L8A	10239	745	96.0	96.0	0.82	0.77	172	5.9	72	17936	0.8	2.3	107.6	6330	77
1600	AMI 560L8A B	10240	744	96.2	96.4	0.85	0.82	189	5.0	60	20523	0.6	2.1	153.8	7900	78
1800	AMI 560L8A B	10241	745	96.3	96.5	0.84	0.82	214	5.1	70	23087	0.6	2.1	161.0	8090	78
2000	AMI 560L8A B	10242	745	96.4	96.6	0.84	0.82	237	5.0	74	25635	0.6	2.0	176.2	8480	78
2240	AMI 560L8A B	10243	745	96.5	96.7	0.84	0.82	265	5.0	83	28708	0.6	2.0	190.6	8870	78
2500	AMI 560L8A B	10244	745	96.6	96.8	0.84	0.81	297	5.3	99	32029	0.7	2.1	204.9	9260	78
2750	AMI 560L8A B	10245	746	96.7	96.9	0.85	0.82	323	5.4	104	35223	0.7	2.1	233.7	10020	78
3150	AMI 630L8A B	10246	745	96.7	96.8	0.85	0.83	370	5.3	109	40351	0.7	2.0	330.6	11840	79
3500	AMI 630L8A B	10247	746	96.8	97.0	0.86	0.84	407	5.4	116	44820	0.7	2.0	379.4	12810	79
3900	AMI 630L8A B	10248	746	96.9	97.0	0.86	0.84	451	5.8	132	49918	0.8	2.1	440.4	14010	79

Modular induction motors, type AMI

Technical data

IP55, IC611, insulation class F, temperature rise class B
6000 V, 50 Hz

Output (kW)	Motor type	Product ID	Speed (r/min)	Efficiency		Power factor		Current			Torque			Rotor inertia (kgm ²)	Motor weight (kg)	Sound pressure level <i>L_p</i> (dB(A))
				Full load 100%	3/4 load 75%	Full load 100%	3/4 load 75%	<i>I_N</i> (A)	<i>I_S</i> <i>I_N</i> (pu)	<i>I₀</i> (A)	<i>T_N</i> (Nm)	<i>T_S</i> <i>T_N</i> (pu)	<i>T_{max}</i> <i>T_N</i> (pu)			
600 r/min = 10 poles																
6000 V 50 Hz																
200	AMI 400L10A	10249	592	92.9	92.8	0.70	0.63	30	4.0	17	3225	0.6	1.9	16.1	3010	76
224	AMI 400L10A	10250	592	93.0	92.9	0.69	0.62	34	3.9	20	3614	0.6	1.9	16.1	3010	76
250	AMI 400L10A	10251	593	93.2	93.1	0.72	0.66	36	4.4	20	4029	0.7	2.0	19.5	3050	76
280	AMI 400L10A	10252	592	93.3	93.4	0.74	0.68	39	4.2	20	4517	0.7	1.9	20.7	3150	76
315	AMI 400L10A	10253	594	93.7	93.6	0.74	0.68	44	4.7	23	5068	0.8	2.0	25.0	3250	76
355	AMI 400L10A	10254	593	93.8	93.8	0.75	0.69	49	4.6	25	5715	0.8	1.9	26.4	3340	76
400	AMI 450L10A	10255	592	94.0	94.4	0.82	0.78	50	4.5	20	6457	0.8	1.8	39.8	3860	76
450	AMI 450L10A	10256	592	94.2	94.6	0.82	0.78	56	4.6	22	7264	0.8	1.8	42.5	3980	76
500	AMI 450L10A	10257	592	94.4	94.7	0.81	0.78	63	4.7	25	8066	0.9	1.9	45.2	4090	76
560	AMI 450L10A	10258	592	94.5	94.9	0.82	0.78	70	4.8	27	9033	0.9	1.9	50.5	4330	76
650	AMI 450L10A	10259	593	94.9	95.1	0.80	0.75	82	5.2	37	10464	1.0	2.1	53.5	4460	76
710	AMI 500L10A	10260	594	95.2	95.5	0.83	0.80	86	5.0	32	11423	0.8	1.9	75.4	5270	76
800	AMI 500L10A	10261	594	95.1	95.5	0.84	0.81	97	4.8	35	12871	0.7	1.9	80.2	5390	76
900	AMI 500L10A	10262	594	95.4	95.7	0.83	0.80	109	5.1	41	14469	0.8	2.0	89.2	5690	76
1000	AMI 500L10A	10263	595	95.7	95.9	0.82	0.79	122	5.0	46	16056	0.8	1.9	94.4	5880	76
1100	AMI 500L10A	10264	595	95.8	95.9	0.81	0.77	136	5.6	58	17640	0.9	2.1	107.9	6300	76
1250	AMI 560L10A B	10265	593	95.6	96.0	0.85	0.82	148	5.2	51	20116	0.8	2.3	160.6	7630	75
1400	AMI 560L10A B	10266	593	95.7	96.1	0.85	0.83	164	5.0	52	22527	0.7	2.1	177.1	8010	75
1600	AMI 560L10A B	10267	593	95.9	96.2	0.86	0.84	187	5.2	57	25755	0.8	2.2	208.3	8760	75
1800	AMI 560L10A B	10268	595	96.1	96.3	0.84	0.81	214	5.5	74	28884	0.9	2.1	233.1	9250	75
2050	AMI 560L10A B	10269	596	96.3	96.4	0.82	0.78	249	5.7	98	32867	0.9	2.2	256.3	9820	75
2240	AMI 630L10A B	10270	595	96.4	96.6	0.85	0.83	262	5.5	83	35956	0.9	2.1	349.2	11340	76
2500	AMI 630L10A B	10271	595	96.5	96.7	0.85	0.83	292	5.4	92	40117	0.8	2.1	391.2	12050	76
2800	AMI 630L10A B	10272	596	96.7	96.8	0.84	0.81	333	5.7	119	44833	0.8	2.1	437.3	12730	76
3150	AMI 630L10A B	10273	597	96.9	97.0	0.82	0.79	381	5.7	147	50371	0.7	2.2	516.2	13980	76

Modular induction motors, type AMI

Technical data

IP55, IC611, insulation class F, temperature rise class B
6000 V, 50 Hz

Output (kW)	Motor type	Product ID	Speed (r/min)	Efficiency		Power factor		Current			Torque			Rotor inertia (kgm ²)	Motor weight (kg)	Sound pressure level <i>L_p</i> (dB(A))
				Full load 100%	3/4 load 75%	Full load 100%	3/4 load 75%	<i>I_N</i> (A)	<i>I_S</i> <i>I_N</i> (pu)	<i>I₀</i> (A)	<i>T_N</i> (Nm)	<i>T_S</i> <i>T_N</i> (pu)	<i>T_{max}</i> <i>T_N</i> (pu)			
500 r/min = 12 poles																
6000 V 50 Hz																
180	AMI 400L12A	10274	494	91.4	90.9	0.65	0.57	29	3.9	19	3483	0.8	2.0	18.2	2960	76
200	AMI 400L12A	10275	492	91.6	91.3	0.68	0.62	31	3.7	18	3879	0.7	1.7	19.4	3050	76
224	AMI 400L12A	10276	492	91.7	91.7	0.70	0.64	33	3.5	18	4350	0.7	1.6	20.6	3140	76
245	AMI 400L12A	10277	493	92.2	92.0	0.71	0.65	36	4.0	20	4745	0.8	1.8	26.2	3320	76
280	AMI 450L12A	10278	493	93.5	93.7	0.76	0.71	38	4.3	19	5418	0.8	1.9	39.9	3850	76
315	AMI 450L12A	10279	493	93.6	93.8	0.77	0.72	42	4.2	20	6098	0.7	1.8	42.6	3960	76
355	AMI 450L12A	10280	493	93.7	94.0	0.77	0.72	47	4.1	22	6874	0.7	1.8	45.2	4080	76
400	AMI 450L12A	10281	493	93.9	94.1	0.77	0.72	53	4.2	25	7744	0.7	1.8	47.9	4200	76
450	AMI 450L12A	10282	494	93.9	94.0	0.75	0.69	61	4.5	31	8700	0.8	1.9	53.3	4410	76
500	AMI 500L12A	10283	493	94.5	94.7	0.78	0.74	65	4.3	29	9677	0.7	1.9	70.2	5100	76
560	AMI 500L12A	10284	494	94.6	94.8	0.78	0.73	73	4.4	34	10833	0.7	1.9	74.6	5250	76
630	AMI 500L12A	10285	494	94.8	95.0	0.78	0.74	82	4.4	37	12187	0.7	1.9	83.5	5550	76
710	AMI 500L12A	10286	494	94.9	95.1	0.78	0.73	92	4.6	43	13726	0.7	2.0	92.5	5850	76
800	AMI 500L12A	10287	494	95.1	95.2	0.78	0.73	104	4.8	49	15456	0.8	2.0	105.9	6290	76
900	AMI 560L12A B	10288	493	95.1	95.5	0.82	0.78	111	4.6	44	17422	0.7	2.1	159.7	7550	74
1000	AMI 560L12A B	10289	494	95.3	95.7	0.81	0.77	125	4.9	53	19341	0.8	2.2	167.8	7750	74
1120	AMI 560L12A B	10290	494	95.5	95.9	0.82	0.78	137	4.8	54	21663	0.7	2.2	191.9	8340	74
1250	AMI 560L12A B	10291	494	95.7	96.0	0.81	0.76	155	5.2	67	24149	0.8	2.4	208.0	8680	74
1400	AMI 560L12A B	10292	495	95.8	96.1	0.80	0.75	175	5.4	78	27029	0.9	2.5	232.2	9220	74
1600	AMI 560L12A B	10293	495	95.9	96.2	0.81	0.76	199	5.4	87	30891	0.9	2.4	256.3	9810	74
1800	AMI 630L12A B	10294	495	96.2	96.5	0.83	0.80	218	5.2	80	34696	0.9	2.1	335.1	11030	75
2000	AMI 630L12A B	10295	496	96.3	96.6	0.83	0.80	241	5.3	88	38537	0.9	2.1	378.2	11730	75
2240	AMI 630L12A B	10296	496	96.5	96.7	0.83	0.79	270	5.6	105	43097	0.9	2.3	438.8	12680	75
2500	AMI 630L12A B	10297	497	96.7	96.8	0.81	0.77	306	5.6	128	48045	0.8	2.4	514.8	13860	75

Modular induction motors, type AMI

Technical data

IP55, IC611, insulation class F, temperature rise class B
10000 V, 50 Hz

Output (kW)	Motor type	Product ID	Speed (r/min)	Efficiency		Power factor		Current			Torque			Rotor inertia (kgm ²)	Motor weight (kg)	Sound pressure level <i>L_p</i> (dB(A))
				Full load 100%	3/4 load 75%	Full load 100%	3/4 load 75%	<i>I_N</i> (A)	<i>I_S</i> <i>I_N</i> (pu)	<i>I₀</i> (A)	<i>T_N</i> (Nm)	<i>T_S</i> <i>T_N</i> (pu)	<i>T_{max}</i> <i>T_N</i> (pu)			
3000 r/min = 2 poles																
10000 V 50 Hz																
630	AMI 450L2A	10298	2973	93.5	93.4	0.87	0.85	45	4.9	13	2023	0.5	2.2	9.9	3710	86
710	AMI 450L2A	10299	2973	93.8	93.7	0.86	0.84	51	4.9	16	2281	0.5	2.2	9.9	3720	86
800	AMI 450L2A	10300	2975	94.2	94.2	0.88	0.86	56	4.7	15	2568	0.4	2.0	10.5	3860	86
900	AMI 450L2A	10301	2978	94.6	94.6	0.86	0.84	63	5.2	19	2886	0.5	2.2	11.0	3950	86
1000	AMI 450L2A	10302	2980	95.1	95.0	0.88	0.85	69	5.7	20	3205	0.6	2.5	12.4	4230	86
1120	AMI 450L2A	10303	2980	95.6	95.5	0.88	0.86	77	5.7	21	3588	0.6	2.4	12.4	4320	86
1250	AMI 450L2A	10304	2982	95.8	95.8	0.89	0.87	85	5.8	22	4003	0.6	2.4	13.1	4460	86
1280	AMI 450L2A	10305	2989	96.0	96.0	0.89	0.87	87	5.8	22	4090	0.4	2.4	17.6	4610	86
1400	AMI 500L2A	10306	2980	95.6	95.5	0.89	0.88	95	5.4	25	4486	0.5	2.4	19.6	5010	87
1600	AMI 500L2A	10307	2981	95.9	95.8	0.90	0.88	108	5.4	27	5125	0.5	2.3	20.8	5190	87
1800	AMI 500L2A	10308	2982	96.1	96.1	0.90	0.88	121	5.6	31	5765	0.5	2.4	22.1	5380	87
2000	AMI 500L2A	10309	2982	96.3	96.3	0.90	0.89	132	5.7	31	6404	0.5	2.4	24.7	5750	87
2150	AMI 500L2A	10310	2984	96.5	96.4	0.88	0.86	146	5.8	43	6880	0.5	2.5	25.3	5880	87
2200	AMI 500L2A	10311	2990	96.7	96.6	0.88	0.86	150	5.8	43	7027	0.4	2.4	33.2	6070	87
2500	AMI 560L2A B	10312	2982	96.3	96.3	0.90	0.89	167	5.6	39	8007	0.5	2.7	38.6	8680	80
2800	AMI 560L2A B	10313	2982	96.5	96.5	0.90	0.89	186	5.7	41	8967	0.5	2.7	42.1	9120	80
3150	AMI 560L2A B	10314	2981	96.7	96.7	0.91	0.90	207	5.7	41	10089	0.5	2.7	45.8	9530	80
3550	AMI 560L2A B	10315	2984	96.8	96.8	0.91	0.90	234	5.9	48	11361	0.5	2.7	50.9	10130	80
4000	AMI 560L2A B	10317	2987	97.1	97.1	0.91	0.90	263	5.9	57	12787	0.4	2.8	65.2	10420	80
4400	AMI 630L2A B	10318	2984	96.5	96.4	0.92	0.93	285	5.8	40	14080	0.5	2.7	95.3	12580	81
4800	AMI 630L2A B	10319	2985	96.6	96.5	0.92	0.92	311	5.8	45	15358	0.5	2.7	104.5	13350	81
5150	AMI 630L2A B	10320	2989	96.8	96.7	0.93	0.93	331	5.9	44	16451	0.4	2.6	135.9	13760	81
1500 r/min = 4 poles																
10000 V 50 Hz																
800	AMI 450L4A	10321	1486	94.5	94.4	0.86	0.83	57	5.4	20	5141	0.6	2.2	24.1	3920	81
900	AMI 450L4A	10322	1484	94.5	94.5	0.87	0.85	63	5.0	19	5791	0.6	2.1	24.2	3920	81
1000	AMI 450L4A	10323	1487	95.0	95.0	0.85	0.82	71	5.5	26	6422	0.6	2.3	24.6	3950	81
1120	AMI 450L4A	10324	1486	95.1	95.2	0.86	0.84	79	5.3	26	7195	0.6	2.3	25.9	4070	81
1250	AMI 450L4A	10325	1486	95.3	95.4	0.87	0.85	87	5.3	27	8032	0.6	2.2	27.3	4200	81
1400	AMI 450L4A	10326	1487	95.6	95.7	0.87	0.84	98	5.8	33	8988	0.7	2.5	30.0	4450	81
1600	AMI 500L4A	10327	1489	95.4	95.5	0.88	0.87	110	5.5	30	10261	0.6	2.2	54.7	5400	82
1800	AMI 500L4A	10328	1491	95.7	95.8	0.88	0.86	123	5.6	35	11528	0.6	2.2	61.3	5710	82
2100	AMI 500L4A	10329	1493	96.1	96.1	0.88	0.86	144	5.9	42	13432	0.6	2.2	69.2	6050	82
2240	AMI 560L4A B	10330	1488	95.7	95.7	0.90	0.90	149	5.4	31	14372	0.6	2.5	102.5	7900	86
2500	AMI 560L4A B	10331	1490	96.0	95.9	0.88	0.87	171	5.6	42	16021	0.6	2.5	106.7	8100	86
2800	AMI 560L4A B	10332	1490	96.2	96.2	0.89	0.88	190	5.6	45	17942	0.6	2.4	115.6	8510	86
3150	AMI 560L4A B	10333	1490	96.2	96.3	0.89	0.88	212	5.7	49	20184	0.7	2.5	124.7	8810	86
3550	AMI 560L4A B	10334	1491	96.4	96.5	0.87	0.86	244	5.6	63	22741	0.7	2.5	133.6	9230	86
3900	AMI 560L4A B	10335	1491	96.6	96.6	0.85	0.83	274	5.9	81	24971	0.7	2.7	142.2	9610	86
4500	AMI 630L4A B	10336	1491	96.6	96.6	0.89	0.89	301	5.6	64	28816	0.6	2.5	197.4	11570	87
5000	AMI 630L4A B	10337	1491	96.7	96.8	0.90	0.89	333	5.7	70	32014	0.6	2.5	212.1	12070	87
5400	AMI 630L4A B	10338	1492	96.8	96.9	0.89	0.88	363	5.8	83	34562	0.6	2.6	225.8	12570	87
5900	AMI 630L4A B	10339	1492	97.0	97.0	0.88	0.87	400	5.8	95	37751	0.6	2.5	246.4	13300	87

Modular induction motors, type AMI

Technical data

IP55, IC611, insulation class F, temperature rise class B
10000 V, 50 Hz

Output (kW)	Motor type	Product ID	Speed (r/min)	Efficiency		Power factor		Current			Torque			Rotor inertia (kgm ²)	Motor weight (kg)	Sound pressure level <i>L_p</i> (dB(A))
				Full load 100%	3/4 load 75%	Full load 100%	3/4 load 75%	<i>I_N</i> (A)	<i>I_S</i> <i>I_N</i> (pu)	<i>I₀</i> (A)	<i>T_N</i> (Nm)	<i>T_S</i> <i>T_N</i> (pu)	<i>T_{max}</i> <i>T_N</i> (pu)			
1000 r/min = 6 poles																
10000 V 50 Hz																
560	AMI 450L6A	10340	989	94.6	94.5	0.82	0.78	42	5.3	17	5405	0.9	2.1	30.0	4010	79
630	AMI 450L6A	10341	989	94.7	94.7	0.84	0.80	46	5.3	17	6082	0.8	2.1	30.3	4010	79
710	AMI 450L6A	10342	989	94.8	94.9	0.85	0.82	51	4.9	18	6855	0.7	2.0	30.5	4010	79
800	AMI 450L6A	10343	989	94.7	95.1	0.85	0.83	57	4.4	18	7726	0.6	1.8	30.7	4020	79
900	AMI 450L6A	10344	990	95.1	95.4	0.84	0.81	65	4.7	23	8677	0.6	1.9	32.8	4150	79
980	AMI 450L6A	10345	992	95.4	95.5	0.82	0.77	73	5.3	30	9437	0.7	2.2	34.6	4280	79
1120	AMI 500L6A	10346	994	95.4	95.5	0.86	0.83	79	5.5	27	10763	0.6	2.2	64.8	5230	79
1250	AMI 500L6A	10347	994	95.6	95.7	0.85	0.82	89	5.6	32	12011	0.6	2.2	68.4	5380	79
1400	AMI 500L6A	10348	994	95.7	95.8	0.83	0.79	101	5.8	40	13448	0.7	2.3	72.0	5530	79
1500	AMI 500L6A	10349	994	95.9	95.9	0.81	0.77	111	5.9	48	14403	0.7	2.3	75.5	5690	79
1750	AMI 560L6A B	10350	992	95.7	95.9	0.87	0.85	121	5.5	35	16839	0.7	2.3	129.3	7610	83
2000	AMI 560L6A B	10351	992	95.9	96.1	0.88	0.86	137	5.5	38	19244	0.7	2.3	141.3	7980	83
2240	AMI 560L6A B	10352	993	96.2	96.3	0.87	0.85	155	5.7	46	21542	0.8	2.4	152.9	8360	83
2500	AMI 560L6A B	10353	994	96.2	96.4	0.89	0.88	169	5.6	42	24023	0.7	2.1	173.7	8870	83
2850	AMI 560L6A B	10354	995	96.5	96.6	0.86	0.83	199	5.8	65	27347	0.6	2.3	187.9	9280	83
3150	AMI 630L6A B	10355	993	96.5	96.6	0.86	0.84	219	5.7	66	30281	0.7	2.5	236.0	11040	84
3550	AMI 630L6A B	10356	993	96.6	96.7	0.87	0.85	244	5.7	68	34131	0.7	2.5	255.1	11520	84
4000	AMI 630L6A B	10357	993	96.7	96.9	0.88	0.87	270	5.6	66	38467	0.7	2.4	283.1	12230	84
4500	AMI 630L6A B	10358	994	96.9	97.0	0.87	0.86	307	5.8	82	43215	0.7	2.4	305.0	12730	84
4900	AMI 630L6A B	10359	995	97.0	97.1	0.86	0.83	341	5.8	105	47025	0.6	2.5	324.6	13220	84
750 r/min = 8 poles																
10000 V 50 Hz																
630	AMI 500L8A	10360	743	94.5	94.4	0.83	0.78	46	5.5	19	8095	0.7	2.2	72.5	5160	77
710	AMI 500L8A	10361	742	94.5	94.6	0.85	0.81	51	5.5	19	9134	0.8	2.2	73.0	5160	77
800	AMI 500L8A	10362	743	94.7	94.9	0.85	0.82	58	5.4	20	10284	0.8	2.1	78.0	5320	77
900	AMI 500L8A	10363	743	94.8	95.0	0.85	0.82	64	5.5	22	11570	0.8	2.1	82.5	5470	77
1000	AMI 500L8A	10364	745	95.2	95.4	0.85	0.82	71	5.5	25	12825	0.8	2.0	92.8	5780	77
1100	AMI 500L8A	10365	745	95.4	95.5	0.84	0.81	79	5.8	29	14096	0.8	2.2	98.5	5940	77
1250	AMI 560L8A B	10366	744	95.7	95.8	0.85	0.83	89	5.0	29	16035	0.6	2.1	145.6	7600	78
1500	AMI 560L8A B	10367	744	95.8	96.0	0.85	0.83	107	4.8	34	19251	0.6	2.0	152.7	7790	78
1700	AMI 560L8A B	10368	744	95.9	96.1	0.83	0.81	123	5.0	42	21811	0.6	2.1	159.8	7980	78
1900	AMI 560L8A B	10369	744	96.1	96.2	0.83	0.81	137	5.2	47	24371	0.7	2.1	174.0	8360	78
2120	AMI 560L8A B	10370	745	96.2	96.4	0.84	0.82	151	5.3	51	27184	0.7	2.2	195.2	8920	78
2240	AMI 560L8A B	10371	745	96.3	96.3	0.83	0.79	163	5.9	63	28694	0.8	2.5	216.3	9410	78
2500	AMI 630L8A B	10372	746	96.5	96.6	0.85	0.83	176	5.4	56	32018	0.6	2.2	305.4	11310	79
2800	AMI 630L8A B	10373	746	96.6	96.6	0.84	0.82	199	5.5	67	35844	0.6	2.2	340.9	11940	79
3150	AMI 630L8A B	10374	746	96.6	96.7	0.86	0.84	219	5.5	66	40333	0.6	2.2	378.6	12650	79
3550	AMI 630L8A B	10375	746	96.8	96.8	0.83	0.80	255	5.7	93	45417	0.6	2.3	424.5	13600	79

Modular induction motors, type AMI

Technical data

IP55, IC611, insulation class F, temperature rise class B
10000 V, 50 Hz

Output (kW)	Motor type	Product ID	Speed (r/min)	Efficiency		Power factor		Current			Torque			Rotor inertia (kgm ²)	Motor weight (kg)	Sound pressure level <i>L_p</i> (dB(A))
				Full load 100%	3/4 load 75%	Full load 100%	3/4 load 75%	<i>I_N</i> (A)	<i>I_S</i> <i>I_N</i> (pu)	<i>I₀</i> (A)	<i>T_N</i> (Nm)	<i>T_S</i> <i>T_N</i> (pu)	<i>T_{max}</i> <i>T_N</i> (pu)			
600 r/min = 10 poles																
10000 V 50 Hz																
530	AMI 500L10A	10376	593	93.9	94.2	0.83	0.79	39	5.2	16	8529	0.7	2.1	70.1	5000	76
600	AMI 500L10A	10377	595	94.1	94.4	0.81	0.76	45	5.3	20	9637	0.7	2.1	70.9	5020	76
650	AMI 500L10A	10378	595	94.4	94.6	0.82	0.77	49	5.3	21	10439	0.8	2.1	75.4	5170	76
710	AMI 500L10A	10379	595	94.6	94.8	0.81	0.76	54	5.3	24	11388	0.8	2.0	80.6	5330	76
770	AMI 500L10A	10380	595	94.7	95.0	0.83	0.78	57	5.4	23	12365	0.8	2.1	88.9	5600	76
900	AMI 560L10A B	10381	593	94.7	95.2	0.87	0.85	63	4.7	19	14502	0.6	2.1	160.4	7520	75
1000	AMI 560L10A B	10382	593	95.0	95.4	0.86	0.83	71	5.2	24	16098	0.7	2.2	160.4	7530	75
1120	AMI 560L10A B	10383	594	95.3	95.5	0.84	0.80	81	5.5	31	17993	0.8	2.3	160.7	7550	75
1250	AMI 560L10A B	10384	594	95.4	95.7	0.84	0.81	90	5.5	33	20081	0.8	2.3	176.8	7910	75
1400	AMI 560L10A B	10385	596	95.7	96.0	0.83	0.80	101	5.5	38	22448	0.8	2.2	194.1	8300	75
1600	AMI 560L10A B	10386	596	96.0	96.2	0.84	0.80	115	5.5	42	25633	0.8	2.2	219.9	8870	75
1700	AMI 560L10A B	10387	597	96.1	96.1	0.80	0.75	128	5.7	57	27213	0.7	2.4	236.0	9240	75
1800	AMI 630L10A B	10388	594	96.0	96.2	0.85	0.83	127	5.4	43	28915	0.8	2.2	344.1	11180	76
2000	AMI 630L10A B	10389	595	96.0	96.3	0.87	0.85	139	5.5	41	32093	0.8	2.1	391.5	11820	76
2240	AMI 630L10A B	10390	596	96.2	96.4	0.84	0.82	159	5.6	56	35902	0.8	2.2	416.2	12280	76
2600	AMI 630L10A B	10391	597	96.5	96.5	0.82	0.79	189	5.8	75	41621	0.7	2.3	476.4	13250	76
500 r/min = 12 poles																
10000 V 50 Hz																
355	AMI 500L12A	10392	494	93.3	93.4	0.76	0.70	29	4.2	15	6857	0.6	2.0	60.8	5010	76
400	AMI 500L12A	10393	494	93.3	93.5	0.75	0.69	33	4.2	17	7727	0.6	2.0	60.8	5010	76
450	AMI 500L12A	10394	495	93.4	93.4	0.75	0.68	37	5.0	20	8683	0.8	2.2	74.7	5150	76
500	AMI 500L12A	10395	495	93.6	93.6	0.76	0.69	41	4.9	22	9650	0.8	2.2	79.2	5290	76
560	AMI 500L12A	10396	494	93.8	94.0	0.78	0.73	44	4.7	21	10818	0.7	2.0	88.1	5580	76
630	AMI 560L12A B	10397	493	93.9	94.7	0.84	0.82	46	4.1	15	12210	0.6	2.0	159.5	7490	74
710	AMI 560L12A B	10398	493	94.1	94.8	0.83	0.81	52	4.2	19	13752	0.6	2.0	159.5	7490	74
800	AMI 560L12A B	10399	493	94.3	94.9	0.82	0.79	59	4.5	23	15482	0.7	2.1	159.5	7500	74
900	AMI 560L12A B	10400	495	94.7	95.2	0.81	0.77	67	4.6	28	17374	0.7	2.1	169.0	7700	74
1000	AMI 560L12A B	10401	495	94.9	95.4	0.82	0.78	74	4.6	30	19303	0.6	2.1	185.2	8060	74
1120	AMI 560L12A B	10402	495	95.1	95.6	0.82	0.78	83	4.7	34	21611	0.7	2.1	201.5	8430	74
1250	AMI 560L12A B	10403	495	95.4	95.7	0.81	0.76	93	4.9	40	24095	0.7	2.3	226.5	8990	74
1400	AMI 630L12A B	10404	495	95.6	95.9	0.83	0.79	102	5.3	41	27018	0.8	2.3	329.8	10870	75
1600	AMI 630L12A B	10405	495	95.8	96.0	0.82	0.78	117	5.5	48	30864	0.8	2.4	372.3	11560	75
1800	AMI 630L12A B	10406	496	96.0	96.1	0.81	0.76	134	5.7	58	34653	0.8	2.3	430.2	12440	75
2000	AMI 630L12A B	10407	497	96.1	96.3	0.80	0.75	149	5.7	68	38464	0.7	2.6	472.1	13120	75

Modular induction motors, type AMI

Technical data

IP24W, IC01, insulation class F, temperature rise class B
3000 V, 50 Hz

Output (kW)	Motor type	Product ID	Speed (r/min)	Efficiency		Power factor		Current			Torque			Rotor inertia (kgm ²)	Motor weight (kg)	Sound pressure level <i>L_p</i> (dB(A))
				Full load 100%	3/4 load 75%	Full load 100%	3/4 load 75%	<i>I_N</i> (A)	<i>I_S</i> <i>I_N</i> (pu)	<i>I₀</i> (A)	<i>T_N</i> (Nm)	<i>T_S</i> <i>T_N</i> (pu)	<i>T_{max}</i> <i>T_N</i> (pu)			
3000 r/min = 2 poles																
3000 V 50 Hz																
710	AMI 400L2W	10500	2972	95.7	95.9	0.86	0.84	166	5.0	44	2281	0.6	2.1	6.2	2880	82
800	AMI 400L2W	10501	2968	95.6	95.9	0.86	0.85	187	4.4	44	2574	0.5	1.9	6.2	2880	82
900	AMI 400L2W	10502	2964	95.4	95.9	0.86	0.86	210	3.9	44	2900	0.4	1.7	6.2	2880	82
1000	AMI 400L2W	10503	2964	95.5	96.1	0.87	0.87	231	4.0	44	3222	0.5	1.7	6.7	2990	82
1120	AMI 400L2W	10504	2967	95.8	96.3	0.87	0.87	259	4.2	54	3604	0.4	1.8	6.8	3060	82
1250	AMI 400L2W	10505	2968	96.0	96.5	0.88	0.89	284	4.2	52	4022	0.5	1.8	7.5	3230	82
1370	AMI 400L2W	10506	2970	96.2	96.7	0.89	0.89	309	4.5	57	4405	0.5	1.9	8.1	3370	82
1400	AMI 400L2W	10507	2977	96.4	96.8	0.89	0.89	315	4.6	55	4491	0.5	1.8	11.0	3490	82
1400	AMI 450L2W	10508	2974	96.3	96.6	0.88	0.87	318	4.3	70	4496	0.4	1.9	11.6	4050	83
1600	AMI 450L2W	10509	2963	96.0	96.5	0.87	0.88	367	3.7	68	5156	0.4	1.6	11.9	4060	83
1800	AMI 450L2W	10510	2972	96.4	96.8	0.87	0.87	412	4.2	90	5783	0.4	1.8	12.3	4180	83
2100	AMI 450L2W	10511	2974	96.6	97.0	0.88	0.87	475	4.5	105	6742	0.4	1.9	13.7	4470	83
2200	AMI 450L2W	10512	2983	96.9	97.2	0.89	0.89	490	4.7	104	7043	0.4	2.0	18.4	4630	83
2240	AMI 500L2W	10513	2966	96.1	96.6	0.89	0.88	507	4.0	104	7212	0.4	1.7	19.6	5250	84
2650	AMI 500L2W	10514	2972	96.6	96.9	0.90	0.90	590	4.1	112	8513	0.4	1.8	21.5	5380	84
3100	AMI 500L2W	10515	2977	96.9	97.3	0.90	0.90	681	4.6	128	9943	0.4	1.9	25.0	5960	84
3150	AMI 500L2W	10516	2984	97.1	97.4	0.90	0.90	691	4.7	126	10082	0.4	1.9	33.7	6160	84
3550	AMI 560L2W B	10517	2980	97.0	97.2	0.90	0.90	781	5.1	156	11377	0.4	2.4	38.9	8130	87
4000	AMI 560L2W B	10518	2978	97.0	97.3	0.91	0.91	875	4.7	150	12828	0.4	2.3	40.7	8380	87
4500	AMI 560L2W B	10519	2979	97.1	97.4	0.91	0.91	982	5.0	177	14426	0.4	2.4	44.4	8780	87
4900	AMI 560L2W B	10520	2980	97.2	97.5	0.92	0.92	1058	5.1	174	15702	0.5	2.4	47.6	9190	87
5400	AMI 560L2W B	10521	2981	97.3	97.5	0.91	0.91	1169	5.5	218	17296	0.5	2.6	51.3	9590	87
5800	AMI 560L2W B	10522	2987	97.5	97.7	0.92	0.92	1248	5.3	214	18542	0.4	2.4	69.0	9910	87
6200	AMI 630L2W B	10523	2981	97.0	97.2	0.91	0.91	1348	5.0	206	19863	0.4	2.4	91.0	11490	88
6900	AMI 630L2W B	10524	2982	97.3	97.4	0.92	0.91	1490	5.6	238	22095	0.5	2.7	93.5	11900	88
7500	AMI 630L2W B	10525	2983	97.3	97.4	0.91	0.91	1632	5.7	279	24009	0.5	2.7	107.8	12820	88
8000	AMI 630L2W B	10526	2987	97.4	97.5	0.92	0.92	1720	5.6	268	25573	0.4	2.6	138.9	13220	88

Modular induction motors, type AMI

Technical data

IP24W, IC01, insulation class F, temperature rise class B
3000 V, 50 Hz

Output (kW)	Motor type	Product ID	Speed (r/min)	Efficiency		Power factor		Current			Torque			Rotor inertia (kgm ²)	Motor weight (kg)	Sound pressure level <i>L_p</i> (dB(A))
				Full load 100%	3/4 load 75%	Full load 100%	3/4 load 75%	<i>I_N</i> (A)	<i>I_S</i> <i>I_N</i> (pu)	<i>I₀</i> (A)	<i>T_N</i> (Nm)	<i>T_S</i> <i>T_N</i> (pu)	<i>T_{max}</i> <i>T_N</i> (pu)			
1500 r/min = 4 poles																
3000 V 50 Hz																
710	AMI 400L4W	10527	1484	95.3	95.6	0.85	0.82	169	4.8	57	4568	0.6	2.0	13.1	2770	79
800	AMI 400L4W	10528	1483	95.3	95.7	0.86	0.84	188	4.5	55	5150	0.6	1.9	14.1	2850	79
900	AMI 400L4W	10529	1484	95.5	95.9	0.86	0.85	210	4.8	62	5792	0.6	1.9	15.1	2940	79
1000	AMI 400L4W	10530	1484	95.6	96.0	0.87	0.85	232	4.9	66	6435	0.7	2.0	16.1	3040	79
1120	AMI 400L4W	10531	1484	95.8	96.2	0.87	0.85	260	5.0	75	7206	0.7	2.0	17.1	3150	79
1300	AMI 400L4W	10532	1483	95.9	96.3	0.88	0.87	296	4.8	73	8369	0.7	1.9	19.2	3350	79
1400	AMI 450L4W	10533	1485	95.8	96.2	0.88	0.88	321	4.3	71	9002	0.5	1.7	27.9	3870	80
1500	AMI 450L4W	10534	1487	96.0	96.4	0.88	0.87	343	4.7	84	9636	0.6	1.8	29.7	4000	80
1700	AMI 450L4W	10535	1487	96.2	96.5	0.87	0.86	392	5.0	106	10914	0.6	2.0	31.5	4130	80
1900	AMI 450L4W	10536	1488	96.3	96.6	0.87	0.86	435	5.4	118	12192	0.7	2.1	35.0	4360	80
2100	AMI 450L4W	10537	1488	96.4	96.7	0.87	0.86	481	5.4	131	13475	0.7	2.1	36.8	4490	80
2200	AMI 500L4W	10538	1487	96.1	96.5	0.88	0.88	499	4.4	106	14124	0.5	1.7	50.6	5140	81
2360	AMI 500L4W	10539	1488	96.2	96.6	0.89	0.88	533	4.6	115	15145	0.5	1.7	53.7	5300	81
2650	AMI 500L4W	10540	1488	96.3	96.7	0.88	0.88	599	4.7	131	17005	0.6	1.8	56.7	5460	81
2900	AMI 500L4W	10541	1489	96.5	96.9	0.89	0.89	646	4.9	135	18595	0.6	1.8	63.4	5790	81
3250	AMI 500L4W	10542	1490	96.7	97.0	0.90	0.90	719	5.0	145	20836	0.6	1.9	69.5	6130	81
3550	AMI 560L4W B	10543	1489	96.5	96.9	0.87	0.87	811	4.4	163	22773	0.5	1.9	96.3	7580	83
4100	AMI 560L4W B	10544	1489	96.7	97.1	0.89	0.90	917	4.5	154	26300	0.5	1.9	110.4	8150	83
4750	AMI 560L4W B	10545	1489	96.9	97.3	0.90	0.90	1054	4.8	176	30457	0.6	2.0	124.5	8760	83
5500	AMI 560L4W B	10546	1491	97.2	97.4	0.89	0.88	1227	5.7	265	35229	0.6	2.5	134.5	9180	83
6300	AMI 630L4W B	10547	1491	97.2	97.5	0.89	0.89	1405	4.9	255	40349	0.5	2.1	207.7	11860	84
7100	AMI 630L4W B	10548	1492	97.4	97.6	0.89	0.87	1584	5.8	366	45429	0.6	2.6	230.5	12620	84
8000	AMI 630L4W B	10549	1491	97.4	97.6	0.89	0.89	1771	5.3	351	51221	0.5	2.3	237.9	12850	84

Modular induction motors, type AMI

Technical data

IP24W, IC01, insulation class F, temperature rise class B
3000 V, 50 Hz

Output (kW)	Motor type	Product ID	Speed (r/min)	Efficiency		Power factor		Current			Torque			Rotor inertia (kgm ²)	Motor weight (kg)	Sound pressure level <i>L_p</i> (dB(A))
				Full load 100%	3/4 load 75%	Full load 100%	3/4 load 75%	<i>I_N</i> (A)	<i>I_S</i> <i>I_N</i> (pu)	<i>I₀</i> (A)	<i>T_N</i> (Nm)	<i>T_S</i> <i>T_N</i> (pu)	<i>T_{max}</i> <i>T_N</i> (pu)			
1000 r/min = 6 poles																
3000 V 50 Hz																
500	AMI 400L6W	10550	987	94.9	95.3	0.85	0.82	120	4.6	40	4839	0.7	1.8	15.5	2780	77
560	AMI 400L6W	10551	988	95.2	95.4	0.84	0.81	135	4.9	49	5414	0.8	2.0	16.7	2880	77
630	AMI 400L6W	10552	988	95.1	95.3	0.81	0.77	158	5.0	65	6089	0.8	2.0	16.7	2860	77
710	AMI 400L6W	10553	988	95.1	95.5	0.82	0.78	175	4.9	68	6865	0.8	2.0	18.0	2960	77
800	AMI 400L6W	10554	988	95.2	95.6	0.82	0.79	197	4.9	74	7736	0.8	2.0	19.2	3060	77
900	AMI 400L6W	10555	988	95.3	95.7	0.82	0.78	222	4.9	86	8702	0.9	2.0	20.4	3150	77
980	AMI 400L6W	10556	988	95.5	95.8	0.83	0.80	237	5.0	85	9472	0.9	2.0	22.8	3340	77
1000	AMI 450L6W	10557	989	95.6	96.1	0.85	0.83	237	4.7	72	9656	0.6	1.9	33.2	3760	78
1120	AMI 450L6W	10558	989	95.7	96.2	0.85	0.83	265	4.7	81	10813	0.6	1.9	35.5	3890	78
1250	AMI 450L6W	10559	990	95.9	96.3	0.85	0.83	294	5.1	92	12059	0.7	2.0	40.0	4120	78
1400	AMI 450L6W	10560	990	96.0	96.4	0.85	0.83	330	5.1	102	13507	0.7	2.0	42.2	4240	78
1600	AMI 450L6W	10561	990	96.2	96.5	0.85	0.83	377	5.3	121	15431	0.8	2.1	46.7	4500	78
1800	AMI 500L6W	10562	991	96.2	96.6	0.88	0.87	410	4.9	104	17353	0.7	1.9	65.5	5290	79
2000	AMI 500L6W	10563	991	96.3	96.7	0.87	0.85	462	5.3	135	19267	0.8	2.0	69.1	5450	79
2240	AMI 500L6W	10564	991	96.3	96.8	0.88	0.87	508	5.0	128	21576	0.7	1.9	77.2	5730	79
2500	AMI 500L6W	10565	992	96.5	96.9	0.87	0.86	570	5.5	162	24060	0.8	2.1	84.6	6030	79
2700	AMI 500L6W	10566	992	96.6	96.9	0.87	0.85	618	5.7	180	25997	0.9	2.2	87.6	6200	79
3150	AMI 560L6W B	10567	992	96.6	97.0	0.88	0.87	716	5.0	164	30314	0.6	2.0	141.2	7840	80
3550	AMI 560L6W B	10568	992	96.8	97.2	0.88	0.87	804	5.4	190	34159	0.8	2.2	158.4	8430	80
4000	AMI 560L6W B	10569	992	96.9	97.2	0.88	0.87	905	5.3	210	38491	0.8	2.2	170.7	8820	80
4400	AMI 560L6W B	10570	993	97.0	97.3	0.88	0.88	988	5.4	219	42333	0.8	2.2	189.2	9400	80
5000	AMI 630L6W B	10571	993	97.1	97.4	0.87	0.86	1144	5.2	287	48077	0.7	2.2	258.6	11480	81
5600	AMI 630L6W B	10572	993	97.1	97.4	0.88	0.88	1260	5.1	275	53849	0.7	2.1	296.4	12400	81
6500	AMI 630L6W B	10573	993	97.2	97.5	0.88	0.88	1456	5.1	303	62503	0.7	2.1	334.2	13360	81

Modular induction motors, type AMI

Technical data

IP24W, IC01, insulation class F, temperature rise class B
3000 V, 50 Hz

Output (kW)	Motor type	Product ID	Speed (r/min)	Efficiency		Power factor		Current			Torque			Rotor inertia (kgm ²)	Motor weight (kg)	Sound pressure level <i>L_p</i> (dB(A))
				Full load 100%	3/4 load 75%	Full load 100%	3/4 load 75%	<i>I_N</i> (A)	<i>I_S</i> <i>I_N</i> (pu)	<i>I₀</i> (A)	<i>T_N</i> (Nm)	<i>T_S</i> <i>T_N</i> (pu)	<i>T_{max}</i> <i>T_N</i> (pu)			
750 r/min = 8 poles																
3000 V 50 Hz																
315	AMI 400L8W	10574	742	94.9	95.0	0.80	0.76	79	5.1	35	4054	0.8	2.1	17.8	2750	75
355	AMI 400L8W	10575	741	94.7	95.1	0.82	0.78	88	4.6	35	4576	0.7	1.8	17.8	2750	75
400	AMI 400L8W	10576	740	94.5	94.9	0.81	0.77	101	4.5	41	5159	0.7	1.8	17.8	2750	75
450	AMI 400L8W	10577	740	94.8	95.2	0.82	0.78	112	4.5	44	5803	0.7	1.8	19.2	2850	75
500	AMI 400L8W	10578	740	94.9	95.3	0.82	0.79	123	4.5	46	6450	0.7	1.7	20.7	2940	75
560	AMI 400L8W	10579	740	94.9	95.4	0.82	0.79	138	4.4	51	7224	0.7	1.7	22.1	3040	75
630	AMI 400L8W	10580	740	95.1	95.5	0.82	0.79	155	4.5	58	8126	0.7	1.7	23.6	3140	75
680	AMI 400L8W	10581	741	95.2	95.7	0.83	0.80	166	4.6	59	8768	0.7	1.7	26.5	3320	75
710	AMI 450L8W	10582	742	95.5	95.8	0.81	0.77	176	5.1	74	9136	0.8	2.1	38.1	3740	76
800	AMI 450L8W	10583	742	95.6	95.8	0.81	0.76	199	5.2	86	10291	0.8	2.1	40.8	3860	76
900	AMI 450L8W	10584	742	95.6	95.9	0.82	0.78	220	5.3	88	11577	0.8	2.1	46.1	4070	76
1000	AMI 450L8W	10585	742	95.7	96.0	0.83	0.79	242	5.1	94	12868	0.8	2.0	48.8	4200	76
1150	AMI 450L8W	10586	742	95.8	96.1	0.82	0.78	281	5.3	113	14790	0.8	2.1	54.2	4440	76
1250	AMI 500L8W	10587	741	95.5	95.9	0.84	0.82	300	4.6	98	16107	0.7	1.8	71.1	5070	77
1400	AMI 500L8W	10588	742	95.7	96.0	0.84	0.81	335	4.9	113	18025	0.7	1.9	79.9	5380	77
1600	AMI 500L8W	10589	742	95.9	96.2	0.84	0.82	381	5.2	129	20585	0.8	2.0	93.2	5830	77
1800	AMI 500L8W	10590	743	96.1	96.4	0.84	0.82	429	5.1	142	23119	0.8	1.9	103.3	6150	77
2000	AMI 560L8W B	10591	742	96.2	96.6	0.85	0.84	471	4.5	130	25750	0.6	1.9	147.2	7630	76
2240	AMI 560L8W B	10592	742	96.2	96.7	0.85	0.85	524	4.4	136	28845	0.6	1.9	161.2	8010	76
2500	AMI 560L8W B	10593	742	96.3	96.7	0.86	0.85	582	4.5	153	32185	0.6	1.9	175.0	8400	76
2800	AMI 560L8W B	10594	743	96.4	96.8	0.85	0.84	660	4.6	181	35998	0.7	1.8	189.1	8710	76
3150	AMI 560L8W B	10595	744	96.6	96.9	0.84	0.83	745	4.8	212	40442	0.7	1.8	211.1	9310	76
3400	AMI 560L8W B	10596	745	96.8	97.0	0.83	0.81	812	5.1	258	43600	0.7	2.0	220.1	9520	76
3550	AMI 630L8W B	10597	744	96.7	97.1	0.84	0.83	845	4.5	222	45541	0.6	1.7	294.9	10910	77
4000	AMI 630L8W B	10598	745	96.9	97.2	0.84	0.84	946	4.6	245	51297	0.6	1.8	331.5	11650	77
4500	AMI 630L8W B	10599	745	96.9	97.2	0.85	0.84	1052	4.9	275	57719	0.6	1.9	378.6	12600	77
4800	AMI 630L8W B	10600	745	97.0	97.3	0.86	0.86	1113	4.7	264	61529	0.6	1.8	429.1	13590	77

Modular induction motors, type AMI

Technical data

IP24W, IC01, insulation class F, temperature rise class B
3000 V, 50 Hz

Output (kW)	Motor type	Product ID	Speed (r/min)	Efficiency		Power factor		Current			Torque			Rotor inertia (kgm ²)	Motor weight (kg)	Sound pressure level <i>L_p</i> (dB(A))
				Full load 100%	3/4 load 75%	Full load 100%	3/4 load 75%	<i>I_N</i> (A)	<i>I_S</i> <i>I_N</i> (pu)	<i>I₀</i> (A)	<i>T_N</i> (Nm)	<i>T_S</i> <i>T_N</i> (pu)	<i>T_{max}</i> <i>T_N</i> (pu)			
600 r/min = 10 poles																
3000 V 50 Hz																
250	AMI 400L10W	10601	590	93.5	93.9	0.76	0.72	67	4.0	31	4043	0.7	1.7	17.5	2750	75
280	AMI 400L10W	10602	590	93.7	94.0	0.77	0.72	75	4.0	33	4529	0.7	1.7	18.9	2850	75
315	AMI 400L10W	10603	591	93.8	94.2	0.77	0.72	84	4.0	38	5093	0.7	1.7	20.4	2940	75
355	AMI 400L10W	10604	590	94.0	94.4	0.78	0.74	93	3.9	39	5742	0.6	1.7	23.2	3130	75
400	AMI 400L10W	10605	591	94.2	94.4	0.76	0.71	107	4.3	50	6460	0.7	1.8	24.6	3230	75
450	AMI 400L10W	10606	591	94.1	94.4	0.77	0.72	120	4.2	54	7272	0.7	1.7	26.1	3310	75
500	AMI 450L10W	10607	591	94.7	95.2	0.82	0.79	123	4.3	45	8073	0.7	1.7	40.5	3830	76
560	AMI 450L10W	10608	592	94.8	95.3	0.82	0.79	138	4.4	52	9038	0.8	1.8	43.2	3950	76
630	AMI 450L10W	10609	592	95.0	95.4	0.81	0.77	157	4.7	64	10159	0.8	1.9	45.9	4080	76
710	AMI 450L10W	10610	591	94.7	95.2	0.82	0.79	176	4.3	65	11463	0.8	1.7	48.6	4160	76
780	AMI 450L10W	10611	591	95.0	95.5	0.83	0.80	191	4.2	65	12599	0.7	1.7	54.0	4440	76
900	AMI 500L10W	10612	593	95.3	95.8	0.83	0.80	219	4.5	78	14496	0.7	1.8	72.3	5050	77
1000	AMI 500L10W	10613	593	95.5	95.9	0.84	0.81	241	4.5	82	16106	0.7	1.8	81.3	5350	77
1120	AMI 500L10W	10614	593	95.7	96.1	0.84	0.81	269	4.7	93	18030	0.7	1.8	90.3	5670	77
1200	AMI 500L10W	10615	593	95.7	96.1	0.84	0.81	289	4.8	102	19313	0.7	1.9	94.8	5810	77
1350	AMI 500L10W	10616	593	95.8	96.2	0.83	0.80	325	4.9	116	21722	0.8	1.9	103.8	6130	77
1600	AMI 560L10W B	10617	592	95.8	96.3	0.85	0.84	377	4.5	113	25787	0.7	2.0	157.4	7370	75
1800	AMI 560L10W B	10618	593	96.0	96.5	0.86	0.84	422	4.7	124	28991	0.7	2.0	181.6	7950	75
2000	AMI 560L10W B	10619	593	96.0	96.5	0.86	0.85	467	4.6	131	32221	0.7	1.9	197.7	8330	75
2240	AMI 560L10W B	10620	593	96.2	96.7	0.85	0.84	524	4.6	147	36044	0.6	1.9	215.7	8740	75
2600	AMI 560L10W B	10621	595	96.6	96.9	0.84	0.82	616	5.3	207	41728	0.8	2.1	248.3	9510	75
2800	AMI 630L10W B	10622	594	96.5	96.9	0.86	0.84	651	5.1	187	44989	0.8	2.0	366.9	11350	75
3150	AMI 630L10W B	10623	594	96.6	97.0	0.86	0.85	729	5.1	203	50609	0.8	2.0	409.9	12080	75
3400	AMI 630L10W B	10624	595	96.8	97.1	0.86	0.85	787	5.1	216	54532	0.8	1.9	443.6	12580	75
3700	AMI 630L10W B	10625	596	96.9	97.1	0.86	0.84	855	5.5	249	59303	0.8	2.1	501.6	13470	75

Modular induction motors, type AMI

Technical data

IP24W, IC01, insulation class F, temperature rise class B
3000 V, 50 Hz

Output (kW)	Motor type	Product ID	Speed (r/min)	Efficiency		Power factor		Current			Torque			Rotor inertia (kgm ²)	Motor weight (kg)	Sound pressure level <i>L_p</i> (dB(A))
				Full load 100%	3/4 load 75%	Full load 100%	3/4 load 75%	<i>I_N</i> (A)	<i>I_s</i> <i>I_N</i> (pu)	<i>I₀</i> (A)	<i>T_N</i> (Nm)	<i>T_s</i> <i>T_N</i> (pu)	<i>T_{max}</i> <i>T_N</i> (pu)			
500 r/min = 12 poles																
3000 V 50 Hz																
160	AMI 400L12W	10626	493	92.3	92.0	0.69	0.62	48	4.0	28	3101	0.9	1.9	17.5	2750	75
200	AMI 400L12W	10627	492	92.6	92.5	0.71	0.65	59	3.8	32	3879	0.8	1.8	19.0	2850	75
224	AMI 400L12W	10628	492	92.8	92.7	0.71	0.65	66	3.9	36	4343	0.8	1.8	20.4	2940	75
250	AMI 400L12W	10629	493	92.8	92.8	0.71	0.65	73	3.8	39	4842	0.7	1.7	22.2	3020	75
280	AMI 400L12W	10630	493	93.1	92.9	0.70	0.63	83	4.1	47	5422	0.8	1.9	24.7	3230	75
315	AMI 400L12W	10631	493	93.1	92.9	0.70	0.64	93	4.0	51	6103	0.8	1.8	26.2	3300	75
355	AMI 450L12W	10632	493	94.2	94.5	0.75	0.70	96	4.1	46	6878	0.7	1.8	37.7	3710	76
400	AMI 450L12W	10633	493	94.2	94.5	0.76	0.71	108	4.0	51	7752	0.7	1.7	40.4	3820	76
450	AMI 450L12W	10634	493	94.3	94.6	0.76	0.71	121	4.0	57	8720	0.7	1.7	43.0	3940	76
500	AMI 450L12W	10635	493	94.4	94.8	0.77	0.72	133	4.0	60	9691	0.7	1.7	48.4	4180	76
560	AMI 450L12W	10636	493	94.6	94.9	0.77	0.72	148	4.0	66	10851	0.7	1.7	53.8	4420	76
630	AMI 500L12W	10637	493	94.7	95.1	0.77	0.73	165	4.0	74	12198	0.6	1.7	67.3	4890	77
710	AMI 500L12W	10638	493	94.8	95.3	0.79	0.75	183	3.9	76	13752	0.6	1.7	76.2	5200	77
800	AMI 500L12W	10639	494	95.1	95.5	0.78	0.74	207	4.1	91	15479	0.6	1.8	85.2	5520	77
900	AMI 500L12W	10640	493	95.2	95.6	0.79	0.75	231	4.0	96	17421	0.6	1.7	94.2	5820	77
970	AMI 500L12W	10641	493	95.1	95.5	0.80	0.76	246	4.1	98	18794	0.6	1.7	102.5	6120	77
1120	AMI 560L12W B	10642	493	95.6	96.1	0.81	0.77	278	4.3	111	21682	0.6	2.0	149.2	7170	74
1250	AMI 560L12W B	10643	493	95.7	96.2	0.81	0.77	311	4.4	125	24196	0.6	2.0	157.2	7350	74
1400	AMI 560L12W B	10644	493	95.7	96.2	0.82	0.78	345	4.2	130	27108	0.6	1.9	173.4	7730	74
1600	AMI 560L12W B	10645	493	95.8	96.3	0.82	0.79	391	4.3	145	30971	0.6	1.9	197.7	8290	74
1800	AMI 560L12W B	10646	494	96.0	96.5	0.81	0.77	445	4.7	181	34794	0.7	2.1	222.0	8860	74
2000	AMI 560L12W B	10647	495	96.2	96.6	0.81	0.78	492	4.5	192	38614	0.7	2.0	247.7	9440	74
2240	AMI 630L12W B	10648	495	96.3	96.8	0.84	0.81	532	5.0	182	43247	0.8	2.2	366.6	11280	74
2500	AMI 630L12W B	10649	496	96.6	96.9	0.83	0.79	601	5.4	229	48171	0.8	2.4	412.9	12000	74
2800	AMI 630L12W B	10650	495	96.6	96.9	0.83	0.80	669	5.4	250	53993	0.8	2.4	452.6	12710	74
3000	AMI 630L12W B	10651	496	96.7	97.0	0.84	0.81	714	5.2	251	57762	0.8	2.1	499.9	13430	74

Modular induction motors, type AMI

Technical data

IP24W, IC01, insulation class F, temperature rise class B
6000 V, 50 Hz

Output (kW)	Motor type	Product ID	Speed (r/min)	Efficiency		Power factor		Current			Torque			Rotor inertia (kgm ²)	Motor weight (kg)	Sound pressure level <i>L_p</i> (dB(A))
				Full load 100%	3/4 load 75%	Full load 100%	3/4 load 75%	<i>I_N</i> (A)	<i>I_s</i> <i>I_N</i> (pu)	<i>I₀</i> (A)	<i>T_N</i> (Nm)	<i>T_s</i> <i>T_N</i> (pu)	<i>T_{max}</i> <i>T_N</i> (pu)			
3000 r/min = 2 poles																
6000 V 50 Hz																
710	AMI 400L2W	10652	2975	95.6	95.8	0.86	0.84	83	5.0	23	2279	0.5	2.2	6.1	2840	82
800	AMI 400L2W	10653	2971	95.4	95.8	0.86	0.85	93	4.5	23	2571	0.5	1.9	6.1	2840	82
900	AMI 400L2W	10654	2971	95.6	96.0	0.88	0.87	103	4.5	23	2893	0.5	1.9	6.6	2950	82
1000	AMI 400L2W	10655	2972	95.8	96.2	0.87	0.86	115	4.6	27	3213	0.5	2.0	6.8	3010	82
1100	AMI 400L2W	10656	2974	96.0	96.3	0.88	0.87	126	4.9	29	3533	0.5	2.0	7.3	3130	82
1200	AMI 400L2W	10657	2975	96.2	96.5	0.89	0.88	136	5.2	31	3852	0.6	2.1	8.0	3300	82
1350	AMI 400L2W	10658	2976	96.4	96.7	0.89	0.88	152	5.5	35	4331	0.6	2.2	8.7	3460	82
1380	AMI 400L2W	10659	2982	96.6	96.9	0.89	0.88	155	5.6	33	4419	0.6	2.2	11.7	3590	82
1400	AMI 450L2W	10660	2974	96.1	96.4	0.88	0.87	159	4.3	35	4495	0.4	1.8	11.6	3960	83
1600	AMI 450L2W	10661	2973	96.1	96.5	0.88	0.87	182	4.2	40	5139	0.4	1.8	11.9	4040	83
1800	AMI 450L2W	10662	2976	96.4	96.7	0.88	0.87	204	4.7	48	5776	0.4	2.0	13.0	4260	83
2100	AMI 450L2W	10663	2978	96.7	96.9	0.88	0.87	237	5.1	57	6733	0.5	2.2	14.6	4580	83
2150	AMI 450L2W	10664	2986	96.9	97.1	0.89	0.88	239	5.5	57	6876	0.4	2.3	19.5	4740	83
2240	AMI 500L2W	10665	2980	96.7	96.9	0.90	0.89	249	4.8	56	7178	0.4	2.1	21.1	5310	84
2500	AMI 500L2W	10666	2980	96.8	97.0	0.90	0.89	278	5.0	64	8010	0.5	2.1	22.4	5510	84
2800	AMI 500L2W	10667	2981	96.9	97.1	0.90	0.89	309	5.1	69	8970	0.5	2.2	24.4	5790	84
3100	AMI 500L2W	10668	2981	97.0	97.3	0.91	0.90	339	5.3	71	9930	0.5	2.2	27.4	6220	84
3200	AMI 500L2W	10669	2987	97.2	97.4	0.91	0.90	349	5.4	71	10229	0.4	2.2	37.0	6450	84
3300	AMI 560L2W B	10670	2978	96.9	97.1	0.90	0.90	363	5.1	74	10581	0.4	2.4	39.3	8110	87
3700	AMI 560L2W B	10671	2979	96.9	97.2	0.91	0.91	403	4.9	71	11861	0.4	2.4	40.7	8230	87
4100	AMI 560L2W B	10672	2978	97.1	97.3	0.91	0.91	446	5.0	77	13145	0.4	2.4	44.4	8740	87
4500	AMI 560L2W B	10673	2979	97.1	97.3	0.92	0.92	483	5.0	72	14426	0.5	2.4	48.2	9080	87
5250	AMI 560L2W B	10674	2980	97.3	97.5	0.92	0.92	566	5.6	100	16822	0.6	2.7	51.9	9530	87
5700	AMI 560L2W B	10675	2985	97.4	97.6	0.92	0.92	611	5.3	97	18237	0.4	2.5	67.9	9810	87
6100	AMI 630L2W B	10676	2981	97.1	97.2	0.91	0.91	666	5.5	113	19538	0.5	2.7	87.4	11290	88
6500	AMI 630L2W B	10677	2982	97.1	97.2	0.91	0.91	710	5.5	120	20812	0.4	2.6	97.4	11970	88
7100	AMI 630L2W B	10678	2983	97.2	97.3	0.91	0.92	769	5.2	115	22730	0.4	2.5	105.9	12770	88
8000	AMI 630L2W B	10679	2988	97.5	97.6	0.92	0.92	861	5.9	147	25567	0.4	2.8	134.9	12950	88

Modular induction motors, type AMI

Technical data

IP24W, IC01, insulation class F, temperature rise class B
6000 V, 50 Hz

Output (kW)	Motor type	Product ID	Speed (r/min)	Efficiency		Power factor		Current			Torque			Rotor inertia (kgm ²)	Motor weight (kg)	Sound pressure level <i>L_p</i> (dB(A))
				Full load 100%	3/4 load 75%	Full load 100%	3/4 load 75%	<i>I_N</i> (A)	<i>I_s</i> <i>I_N</i> (pu)	<i>I₀</i> (A)	<i>T_N</i> (Nm)	<i>T_s</i> <i>T_N</i> (pu)	<i>T_{max}</i> <i>T_N</i> (pu)			
1500 r/min = 4 poles																
6000 V 50 Hz																
710	AMI 400L4W	10680	1484	94.8	95.3	0.88	0.86	82	4.6	22	4570	0.6	1.8	14.1	2790	79
800	AMI 400L4W	10681	1486	95.2	95.5	0.86	0.84	94	5.2	30	5142	0.7	2.1	15.1	2890	79
900	AMI 400L4W	10682	1486	95.5	95.9	0.86	0.84	105	5.4	33	5785	0.7	2.2	16.1	3010	79
1000	AMI 400L4W	10683	1486	95.7	96.0	0.86	0.84	116	5.5	38	6426	0.8	2.2	17.1	3110	79
1120	AMI 400L4W	10684	1486	95.9	96.2	0.88	0.86	128	5.6	36	7198	0.8	2.2	19.2	3310	79
1300	AMI 400L4W	10685	1486	96.0	96.3	0.87	0.84	150	5.8	48	8352	0.8	2.3	20.2	3410	79
1400	AMI 450L4W	10686	1486	95.8	96.1	0.89	0.88	158	4.8	39	8997	0.5	2.0	29.4	3940	80
1600	AMI 450L4W	10687	1487	96.0	96.3	0.88	0.86	183	5.0	49	10278	0.6	2.0	31.1	4080	80
1800	AMI 450L4W	10688	1487	96.2	96.5	0.88	0.87	205	5.3	55	11557	0.6	2.2	34.6	4330	80
2100	AMI 450L4W	10689	1488	96.4	96.7	0.87	0.85	240	5.7	70	13476	0.7	2.3	38.1	4580	80
2150	AMI 500L4W	10690	1489	96.1	96.4	0.89	0.88	242	5.1	56	13787	0.5	2.0	53.8	5220	81
2360	AMI 500L4W	10691	1490	96.3	96.6	0.89	0.88	265	5.3	65	15130	0.6	2.1	56.8	5390	81
2650	AMI 500L4W	10692	1489	96.4	96.7	0.90	0.89	294	5.2	63	16990	0.6	2.0	62.9	5740	81
2950	AMI 500L4W	10693	1491	96.6	96.9	0.89	0.88	332	5.0	79	18897	0.6	1.9	66.9	5920	81
3250	AMI 500L4W	10694	1491	96.7	97.0	0.89	0.88	365	5.6	90	20816	0.7	2.1	72.3	6230	81
3550	AMI 560L4W B	10695	1490	96.6	96.9	0.89	0.88	397	5.4	87	22753	0.6	2.3	105.2	7830	83
4000	AMI 560L4W B	10696	1489	96.7	97.0	0.90	0.90	441	5.2	82	25646	0.6	2.3	114.5	8240	83
4500	AMI 560L4W B	10697	1490	96.9	97.2	0.88	0.87	506	5.6	117	28833	0.6	2.5	123.5	8640	83
5000	AMI 560L4W B	10698	1491	97.0	97.3	0.88	0.87	564	5.5	131	32034	0.6	2.5	132.4	9040	83
5500	AMI 560L4W B	10699	1491	97.1	97.3	0.87	0.86	627	5.7	157	35227	0.7	2.6	141.3	9440	83
6300	AMI 630L4W B	10700	1491	97.1	97.4	0.89	0.89	703	4.9	128	40350	0.5	2.1	207.7	11710	84
7100	AMI 630L4W B	10701	1490	97.2	97.5	0.89	0.89	792	4.7	136	45499	0.5	2.0	228.1	12490	84
7800	AMI 630L4W B	10702	1492	97.3	97.6	0.89	0.89	863	5.1	155	49937	0.6	2.2	252.4	13220	84

Modular induction motors, type AMI

Technical data

IP24W, IC01, insulation class F, temperature rise class B
6000 V, 50 Hz

Output (kW)	Motor type	Product ID	Speed (r/min)	Efficiency		Power factor		Current			Torque			Rotor inertia (kgm ²)	Motor weight (kg)	Sound pressure level <i>L_p</i> (dB(A))
				Full load 100%	3/4 load 75%	Full load 100%	3/4 load 75%	<i>I_N</i> (A)	<i>I_s</i> <i>I_N</i> (pu)	<i>I₀</i> (A)	<i>T_N</i> (Nm)	<i>T_s</i> <i>T_N</i> (pu)	<i>T_{max}</i> <i>T_N</i> (pu)			
1000 r/min = 6 poles																
6000 V 50 Hz																
500	AMI 400L6W	10703	989	94.8	95.0	0.83	0.79	61	5.4	24	4827	0.9	2.2	16.7	2820	77
560	AMI 400L6W	10704	989	94.8	95.0	0.80	0.75	71	5.5	33	5405	0.9	2.3	16.7	2820	77
630	AMI 400L6W	10705	989	95.0	95.2	0.81	0.76	79	5.4	34	6082	0.9	2.2	18.0	2920	77
710	AMI 400L6W	10706	989	95.1	95.3	0.81	0.77	88	5.4	37	6855	0.9	2.2	19.2	3010	77
800	AMI 400L6W	10707	989	95.2	95.4	0.81	0.76	100	5.4	43	7723	0.9	2.2	20.4	3110	77
900	AMI 400L6W	10708	989	95.3	95.6	0.83	0.79	110	5.4	43	8689	0.9	2.2	22.8	3290	77
950	AMI 450L6W	10709	989	95.4	95.9	0.85	0.83	113	4.8	35	9169	0.6	1.9	33.3	3720	78
1060	AMI 450L6W	10710	990	95.6	96.0	0.85	0.82	126	4.9	40	10228	0.7	1.9	35.6	3840	78
1180	AMI 450L6W	10711	990	95.8	96.1	0.84	0.81	141	5.1	48	11380	0.7	2.1	37.8	3970	78
1320	AMI 450L6W	10712	990	95.9	96.3	0.85	0.82	156	5.3	50	12728	0.7	2.1	42.3	4220	78
1500	AMI 450L6W	10713	991	96.1	96.4	0.85	0.82	178	5.5	59	14457	0.8	2.2	46.8	4460	78
1600	AMI 500L6W	10714	992	96.1	96.5	0.88	0.86	183	5.6	54	15395	0.7	2.1	66.2	5220	79
1800	AMI 500L6W	10715	992	96.1	96.4	0.86	0.84	209	5.8	66	17324	0.9	2.2	69.3	5340	79
2000	AMI 500L6W	10716	992	96.2	96.5	0.86	0.84	231	5.5	72	19244	0.7	2.1	73.6	5500	79
2240	AMI 500L6W	10717	992	96.4	96.7	0.88	0.87	255	5.1	68	21560	0.7	1.9	84.4	5970	79
2450	AMI 500L6W	10718	993	96.5	96.8	0.86	0.83	285	5.5	92	23562	0.7	2.1	88.0	6120	79
2500	AMI 560L6W B	10719	991	96.3	96.7	0.87	0.86	288	5.1	75	24078	0.7	2.1	120.7	7200	80
2800	AMI 560L6W B	10720	992	96.5	96.8	0.86	0.85	324	5.5	92	26947	0.8	2.4	132.9	7560	80
3300	AMI 560L6W B	10721	993	96.7	97.0	0.87	0.85	379	5.7	104	31750	0.8	2.4	151.3	8130	80
3550	AMI 560L6W B	10722	993	96.8	97.1	0.86	0.85	409	5.8	114	34145	0.8	2.5	163.1	8510	80
4000	AMI 560L6W B	10723	993	96.8	97.1	0.87	0.86	455	5.7	122	38473	0.8	2.4	187.5	9250	80
4300	AMI 560L6W B	10724	993	96.9	97.2	0.86	0.84	497	5.8	147	41346	0.8	2.5	193.2	9460	80
4500	AMI 630L6W B	10725	992	96.8	97.2	0.88	0.88	508	4.8	105	43325	0.6	2.1	248.3	11140	81
5000	AMI 630L6W B	10726	993	97.0	97.3	0.88	0.88	566	5.0	125	48089	0.6	2.1	268.1	11620	81
5600	AMI 630L6W B	10727	994	97.2	97.4	0.87	0.86	634	5.5	158	53811	0.7	2.3	305.5	12570	81
6500	AMI 630L6W B	10728	994	97.3	97.5	0.87	0.85	742	5.5	203	62427	0.7	2.4	336.0	13260	81

Modular induction motors, type AMI

Technical data

IP24W, IC01, insulation class F, temperature rise class B
6000 V, 50 Hz

Output (kW)	Motor type	Product ID	Speed (r/min)	Efficiency		Power factor		Current			Torque			Rotor inertia (kgm ²)	Motor weight (kg)	Sound pressure level <i>L_p</i> (dB(A))
				Full load 100%	3/4 load 75%	Full load 100%	3/4 load 75%	<i>I_N</i> (A)	<i>I_s</i> <i>I_N</i> (pu)	<i>I₀</i> (A)	<i>T_N</i> (Nm)	<i>T_s</i> <i>T_N</i> (pu)	<i>T_{max}</i> <i>T_N</i> (pu)			
750 r/min = 8 poles																
6000 V 50 Hz																
315	AMI 400L8W	10729	742	94.3	94.6	0.81	0.76	40	5.2	17	4054	0.8	2.1	17.8	2710	75
355	AMI 400L8W	10730	741	94.4	94.8	0.83	0.79	44	4.9	17	4572	0.8	1.9	19.3	2800	75
400	AMI 400L8W	10731	742	94.5	94.8	0.81	0.76	50	5.1	22	5150	0.8	2.0	19.3	2810	75
450	AMI 400L8W	10732	741	94.6	95.0	0.82	0.78	56	5.0	23	5796	0.8	2.0	20.7	2900	75
500	AMI 400L8W	10733	741	94.7	95.1	0.82	0.78	62	5.0	25	6440	0.8	2.0	22.2	2990	75
600	AMI 400L8W	10734	740	94.7	95.3	0.84	0.82	73	4.5	25	7740	0.7	1.7	25.1	3180	75
630	AMI 450L8W	10735	739	94.8	95.3	0.85	0.83	75	4.6	25	8137	0.7	1.8	37.5	3670	76
710	AMI 450L8W	10736	741	95.1	95.4	0.82	0.78	87	5.1	36	9148	0.8	2.1	37.7	3680	76
800	AMI 450L8W	10737	742	95.3	95.6	0.81	0.76	100	5.1	43	10292	0.8	2.1	40.7	3800	76
900	AMI 450L8W	10738	741	95.4	95.7	0.83	0.79	109	5.2	43	11592	0.8	2.1	45.8	4040	76
1050	AMI 450L8W	10739	741	95.4	95.9	0.85	0.83	125	4.8	40	13532	0.8	1.9	53.9	4400	76
1120	AMI 500L8W	10740	743	95.5	95.7	0.83	0.80	136	5.2	51	14397	0.7	2.1	71.7	5010	77
1250	AMI 500L8W	10741	742	95.5	95.9	0.86	0.84	147	4.8	45	16081	0.6	1.8	80.6	5310	77
1400	AMI 500L8W	10742	743	95.7	96.0	0.85	0.82	166	5.3	57	17992	0.7	2.1	89.5	5610	77
1650	AMI 500L8W	10743	745	96.1	96.2	0.83	0.80	199	5.5	74	21159	0.8	2.1	104.5	6090	77
1800	AMI 560L8W B	10744	744	96.2	96.5	0.83	0.81	218	4.6	70	23103	0.6	1.9	134.6	7180	76
2000	AMI 560L8W B	10745	744	96.3	96.6	0.83	0.80	242	4.9	81	25656	0.7	2.0	148.9	7540	76
2240	AMI 560L8W B	10746	744	96.4	96.7	0.83	0.82	268	4.8	84	28737	0.7	1.9	163.1	7930	76
2500	AMI 560L8W B	10747	744	96.5	96.8	0.83	0.82	298	4.9	93	32068	0.7	1.9	177.4	8310	76
2800	AMI 560L8W B	10748	745	96.6	96.8	0.84	0.82	333	5.1	106	35902	0.7	2.0	198.7	8850	76
3150	AMI 560L8W B	10749	745	96.7	96.9	0.83	0.80	377	5.4	129	40370	0.8	2.1	220.1	9430	76
3550	AMI 630L8W B	10750	745	96.8	97.1	0.85	0.85	414	5.0	110	45492	0.6	1.9	343.7	11750	77
3900	AMI 630L8W B	10751	745	96.8	97.0	0.85	0.84	459	5.0	125	50005	0.7	1.9	353.3	11980	77
4500	AMI 630L8W B	10752	745	97.0	97.2	0.86	0.85	521	5.0	132	57654	0.7	1.9	429.1	13440	77

Modular induction motors, type AMI

Technical data

IP24W, IC01, insulation class F, temperature rise class B
6000 V, 50 Hz

Output (kW)	Motor type	Product ID	Speed (r/min)	Efficiency		Power factor		Current			Torque			Rotor inertia (kgm ²)	Motor weight (kg)	Sound pressure level <i>L_p</i> (dB(A))
				Full load 100%	3/4 load 75%	Full load 100%	3/4 load 75%	<i>I_N</i> (A)	<i>I_s</i> <i>I_N</i> (pu)	<i>I₀</i> (A)	<i>T_N</i> (Nm)	<i>T_s</i> <i>T_N</i> (pu)	<i>T_{max}</i> <i>T_N</i> (pu)			
600 r/min = 10 poles																
6000 V 50 Hz																
250	AMI 400L10W	10753	591	93.0	93.2	0.71	0.65	36	3.6	20	4041	0.6	1.7	14.6	2850	75
280	AMI 400L10W	10754	591	93.2	93.4	0.74	0.68	39	4.0	20	4521	0.7	1.8	18.0	2890	75
315	AMI 400L10W	10755	591	93.3	93.6	0.76	0.71	43	3.8	20	5092	0.6	1.7	19.2	2980	75
355	AMI 400L10W	10756	593	93.6	93.8	0.75	0.70	48	4.3	23	5721	0.7	1.8	23.5	3080	75
400	AMI 400L10W	10757	592	93.6	94.0	0.76	0.72	54	4.1	25	6451	0.7	1.7	24.9	3170	75
450	AMI 450L10W	10758	591	94.0	94.6	0.83	0.80	56	4.2	20	7269	0.7	1.7	37.8	3650	76
500	AMI 450L10W	10759	591	94.2	94.8	0.83	0.80	62	4.2	22	8075	0.7	1.7	40.5	3770	76
560	AMI 450L10W	10760	591	94.2	94.8	0.82	0.79	70	4.3	25	9051	0.8	1.7	43.0	3890	76
650	AMI 450L10W	10761	592	94.5	95.0	0.82	0.78	81	4.5	32	10487	0.8	1.8	45.9	4010	76
740	AMI 450L10W	10762	592	94.7	95.2	0.82	0.78	92	4.6	37	11935	0.8	1.8	51.3	4250	76
800	AMI 500L10W	10763	593	95.1	95.6	0.84	0.81	97	4.5	35	12892	0.6	1.8	71.9	5020	77
900	AMI 500L10W	10764	594	95.4	95.8	0.82	0.79	110	4.9	43	14477	0.7	2.0	76.8	5180	77
1000	AMI 500L10W	10765	593	95.2	95.7	0.84	0.81	120	4.6	43	16110	0.7	1.9	85.3	5430	77
1120	AMI 500L10W	10766	593	95.5	95.9	0.84	0.81	135	4.6	46	18031	0.7	1.8	90.3	5620	77
1250	AMI 500L10W	10767	594	95.7	96.0	0.83	0.79	151	5.2	58	20095	0.8	2.0	103.8	6040	77
1400	AMI 560L10W B	10768	592	95.5	96.0	0.85	0.83	165	4.7	52	22583	0.7	2.1	148.8	7100	75
1600	AMI 560L10W B	10769	593	95.8	96.2	0.85	0.83	188	5.1	61	25780	0.8	2.3	172.8	7660	75
1800	AMI 560L10W B	10770	593	95.8	96.3	0.86	0.83	211	5.1	67	29001	0.8	2.2	188.8	8040	75
2000	AMI 560L10W B	10771	593	96.0	96.4	0.86	0.84	233	5.0	69	32197	0.8	2.1	213.3	8610	75
2240	AMI 560L10W B	10772	594	96.2	96.5	0.85	0.83	263	5.4	87	36026	0.9	2.3	229.4	8990	75
2400	AMI 560L10W B	10773	595	96.4	96.6	0.84	0.81	286	5.6	104	38491	0.9	2.3	248.3	9320	75
2500	AMI 630L10W B	10774	594	96.3	96.7	0.86	0.84	291	5.0	83	40177	0.8	2.0	338.3	10770	75
2800	AMI 630L10W B	10775	594	96.4	96.8	0.86	0.85	325	5.2	92	44981	0.8	2.0	381.2	11490	75
3150	AMI 630L10W B	10776	596	96.7	97.0	0.85	0.83	369	5.5	118	50479	0.8	2.1	428.1	12170	75
3350	AMI 630L10W B	10777	597	96.8	97.0	0.85	0.83	393	5.5	127	53628	0.8	2.2	464.5	12670	75
3700	AMI 630L10W B	10778	597	96.9	97.1	0.85	0.82	435	5.7	145	59216	0.8	2.2	508.6	13420	75

Modular induction motors, type AMI

Technical data

IP24W, IC01, insulation class F, temperature rise class B
6000 V, 50 Hz

Output (kW)	Motor type	Product ID	Speed (r/min)	Efficiency		Power factor		Current			Torque			Rotor inertia (kgm ²)	Motor weight (kg)	Sound pressure level <i>L_p</i> (dB(A))
				Full load 100%	3/4 load 75%	Full load 100%	3/4 load 75%	<i>I_N</i> (A)	<i>I_s</i> <i>I_N</i> (pu)	<i>I₀</i> (A)	<i>T_N</i> (Nm)	<i>T_s</i> <i>T_N</i> (pu)	<i>T_{max}</i> <i>T_N</i> (pu)			
500 r/min = 12 poles																
6000 V 50 Hz																
180	AMI 400L12W	10779	494	91.5	91.0	0.65	0.57	29	3.9	19	3483	0.8	2.0	16.7	2790	75
200	AMI 400L12W	10780	492	91.7	91.5	0.68	0.62	31	3.7	18	3879	0.7	1.7	17.9	2880	75
224	AMI 400L12W	10781	492	91.8	91.8	0.70	0.64	33	3.5	18	4350	0.7	1.6	19.1	2980	75
250	AMI 400L12W	10782	492	92.0	92.1	0.73	0.67	36	3.8	19	4850	0.7	1.7	23.3	3060	75
280	AMI 400L12W	10783	492	92.1	92.3	0.73	0.68	40	3.6	20	5436	0.7	1.6	24.7	3150	75
315	AMI 450L12W	10784	493	93.4	93.7	0.75	0.69	43	4.1	22	6101	0.7	1.8	35.0	3530	76
355	AMI 450L12W	10785	493	93.4	93.8	0.76	0.71	48	4.0	23	6879	0.7	1.7	37.7	3640	76
400	AMI 450L12W	10786	494	93.7	94.1	0.75	0.69	55	4.0	27	7737	0.7	1.8	40.8	3770	76
450	AMI 450L12W	10787	493	93.9	94.4	0.77	0.73	60	3.9	27	8711	0.6	1.7	46.3	4010	76
500	AMI 450L12W	10788	493	93.7	94.1	0.77	0.72	67	4.1	31	9683	0.7	1.7	51.1	4200	76
560	AMI 500L12W	10789	492	94.3	94.8	0.79	0.76	72	3.9	29	10859	0.6	1.7	66.8	4850	77
630	AMI 500L12W	10790	493	94.5	94.9	0.79	0.75	81	4.0	34	12210	0.6	1.7	71.2	5000	77
710	AMI 500L12W	10791	493	94.6	95.1	0.80	0.76	91	4.0	37	13761	0.6	1.7	80.1	5300	77
800	AMI 500L12W	10792	493	94.8	95.2	0.79	0.75	102	4.2	43	15495	0.6	1.7	89.1	5600	77
930	AMI 500L12W	10793	493	95.0	95.3	0.79	0.76	118	4.2	49	18007	0.7	1.7	102.5	6040	77
1000	AMI 560L12W B	10794	493	95.1	95.7	0.82	0.79	123	4.3	47	19358	0.6	2.0	149.2	7040	74
1120	AMI 560L12W B	10795	494	95.3	95.8	0.81	0.77	139	4.5	57	21664	0.6	2.1	157.2	7230	74
1250	AMI 560L12W B	10796	493	95.4	95.9	0.82	0.78	154	4.5	60	24204	0.7	2.0	172.0	7620	74
1400	AMI 560L12W B	10797	493	95.6	96.0	0.82	0.78	172	4.7	67	27091	0.7	2.1	196.4	8160	74
1600	AMI 560L12W B	10798	494	95.7	96.1	0.82	0.78	196	4.8	78	30945	0.8	2.2	220.6	8700	74
1800	AMI 560L12W B	10799	495	96.0	96.4	0.82	0.78	221	4.8	86	34756	0.8	2.0	246.3	9300	74
2000	AMI 630L12W B	10800	495	96.2	96.6	0.83	0.80	241	4.8	85	38551	0.7	2.0	326.1	10470	74
2240	AMI 630L12W B	10801	495	96.3	96.7	0.84	0.82	266	4.7	85	43180	0.7	1.9	384.0	11410	74
2500	AMI 630L12W B	10802	496	96.4	96.8	0.84	0.82	296	4.9	97	48162	0.7	2.0	441.9	12340	74
2800	AMI 630L12W B	10803	496	96.5	96.8	0.84	0.81	334	5.4	118	53935	0.9	2.1	496.5	13250	74

Modular induction motors, type AMI

Technical data

IP24W, IC01, insulation class F, temperature rise class B
10000 V, 50 Hz

Output (kW)	Motor type	Product ID	Speed (r/min)	Efficiency		Power factor		Current			Torque			Rotor inertia (kgm ²)	Motor weight (kg)	Sound pressure level <i>L_p</i> (dB(A))
				Full load 100%	3/4 load 75%	Full load 100%	3/4 load 75%	<i>I_N</i> (A)	<i>I_s</i> <i>I_N</i> (pu)	<i>I₀</i> (A)	<i>T_N</i> (Nm)	<i>T_s</i> <i>T_N</i> (pu)	<i>T_{max}</i> <i>T_N</i> (pu)			
3000 r/min = 2 poles																
10000 V 50 Hz																
630	AMI 450L2W	10804	2974	94.4	94.5	0.87	0.85	44	5.1	13	2023	0.5	2.2	10.3	3520	83
710	AMI 450L2W	10805	2976	94.6	94.7	0.86	0.83	50	5.0	16	2279	0.5	2.2	10.2	3520	83
800	AMI 450L2W	10806	2977	95.0	95.1	0.86	0.83	56	5.4	18	2566	0.5	2.3	11.0	3670	83
900	AMI 450L2W	10807	2976	95.2	95.3	0.87	0.84	63	5.3	19	2888	0.6	2.3	11.5	3760	83
1000	AMI 450L2W	10808	2978	95.4	95.6	0.88	0.85	69	5.3	20	3207	0.5	2.3	12.1	3890	83
1120	AMI 450L2W	10809	2978	95.5	95.7	0.88	0.86	77	5.3	22	3592	0.5	2.3	12.6	3990	83
1250	AMI 450L2W	10810	2979	96.0	96.2	0.88	0.86	85	5.5	23	4007	0.6	2.4	12.5	4050	83
1500	AMI 450L2W	10811	2981	96.3	96.4	0.88	0.85	103	5.8	30	4805	0.6	2.5	13.4	4270	83
1530	AMI 450L2W	10812	2988	96.6	96.6	0.88	0.86	104	5.8	29	4889	0.4	2.4	18.1	4420	83
1600	AMI 500L2W	10813	2979	96.0	96.2	0.88	0.87	109	4.8	28	5129	0.4	2.1	17.4	4690	84
1800	AMI 500L2W	10814	2981	96.3	96.5	0.89	0.87	122	4.9	31	5766	0.4	2.1	18.5	4870	84
2000	AMI 500L2W	10815	2982	96.5	96.6	0.89	0.87	135	5.1	35	6405	0.5	2.2	19.8	5060	84
2240	AMI 500L2W	10816	2982	96.6	96.8	0.89	0.88	150	5.3	38	7172	0.5	2.3	21.7	5340	84
2500	AMI 500L2W	10817	2983	96.8	97.0	0.90	0.88	166	5.7	43	8002	0.5	2.4	24.0	5660	84
2550	AMI 500L2W	10818	2988	97.0	97.1	0.90	0.88	169	5.7	42	8149	0.4	2.3	32.6	5860	84
2800	AMI 560L2W B	10819	2975	96.4	96.7	0.90	0.90	186	4.6	36	8987	0.4	2.3	36.1	7490	87
3250	AMI 560L2W B	10820	2978	96.7	96.9	0.90	0.90	215	4.9	43	10421	0.4	2.4	39.3	7900	87
3700	AMI 560L2W B	10821	2980	96.9	97.1	0.91	0.90	243	5.3	48	11856	0.4	2.5	42.6	8340	87
4100	AMI 560L2W B	10822	2980	97.0	97.2	0.91	0.91	267	5.5	50	13137	0.5	2.6	46.3	8760	87
4600	AMI 560L2W B	10823	2982	97.2	97.4	0.92	0.91	299	5.6	58	14731	0.5	2.7	49.5	9170	87
5000	AMI 560L2W B	10824	2987	97.4	97.6	0.91	0.91	325	5.2	58	15984	0.4	2.4	66.5	9480	87
5200	AMI 630L2W B	10825	2985	96.9	96.9	0.91	0.90	342	5.6	63	16637	0.5	2.7	85.9	10890	88
5800	AMI 630L2W B	10826	2985	97.0	97.1	0.91	0.91	379	5.7	66	18558	0.5	2.7	92.4	11440	88
6500	AMI 630L2W B	10827	2984	97.1	97.2	0.91	0.90	427	5.9	79	20802	0.5	2.8	103.4	12220	88
7100	AMI 630L2W B	10828	2989	97.3	97.4	0.92	0.92	459	5.8	76	22687	0.4	2.7	134.8	12630	88

Modular induction motors, type AMI

Technical data

IP24W, IC01, insulation class F, temperature rise class B
10000 V, 50 Hz

Output (kW)	Motor type	Product ID	Speed (r/min)	Efficiency		Power factor		Current			Torque			Rotor inertia (kgm ²)	Motor weight (kg)	Sound pressure level <i>L_p</i> (dB(A))
				Full load 100%	3/4 load 75%	Full load 100%	3/4 load 75%	<i>I_N</i> (A)	<i>I_s</i> <i>I_N</i> (pu)	<i>I₀</i> (A)	<i>T_N</i> (Nm)	<i>T_s</i> <i>T_N</i> (pu)	<i>T_{max}</i> <i>T_N</i> (pu)			
1500 r/min = 4 poles																
10000 V 50 Hz																
900	AMI 450L4W	10829	1487	95.4	95.4	0.84	0.80	65	6.0	25	5778	0.7	2.6	22.3	3740	80
1000	AMI 450L4W	10830	1486	95.3	95.5	0.85	0.82	71	5.4	25	6427	0.7	2.3	22.3	3740	80
1120	AMI 450L4W	10831	1485	95.3	95.6	0.86	0.83	79	4.9	26	7201	0.5	2.1	22.5	3740	80
1250	AMI 450L4W	10832	1485	95.4	95.8	0.87	0.85	87	4.8	26	8040	0.5	2.0	23.8	3870	80
1400	AMI 450L4W	10833	1484	95.5	95.9	0.87	0.86	97	4.7	27	9008	0.5	2.0	25.2	3990	80
1600	AMI 450L4W	10834	1485	95.8	96.1	0.87	0.85	110	5.1	33	10286	0.6	2.1	27.9	4250	80
1800	AMI 500L4W	10835	1488	95.7	96.0	0.90	0.89	120	5.3	28	11553	0.6	2.1	55.5	5300	81
2100	AMI 500L4W	10836	1490	96.0	96.2	0.89	0.88	142	5.4	35	13461	0.6	2.1	59.3	5470	81
2400	AMI 500L4W	10837	1492	96.3	96.5	0.89	0.88	162	5.6	41	15365	0.6	2.1	66.4	5800	81
2800	AMI 560L4W B	10838	1490	96.4	96.6	0.89	0.88	189	5.3	42	17947	0.6	2.3	99.9	7600	83
3150	AMI 560L4W B	10839	1491	96.6	96.8	0.89	0.88	212	5.6	50	20181	0.6	2.5	109.1	8000	83
3550	AMI 560L4W B	10840	1491	96.7	96.9	0.88	0.87	241	5.8	60	22737	0.6	2.5	117.8	8340	83
4000	AMI 560L4W B	10841	1491	96.8	97.0	0.88	0.87	270	5.7	63	25621	0.6	2.5	127.1	8740	83
4500	AMI 560L4W B	10842	1492	97.0	97.2	0.86	0.84	311	5.7	85	28794	0.6	2.5	137.9	9140	83
5000	AMI 630L4W B	10843	1491	96.8	97.0	0.89	0.88	337	5.3	72	32029	0.6	2.3	189.9	10990	84
5500	AMI 630L4W B	10844	1491	97.0	97.2	0.89	0.88	369	5.4	78	35225	0.6	2.4	204.6	11500	84
6000	AMI 630L4W B	10845	1491	97.1	97.3	0.89	0.89	400	5.5	81	38426	0.6	2.4	219.4	12020	84
6700	AMI 630L4W B	10846	1491	97.2	97.4	0.90	0.89	444	5.7	90	42898	0.7	2.5	241.5	12770	84

Modular induction motors, type AMI

Technical data

IP24W, IC01, insulation class F, temperature rise class B
10000 V, 50 Hz

Output (kW)	Motor type	Product ID	Speed (r/min)	Efficiency		Power factor		Current			Torque			Rotor inertia (kgm ²)	Motor weight (kg)	Sound pressure level <i>L_p</i> (dB(A))
				Full load 100%	3/4 load 75%	Full load 100%	3/4 load 75%	<i>I_N</i> (A)	<i>I_s</i> <i>I_N</i> (pu)	<i>I₀</i> (A)	<i>T_N</i> (Nm)	<i>T_s</i> <i>T_N</i> (pu)	<i>T_{max}</i> <i>T_N</i> (pu)			
1000 r/min = 6 poles																
10000 V 50 Hz																
630	AMI 450L6W	10847	989	95.0	95.2	0.84	0.80	46	5.3	17	6081	0.8	2.1	28.1	3800	78
710	AMI 450L6W	10848	988	94.9	95.2	0.85	0.82	51	4.8	17	6864	0.7	2.0	28.1	3800	78
800	AMI 450L6W	10849	989	95.1	95.4	0.84	0.80	58	5.0	21	7725	0.7	2.1	28.3	3810	78
900	AMI 450L6W	10850	988	95.1	95.5	0.85	0.82	64	4.7	22	8696	0.6	1.9	30.1	3940	78
1000	AMI 450L6W	10851	988	95.2	95.6	0.85	0.83	71	4.6	23	9667	0.6	1.9	31.8	4060	78
1100	AMI 450L6W	10852	991	95.5	95.8	0.83	0.79	80	4.8	30	10605	0.6	1.9	32.4	4080	78
1250	AMI 500L6W	10853	991	95.4	95.8	0.88	0.86	86	5.5	26	12045	0.7	2.1	60.1	4960	79
1400	AMI 500L6W	10854	991	95.5	95.9	0.87	0.85	97	5.5	30	13488	0.7	2.2	63.6	5110	79
1600	AMI 500L6W	10855	993	95.8	96.1	0.86	0.83	113	5.6	39	15383	0.7	2.2	69.1	5290	79
1750	AMI 500L6W	10856	994	96.0	96.2	0.84	0.81	125	5.6	47	16820	0.7	2.2	72.6	5450	79
2000	AMI 560L6W B	10857	992	96.1	96.4	0.88	0.87	136	5.4	35	19250	0.7	2.3	119.9	7100	80
2240	AMI 560L6W B	10858	992	96.1	96.4	0.88	0.87	153	5.6	40	21558	0.8	2.3	136.3	7580	80
2500	AMI 560L6W B	10859	993	96.3	96.6	0.87	0.85	173	5.8	52	24044	0.8	2.5	147.5	7950	80
2800	AMI 560L6W B	10860	993	96.5	96.8	0.87	0.86	192	5.7	54	26915	0.7	2.3	160.8	8340	80
3200	AMI 560L6W B	10861	995	96.7	96.9	0.86	0.85	222	5.6	64	30723	0.7	2.2	177.8	8760	80
3550	AMI 630L6W B	10862	993	96.7	97.0	0.87	0.86	242	5.7	64	34133	0.7	2.4	228.6	10500	81
4000	AMI 630L6W B	10863	993	96.8	97.1	0.88	0.87	271	5.6	67	38466	0.7	2.4	247.4	10970	81
4500	AMI 630L6W B	10864	993	96.9	97.2	0.88	0.87	304	5.6	74	43275	0.7	2.4	266.2	11450	81
5000	AMI 630L6W B	10865	994	97.0	97.3	0.87	0.86	341	5.7	91	48040	0.7	2.4	285.7	11940	81
5600	AMI 630L6W B	10866	994	97.1	97.4	0.87	0.86	381	5.6	102	53782	0.7	2.4	316.0	12660	81
750 r/min = 8 poles																
10000 V 50 Hz																
710	AMI 500L8W	10867	742	94.6	94.8	0.84	0.81	51	5.3	19	9134	0.7	2.1	69.4	4910	77
800	AMI 500L8W	10868	741	94.5	94.9	0.86	0.83	57	5.2	19	10307	0.8	2.1	69.8	4910	77
900	AMI 500L8W	10869	742	94.8	95.1	0.86	0.83	64	5.3	21	11583	0.7	2.0	74.6	5070	77
1000	AMI 500L8W	10870	742	94.9	95.2	0.86	0.83	71	5.3	24	12870	0.7	2.1	79.0	5220	77
1120	AMI 500L8W	10871	743	95.1	95.5	0.87	0.85	78	5.1	24	14403	0.7	1.9	88.4	5510	77
1250	AMI 500L8W	10872	744	95.4	95.7	0.85	0.83	89	5.3	29	16042	0.7	1.9	94.0	5680	77
1400	AMI 560L8W B	10873	744	95.8	96.1	0.85	0.84	99	4.8	30	17971	0.6	1.9	134.0	7070	76
1600	AMI 560L8W B	10874	744	95.9	96.2	0.85	0.83	113	4.9	35	20538	0.6	2.0	141.1	7260	76
1850	AMI 560L8W B	10875	744	96.0	96.3	0.84	0.82	132	4.9	43	23745	0.6	2.0	148.2	7450	76
2100	AMI 560L8W B	10876	745	96.2	96.5	0.84	0.81	151	5.0	49	26929	0.7	2.0	163.1	7840	76
2360	AMI 560L8W B	10877	744	96.3	96.6	0.84	0.83	167	5.0	53	30279	0.7	2.0	183.3	8390	76
2500	AMI 560L8W B	10878	745	96.4	96.5	0.83	0.80	179	5.7	65	32039	0.8	2.3	204.5	8890	76
2800	AMI 630L8W B	10879	744	96.3	96.6	0.85	0.83	198	5.5	61	35920	0.8	2.2	301.9	10840	77
3150	AMI 630L8W B	10880	744	96.4	96.7	0.85	0.84	221	5.3	64	40421	0.7	2.1	325.9	11340	77
3500	AMI 630L8W B	10881	745	96.7	96.9	0.85	0.84	245	5.2	73	44838	0.6	2.1	355.5	11850	77
4150	AMI 630L8W B	10882	746	96.9	97.0	0.85	0.83	292	5.5	92	53139	0.7	2.2	416.0	13050	77

Modular induction motors, type AMI

Technical data

IP24W, IC01, insulation class F, temperature rise class B
10000 V, 50 Hz

Output (kW)	Motor type	Product ID	Speed (r/min)	Efficiency		Power factor		Current			Torque			Rotor inertia (kgm ²)	Motor weight (kg)	Sound pressure level <i>L_p</i> (dB(A))
				Full load 100%	3/4 load 75%	Full load 100%	3/4 load 75%	<i>I_N</i> (A)	<i>I_s</i> <i>I_N</i> (pu)	<i>I₀</i> (A)	<i>T_N</i> (Nm)	<i>T_s</i> <i>T_N</i> (pu)	<i>T_{max}</i> <i>T_N</i> (pu)			
600 r/min = 10 poles																
10000 V 50 Hz																
560	AMI 500L10W	10883	594	94.0	94.5	0.84	0.80	41	4.9	16	9006	0.7	1.9	67.3	4760	77
630	AMI 500L10W	10884	593	94.0	94.4	0.83	0.78	47	5.0	19	10143	0.7	2.0	66.7	4760	77
710	AMI 500L10W	10885	593	94.1	94.6	0.83	0.79	52	4.9	21	11436	0.7	2.0	71.1	4910	77
800	AMI 500L10W	10886	594	94.5	95.0	0.83	0.81	59	4.5	21	12853	0.7	1.7	81.7	5220	77
850	AMI 500L10W	10887	594	94.6	95.1	0.84	0.80	62	4.9	23	13665	0.7	1.9	85.5	5350	77
900	AMI 560L10W B	10888	592	94.7	95.3	0.86	0.85	63	4.6	18	14526	0.7	2.0	147.9	6990	75
1000	AMI 560L10W B	10889	592	94.9	95.4	0.86	0.84	71	5.0	23	16123	0.8	2.1	147.9	7000	75
1120	AMI 560L10W B	10890	594	95.3	95.7	0.84	0.81	81	5.5	30	18003	0.9	2.4	149.0	7020	75
1300	AMI 560L10W B	10891	594	95.5	95.8	0.85	0.82	93	5.4	33	20893	0.8	2.3	165.5	7390	75
1500	AMI 560L10W B	10892	594	95.6	96.0	0.85	0.82	107	5.4	37	24108	0.8	2.3	181.6	7760	75
1750	AMI 560L10W B	10893	596	95.9	96.3	0.84	0.82	125	5.2	42	28056	0.8	2.0	208.6	8350	75
1950	AMI 560L10W B	10894	596	96.1	96.3	0.82	0.78	143	5.6	57	31234	0.8	2.2	224.3	8710	75
2000	AMI 630L10W B	10895	594	96.0	96.3	0.87	0.84	139	5.5	43	32163	0.9	2.3	335.2	10620	75
2240	AMI 630L10W B	10896	594	96.1	96.4	0.85	0.82	159	5.5	56	35982	0.8	2.3	361.0	11080	75
2500	AMI 630L10W B	10897	596	96.3	96.6	0.84	0.82	178	5.5	61	40064	0.8	2.1	393.6	11510	75
2800	AMI 630L10W B	10898	597	96.5	96.7	0.83	0.80	201	5.6	73	44800	0.7	2.2	432.6	12050	75
3000	AMI 630L10W B	10899	597	96.6	96.8	0.83	0.80	216	5.6	79	47987	0.7	2.1	475.6	12750	75
500 r/min = 12 poles																
10000 V 50 Hz																
400	AMI 500L12W	10900	494	93.2	93.6	0.77	0.73	32	3.8	15	7739	0.5	1.7	57.4	4760	77
450	AMI 500L12W	10901	493	93.2	93.6	0.77	0.72	36	3.8	17	8708	0.5	1.7	57.4	4760	77
500	AMI 500L12W	10902	494	93.4	93.6	0.77	0.71	40	4.6	20	9660	0.7	2.0	71.3	4900	77
560	AMI 500L12W	10903	494	93.5	93.8	0.78	0.72	45	4.5	22	10824	0.7	1.9	75.8	5040	77
630	AMI 500L12W	10904	495	93.8	94.2	0.79	0.74	49	4.2	22	12163	0.6	1.8	85.7	5350	77
710	AMI 560L12W B	10905	493	94.2	94.9	0.83	0.81	52	4.2	19	13751	0.6	2.0	147.9	6960	74
800	AMI 560L12W B	10906	493	94.4	95.0	0.82	0.79	59	4.5	23	15482	0.7	2.1	147.9	6970	74
900	AMI 560L12W B	10907	494	94.6	95.2	0.82	0.78	67	4.6	27	17412	0.7	2.1	156.0	7160	74
1000	AMI 560L12W B	10908	494	94.8	95.3	0.81	0.77	75	4.8	32	19333	0.7	2.2	164.0	7340	74
1150	AMI 560L12W B	10909	494	94.9	95.5	0.83	0.79	85	4.6	33	22245	0.7	2.1	188.1	7890	74
1320	AMI 560L12W B	10910	495	95.4	95.8	0.82	0.77	98	4.7	40	25460	0.6	2.2	214.9	8460	74
1600	AMI 630L12W B	10911	494	95.5	96.0	0.84	0.81	115	5.1	41	30928	0.8	2.2	320.0	10310	74
1800	AMI 630L12W B	10912	494	95.7	96.1	0.84	0.81	129	5.4	48	34768	0.9	2.4	362.6	11000	74
2000	AMI 630L12W B	10913	496	95.9	96.2	0.82	0.79	146	5.5	57	38540	0.8	2.3	420.1	11870	74
2300	AMI 630L12W B	10914	497	96.2	96.5	0.82	0.78	168	5.7	69	44216	0.8	2.3	468.0	12600	74

Modular induction motors, type AMI

Technical data

IP55, IC81W, insulation class F, temperature rise class B
3000 V, 50 Hz

Output (kW)	Motor type	Product ID	Speed (r/min)	Efficiency		Power factor		Current			Torque			Rotor inertia (kgm ²)	Motor weight (kg)	Sound pressure level L _p (dB(A))
				Full load 100%	3/4 load 75%	Full load 100%	3/4 load 75%	I _N (A)	I _S I _N (pu)	I ₀ (A)	T _N (Nm)	T _S T _N (pu)	T _{max} T _N (pu)			
3000 r/min = 2 poles																
3000 V 50 Hz																
710	AMI 400L2L	10500	2972	95.7	95.9	0.86	0.84	166	5.0	44	2281	0.6	2.1	6.2	2880	82
800	AMI 400L2L	10501	2968	95.6	95.9	0.86	0.85	187	4.4	44	2574	0.5	1.9	6.2	2880	82
900	AMI 400L2L	10502	2964	95.4	95.9	0.86	0.86	210	3.9	44	2900	0.4	1.7	6.2	2880	82
1000	AMI 400L2L	10503	2964	95.5	96.1	0.87	0.87	231	4.0	44	3222	0.5	1.7	6.7	2990	82
1120	AMI 400L2L	10504	2967	95.8	96.3	0.87	0.87	259	4.2	54	3604	0.4	1.8	6.8	3060	82
1250	AMI 400L2L	10505	2968	96.0	96.5	0.88	0.89	284	4.2	52	4022	0.5	1.8	7.5	3230	82
1370	AMI 400L2L	10506	2970	96.2	96.7	0.89	0.89	309	4.5	57	4405	0.5	1.9	8.1	3370	82
1400	AMI 400L2L	10507	2977	96.4	96.8	0.89	0.89	315	4.6	55	4491	0.5	1.8	11.0	3490	82
1400	AMI 450L2L	10508	2974	96.3	96.6	0.88	0.87	318	4.3	70	4496	0.4	1.9	11.6	4050	83
1600	AMI 450L2L	10509	2963	96.0	96.5	0.87	0.88	367	3.7	68	5156	0.4	1.6	11.9	4060	83
1800	AMI 450L2L	10510	2972	96.4	96.8	0.87	0.87	412	4.2	90	5783	0.4	1.8	12.3	4180	83
2100	AMI 450L2L	10511	2974	96.6	97.0	0.88	0.87	475	4.5	105	6742	0.4	1.9	13.7	4470	83
2200	AMI 450L2L	10512	2983	96.9	97.2	0.89	0.89	490	4.7	104	7043	0.4	2.0	18.4	4630	83
2240	AMI 500L2L	10513	2966	96.1	96.6	0.89	0.88	507	4.0	104	7212	0.4	1.7	19.6	5250	84
2650	AMI 500L2L	10514	2972	96.6	96.9	0.90	0.90	590	4.1	112	8513	0.4	1.8	21.5	5380	84
3100	AMI 500L2L	10515	2977	96.9	97.3	0.90	0.90	681	4.6	128	9943	0.4	1.9	25.0	5960	84
3150	AMI 500L2L	10516	2984	97.1	97.4	0.90	0.90	691	4.7	126	10082	0.4	1.9	33.7	6160	84
3550	AMI 560L2L B	10517	2980	97.0	97.2	0.90	0.90	781	5.1	156	11377	0.4	2.4	38.9	8130	87
4000	AMI 560L2L B	10518	2978	97.0	97.3	0.91	0.91	875	4.7	150	12828	0.4	2.3	40.7	8380	87
4500	AMI 560L2L B	10519	2979	97.1	97.4	0.91	0.91	982	5.0	177	14426	0.4	2.4	44.4	8780	87
4900	AMI 560L2L B	10520	2980	97.2	97.5	0.92	0.92	1058	5.1	174	15702	0.5	2.4	47.6	9190	87
5400	AMI 560L2L B	10521	2981	97.3	97.5	0.91	0.91	1169	5.5	218	17296	0.5	2.6	51.3	9590	87
5800	AMI 560L2L B	10522	2987	97.5	97.7	0.92	0.92	1248	5.3	214	18542	0.4	2.4	69.0	9910	87
6200	AMI 630L2L B	10523	2981	97.0	97.2	0.91	0.91	1348	5.0	206	19863	0.4	2.4	91.0	11490	88
6900	AMI 630L2L B	10524	2982	97.3	97.4	0.92	0.91	1490	5.6	238	22095	0.5	2.7	93.5	11900	88
7500	AMI 630L2L B	10525	2983	97.3	97.4	0.91	0.91	1632	5.7	279	24009	0.5	2.7	107.8	12820	88
8000	AMI 630L2L B	10526	2987	97.4	97.5	0.92	0.92	1720	5.6	268	25573	0.4	2.6	138.9	13220	88

Modular induction motors, type AMI

Technical data

IP55, IC81W, insulation class F, temperature rise class B
3000 V, 50 Hz

Output (kW)	Motor type	Product ID	Speed (r/min)	Efficiency		Power factor		Current			Torque			Rotor inertia (kgm ²)	Motor weight (kg)	Sound pressure level <i>L_p</i> (dB(A))
				Full load 100%	3/4 load 75%	Full load 100%	3/4 load 75%	<i>I_N</i> (A)	<i>I_s</i> <i>I_N</i> (pu)	<i>I₀</i> (A)	<i>T_N</i> (Nm)	<i>T_s</i> <i>T_N</i> (pu)	<i>T_{max}</i> <i>T_N</i> (pu)			
1500 r/min = 4 poles																
3000 V 50 Hz																
710	AMI 400L4L	10527	1484	95.3	95.6	0.85	0.82	169	4.8	57	4568	0.6	2.0	13.1	2770	79
800	AMI 400L4L	10528	1483	95.3	95.7	0.86	0.84	188	4.5	55	5150	0.6	1.9	14.1	2850	79
900	AMI 400L4L	10529	1484	95.5	95.9	0.86	0.85	210	4.8	62	5792	0.6	1.9	15.1	2940	79
1000	AMI 400L4L	10530	1484	95.6	96.0	0.87	0.85	232	4.9	66	6435	0.7	2.0	16.1	3040	79
1120	AMI 400L4L	10531	1484	95.8	96.2	0.87	0.85	260	5.0	75	7206	0.7	2.0	17.1	3150	79
1300	AMI 400L4L	10532	1483	95.9	96.3	0.88	0.87	296	4.8	73	8369	0.7	1.9	19.2	3350	79
1400	AMI 450L4L	10533	1485	95.8	96.2	0.88	0.88	321	4.3	71	9002	0.5	1.7	27.9	3870	80
1500	AMI 450L4L	10534	1487	96.0	96.4	0.88	0.87	343	4.7	84	9636	0.6	1.8	29.7	4000	80
1700	AMI 450L4L	10535	1487	96.2	96.5	0.87	0.86	392	5.0	106	10914	0.6	2.0	31.5	4130	80
1900	AMI 450L4L	10536	1488	96.3	96.6	0.87	0.86	435	5.4	118	12192	0.7	2.1	35.0	4360	80
2100	AMI 450L4L	10537	1488	96.4	96.7	0.87	0.86	481	5.4	131	13475	0.7	2.1	36.8	4490	80
2200	AMI 500L4L	10538	1487	96.1	96.5	0.88	0.88	499	4.4	106	14124	0.5	1.7	50.6	5140	81
2360	AMI 500L4L	10539	1488	96.2	96.6	0.89	0.88	533	4.6	115	15145	0.5	1.7	53.7	5300	81
2650	AMI 500L4L	10540	1488	96.3	96.7	0.88	0.88	599	4.7	131	17005	0.6	1.8	56.7	5460	81
2900	AMI 500L4L	10541	1489	96.5	96.9	0.89	0.89	646	4.9	135	18595	0.6	1.8	63.4	5790	81
3250	AMI 500L4L	10542	1490	96.7	97.0	0.90	0.90	719	5.0	145	20836	0.6	1.9	69.5	6130	81
3550	AMI 560L4L B	10543	1489	96.5	96.9	0.87	0.87	811	4.4	163	22773	0.5	1.9	96.3	7580	83
4100	AMI 560L4L B	10544	1489	96.7	97.1	0.89	0.90	917	4.5	154	26300	0.5	1.9	110.4	8150	83
4750	AMI 560L4L B	10545	1489	96.9	97.3	0.90	0.90	1054	4.8	176	30457	0.6	2.0	124.5	8760	83
5500	AMI 560L4L B	10546	1491	97.2	97.4	0.89	0.88	1227	5.7	265	35229	0.6	2.5	134.5	9180	83
6300	AMI 630L4L B	10547	1491	97.2	97.5	0.89	0.89	1405	4.9	255	40349	0.5	2.1	207.7	11860	84
7100	AMI 630L4L B	10548	1492	97.4	97.6	0.89	0.87	1584	5.8	366	45429	0.6	2.6	230.5	12620	84
8000	AMI 630L4L B	10549	1491	97.4	97.6	0.89	0.89	1771	5.3	351	51221	0.5	2.3	237.9	12850	84

Modular induction motors, type AMI

Technical data

IP55, IC81W, insulation class F, temperature rise class B
3000 V, 50 Hz

Output (kW)	Motor type	Product ID	Speed (r/min)	Efficiency		Power factor		Current			Torque			Rotor inertia (kgm ²)	Motor weight (kg)	Sound pressure level <i>L_p</i> (dB(A))
				Full load 100%	3/4 load 75%	Full load 100%	3/4 load 75%	<i>I_N</i> (A)	<i>I_s</i> <i>I_N</i> (pu)	<i>I₀</i> (A)	<i>T_N</i> (Nm)	<i>T_s</i> <i>T_N</i> (pu)	<i>T_{max}</i> <i>T_N</i> (pu)			
1000 r/min = 6 poles																
3000 V 50 Hz																
500	AMI 400L6L	10550	987	94.9	95.3	0.85	0.82	120	4.6	40	4839	0.7	1.8	15.5	2780	77
560	AMI 400L6L	10551	988	95.2	95.4	0.84	0.81	135	4.9	49	5414	0.8	2.0	16.7	2880	77
630	AMI 400L6L	10552	988	95.1	95.3	0.81	0.77	158	5.0	65	6089	0.8	2.0	16.7	2860	77
710	AMI 400L6L	10553	988	95.1	95.5	0.82	0.78	175	4.9	68	6865	0.8	2.0	18.0	2960	77
800	AMI 400L6L	10554	988	95.2	95.6	0.82	0.79	197	4.9	74	7736	0.8	2.0	19.2	3060	77
900	AMI 400L6L	10555	988	95.3	95.7	0.82	0.78	222	4.9	86	8702	0.9	2.0	20.4	3150	77
980	AMI 400L6L	10556	988	95.5	95.8	0.83	0.80	237	5.0	85	9472	0.9	2.0	22.8	3340	77
1000	AMI 450L6L	10557	989	95.6	96.1	0.85	0.83	237	4.7	72	9656	0.6	1.9	33.2	3760	78
1120	AMI 450L6L	10558	989	95.7	96.2	0.85	0.83	265	4.7	81	10813	0.6	1.9	35.5	3890	78
1250	AMI 450L6L	10559	990	95.9	96.3	0.85	0.83	294	5.1	92	12059	0.7	2.0	40.0	4120	78
1400	AMI 450L6L	10560	990	96.0	96.4	0.85	0.83	330	5.1	102	13507	0.7	2.0	42.2	4240	78
1600	AMI 450L6L	10561	990	96.2	96.5	0.85	0.83	377	5.3	121	15431	0.8	2.1	46.7	4500	78
1800	AMI 500L6L	10562	991	96.2	96.6	0.88	0.87	410	4.9	104	17353	0.7	1.9	65.5	5290	79
2000	AMI 500L6L	10563	991	96.3	96.7	0.87	0.85	462	5.3	135	19267	0.8	2.0	69.1	5450	79
2240	AMI 500L6L	10564	991	96.3	96.8	0.88	0.87	508	5.0	128	21576	0.7	1.9	77.2	5730	79
2500	AMI 500L6L	10565	992	96.5	96.9	0.87	0.86	570	5.5	162	24060	0.8	2.1	84.6	6030	79
2700	AMI 500L6L	10566	992	96.6	96.9	0.87	0.85	618	5.7	180	25997	0.9	2.2	87.6	6200	79
3150	AMI 560L6L B	10567	992	96.6	97.0	0.88	0.87	716	5.0	164	30314	0.6	2.0	141.2	7840	80
3550	AMI 560L6L B	10568	992	96.8	97.2	0.88	0.87	804	5.4	190	34159	0.8	2.2	158.4	8430	80
4000	AMI 560L6L B	10569	992	96.9	97.2	0.88	0.87	905	5.3	210	38491	0.8	2.2	170.7	8820	80
4400	AMI 560L6L B	10570	993	97.0	97.3	0.88	0.88	988	5.4	219	42333	0.8	2.2	189.2	9400	80
5000	AMI 630L6L B	10571	993	97.1	97.4	0.87	0.86	1144	5.2	287	48077	0.7	2.2	258.6	11480	81
5600	AMI 630L6L B	10572	993	97.1	97.4	0.88	0.88	1260	5.1	275	53849	0.7	2.1	296.4	12400	81
6500	AMI 630L6L B	10573	993	97.2	97.5	0.88	0.88	1456	5.1	303	62503	0.7	2.1	334.2	13360	81

Modular induction motors, type AMI

Technical data

IP55, IC81W, insulation class F, temperature rise class B
3000 V, 50 Hz

Output (kW)	Motor type	Product ID	Speed (r/min)	Efficiency		Power factor		Current			Torque			Rotor inertia (kgm ²)	Motor weight (kg)	Sound pressure level <i>L_p</i> (dB(A))
				Full load 100%	3/4 load 75%	Full load 100%	3/4 load 75%	<i>I_N</i> (A)	<i>I_S</i> <i>I_N</i> (pu)	<i>I₀</i> (A)	<i>T_N</i> (Nm)	<i>T_S</i> <i>T_N</i> (pu)	<i>T_{max}</i> <i>T_N</i> (pu)			
750 r/min = 8 poles																
3000 V 50 Hz																
315	AMI 400L8L	10574	742	94.9	95.0	0.80	0.76	79	5.1	35	4054	0.8	2.1	17.8	2750	75
355	AMI 400L8L	10575	741	94.7	95.1	0.82	0.78	88	4.6	35	4576	0.7	1.8	17.8	2750	75
400	AMI 400L8L	10576	740	94.5	94.9	0.81	0.77	101	4.5	41	5159	0.7	1.8	17.8	2750	75
450	AMI 400L8L	10577	740	94.8	95.2	0.82	0.78	112	4.5	44	5803	0.7	1.8	19.2	2850	75
500	AMI 400L8L	10578	740	94.9	95.3	0.82	0.79	123	4.5	46	6450	0.7	1.7	20.7	2940	75
560	AMI 400L8L	10579	740	94.9	95.4	0.82	0.79	138	4.4	51	7224	0.7	1.7	22.1	3040	75
630	AMI 400L8L	10580	740	95.1	95.5	0.82	0.79	155	4.5	58	8126	0.7	1.7	23.6	3140	75
680	AMI 400L8L	10581	741	95.2	95.7	0.83	0.80	166	4.6	59	8768	0.7	1.7	26.5	3320	75
710	AMI 450L8L	10582	742	95.5	95.8	0.81	0.77	176	5.1	74	9136	0.8	2.1	38.1	3740	76
800	AMI 450L8L	10583	742	95.6	95.8	0.81	0.76	199	5.2	86	10291	0.8	2.1	40.8	3860	76
900	AMI 450L8L	10584	742	95.6	95.9	0.82	0.78	220	5.3	88	11577	0.8	2.1	46.1	4070	76
1000	AMI 450L8L	10585	742	95.7	96.0	0.83	0.79	242	5.1	94	12868	0.8	2.0	48.8	4200	76
1150	AMI 450L8L	10586	742	95.8	96.1	0.82	0.78	281	5.3	113	14790	0.8	2.1	54.2	4440	76
1250	AMI 500L8L	10587	741	95.5	95.9	0.84	0.82	300	4.6	98	16107	0.7	1.8	71.1	5070	77
1400	AMI 500L8L	10588	742	95.7	96.0	0.84	0.81	335	4.9	113	18025	0.7	1.9	79.9	5380	77
1600	AMI 500L8L	10589	742	95.9	96.2	0.84	0.82	381	5.2	129	20585	0.8	2.0	93.2	5830	77
1800	AMI 500L8L	10590	743	96.1	96.4	0.84	0.82	429	5.1	142	23119	0.8	1.9	103.3	6150	77
2000	AMI 560L8L B	10591	742	96.2	96.6	0.85	0.84	471	4.5	130	25750	0.6	1.9	147.2	7630	76
2240	AMI 560L8L B	10592	742	96.2	96.7	0.85	0.85	524	4.4	136	28845	0.6	1.9	161.2	8010	76
2500	AMI 560L8L B	10593	742	96.3	96.7	0.86	0.85	582	4.5	153	32185	0.6	1.9	175.0	8400	76
2800	AMI 560L8L B	10594	743	96.4	96.8	0.85	0.84	660	4.6	181	35998	0.7	1.8	189.1	8710	76
3150	AMI 560L8L B	10595	744	96.6	96.9	0.84	0.83	745	4.8	212	40442	0.7	1.8	211.1	9310	76
3400	AMI 560L8L B	10596	745	96.8	97.0	0.83	0.81	812	5.1	258	43600	0.7	2.0	220.1	9520	76
3550	AMI 630L8L B	10597	744	96.7	97.1	0.84	0.83	845	4.5	222	45541	0.6	1.7	294.9	10910	77
4000	AMI 630L8L B	10598	745	96.9	97.2	0.84	0.84	946	4.6	245	51297	0.6	1.8	331.5	11650	77
4500	AMI 630L8L B	10599	745	96.9	97.2	0.85	0.84	1052	4.9	275	57719	0.6	1.9	378.6	12600	77
4800	AMI 630L8L B	10600	745	97.0	97.3	0.86	0.86	1113	4.7	264	61529	0.6	1.8	429.1	13590	77

Modular induction motors, type AMI

Technical data

IP55, IC81W, insulation class F, temperature rise class B
3000 V, 50 Hz

Output (kW)	Motor type	Product ID	Speed (r/min)	Efficiency		Power factor		Current			Torque			Rotor inertia (kgm ²)	Motor weight (kg)	Sound pressure level <i>L_p</i> (dB(A))
				Full load 100%	3/4 load 75%	Full load 100%	3/4 load 75%	<i>I_N</i> (A)	<i>I_s</i> <i>I_N</i> (pu)	<i>I₀</i> (A)	<i>T_N</i> (Nm)	<i>T_s</i> <i>T_N</i> (pu)	<i>T_{max}</i> <i>T_N</i> (pu)			
600 r/min = 10 poles																
3000 V 50 Hz																
250	AMI 400L10L	10601	590	93.5	93.9	0.76	0.72	67	4.0	31	4043	0.7	1.7	17.5	2750	75
280	AMI 400L10L	10602	590	93.7	94.0	0.77	0.72	75	4.0	33	4529	0.7	1.7	18.9	2850	75
315	AMI 400L10L	10603	591	93.8	94.2	0.77	0.72	84	4.0	38	5093	0.7	1.7	20.4	2940	75
355	AMI 400L10L	10604	590	94.0	94.4	0.78	0.74	93	3.9	39	5742	0.6	1.7	23.2	3130	75
400	AMI 400L10L	10605	591	94.2	94.4	0.76	0.71	107	4.3	50	6460	0.7	1.8	24.6	3230	75
450	AMI 400L10L	10606	591	94.1	94.4	0.77	0.72	120	4.2	54	7272	0.7	1.7	26.1	3310	75
500	AMI 450L10L	10607	591	94.7	95.2	0.82	0.79	123	4.3	45	8073	0.7	1.7	40.5	3830	76
560	AMI 450L10L	10608	592	94.8	95.3	0.82	0.79	138	4.4	52	9038	0.8	1.8	43.2	3950	76
630	AMI 450L10L	10609	592	95.0	95.4	0.81	0.77	157	4.7	64	10159	0.8	1.9	45.9	4080	76
710	AMI 450L10L	10610	591	94.7	95.2	0.82	0.79	176	4.3	65	11463	0.8	1.7	48.6	4160	76
780	AMI 450L10L	10611	591	95.0	95.5	0.83	0.80	191	4.2	65	12599	0.7	1.7	54.0	4440	76
900	AMI 500L10L	10612	593	95.3	95.8	0.83	0.80	219	4.5	78	14496	0.7	1.8	72.3	5050	77
1000	AMI 500L10L	10613	593	95.5	95.9	0.84	0.81	241	4.5	82	16106	0.7	1.8	81.3	5350	77
1120	AMI 500L10L	10614	593	95.7	96.1	0.84	0.81	269	4.7	93	18030	0.7	1.8	90.3	5670	77
1200	AMI 500L10L	10615	593	95.7	96.1	0.84	0.81	289	4.8	102	19313	0.7	1.9	94.8	5810	77
1350	AMI 500L10L	10616	593	95.8	96.2	0.83	0.80	325	4.9	116	21722	0.8	1.9	103.8	6130	77
1600	AMI 560L10L B	10617	592	95.8	96.3	0.85	0.84	377	4.5	113	25787	0.7	2.0	157.4	7370	75
1800	AMI 560L10L B	10618	593	96.0	96.5	0.86	0.84	422	4.7	124	28991	0.7	2.0	181.6	7950	75
2000	AMI 560L10L B	10619	593	96.0	96.5	0.86	0.85	467	4.6	131	32221	0.7	1.9	197.7	8330	75
2240	AMI 560L10L B	10620	593	96.2	96.7	0.85	0.84	524	4.6	147	36044	0.6	1.9	215.7	8740	75
2600	AMI 560L10L B	10621	595	96.6	96.9	0.84	0.82	616	5.3	207	41728	0.8	2.1	248.3	9510	75
2800	AMI 630L10L B	10622	594	96.5	96.9	0.86	0.84	651	5.1	187	44989	0.8	2.0	366.9	11350	75
3150	AMI 630L10L B	10623	594	96.6	97.0	0.86	0.85	729	5.1	203	50609	0.8	2.0	409.9	12080	75
3400	AMI 630L10L B	10624	595	96.8	97.1	0.86	0.85	787	5.1	216	54532	0.8	1.9	443.6	12580	75
3700	AMI 630L10L B	10625	596	96.9	97.1	0.86	0.84	855	5.5	249	59303	0.8	2.1	501.6	13470	75

Modular induction motors, type AMI

Technical data

IP55, IC81W, insulation class F, temperature rise class B
3000 V, 50 Hz

Output (kW)	Motor type	Product ID	Speed (r/min)	Efficiency		Power factor		Current			Torque			Rotor inertia (kgm ²)	Motor weight (kg)	Sound pressure level <i>L_p</i> (dB(A))
				Full load 100%	3/4 load 75%	Full load 100%	3/4 load 75%	<i>I_N</i> (A)	<i>I_s</i> <i>I_N</i> (pu)	<i>I₀</i> (A)	<i>T_N</i> (Nm)	<i>T_s</i> <i>T_N</i> (pu)	<i>T_{max}</i> <i>T_N</i> (pu)			
500 r/min = 12 poles																
3000 V 50 Hz																
160	AMI 400L12L	10626	493	92.3	92.0	0.69	0.62	48	4.0	28	3101	0.9	1.9	17.5	2750	75
200	AMI 400L12L	10627	492	92.6	92.5	0.71	0.65	59	3.8	32	3879	0.8	1.8	19.0	2850	75
224	AMI 400L12L	10628	492	92.8	92.7	0.71	0.65	66	3.9	36	4343	0.8	1.8	20.4	2940	75
250	AMI 400L12L	10629	493	92.8	92.8	0.71	0.65	73	3.8	39	4842	0.7	1.7	22.2	3020	75
280	AMI 400L12L	10630	493	93.1	92.9	0.70	0.63	83	4.1	47	5422	0.8	1.9	24.7	3230	75
315	AMI 400L12L	10631	493	93.1	92.9	0.70	0.64	93	4.0	51	6103	0.8	1.8	26.2	3300	75
355	AMI 450L12L	10632	493	94.2	94.5	0.75	0.70	96	4.1	46	6878	0.7	1.8	37.7	3710	76
400	AMI 450L12L	10633	493	94.2	94.5	0.76	0.71	108	4.0	51	7752	0.7	1.7	40.4	3820	76
450	AMI 450L12L	10634	493	94.3	94.6	0.76	0.71	121	4.0	57	8720	0.7	1.7	43.0	3940	76
500	AMI 450L12L	10635	493	94.4	94.8	0.77	0.72	133	4.0	60	9691	0.7	1.7	48.4	4180	76
560	AMI 450L12L	10636	493	94.6	94.9	0.77	0.72	148	4.0	66	10851	0.7	1.7	53.8	4420	76
630	AMI 500L12L	10637	493	94.7	95.1	0.77	0.73	165	4.0	74	12198	0.6	1.7	67.3	4890	77
710	AMI 500L12L	10638	493	94.8	95.3	0.79	0.75	183	3.9	76	13752	0.6	1.7	76.2	5200	77
800	AMI 500L12L	10639	494	95.1	95.5	0.78	0.74	207	4.1	91	15479	0.6	1.8	85.2	5520	77
900	AMI 500L12L	10640	493	95.2	95.6	0.79	0.75	231	4.0	96	17421	0.6	1.7	94.2	5820	77
970	AMI 500L12L	10641	493	95.1	95.5	0.80	0.76	246	4.1	98	18794	0.6	1.7	102.5	6120	77
1120	AMI 560L12L B	10642	493	95.6	96.1	0.81	0.77	278	4.3	111	21682	0.6	2.0	149.2	7170	74
1250	AMI 560L12L B	10643	493	95.7	96.2	0.81	0.77	311	4.4	125	24196	0.6	2.0	157.2	7350	74
1400	AMI 560L12L B	10644	493	95.7	96.2	0.82	0.78	345	4.2	130	27108	0.6	1.9	173.4	7730	74
1600	AMI 560L12L B	10645	493	95.8	96.3	0.82	0.79	391	4.3	145	30971	0.6	1.9	197.7	8290	74
1800	AMI 560L12L B	10646	494	96.0	96.5	0.81	0.77	445	4.7	181	34794	0.7	2.1	222.0	8860	74
2000	AMI 560L12L B	10647	495	96.2	96.6	0.81	0.78	492	4.5	192	38614	0.7	2.0	247.7	9440	74
2240	AMI 630L12L B	10648	495	96.3	96.8	0.84	0.81	532	5.0	182	43247	0.8	2.2	366.6	11280	74
2500	AMI 630L12L B	10649	496	96.6	96.9	0.83	0.79	601	5.4	229	48171	0.8	2.4	412.9	12000	74
2800	AMI 630L12L B	10650	495	96.6	96.9	0.83	0.80	669	5.4	250	53993	0.8	2.4	452.6	12710	74
3000	AMI 630L12L B	10651	496	96.7	97.0	0.84	0.81	714	5.2	251	57762	0.8	2.1	499.9	13430	74

Modular induction motors, type AMI

Technical data

IP55, IC81W, insulation class F, temperature rise class B
6000 V, 50 Hz

Output (kW)	Motor type	Product ID	Speed (r/min)	Efficiency		Power factor		Current			Torque			Rotor inertia (kgm ²)	Motor weight (kg)	Sound pressure level <i>L_p</i> (dB(A))
				Full load 100%	3/4 load 75%	Full load 100%	3/4 load 75%	<i>I_N</i> (A)	<i>I_s</i> <i>I_N</i> (pu)	<i>I₀</i> (A)	<i>T_N</i> (Nm)	<i>T_s</i> <i>T_N</i> (pu)	<i>T_{max}</i> <i>T_N</i> (pu)			
3000 r/min = 2 poles																
6000 V 50 Hz																
710	AMI 400L2L	10652	2975	95.6	95.8	0.86	0.84	83	5.0	23	2279	0.5	2.2	6.1	2840	82
800	AMI 400L2L	10653	2971	95.4	95.8	0.86	0.85	93	4.5	23	2571	0.5	1.9	6.1	2840	82
900	AMI 400L2L	10654	2971	95.6	96.0	0.88	0.87	103	4.5	23	2893	0.5	1.9	6.6	2950	82
1000	AMI 400L2L	10655	2972	95.8	96.2	0.87	0.86	115	4.6	27	3213	0.5	2.0	6.8	3010	82
1100	AMI 400L2L	10656	2974	96.0	96.3	0.88	0.87	126	4.9	29	3533	0.5	2.0	7.3	3130	82
1200	AMI 400L2L	10657	2975	96.2	96.5	0.89	0.88	136	5.2	31	3852	0.6	2.1	8.0	3300	82
1350	AMI 400L2L	10658	2976	96.4	96.7	0.89	0.88	152	5.5	35	4331	0.6	2.2	8.7	3460	82
1380	AMI 400L2L	10659	2982	96.6	96.9	0.89	0.88	155	5.6	33	4419	0.6	2.2	11.7	3590	82
1400	AMI 450L2L	10660	2974	96.1	96.4	0.88	0.87	159	4.3	35	4495	0.4	1.8	11.6	3960	83
1600	AMI 450L2L	10661	2973	96.1	96.5	0.88	0.87	182	4.2	40	5139	0.4	1.8	11.9	4040	83
1800	AMI 450L2L	10662	2976	96.4	96.7	0.88	0.87	204	4.7	48	5776	0.4	2.0	13.0	4260	83
2100	AMI 450L2L	10663	2978	96.7	96.9	0.88	0.87	237	5.1	57	6733	0.5	2.2	14.6	4580	83
2150	AMI 450L2L	10664	2986	96.9	97.1	0.89	0.88	239	5.5	57	6876	0.4	2.3	19.5	4740	83
2240	AMI 500L2L	10665	2980	96.7	96.9	0.90	0.89	249	4.8	56	7178	0.4	2.1	21.1	5310	84
2500	AMI 500L2L	10666	2980	96.8	97.0	0.90	0.89	278	5.0	64	8010	0.5	2.1	22.4	5510	84
2800	AMI 500L2L	10667	2981	96.9	97.1	0.90	0.89	309	5.1	69	8970	0.5	2.2	24.4	5790	84
3100	AMI 500L2L	10668	2981	97.0	97.3	0.91	0.90	339	5.3	71	9930	0.5	2.2	27.4	6220	84
3200	AMI 500L2L	10669	2987	97.2	97.4	0.91	0.90	349	5.4	71	10229	0.4	2.2	37.0	6450	84
3300	AMI 560L2L B	10670	2978	96.9	97.1	0.90	0.90	363	5.1	74	10581	0.4	2.4	39.3	8110	87
3700	AMI 560L2L B	10671	2979	96.9	97.2	0.91	0.91	403	4.9	71	11861	0.4	2.4	40.7	8230	87
4100	AMI 560L2L B	10672	2978	97.1	97.3	0.91	0.91	446	5.0	77	13145	0.4	2.4	44.4	8740	87
4500	AMI 560L2L B	10673	2979	97.1	97.3	0.92	0.92	483	5.0	72	14426	0.5	2.4	48.2	9080	87
5250	AMI 560L2L B	10674	2980	97.3	97.5	0.92	0.92	566	5.6	100	16822	0.6	2.7	51.9	9530	87
5700	AMI 560L2L B	10675	2985	97.4	97.6	0.92	0.92	611	5.3	97	18237	0.4	2.5	67.9	9810	87
6100	AMI 630L2L B	10676	2981	97.1	97.2	0.91	0.91	666	5.5	113	19538	0.5	2.7	87.4	11290	88
6500	AMI 630L2L B	10677	2982	97.1	97.2	0.91	0.91	710	5.5	120	20812	0.4	2.6	97.4	11970	88
7100	AMI 630L2L B	10678	2983	97.2	97.3	0.91	0.92	769	5.2	115	22730	0.4	2.5	105.9	12770	88
8000	AMI 630L2L B	10679	2988	97.5	97.6	0.92	0.92	861	5.9	147	25567	0.4	2.8	134.9	12950	88

Modular induction motors, type AMI

Technical data

IP55, IC81W, insulation class F, temperature rise class B
6000 V, 50 Hz

Output (kW)	Motor type	Product ID	Speed (r/min)	Efficiency		Power factor		Current			Torque			Rotor inertia (kgm ²)	Motor weight (kg)	Sound pressure level <i>L_p</i> (dB(A))
				Full load 100%	3/4 load 75%	Full load 100%	3/4 load 75%	<i>I_N</i> (A)	<i>I_s</i> <i>I_N</i> (pu)	<i>I₀</i> (A)	<i>T_N</i> (Nm)	<i>T_s</i> <i>T_N</i> (pu)	<i>T_{max}</i> <i>T_N</i> (pu)			
1500 r/min = 4 poles																
6000 V 50 Hz																
710	AMI 400L4L	10680	1484	94.8	95.3	0.88	0.86	82	4.6	22	4570	0.6	1.8	14.1	2790	79
800	AMI 400L4L	10681	1486	95.2	95.5	0.86	0.84	94	5.2	30	5142	0.7	2.1	15.1	2890	79
900	AMI 400L4L	10682	1486	95.5	95.9	0.86	0.84	105	5.4	33	5785	0.7	2.2	16.1	3010	79
1000	AMI 400L4L	10683	1486	95.7	96.0	0.86	0.84	116	5.5	38	6426	0.8	2.2	17.1	3110	79
1120	AMI 400L4L	10684	1486	95.9	96.2	0.88	0.86	128	5.6	36	7198	0.8	2.2	19.2	3310	79
1300	AMI 400L4L	10685	1486	96.0	96.3	0.87	0.84	150	5.8	48	8352	0.8	2.3	20.2	3410	79
1400	AMI 450L4L	10686	1486	95.8	96.1	0.89	0.88	158	4.8	39	8997	0.5	2.0	29.4	3940	80
1600	AMI 450L4L	10687	1487	96.0	96.3	0.88	0.86	183	5.0	49	10278	0.6	2.0	31.1	4080	80
1800	AMI 450L4L	10688	1487	96.2	96.5	0.88	0.87	205	5.3	55	11557	0.6	2.2	34.6	4330	80
2100	AMI 450L4L	10689	1488	96.4	96.7	0.87	0.85	240	5.7	70	13476	0.7	2.3	38.1	4580	80
2150	AMI 500L4L	10690	1489	96.1	96.4	0.89	0.88	242	5.1	56	13787	0.5	2.0	53.8	5220	81
2360	AMI 500L4L	10691	1490	96.3	96.6	0.89	0.88	265	5.3	65	15130	0.6	2.1	56.8	5390	81
2650	AMI 500L4L	10692	1489	96.4	96.7	0.90	0.89	294	5.2	63	16990	0.6	2.0	62.9	5740	81
2950	AMI 500L4L	10693	1491	96.6	96.9	0.89	0.88	332	5.0	79	18897	0.6	1.9	66.9	5920	81
3250	AMI 500L4L	10694	1491	96.7	97.0	0.89	0.88	365	5.6	90	20816	0.7	2.1	72.3	6230	81
3550	AMI 560L4L B	10695	1490	96.6	96.9	0.89	0.88	397	5.4	87	22753	0.6	2.3	105.2	7830	83
4000	AMI 560L4L B	10696	1489	96.7	97.0	0.90	0.90	441	5.2	82	25646	0.6	2.3	114.5	8240	83
4500	AMI 560L4L B	10697	1490	96.9	97.2	0.88	0.87	506	5.6	117	28833	0.6	2.5	123.5	8640	83
5000	AMI 560L4L B	10698	1491	97.0	97.3	0.88	0.87	564	5.5	131	32034	0.6	2.5	132.4	9040	83
5500	AMI 560L4L B	10699	1491	97.1	97.3	0.87	0.86	627	5.7	157	35227	0.7	2.6	141.3	9440	83
6300	AMI 630L4L B	10700	1491	97.1	97.4	0.89	0.89	703	4.9	128	40350	0.5	2.1	207.7	11710	84
7100	AMI 630L4L B	10701	1490	97.2	97.5	0.89	0.89	792	4.7	136	45499	0.5	2.0	228.1	12490	84
7800	AMI 630L4L B	10702	1492	97.3	97.6	0.89	0.89	863	5.1	155	49937	0.6	2.2	252.4	13220	84

Modular induction motors, type AMI

Technical data

IP55, IC81W, insulation class F, temperature rise class B
6000 V, 50 Hz

Output (kW)	Motor type	Product ID	Speed (r/min)	Efficiency		Power factor		Current			Torque			Rotor inertia (kgm ²)	Motor weight (kg)	Sound pressure level <i>L_p</i> (dB(A))
				Full load 100%	3/4 load 75%	Full load 100%	3/4 load 75%	<i>I_N</i> (A)	<i>I_s</i> <i>I_N</i> (pu)	<i>I₀</i> (A)	<i>T_N</i> (Nm)	<i>T_s</i> <i>T_N</i> (pu)	<i>T_{max}</i> <i>T_N</i> (pu)			
1000 r/min = 6 poles																
6000 V 50 Hz																
500	AMI 400L6L	10703	989	94.8	95.0	0.83	0.79	61	5.4	24	4827	0.9	2.2	16.7	2820	77
560	AMI 400L6L	10704	989	94.8	95.0	0.80	0.75	71	5.5	33	5405	0.9	2.3	16.7	2820	77
630	AMI 400L6L	10705	989	95.0	95.2	0.81	0.76	79	5.4	34	6082	0.9	2.2	18.0	2920	77
710	AMI 400L6L	10706	989	95.1	95.3	0.81	0.77	88	5.4	37	6855	0.9	2.2	19.2	3010	77
800	AMI 400L6L	10707	989	95.2	95.4	0.81	0.76	100	5.4	43	7723	0.9	2.2	20.4	3110	77
900	AMI 400L6L	10708	989	95.3	95.6	0.83	0.79	110	5.4	43	8689	0.9	2.2	22.8	3290	77
950	AMI 450L6L	10709	989	95.4	95.9	0.85	0.83	113	4.8	35	9169	0.6	1.9	33.3	3720	78
1060	AMI 450L6L	10710	990	95.6	96.0	0.85	0.82	126	4.9	40	10228	0.7	1.9	35.6	3840	78
1180	AMI 450L6L	10711	990	95.8	96.1	0.84	0.81	141	5.1	48	11380	0.7	2.1	37.8	3970	78
1320	AMI 450L6L	10712	990	95.9	96.3	0.85	0.82	156	5.3	50	12728	0.7	2.1	42.3	4220	78
1500	AMI 450L6L	10713	991	96.1	96.4	0.85	0.82	178	5.5	59	14457	0.8	2.2	46.8	4460	78
1600	AMI 500L6L	10714	992	96.1	96.5	0.88	0.86	183	5.6	54	15395	0.7	2.1	66.2	5220	79
1800	AMI 500L6L	10715	992	96.1	96.4	0.86	0.84	209	5.8	66	17324	0.9	2.2	69.3	5340	79
2000	AMI 500L6L	10716	992	96.2	96.5	0.86	0.84	231	5.5	72	19244	0.7	2.1	73.6	5500	79
2240	AMI 500L6L	10717	992	96.4	96.7	0.88	0.87	255	5.1	68	21560	0.7	1.9	84.4	5970	79
2450	AMI 500L6L	10718	993	96.5	96.8	0.86	0.83	285	5.5	92	23562	0.7	2.1	88.0	6120	79
2500	AMI 560L6L B	10719	991	96.3	96.7	0.87	0.86	288	5.1	75	24078	0.7	2.1	120.7	7200	80
2800	AMI 560L6L B	10720	992	96.5	96.8	0.86	0.85	324	5.5	92	26947	0.8	2.4	132.9	7560	80
3300	AMI 560L6L B	10721	993	96.7	97.0	0.87	0.85	379	5.7	104	31750	0.8	2.4	151.3	8130	80
3550	AMI 560L6L B	10722	993	96.8	97.1	0.86	0.85	409	5.8	114	34145	0.8	2.5	163.1	8510	80
4000	AMI 560L6L B	10723	993	96.8	97.1	0.87	0.86	455	5.7	122	38473	0.8	2.4	187.5	9250	80
4300	AMI 560L6L B	10724	993	96.9	97.2	0.86	0.84	497	5.8	147	41346	0.8	2.5	193.2	9460	80
4500	AMI 630L6L B	10725	992	96.8	97.2	0.88	0.88	508	4.8	105	43325	0.6	2.1	248.3	11140	81
5000	AMI 630L6L B	10726	993	97.0	97.3	0.88	0.88	566	5.0	125	48089	0.6	2.1	268.1	11620	81
5600	AMI 630L6L B	10727	994	97.2	97.4	0.87	0.86	634	5.5	158	53811	0.7	2.3	305.5	12570	81
6500	AMI 630L6L B	10728	994	97.3	97.5	0.87	0.85	742	5.5	203	62427	0.7	2.4	336.0	13260	81

Modular induction motors, type AMI

Technical data

IP55, IC81W, insulation class F, temperature rise class B
6000 V, 50 Hz

Output (kW)	Motor type	Product ID	Speed (r/min)	Efficiency		Power factor		Current			Torque			Rotor inertia (kgm ²)	Motor weight (kg)	Sound pressure level <i>L_p</i> (dB(A))
				Full load 100%	3/4 load 75%	Full load 100%	3/4 load 75%	<i>I_N</i> (A)	<i>I_s</i> <i>I_N</i> (pu)	<i>I₀</i> (A)	<i>T_N</i> (Nm)	<i>T_s</i> <i>T_N</i> (pu)	<i>T_{max}</i> <i>T_N</i> (pu)			
750 r/min = 8 poles																
6000 V 50 Hz																
315	AMI 400L8L	10729	742	94.3	94.6	0.81	0.76	40	5.2	17	4054	0.8	2.1	17.8	2710	75
355	AMI 400L8L	10730	741	94.4	94.8	0.83	0.79	44	4.9	17	4572	0.8	1.9	19.3	2800	75
400	AMI 400L8L	10731	742	94.5	94.8	0.81	0.76	50	5.1	22	5150	0.8	2.0	19.3	2810	75
450	AMI 400L8L	10732	741	94.6	95.0	0.82	0.78	56	5.0	23	5796	0.8	2.0	20.7	2900	75
500	AMI 400L8L	10733	741	94.7	95.1	0.82	0.78	62	5.0	25	6440	0.8	2.0	22.2	2990	75
600	AMI 400L8L	10734	740	94.7	95.3	0.84	0.82	73	4.5	25	7740	0.7	1.7	25.1	3180	75
630	AMI 450L8L	10735	739	94.8	95.3	0.85	0.83	75	4.6	25	8137	0.7	1.8	37.5	3670	76
710	AMI 450L8L	10736	741	95.1	95.4	0.82	0.78	87	5.1	36	9148	0.8	2.1	37.7	3680	76
800	AMI 450L8L	10737	742	95.3	95.6	0.81	0.76	100	5.1	43	10292	0.8	2.1	40.7	3800	76
900	AMI 450L8L	10738	741	95.4	95.7	0.83	0.79	109	5.2	43	11592	0.8	2.1	45.8	4040	76
1050	AMI 450L8L	10739	741	95.4	95.9	0.85	0.83	125	4.8	40	13532	0.8	1.9	53.9	4400	76
1120	AMI 500L8L	10740	743	95.5	95.7	0.83	0.80	136	5.2	51	14397	0.7	2.1	71.7	5010	77
1250	AMI 500L8L	10741	742	95.5	95.9	0.86	0.84	147	4.8	45	16081	0.6	1.8	80.6	5310	77
1400	AMI 500L8L	10742	743	95.7	96.0	0.85	0.82	166	5.3	57	17992	0.7	2.1	89.5	5610	77
1650	AMI 500L8L	10743	745	96.1	96.2	0.83	0.80	199	5.5	74	21159	0.8	2.1	104.5	6090	77
1800	AMI 560L8L B	10744	744	96.2	96.5	0.83	0.81	218	4.6	70	23103	0.6	1.9	134.6	7180	76
2000	AMI 560L8L B	10745	744	96.3	96.6	0.83	0.80	242	4.9	81	25656	0.7	2.0	148.9	7540	76
2240	AMI 560L8L B	10746	744	96.4	96.7	0.83	0.82	268	4.8	84	28737	0.7	1.9	163.1	7930	76
2500	AMI 560L8L B	10747	744	96.5	96.8	0.83	0.82	298	4.9	93	32068	0.7	1.9	177.4	8310	76
2800	AMI 560L8L B	10748	745	96.6	96.8	0.84	0.82	333	5.1	106	35902	0.7	2.0	198.7	8850	76
3150	AMI 560L8L B	10749	745	96.7	96.9	0.83	0.80	377	5.4	129	40370	0.8	2.1	220.1	9430	76
3550	AMI 630L8L B	10750	745	96.8	97.1	0.85	0.85	414	5.0	110	45492	0.6	1.9	343.7	11750	77
3900	AMI 630L8L B	10751	745	96.8	97.0	0.85	0.84	459	5.0	125	50005	0.7	1.9	353.3	11980	77
4500	AMI 630L8L B	10752	745	97.0	97.2	0.86	0.85	521	5.0	132	57654	0.7	1.9	429.1	13440	77

Modular induction motors, type AMI

Technical data

IP55, IC81W, insulation class F, temperature rise class B
6000 V, 50 Hz

Output (kW)	Motor type	Product ID	Speed (r/min)	Efficiency		Power factor		Current			Torque			Rotor inertia (kgm ²)	Motor weight (kg)	Sound pressure level <i>L_p</i> (dB(A))
				Full load 100%	3/4 load 75%	Full load 100%	3/4 load 75%	<i>I_N</i> (A)	<i>I_s</i> <i>I_N</i> (pu)	<i>I₀</i> (A)	<i>T_N</i> (Nm)	<i>T_s</i> <i>T_N</i> (pu)	<i>T_{max}</i> <i>T_N</i> (pu)			
600 r/min = 10 poles																
6000 V 50 Hz																
224	AMI 400L10L	12299	592	92.7	92.6	0.66	0.59	35	3.7	22	3615	0.6	1.8	13.9	2750	75
250	AMI 400L10L	10753	591	93.0	93.2	0.71	0.65	36	3.6	20	4041	0.6	1.7	14.6	2850	75
280	AMI 400L10L	10754	591	93.2	93.4	0.74	0.68	39	4.0	20	4521	0.7	1.8	18.0	2890	75
315	AMI 400L10L	10755	591	93.3	93.6	0.76	0.71	43	3.8	20	5092	0.6	1.7	19.2	2980	75
355	AMI 400L10L	10756	593	93.6	93.8	0.75	0.70	48	4.3	23	5721	0.7	1.8	23.5	3080	75
400	AMI 400L10L	10757	592	93.6	94.0	0.76	0.72	54	4.1	25	6451	0.7	1.7	24.9	3170	75
450	AMI 450L10L	10758	591	94.0	94.6	0.83	0.80	56	4.2	20	7269	0.7	1.7	37.8	3650	76
500	AMI 450L10L	10759	591	94.2	94.8	0.83	0.80	62	4.2	22	8075	0.7	1.7	40.5	3770	76
560	AMI 450L10L	10760	591	94.2	94.8	0.82	0.79	70	4.3	25	9051	0.8	1.7	43.0	3890	76
650	AMI 450L10L	10761	592	94.5	95.0	0.82	0.78	81	4.5	32	10487	0.8	1.8	45.9	4010	76
740	AMI 450L10L	10762	592	94.7	95.2	0.82	0.78	92	4.6	37	11935	0.8	1.8	51.3	4250	76
800	AMI 500L10L	10763	593	95.1	95.6	0.84	0.81	97	4.5	35	12892	0.6	1.8	71.9	5020	77
900	AMI 500L10L	10764	594	95.4	95.8	0.82	0.79	110	4.9	43	14477	0.7	2.0	76.8	5180	77
1000	AMI 500L10L	10765	593	95.2	95.7	0.84	0.81	120	4.6	43	16110	0.7	1.9	85.3	5430	77
1120	AMI 500L10L	10766	593	95.5	95.9	0.84	0.81	135	4.6	46	18031	0.7	1.8	90.3	5620	77
1250	AMI 500L10L	10767	594	95.7	96.0	0.83	0.79	151	5.2	58	20095	0.8	2.0	103.8	6040	77
1400	AMI 560L10L B	10768	592	95.5	96.0	0.85	0.83	165	4.7	52	22583	0.7	2.1	148.8	7100	75
1600	AMI 560L10L B	10769	593	95.8	96.2	0.85	0.83	188	5.1	61	25780	0.8	2.3	172.8	7660	75
1800	AMI 560L10L B	10770	593	95.8	96.3	0.86	0.83	211	5.1	67	29001	0.8	2.2	188.8	8040	75
2000	AMI 560L10L B	10771	593	96.0	96.4	0.86	0.84	233	5.0	69	32197	0.8	2.1	213.3	8610	75
2240	AMI 560L10L B	10772	594	96.2	96.5	0.85	0.83	263	5.4	87	36026	0.9	2.3	229.4	8990	75
2400	AMI 560L10L B	10773	595	96.4	96.6	0.84	0.81	286	5.6	104	38491	0.9	2.3	248.3	9320	75
2500	AMI 630L10L B	10774	594	96.3	96.7	0.86	0.84	291	5.0	83	40177	0.8	2.0	338.3	10770	75
2800	AMI 630L10L B	10775	594	96.4	96.8	0.86	0.85	325	5.2	92	44981	0.8	2.0	381.2	11490	75
3150	AMI 630L10L B	10776	596	96.7	97.0	0.85	0.83	369	5.5	118	50479	0.8	2.1	428.1	12170	75
3350	AMI 630L10L B	10777	597	96.8	97.0	0.85	0.83	393	5.5	127	53628	0.8	2.2	464.5	12670	75
3700	AMI 630L10L B	10778	597	96.9	97.1	0.85	0.82	435	5.7	145	59216	0.8	2.2	508.6	13420	75

Modular induction motors, type AMI

Technical data

IP55, IC81W, insulation class F, temperature rise class B
6000 V, 50 Hz

Output (kW)	Motor type	Product ID	Speed (r/min)	Efficiency		Power factor		Current			Torque			Rotor inertia (kgm ²)	Motor weight (kg)	Sound pressure level <i>L_p</i> (dB(A))
				Full load 100%	3/4 load 75%	Full load 100%	3/4 load 75%	<i>I_N</i> (A)	<i>I_s</i> <i>I_N</i> (pu)	<i>I₀</i> (A)	<i>T_N</i> (Nm)	<i>T_s</i> <i>T_N</i> (pu)	<i>T_{max}</i> <i>T_N</i> (pu)			
500 r/min = 12 poles																
6000 V 50 Hz																
180	AMI 400L12L	10779	494	91.5	91.0	0.65	0.57	29	3.9	19	3483	0.8	2.0	16.7	2790	75
200	AMI 400L12L	10780	492	91.7	91.5	0.68	0.62	31	3.7	18	3879	0.7	1.7	17.9	2880	75
224	AMI 400L12L	10781	492	91.8	91.8	0.70	0.64	33	3.5	18	4350	0.7	1.6	19.1	2980	75
250	AMI 400L12L	10782	492	92.0	92.1	0.73	0.67	36	3.8	19	4850	0.7	1.7	23.3	3060	75
280	AMI 400L12L	10783	492	92.1	92.3	0.73	0.68	40	3.6	20	5436	0.7	1.6	24.7	3150	75
315	AMI 450L12L	10784	493	93.4	93.7	0.75	0.69	43	4.1	22	6101	0.7	1.8	35.0	3530	76
355	AMI 450L12L	10785	493	93.4	93.8	0.76	0.71	48	4.0	23	6879	0.7	1.7	37.7	3640	76
400	AMI 450L12L	10786	494	93.7	94.1	0.75	0.69	55	4.0	27	7737	0.7	1.8	40.8	3770	76
450	AMI 450L12L	10787	493	93.9	94.4	0.77	0.73	60	3.9	27	8711	0.6	1.7	46.3	4010	76
500	AMI 450L12L	10788	493	93.7	94.1	0.77	0.72	67	4.1	31	9683	0.7	1.7	51.1	4200	76
560	AMI 500L12L	10789	492	94.3	94.8	0.79	0.76	72	3.9	29	10859	0.6	1.7	66.8	4850	77
630	AMI 500L12L	10790	493	94.5	94.9	0.79	0.75	81	4.0	34	12210	0.6	1.7	71.2	5000	77
710	AMI 500L12L	10791	493	94.6	95.1	0.80	0.76	91	4.0	37	13761	0.6	1.7	80.1	5300	77
800	AMI 500L12L	10792	493	94.8	95.2	0.79	0.75	102	4.2	43	15495	0.6	1.7	89.1	5600	77
930	AMI 500L12L	10793	493	95.0	95.3	0.79	0.76	118	4.2	49	18007	0.7	1.7	102.5	6040	77
1000	AMI 560L12L B	10794	493	95.1	95.7	0.82	0.79	123	4.3	47	19358	0.6	2.0	149.2	7040	74
1120	AMI 560L12L B	10795	494	95.3	95.8	0.81	0.77	139	4.5	57	21664	0.6	2.1	157.2	7230	74
1250	AMI 560L12L B	10796	493	95.4	95.9	0.82	0.78	154	4.5	60	24204	0.7	2.0	172.0	7620	74
1400	AMI 560L12L B	10797	493	95.6	96.0	0.82	0.78	172	4.7	67	27091	0.7	2.1	196.4	8160	74
1600	AMI 560L12L B	10798	494	95.7	96.1	0.82	0.78	196	4.8	78	30945	0.8	2.2	220.6	8700	74
1800	AMI 560L12L B	10799	495	96.0	96.4	0.82	0.78	221	4.8	86	34756	0.8	2.0	246.3	9300	74
2000	AMI 630L12L B	10800	495	96.2	96.6	0.83	0.80	241	4.8	85	38551	0.7	2.0	326.1	10470	74
2240	AMI 630L12L B	10801	495	96.3	96.7	0.84	0.82	266	4.7	85	43180	0.7	1.9	384.0	11410	74
2500	AMI 630L12L B	10802	496	96.4	96.8	0.84	0.82	296	4.9	97	48162	0.7	2.0	441.9	12340	74
2800	AMI 630L12L B	10803	496	96.5	96.8	0.84	0.81	334	5.4	118	53935	0.9	2.1	496.5	13250	74

Modular induction motors, type AMI

Technical data

IP55, IC81W, insulation class F, temperature rise class B
10000 V, 50 Hz

Output (kW)	Motor type	Product ID	Speed (r/min)	Efficiency		Power factor		Current			Torque			Rotor inertia (kgm ²)	Motor weight (kg)	Sound pressure level <i>L_p</i> (dB(A))
				Full load 100%	3/4 load 75%	Full load 100%	3/4 load 75%	<i>I_N</i> (A)	<i>I_s</i> <i>I_N</i> (pu)	<i>I₀</i> (A)	<i>T_N</i> (Nm)	<i>T_s</i> <i>T_N</i> (pu)	<i>T_{max}</i> <i>T_N</i> (pu)			
3000 r/min = 2 poles																
10000 V 50 Hz																
630	AMI 450L2L	10804	2974	94.4	94.5	0.87	0.85	44	5.1	13	2023	0.5	2.2	10.3	3520	83
710	AMI 450L2L	10805	2976	94.6	94.7	0.86	0.83	50	5.0	16	2279	0.5	2.2	10.2	3520	83
800	AMI 450L2L	10806	2977	95.0	95.1	0.86	0.83	56	5.4	18	2566	0.5	2.3	11.0	3670	83
900	AMI 450L2L	10807	2976	95.2	95.3	0.87	0.84	63	5.3	19	2888	0.6	2.3	11.5	3760	83
1000	AMI 450L2L	10808	2978	95.4	95.6	0.88	0.85	69	5.3	20	3207	0.5	2.3	12.1	3890	83
1120	AMI 450L2L	10809	2978	95.5	95.7	0.88	0.86	77	5.3	22	3592	0.5	2.3	12.6	3990	83
1250	AMI 450L2L	10810	2979	96.0	96.2	0.88	0.86	85	5.5	23	4007	0.6	2.4	12.5	4050	83
1500	AMI 450L2L	10811	2981	96.3	96.4	0.88	0.85	103	5.8	30	4805	0.6	2.5	13.4	4270	83
1530	AMI 450L2L	10812	2988	96.6	96.6	0.88	0.86	104	5.8	29	4889	0.4	2.4	18.1	4420	83
1600	AMI 500L2L	10813	2979	96.0	96.2	0.88	0.87	109	4.8	28	5129	0.4	2.1	17.4	4690	84
1800	AMI 500L2L	10814	2981	96.3	96.5	0.89	0.87	122	4.9	31	5766	0.4	2.1	18.5	4870	84
2000	AMI 500L2L	10815	2982	96.5	96.6	0.89	0.87	135	5.1	35	6405	0.5	2.2	19.8	5060	84
2240	AMI 500L2L	10816	2982	96.6	96.8	0.89	0.88	150	5.3	38	7172	0.5	2.3	21.7	5340	84
2500	AMI 500L2L	10817	2983	96.8	97.0	0.90	0.88	166	5.7	43	8002	0.5	2.4	24.0	5660	84
2550	AMI 500L2L	10818	2988	97.0	97.1	0.90	0.88	169	5.7	42	8149	0.4	2.3	32.6	5860	84
2800	AMI 560L2L B	10819	2975	96.4	96.7	0.90	0.90	186	4.6	36	8987	0.4	2.3	36.1	7490	87
3250	AMI 560L2L B	10820	2978	96.7	96.9	0.90	0.90	215	4.9	43	10421	0.4	2.4	39.3	7900	87
3700	AMI 560L2L B	10821	2980	96.9	97.1	0.91	0.90	243	5.3	48	11856	0.4	2.5	42.6	8340	87
4100	AMI 560L2L B	10822	2980	97.0	97.2	0.91	0.91	267	5.5	50	13137	0.5	2.6	46.3	8760	87
4600	AMI 560L2L B	10823	2982	97.2	97.4	0.92	0.91	299	5.6	58	14731	0.5	2.7	49.5	9170	87
5000	AMI 560L2L B	10824	2987	97.4	97.6	0.91	0.91	325	5.2	58	15984	0.4	2.4	66.5	9480	87
5200	AMI 630L2L B	10825	2985	96.9	96.9	0.91	0.90	342	5.6	63	16637	0.5	2.7	85.9	10890	88
5800	AMI 630L2L B	10826	2985	97.0	97.1	0.91	0.91	379	5.7	66	18558	0.5	2.7	92.4	11440	88
6500	AMI 630L2L B	10827	2984	97.1	97.2	0.91	0.90	427	5.9	79	20802	0.5	2.8	103.4	12220	88
7100	AMI 630L2L B	10828	2989	97.3	97.4	0.92	0.92	459	5.8	76	22687	0.4	2.7	134.8	12630	88

Modular induction motors, type AMI

Technical data

IP55, IC81W, insulation class F, temperature rise class B
10000 V, 50 Hz

Output (kW)	Motor type	Product ID	Speed (r/min)	Efficiency		Power factor		Current			Torque			Rotor inertia (kgm ²)	Motor weight (kg)	Sound pressure level <i>L_p</i> (dB(A))
				Full load 100%	3/4 load 75%	Full load 100%	3/4 load 75%	<i>I_N</i> (A)	<i>I_s</i> <i>I_N</i> (pu)	<i>I₀</i> (A)	<i>T_N</i> (Nm)	<i>T_s</i> <i>T_N</i> (pu)	<i>T_{max}</i> <i>T_N</i> (pu)			
1500 r/min = 4 poles																
10000 V 50 Hz																
900	AMI 450L4L	10829	1487	95.4	95.4	0.84	0.80	65	6.0	25	5778	0.7	2.6	22.3	3740	80
1000	AMI 450L4L	10830	1486	95.3	95.5	0.85	0.82	71	5.4	25	6427	0.7	2.3	22.3	3740	80
1120	AMI 450L4L	10831	1485	95.3	95.6	0.86	0.83	79	4.9	26	7201	0.5	2.1	22.5	3740	80
1250	AMI 450L4L	10832	1485	95.4	95.8	0.87	0.85	87	4.8	26	8040	0.5	2.0	23.8	3870	80
1400	AMI 450L4L	10833	1484	95.5	95.9	0.87	0.86	97	4.7	27	9008	0.5	2.0	25.2	3990	80
1600	AMI 450L4L	10834	1485	95.8	96.1	0.87	0.85	110	5.1	33	10286	0.6	2.1	27.9	4250	80
1800	AMI 500L4L	10835	1488	95.7	96.0	0.90	0.89	120	5.3	28	11553	0.6	2.1	55.5	5300	81
2100	AMI 500L4L	10836	1490	96.0	96.2	0.89	0.88	142	5.4	35	13461	0.6	2.1	59.3	5470	81
2400	AMI 500L4L	10837	1492	96.3	96.5	0.89	0.88	162	5.6	41	15365	0.6	2.1	66.4	5800	81
2800	AMI 560L4L B	10838	1490	96.4	96.6	0.89	0.88	189	5.3	42	17947	0.6	2.3	99.9	7600	83
3150	AMI 560L4L B	10839	1491	96.6	96.8	0.89	0.88	212	5.6	50	20181	0.6	2.5	109.1	8000	83
3550	AMI 560L4L B	10840	1491	96.7	96.9	0.88	0.87	241	5.8	60	22737	0.6	2.5	117.8	8340	83
4000	AMI 560L4L B	10841	1491	96.8	97.0	0.88	0.87	270	5.7	63	25621	0.6	2.5	127.1	8740	83
4500	AMI 560L4L B	10842	1492	97.0	97.2	0.86	0.84	311	5.7	85	28794	0.6	2.5	137.9	9140	83
5000	AMI 630L4L B	10843	1491	96.8	97.0	0.89	0.88	337	5.3	72	32029	0.6	2.3	189.9	10990	84
5500	AMI 630L4L B	10844	1491	97.0	97.2	0.89	0.88	369	5.4	78	35225	0.6	2.4	204.6	11500	84
6000	AMI 630L4L B	10845	1491	97.1	97.3	0.89	0.89	400	5.5	81	38426	0.6	2.4	219.4	12020	84
6700	AMI 630L4L B	10846	1491	97.2	97.4	0.90	0.89	444	5.7	90	42898	0.7	2.5	241.5	12770	84

Modular induction motors, type AMI

Technical data

IP55, IC81W, insulation class F, temperature rise class B
10000 V, 50 Hz

Output (kW)	Motor type	Product ID	Speed (r/min)	Efficiency		Power factor		Current			Torque			Rotor inertia (kgm ²)	Motor weight (kg)	Sound pressure level L _p (dB(A))
				Full load 100%	3/4 load 75%	Full load 100%	3/4 load 75%	I _N (A)	I _s I _N (pu)	I ₀ (A)	T _N (Nm)	T _s T _N (pu)	T _{max} T _N (pu)			
1000 r/min = 6 poles																
10000 V 50 Hz																
630	AMI 450L6L	10847	989	95.0	95.2	0.84	0.80	46	5.3	17	6081	0.8	2.1	28.1	3800	78
710	AMI 450L6L	10848	988	94.9	95.2	0.85	0.82	51	4.8	17	6864	0.7	2.0	28.1	3800	78
800	AMI 450L6L	10849	989	95.1	95.4	0.84	0.80	58	5.0	21	7725	0.7	2.1	28.3	3810	78
900	AMI 450L6L	10850	988	95.1	95.5	0.85	0.82	64	4.7	22	8696	0.6	1.9	30.1	3940	78
1000	AMI 450L6L	10851	988	95.2	95.6	0.85	0.83	71	4.6	23	9667	0.6	1.9	31.8	4060	78
1100	AMI 450L6L	10852	991	95.5	95.8	0.83	0.79	80	4.8	30	10605	0.6	1.9	32.4	4080	78
1250	AMI 500L6L	10853	991	95.4	95.8	0.88	0.86	86	5.5	26	12045	0.7	2.1	60.1	4960	79
1400	AMI 500L6L	10854	991	95.5	95.9	0.87	0.85	97	5.5	30	13488	0.7	2.2	63.6	5110	79
1600	AMI 500L6L	10855	993	95.8	96.1	0.86	0.83	113	5.6	39	15383	0.7	2.2	69.1	5290	79
1750	AMI 500L6L	10856	994	96.0	96.2	0.84	0.81	125	5.6	47	16820	0.7	2.2	72.6	5450	79
2000	AMI 560L6L B	10857	992	96.1	96.4	0.88	0.87	136	5.4	35	19250	0.7	2.3	119.9	7100	80
2240	AMI 560L6L B	10858	992	96.1	96.4	0.88	0.87	153	5.6	40	21558	0.8	2.3	136.3	7580	80
2500	AMI 560L6L B	10859	993	96.3	96.6	0.87	0.85	173	5.8	52	24044	0.8	2.5	147.5	7950	80
2800	AMI 560L6L B	10860	993	96.5	96.8	0.87	0.86	192	5.7	54	26915	0.7	2.3	160.8	8340	80
3200	AMI 560L6L B	10861	995	96.7	96.9	0.86	0.85	222	5.6	64	30723	0.7	2.2	177.8	8760	80
3550	AMI 630L6L B	10862	993	96.7	97.0	0.87	0.86	242	5.7	64	34133	0.7	2.4	228.6	10500	81
4000	AMI 630L6L B	10863	993	96.8	97.1	0.88	0.87	271	5.6	67	38466	0.7	2.4	247.4	10970	81
4500	AMI 630L6L B	10864	993	96.9	97.2	0.88	0.87	304	5.6	74	43275	0.7	2.4	266.2	11450	81
5000	AMI 630L6L B	10865	994	97.0	97.3	0.87	0.86	341	5.7	91	48040	0.7	2.4	285.7	11940	81
5600	AMI 630L6L B	10866	994	97.1	97.4	0.87	0.86	381	5.6	102	53782	0.7	2.4	316.0	12660	81
750 r/min = 8 poles																
10000 V 50 Hz																
710	AMI 500L8L	10867	742	94.6	94.8	0.84	0.81	51	5.3	19	9134	0.7	2.1	69.4	4910	77
800	AMI 500L8L	10868	741	94.5	94.9	0.86	0.83	57	5.2	19	10307	0.8	2.1	69.8	4910	77
900	AMI 500L8L	10869	742	94.8	95.1	0.86	0.83	64	5.3	21	11583	0.7	2.0	74.6	5070	77
1000	AMI 500L8L	10870	742	94.9	95.2	0.86	0.83	71	5.3	24	12870	0.7	2.1	79.0	5220	77
1120	AMI 500L8L	10871	743	95.1	95.5	0.87	0.85	78	5.1	24	14403	0.7	1.9	88.4	5510	77
1250	AMI 500L8L	10872	744	95.4	95.7	0.85	0.83	89	5.3	29	16042	0.7	1.9	94.0	5680	77
1400	AMI 560L8L B	10873	744	95.8	96.1	0.85	0.84	99	4.8	30	17971	0.6	1.9	134.0	7070	76
1600	AMI 560L8L B	10874	744	95.9	96.2	0.85	0.83	113	4.9	35	20538	0.6	2.0	141.1	7260	76
1850	AMI 560L8L B	10875	744	96.0	96.3	0.84	0.82	132	4.9	43	23745	0.6	2.0	148.2	7450	76
2100	AMI 560L8L B	10876	745	96.2	96.5	0.84	0.81	151	5.0	49	26929	0.7	2.0	163.1	7840	76
2360	AMI 560L8L B	10877	744	96.3	96.6	0.84	0.83	167	5.0	53	30279	0.7	2.0	183.3	8390	76
2500	AMI 560L8L B	10878	745	96.4	96.5	0.83	0.80	179	5.7	65	32039	0.8	2.3	204.5	8890	76
2800	AMI 630L8L B	10879	744	96.3	96.6	0.85	0.83	198	5.5	61	35920	0.8	2.2	301.9	10840	77
3150	AMI 630L8L B	10880	744	96.4	96.7	0.85	0.84	221	5.3	64	40421	0.7	2.1	325.9	11340	77
3500	AMI 630L8L B	10881	745	96.7	96.9	0.85	0.84	245	5.2	73	44838	0.6	2.1	355.5	11850	77
4150	AMI 630L8L B	10882	746	96.9	97.0	0.85	0.83	292	5.5	92	53139	0.7	2.2	416.0	13050	77

Modular induction motors, type AMI

Technical data

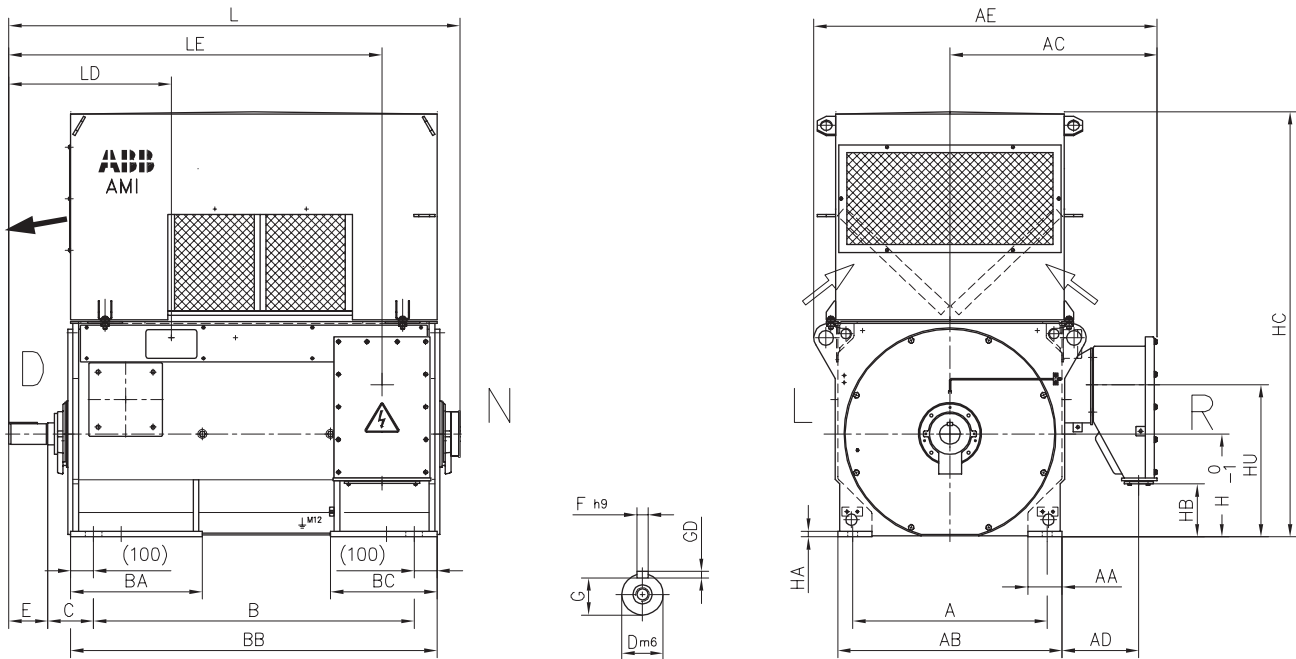
IP55, IC81W, insulation class F, temperature rise class B
10000 V, 50 Hz

Output (kW)	Motor type	Product ID	Speed (r/min)	Efficiency		Power factor		Current			Torque			Rotor inertia (kgm ²)	Motor weight (kg)	Sound pressure level <i>L_p</i> (dB(A))
				Full load 100%	3/4 load 75%	Full load 100%	3/4 load 75%	<i>I_N</i> (A)	<i>I_S</i> <i>I_N</i> (pu)	<i>I₀</i> (A)	<i>T_N</i> (Nm)	<i>T_S</i> <i>T_N</i> (pu)	<i>T_{max}</i> <i>T_N</i> (pu)			
600 r/min = 10 poles																
10000 V 50 Hz																
560	AMI 500L10L	10883	594	94.0	94.5	0.84	0.80	41	4.9	16	9006	0.7	1.9	67.3	4760	77
630	AMI 500L10L	10884	593	94.0	94.4	0.83	0.78	47	5.0	19	10143	0.7	2.0	66.7	4760	77
710	AMI 500L10L	10885	593	94.1	94.6	0.83	0.79	52	4.9	21	11436	0.7	2.0	71.1	4910	77
800	AMI 500L10L	10886	594	94.5	95.0	0.83	0.81	59	4.5	21	12853	0.7	1.7	81.7	5220	77
850	AMI 500L10L	10887	594	94.6	95.1	0.84	0.80	62	4.9	23	13665	0.7	1.9	85.5	5350	77
900	AMI 560L10L B	10888	592	94.7	95.3	0.86	0.85	63	4.6	18	14526	0.7	2.0	147.9	6990	75
1000	AMI 560L10L B	10889	592	94.9	95.4	0.86	0.84	71	5.0	23	16123	0.8	2.1	147.9	7000	75
1120	AMI 560L10L B	10890	594	95.3	95.7	0.84	0.81	81	5.5	30	18003	0.9	2.4	149.0	7020	75
1300	AMI 560L10L B	10891	594	95.5	95.8	0.85	0.82	93	5.4	33	20893	0.8	2.3	165.5	7390	75
1500	AMI 560L10L B	10892	594	95.6	96.0	0.85	0.82	107	5.4	37	24108	0.8	2.3	181.6	7760	75
1750	AMI 560L10L B	10893	596	95.9	96.3	0.84	0.82	125	5.2	42	28056	0.8	2.0	208.6	8350	75
1950	AMI 560L10L B	10894	596	96.1	96.3	0.82	0.78	143	5.6	57	31234	0.8	2.2	224.3	8710	75
2000	AMI 630L10L B	10895	594	96.0	96.3	0.87	0.84	139	5.5	43	32163	0.9	2.3	335.2	10620	75
2240	AMI 630L10L B	10896	594	96.1	96.4	0.85	0.82	159	5.5	56	35982	0.8	2.3	361.0	11080	75
2500	AMI 630L10L B	10897	596	96.3	96.6	0.84	0.82	178	5.5	61	40064	0.8	2.1	393.6	11510	75
2800	AMI 630L10L B	10898	597	96.5	96.7	0.83	0.80	201	5.6	73	44800	0.7	2.2	432.6	12050	75
3000	AMI 630L10L B	10899	597	96.6	96.8	0.83	0.80	216	5.6	79	47987	0.7	2.1	475.6	12750	75
500 r/min = 12 poles																
10000 V 50 Hz																
400	AMI 500L12L	10900	494	93.2	93.6	0.77	0.73	32	3.8	15	7739	0.5	1.7	57.4	4760	77
450	AMI 500L12L	10901	493	93.2	93.6	0.77	0.72	36	3.8	17	8708	0.5	1.7	57.4	4760	77
500	AMI 500L12L	10902	494	93.4	93.6	0.77	0.71	40	4.6	20	9660	0.7	2.0	71.3	4900	77
560	AMI 500L12L	10903	494	93.5	93.8	0.78	0.72	45	4.5	22	10824	0.7	1.9	75.8	5040	77
630	AMI 500L12L	10904	495	93.8	94.2	0.79	0.74	49	4.2	22	12163	0.6	1.8	85.7	5350	77
710	AMI 560L12L B	10905	493	94.2	94.9	0.83	0.81	52	4.2	19	13751	0.6	2.0	147.9	6960	74
800	AMI 560L12L B	10906	493	94.4	95.0	0.82	0.79	59	4.5	23	15482	0.7	2.1	147.9	6970	74
900	AMI 560L12L B	10907	494	94.6	95.2	0.82	0.78	67	4.6	27	17412	0.7	2.1	156.0	7160	74
1000	AMI 560L12L B	10908	494	94.8	95.3	0.81	0.77	75	4.8	32	19333	0.7	2.2	164.0	7340	74
1150	AMI 560L12L B	10909	494	94.9	95.5	0.83	0.79	85	4.6	33	22245	0.7	2.1	188.1	7890	74
1320	AMI 560L12L B	10910	495	95.4	95.8	0.82	0.77	98	4.7	40	25460	0.6	2.2	214.9	8460	74
1600	AMI 630L12L B	10911	494	95.5	96.0	0.84	0.81	115	5.1	41	30928	0.8	2.2	320.0	10310	74
1800	AMI 630L12L B	10912	494	95.7	96.1	0.84	0.81	129	5.4	48	34768	0.9	2.4	362.6	11000	74
2000	AMI 630L12L B	10913	496	95.9	96.2	0.82	0.79	146	5.5	57	38540	0.8	2.3	420.1	11870	74
2300	AMI 630L12L B	10914	497	96.2	96.5	0.82	0.78	168	5.7	69	44216	0.8	2.3	468.0	12600	74

Modular induction motors, type AMI

Dimension drawings

Antifriction bearings, $1 < UN \leq 6.6$ kV, IM 1001, IC01 / IP24W



AMI	Poles	A	B	C	D	E	F	G	H	K	L	AA	AB	AC	AD
400L	2	750	1250	200	85	170	22	76	400	35	1825	150	880	855	335
400L	≥ 4	750	1250	200	110	210	28	100	400	35	1865	150	880	855	335
450L	2	850	1400	200	90	170	25	81	450	42	1975	150	980	905	335
450L	≥ 4	850	1400	200	125	210	32	114	450	42	2025	150	980	905	335
500L	≥ 4	950	1600	200	140	250	36	128	500	42	2265	150	1080	955	335
560L	≥ 6	1180	2000	250	180	300	45	165	560	42	2810	200	1320	1285	545
630L	≥ 6	1400	2240	250	200	350	45	185	630	42	3100	200	1500	1375	545

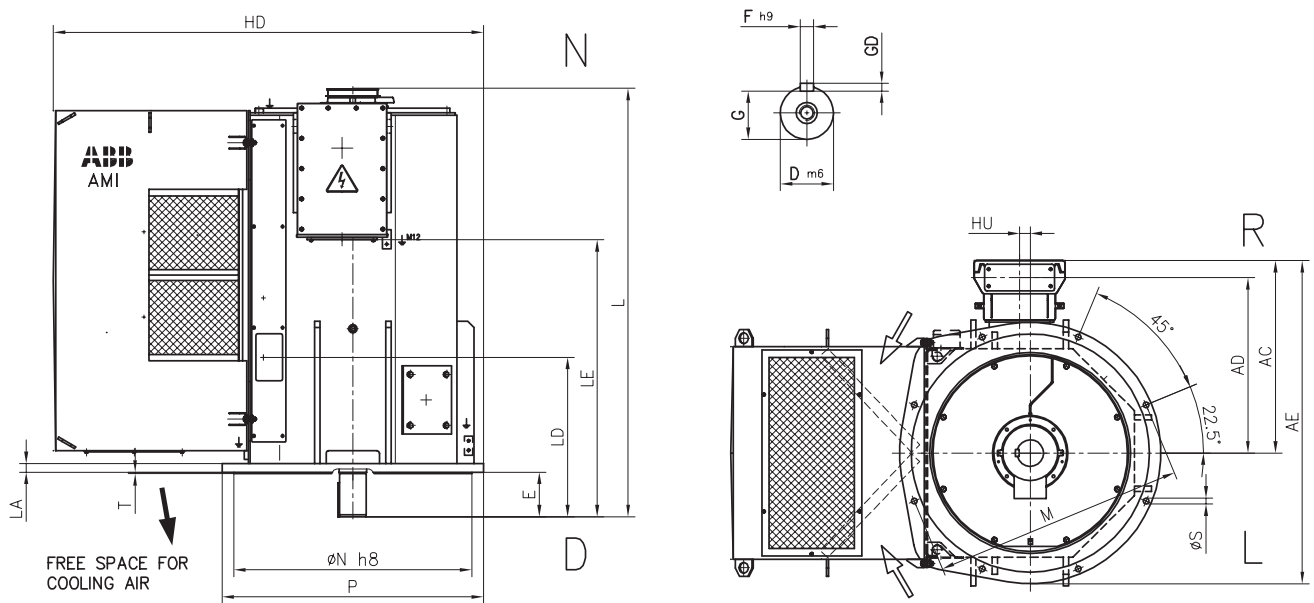
AMI	Poles	AE	BA	BB	BC	GD	HA	HB	HC	LD	LE	HU	D-end bearing	N-end bearing
400L	2	1400	545	1450	445	14	20	130	1710	615	1480	565	6319M/C3	6319M/C3
400L	≥ 4	1400	545	1450	445	16	20	130	1710	655	1520	565	6324/C3	6319/C3
450L	2	1500	575	1600	465	14	25	230	1860	710	1630	665	6319M/C3	6319M/C3
450L	≥ 4	1500	575	1600	465	18	25	230	1860	750	1670	665	6326/C3	6322/C3
500L	≥ 4	1605	645	1800	495	20	35	330	2060	860	1910	765	6330/C3	6324/C3
560L	≥ 6	2125	400	2230	400	25	65.5	75	2465	765	2435	798	6038/C3+NU1038/C3	NU1038/C3
630L	≥ 6	2305	400	2470	400	25	65.5	225	2715	815	2725	948	6044/C3+NU1044/C3	NU1044/C3

Table gives main dimensions in mm.

Modular induction motors, type AMI

Dimension drawings

Antifriction bearings, $1 < UN \leq 6.6$ kV, IM 4011, IC01 / IP24W



AMI	Poles	M	N	P	S	D	E	F	G	HD	L	LA	LD	LE
400L	≥ 4	1080	1000js6	1130	28	110	210	28	100	1875	1860	30	655	1150
450L	≥ 4	1180	1120h8	1230	28	125	210	32	114	2025	2020	40	750	1300
500L	≥ 4	1320	1250h8	1370	28	140	250	36	128	2245	2260	47	860	1540
560L	4	1500	1400h8	1600	28	160	300	40	147	2705	2870	65	1205	1790
560L	≥ 6	1500	1400h8	1600	28	180	300	45	165	2705	2870	65	1205	1790
630L	4	1700	1600h8	1800	28	180	300	45	165	2985	3120	65	1205	2030
630L	≥ 6	1700	1600h8	1800	28	200	350	45	185	2985	3170	65	1255	2080

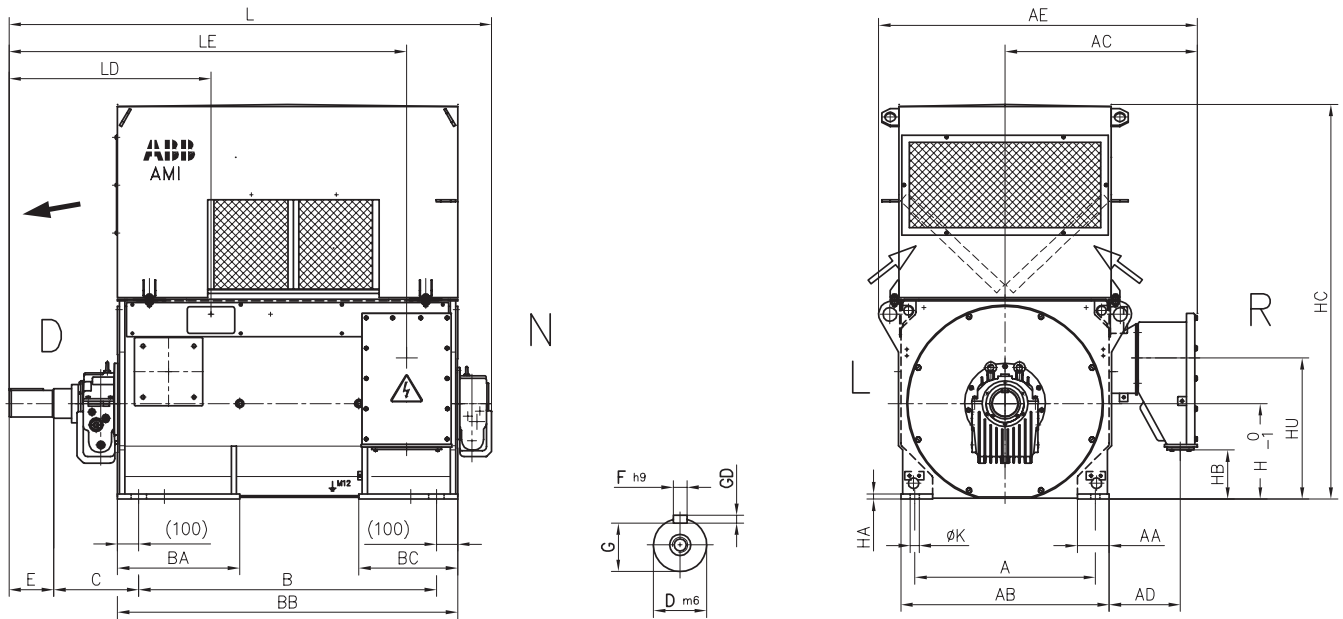
AMI	Poles	T	AC	AD	AE	GD	HU	D-end bearing	N-end bearing
400L	≥ 4	6	855	775	1425	16	50	6324/C3	7319B
450L	≥ 4	7	905	825	1525	18	50	6326/C3	7322B
500L	≥ 4	8	955	875	1645	20	50	6330/C3	7324B
560L	4	10	1355	1210	2155	22	40	6038/C3	7330 B
560L	≥ 6	10	1355	1210	2155	25	40	6038/C3	7330 B
630L	4	10	1455	1310	2355	25	40	6044/C3	7334 B
630L	≥ 6	10	1455	1310	2355	25	40	6044/C3	7334 B

Table gives main dimensions in mm.

Modular induction motors, type AMI

Dimension drawings

Sleeve bearings, 1 < UN ≤ 6.6 kV, IM 1001, IC01 / IP24W



AMI	Poles	A	B	C	D	E	F	G	H	K	L	AA	AB	AC	AD	AE	BA
400L	2	750	1250	375	85	170	22	76	400	35	2065	150	880	855	335	1400	545
400L	≥ 4	750	1250	375	110	210	28	100	400	35	2100	150	880	855	335	1400	545
450L	2	850	1400	375	90	170	25	81	450	42	2215	150	980	905	335	1500	575
450L	≥ 4	850	1400	400	125	210	32	114	450	42	2275	150	980	905	335	1500	575
500L	2	950	1600	375	110	210	28	100	500	42	2485	150	1080	955	335	1605	645
500L	≥ 4	950	1600	450	140	250	36	128	500	42	2595	150	1080	955	335	1605	645
560L	2	1180	2000	400	140	250	36	128	560	42	2910	200	1320	1285	545	2675	400
560L	4	1180	2000	500	160	300	40	147	560	42	3190	200	1320	1285	545	2125	400
630L	2	1400	2240	400	160	300	40	147	630	42	3200	200	1500	1375	545	2870	400
630L	4	1400	2240	500	180	300	45	165	630	42	3430	200	1500	1375	545	2305	400

AMI	Poles	BB	BC	GD	HA	HB	HC	LD	LE	HU	D-end bearing	N-end bearing
400L	2	1450	445	14	20	130	1710	790	1655	565	EFZLB9-80	EFZLQ9-80
400L	≥ 4	1450	445	16	20	130	1710	830	1695	565	EFZLB9-100	EFZLQ 9-100
450L	2	1600	465	14	25	230	1860	885	1805	665	EFZLB9-80	EFZLQ 9-80
450L	≥ 4	1600	465	18	25	230	1860	950	1870	665	EFZLB11-125	EFZLQ9-100
500L	2	1800	495	16	35	330	2060	995	2045	765	EFNLB11-90	EFNLB11-90
500L	4	1800	495	20	35	330	2060	1110	2160	765	EFZLB14-125	EFZLQ11-125
500L	≥ 6	1800	495	20	35	330	2060	1110	2160	765	EFZLB14-140	EFZLQ11-125
560L	2	2230	400	20	65.5	75	2465	865	2535	798	EMZLB14-140	EMZLB14-140
560L	4	2230	400	22	65.5	75	2465	1015	2685	798	EFNLB18-160	EFNLQ18-160
630L	2	2470	400	22	65.5	225	2695	915	2825	948	EMZLB14-160	EMZLB14-160
630L	4	2470	400	25	65.5	225	2715	1015	2925	948	EFNLB18-160	EFNLQ18-160

Note: Axial float of rotor as standard ±8 mm.

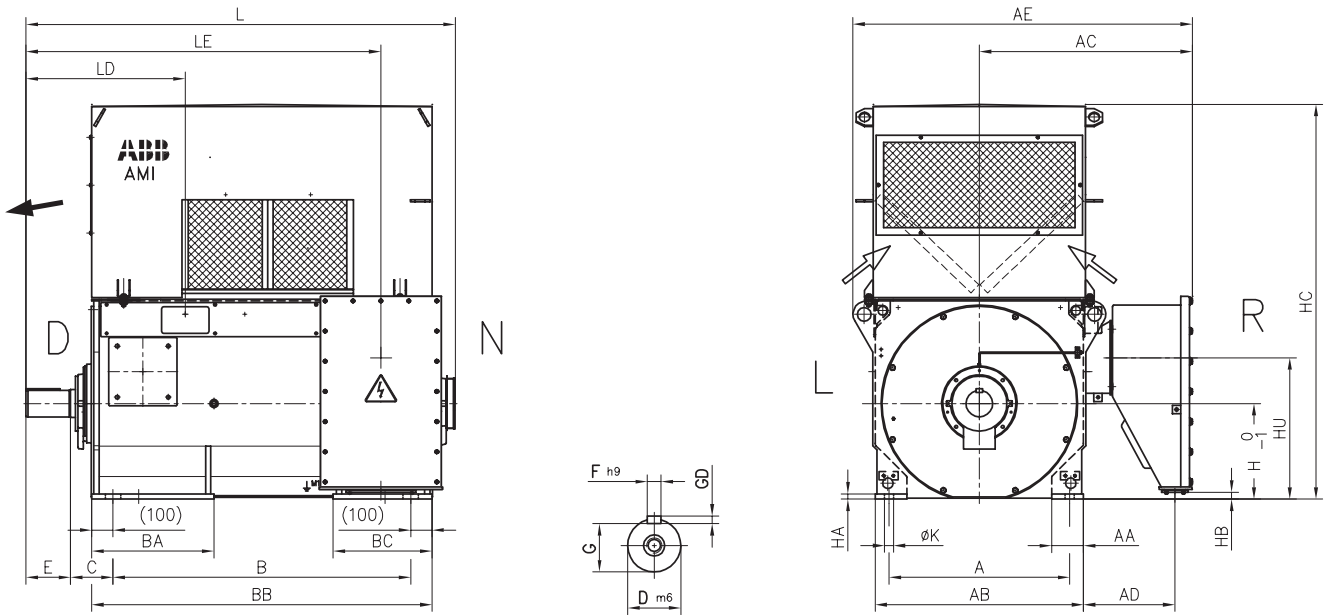
Note: The bearing cannot withstand continuous axial forces.

Table gives main dimensions in mm.

Modular induction motors, type AMI

Dimension drawings

Antifriction bearings, 6.6 < UN ≤ 11 kV, IM 1001, IC01 / IP24W



AMI	Poles	A	B	C	D	E	F	G	H	K	L	AA	AB	AC	AD
450L	2	850	1400	200	90	170	25	81	450	42	1975	150	980	1005	430
450L	≥ 4	850	1400	200	125	210	32	114	450	42	2025	150	980	1005	430
500L	≥ 4	950	1600	200	140	250	36	128	500	42	2265	150	1080	1055	430
560L	≥ 6	1180	2000	250	180	300	45	165	560	42	2750	200	1320	1285	540
630L	≥ 6	1400	2240	250	200	350	45	185	630	42	3035	200	1500	1375	540

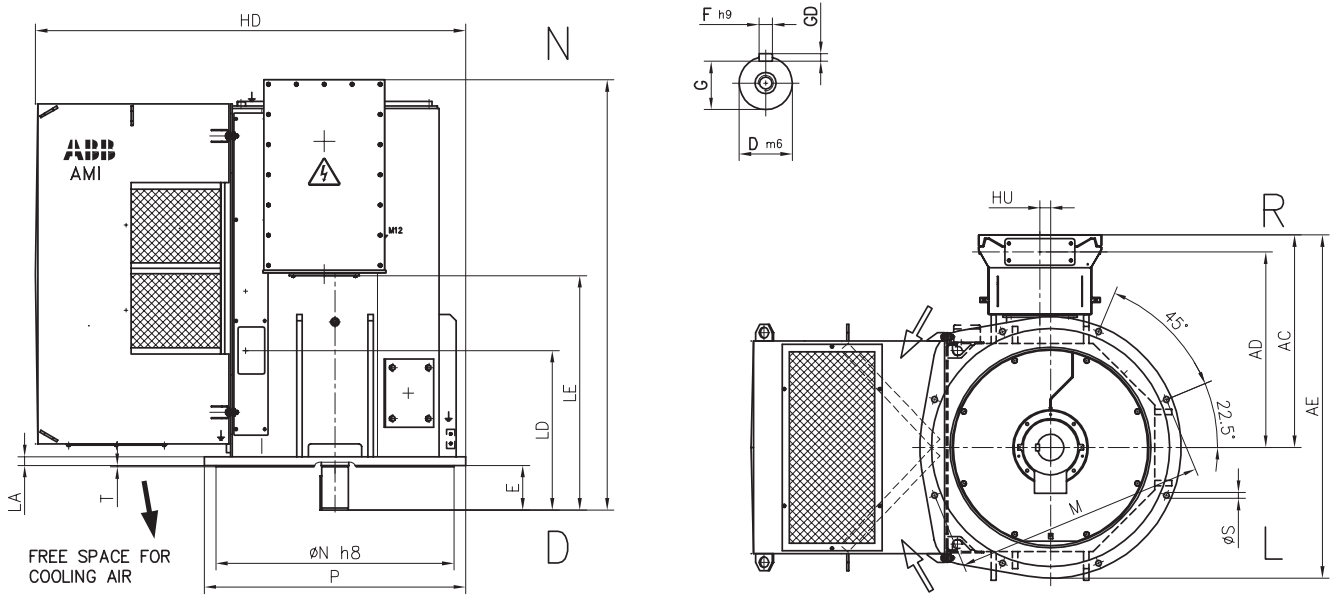
AMI	Poles	AE	BA	BB	BC	GD	HA	HB	HC	LD	LE	HU	D-end bearing	N-end bearing
450L	2	1600	575	1600	465	14	25	35	1860	710	1630	665	6319M/C3	6319M/C3
450L	≥ 4	1600	575	1600	465	18	25	35	1860	750	1670	665	6326/C3	6322/C3
500L	≥ 4	1700	645	1800	495	20	35	135	2060	860	1910	765	6330/C3	6324/C3
560L	≥ 6	2125	400	2230	400	25	65.5	165	2465	765	2435	798	6038/C3+NU1038/C3	NU1038/C3
630L	≥ 6	2305	400	2470	400	25	65.5	315	2715	815	2725	948	6044/C3+NU1044/C3	NU1044/C3

Table gives main dimensions in mm.

Modular induction motors, type AMI

Dimension drawings

Antifriction bearings, $6.6 < UN \leq 11$ kV, IM 4011, IC01 / IP24W



AMI	Poles	M	N	P	S	D	E	F	G	HD	L	LA	LD	LE
450L	≥ 4	1180	1120h8	1230	28	125	210	32	114	2025	2030	40	750	1100
500L	≥ 4	1320	1250h8	1370	28	140	250	36	128	2245	2270	47	860	1340
560L	4	1500	1400 h8	1600	28	160	300	40	147	2705	2870	65	1205	1880
560L	≥ 6	1500	1400 h8	1600	28	180	300	45	165	2705	2870	65	1205	1880
630L	4	1700	1600 h8	1800	28	180	300	45	165	2985	3125	65	1205	2120
630L	≥ 6	1700	1600 h8	1800	28	200	350	45	185	2985	3175	65	1255	2170

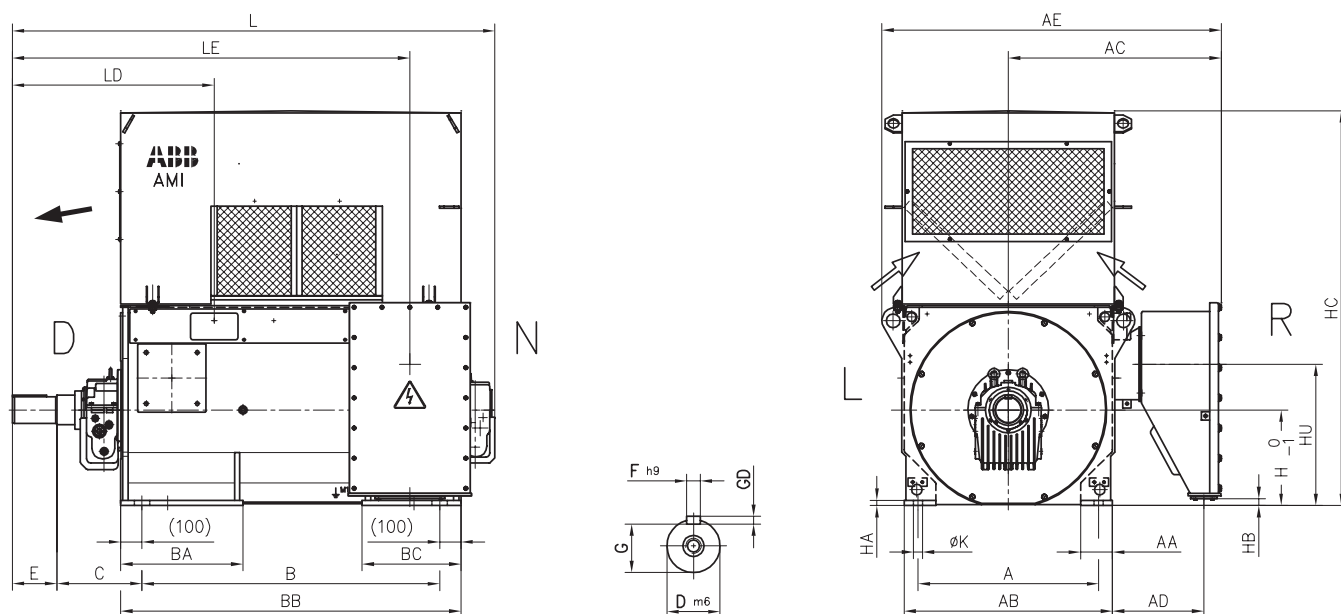
AMI	Poles	T	AC	AD	AE	GD	HU	D-end bearing	N-end bearing
450L	≥ 4	7	1000	920	1620	18	50	6326/C3	7322B
500L	≥ 4	8	1050	970	1740	20	50	6330/C3	7324B
560L	4	10	1340	1215	2140	22	35	6038/C3	7330 B
560L	≥ 6	10	1340	1215	2140	25	40	6038/C3	7330 B
630L	4	10	1445	1315	2345	25	35	6044/C3	7334 B
630L	≥ 6	10	1445	1315	2345	25	35	6044/C3	7334 B

Table gives main dimensions in mm.

Modular induction motors, type AMI

Dimension drawings

Sleeve bearings, 6.6 < UN ≤ 11 kV, IM 1001, IC01 / IP24W



AMI	Poles	A	B	C	D	E	F	G	H	K	L	AA	AB	AC	AD	AE	BA
450L	2	850	1400	375	90	170	25	81	450	42	2215	150	980	1005	430	1600	575
450L	≥ 4	850	1400	400	125	210	32	114	450	42	2275	150	980	1005	430	1600	575
500L	2	950	1600	375	110	210	28	100	500	42	2485	150	1080	1055	430	1700	645
500L	≥ 4	950	1600	450	140	250	36	128	500	42	2595	150	1080	1055	430	1700	645
560L	2	1180	2000	400	140	250	36	128	560	42	2910	200	1320	1285	540	2680	400
560L	4	1180	2000	500	160	300	40	147	560	42	3190	200	1320	1285	540	2125	400
630L	2	1400	2240	400	160	300	40	147	630	42	3165	200	1500	1375	540	2875	400
630L	4	1400	2240	500	180	300	45	165	630	42	3430	200	1500	1375	540	2305	400

AMI	Poles	BB	BC	GD	HA	HB	HC	LD	LE	HU	D-end bearing	N-end bearing
450L	2	1600	465	14	25	35	1860	885	1805	665	EFZLB9-80	EFZLQ 9-80
450L	≥ 4	1600	465	18	25	35	1860	950	1870	665	EFZLB11-125	EFZLQ9-100
500L	2	1800	495	16	35	135	2060	995	2045	765	EFNLB11-90	EFNLB11-90
500L	4	1800	495	20	35	135	2060	1110	2160	765	EFZLB14-125	EFZLQ11-125
500L	≥ 6	1800	495	20	35	135	2060	1110	2160	765	EFZLB14-140	EFZLQ11-125
560L	2	2230	400	20	65.5	165	2465	865	2535	798	EMZLB14-140	EMZLB14-140
560L	4	2230	400	22	65.5	165	2465	1015	2685	798	EFNLB18-160	EFNLQ18-160
630L	2	2470	400	22	65.5	315	2695	915	2825	948	EMZLB14-160	EMZLB14-160
630L	4	2470	400	25	65.5	315	2715	1015	2925	948	EFNLB18-160	EFNLQ18-160

Note: Axial float of rotor as standard ±8 mm.

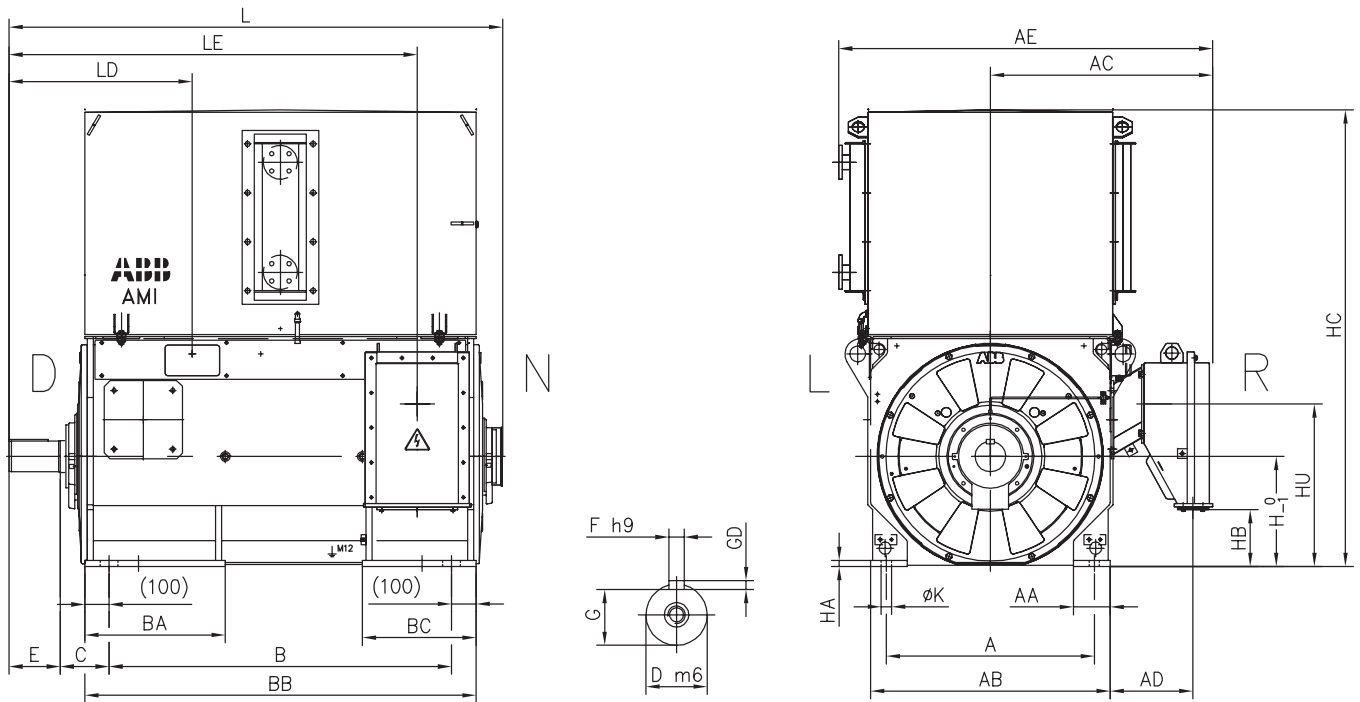
Note: The bearing cannot withstand continuous axial forces.

Table gives main dimensions in mm.

Modular induction motors, type AMI

Dimension drawings

Antifriction bearings, $1 < UN \leq 6.6$ kV, IM 1001, IC81W / IP55



AMI	Poles	A	B	C	D	E	F	G	H	K	L	AA	AB	AC	AD
400L	2	750	1250	200	85	170	22	76	400	35	1825	150	880	855	335
400L	≥ 4	750	1250	200	110	210	28	100	400	35	1865	150	880	855	335
450L	2	850	1400	200	90	170	25	81	450	42	1975	150	980	905	335
450L	≥ 4	850	1400	200	125	210	32	114	450	42	2025	150	980	905	335
500L	≥ 4	950	1600	200	140	250	36	128	500	42	2265	150	1080	955	335
560L	≥ 6	1180	2000	250	180	300	45	165	560	42	2810	200	1320	1285	545
630L	≥ 6	1400	2240	250	200	350	45	185	630	42	3100	200	1500	1375	545

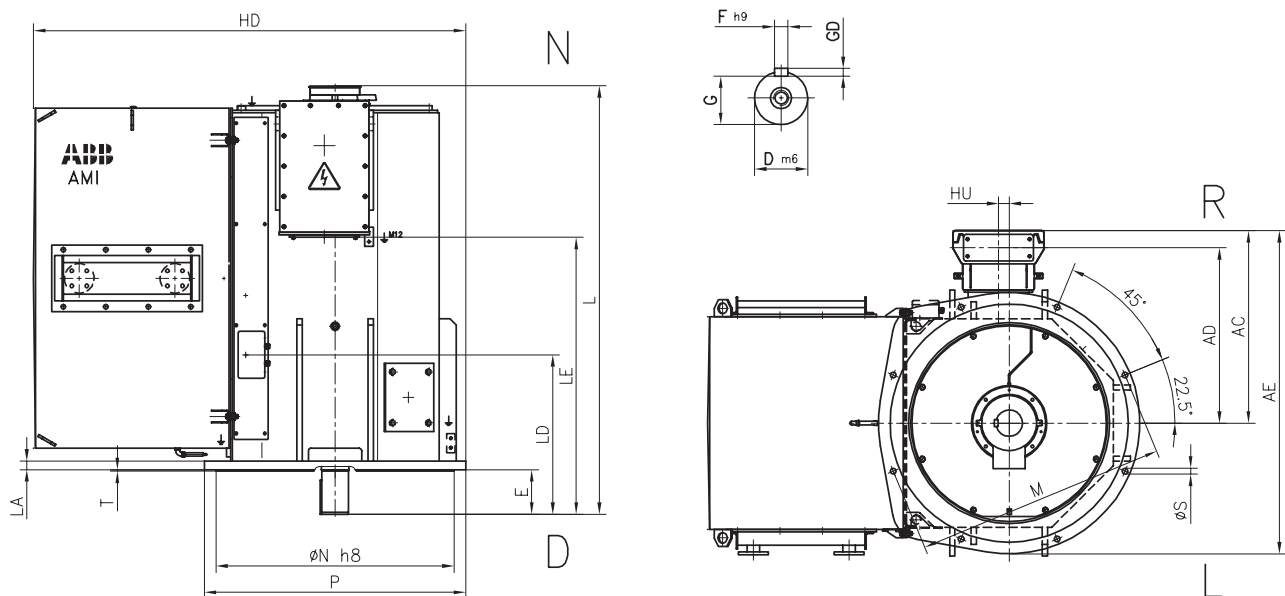
AMI	Poles	AE	BA	BB	BC	GD	HA	HB	HC	LD	LE	HU	D-end bearing	N-end bearing
400L	2	1400	545	1450	445	14	20	130	1670	615	1480	565	6319M/C3	6319M/C3
400L	≥ 4	1400	545	1450	445	16	20	130	1670	655	1520	565	6324/C3	6319/C3
450L	2	1500	575	1600	465	14	25	230	1870	710	1630	665	6319M/C3	6319M/C3
450L	≥ 4	1500	575	1600	465	18	25	230	1870	750	1670	665	6326/C3	6322/C3
500L	≥ 4	1605	645	1800	495	20	35	330	2070	860	1910	765	6330/C3	6324/C3
560L	≥ 6	2125	400	2230	400	25	65.5	75	2095	765	2435	798	6038/C3+NU1038/C3	NU1038/C3
630L	≥ 6	2305	400	2470	400	25	65.5	225	2335	815	2725	948	6044/C3+NU1044/C3	NU1044/C3

Table gives main dimensions in mm.

Modular induction motors, type AMI

Dimension drawings

Antifriction bearings, $1 < UN \leq 6.6$ kV, IM 4011, IC81W / IP55



AMI	Poles	M	N	P	S	D	E	F	G	HD	L	LA	LD	LE
400L	≥ 4	1080	1000js6	1130	28	110	210	28	100	1835	1860	30	655	1150
450L	≥ 4	1180	1120h8	1230	28	125	210	32	114	2035	2020	40	750	1300
500L	≥ 4	1320	1250h8	1370	28	140	250	36	128	2255	2260	47	860	1540
560L	4	1500	1400h8	1600	28	160	300	40	147	2335	2870	65	1205	1790
560L	≥ 6	1500	1400h8	1600	28	180	300	45	165	2335	2870	65	1205	1790
630L	4	1700	1600h8	1800	28	180	300	45	165	2605	3120	65	1205	2030
630L	≥ 6	1700	1600h8	1800	28	200	350	45	185	2605	3170	65	1255	2080

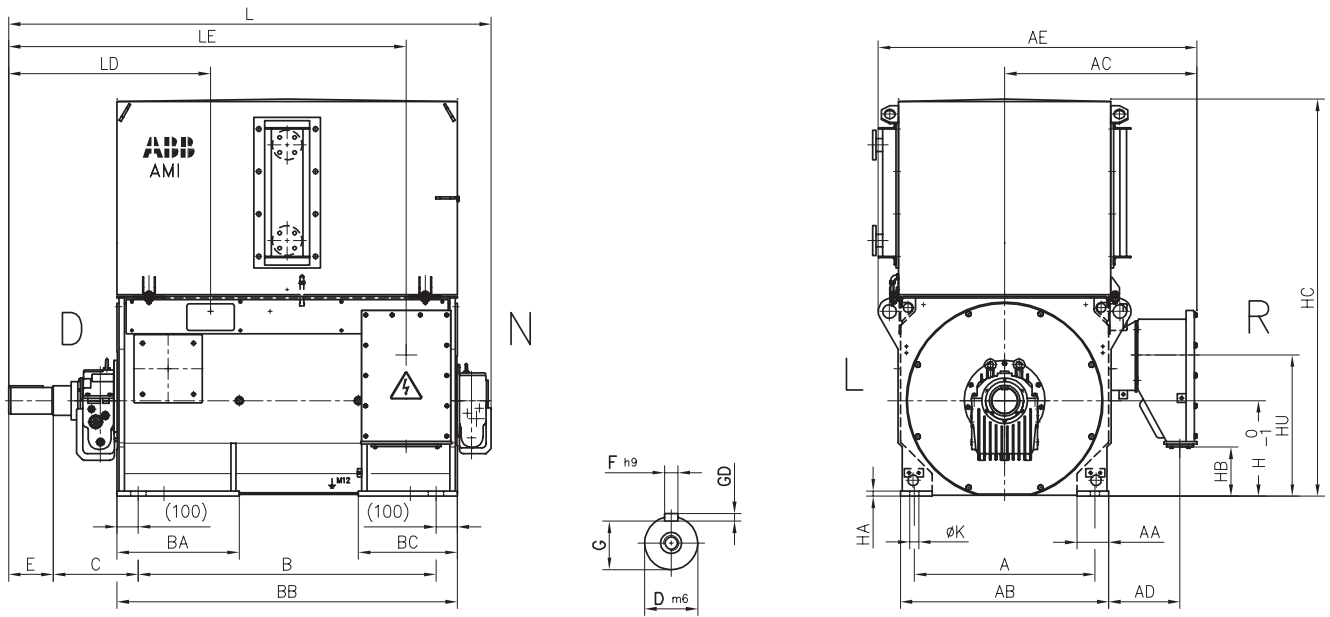
AMI	Poles	T	AC	AD	AE	GD	HU	D-end bearing	N-end bearing
400L	≥ 4	6	855	775	1425	16	50	6324/C3	7319B
450L	≥ 4	7	905	825	1525	18	50	6326/C3	7322B
500L	≥ 4	8	955	875	1645	20	50	6330/C3	7324B
560L	4	10	1360	1215	2160	22	40	6038/C3	7330 B
560L	≥ 6	10	1360	1215	2160	25	40	6038/C3	7330 B
630L	4	10	1455	1310	2355	25	40	6044/C3	7334 B
630L	≥ 6	10	1455	1310	2355	25	40	6044/C3	7334 B

Table gives main dimensions in mm.

Modular induction motors, type AMI

Dimension drawings

Sleeve bearings, 1 < UN ≤ 6.6 kV, IM 1001, IC81W / IP55



AMI	Poles	A	B	C	D	E	F	G	H	K	L	AA	AB	AC	AD	AE	BA
400L	2	750	1250	375	85	170	22	76	400	35	2065	150	880	855	335	1400	545
400L	≥ 4	750	1250	375	110	210	28	100	400	35	2100	150	880	855	335	1400	545
450L	2	850	1400	375	90	170	25	81	450	42	2215	150	980	905	335	1500	575
450L	≥ 4	850	1400	400	125	210	32	114	450	42	2275	150	980	905	335	1500	575
500L	2	950	1600	375	110	210	28	100	500	42	2485	150	1080	955	335	1605	645
500L	≥ 4	950	1600	450	140	250	36	128	500	42	2595	150	1080	955	335	1605	645
560L	2	1180	2000	400	140	250	36	128	560	42	2910	200	1320	1285	545	2125	400
560L	4	1180	2000	500	160	300	40	147	560	42	3190	200	1320	1285	545	2125	400
630L	2	1400	2240	400	160	300	40	147	630	42	3200	200	1500	1375	545	2305	400
630L	4	1400	2240	500	180	300	45	165	630	42	3430	200	1500	1375	545	2305	400

AMI	Poles	BB	BC	GD	HA	HB	HC	LD	LE	HU	D-end bearing	N-end bearing
400L	2	1450	445	14	20	130	1670	790	1655	565	EFZLB9-80	EFZLQ9-80
400L	≥ 4	1450	445	16	20	130	1670	830	1695	565	EFZLB9-100	EFZLQ 9-100
450L	2	1600	465	14	25	230	1870	885	1805	665	EFZLB9-80	EFZLQ 9-80
450L	≥ 4	1600	465	18	25	230	1870	950	1870	665	EFZLB11-125	EFZLQ9-100
500L	2	1800	495	16	35	330	2070	995	2045	765	EFNLB11-90	EFNLB11-90
500L	4	1800	495	20	35	330	2070	1110	2160	765	EFZLB14-125	EFZLQ11-125
500L	≥ 6	1800	495	20	35	330	2070	1110	2160	765	EFZLB14-140	EFZLQ11-125
560L	2	2230	400	20	65.5	75	2345	865	2535	798	EMZLB14-140	EMZLB14-140
560L	4	2230	400	22	65.5	75	2095	1015	2685	798	EFNLB18-160	EFNLQ18-160
630L	2	2470	400	22	65.5	225	2495	915	2825	948	EMZLB14-160	EMZLB14-160
630L	4	2470	400	25	65.5	225	2335	1015	2925	948	EFNLB18-160	EFNLQ18-160

Note: Axial float of rotor as standard ±8 mm.

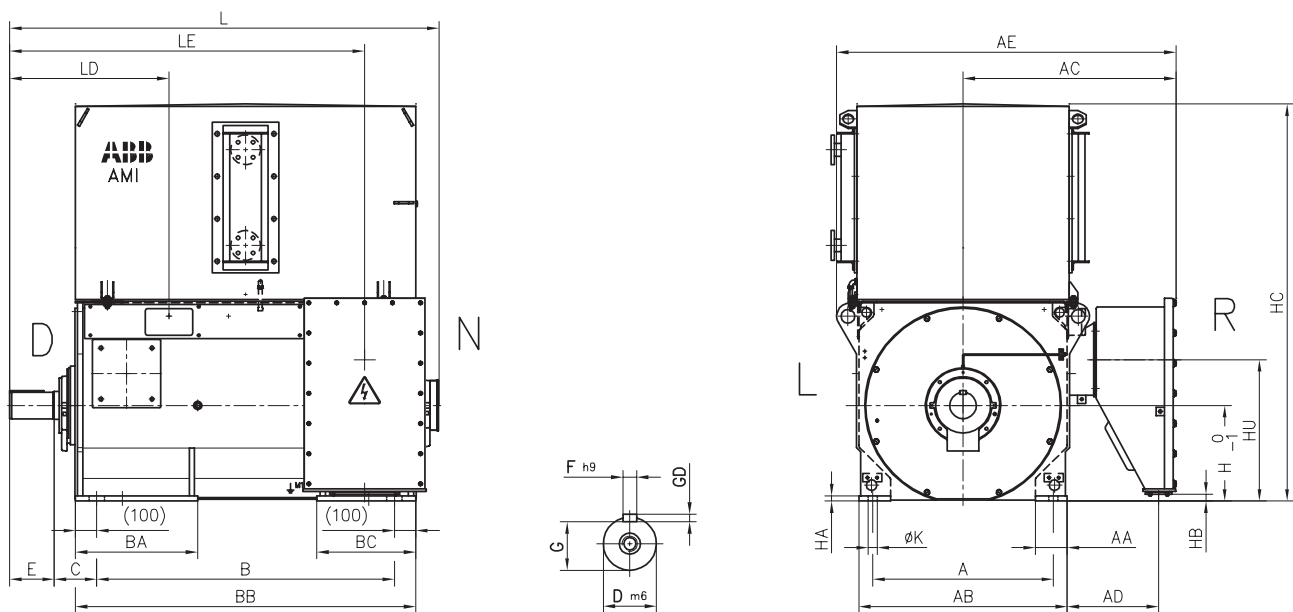
Note: The bearing cannot withstand continuous axial forces.

Table gives main dimensions in mm.

Modular induction motors, type AMI

Dimension drawings

Antifriction bearings, $6.6 < UN \leq 11$ kV, IM 1001, IC81W / IP55



AMI	Poles	A	B	C	D	E	F	G	H	K	L	AA	AB	AC	AD
450L	2	850	1400	200	90	170	25	81	450	42	1975	150	980	1005	430
450L	≥ 4	850	1400	200	125	210	32	114	450	42	2025	150	980	1005	430
500L	≥ 4	950	1600	200	140	250	36	128	500	42	2265	150	1080	1055	430
560L	≥ 6	1180	2000	250	180	300	45	165	560	42	2750	200	1320	1285	540
630L	≥ 6	1400	2240	250	200	350	45	185	630	42	3035	200	1500	1375	540

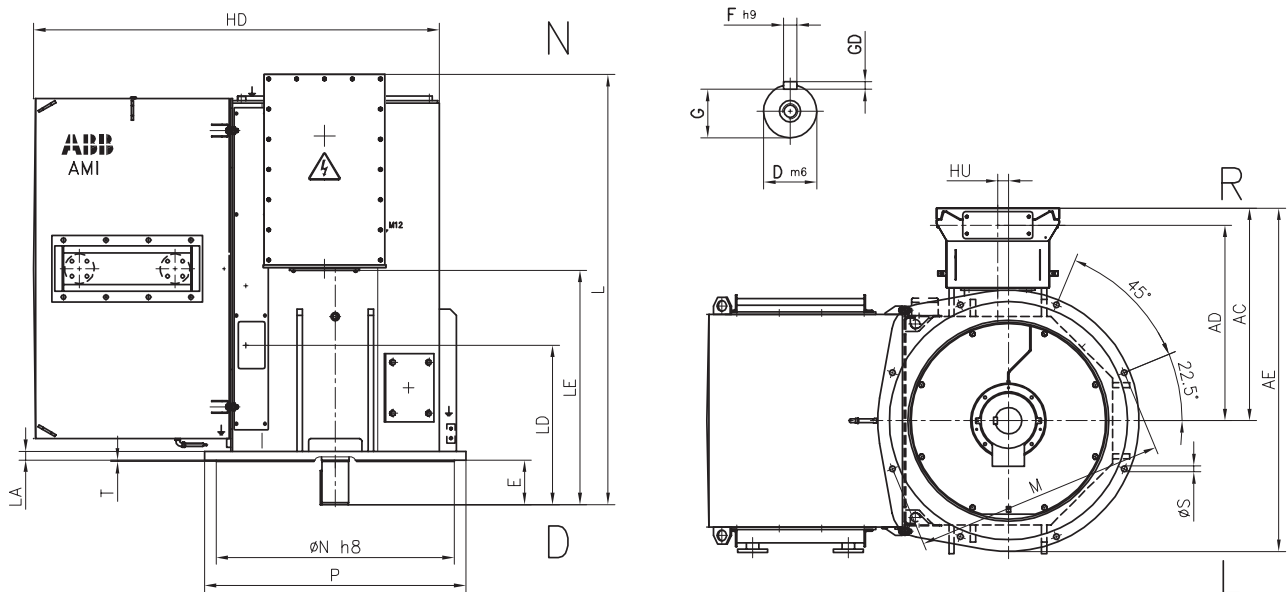
AMI	Poles	AE	BA	BB	BC	GD	HA	HB	HC	LD	LE	HU	D-end bearing	N-end bearing
450L	2	1600	575	1600	465	14	25	35	1870	710	1630	665	6319M/C3	6319M/C3
450L	≥ 4	1600	575	1600	465	18	25	35	1870	750	1670	665	6326/C3	6322/C3
500L	≥ 4	1700	645	1800	495	20	35	135	2070	860	1910	765	6330/C3	6324/C3
560L	≥ 6	2125	400	2230	400	25	65.5	165	2095	765	2435	798	6038/C3+NU1038/C3	NU1038/C3
630L	≥ 6	2305	400	2470	400	25	65.5	315	2335	815	2725	948	6044/C3+NU1044/C3	NU1044/C3

Table gives main dimensions in mm.

Modular induction motors, type AMI

Dimension drawings

Antifriction bearings, $6.6 < UN \leq 11$ kV, IM 4011, IC81W / IP55



AMI	Poles	M	N	P	S	D	E	F	G	HD	L	LA	LD	LE
450L	≥ 4	1180	1120h8	1230	28	125	210	32	114	2035	2030	40	750	1100
500L	≥ 4	1320	1250h8	1370	28	140	250	36	128	2255	2270	47	860	1340
560L	4	1500	1400 h8	1600	28	160	300	40	147	2335	2840	65	1205	1880
560L	≥ 6	1500	1400 h8	1600	28	180	300	45	165	2335	2840	65	1205	1880
630L	4	1700	1600 h8	1800	28	180	300	45	165	2605	3120	65	1205	2120
630L	≥ 6	1700	1600 h8	1800	28	200	350	45	185	2605	3170	65	1255	2170

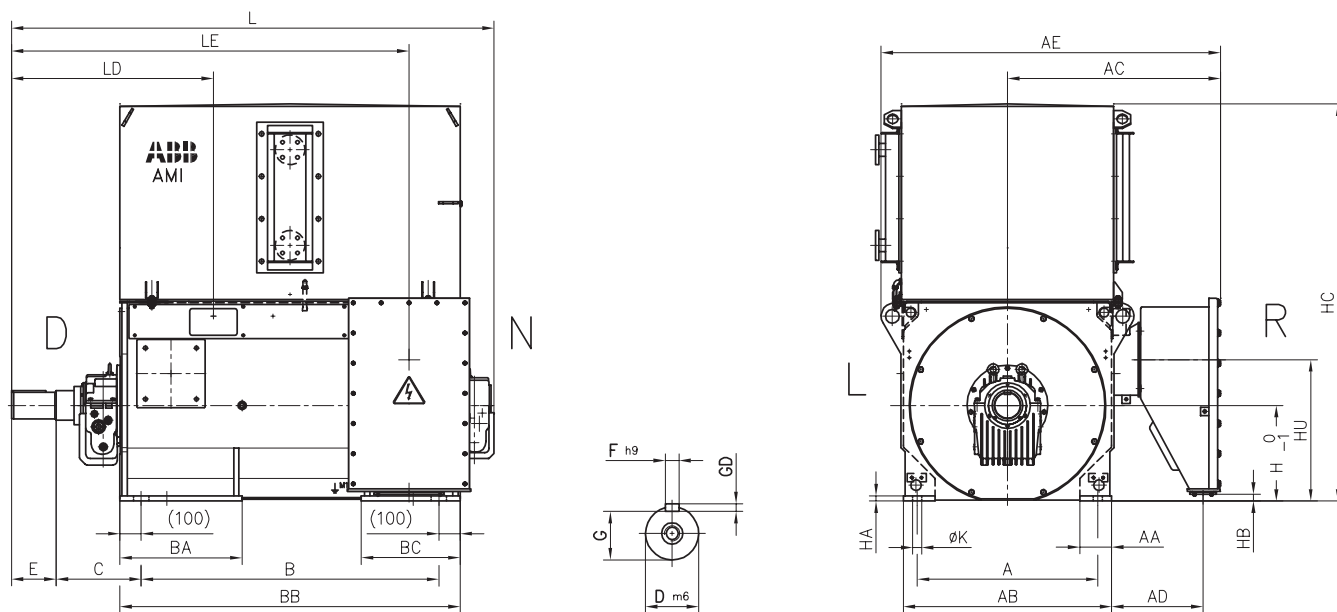
AMI	Poles	T	AC	AD	AE	GD	HU	D-end bearing	N-end bearing
450L	≥ 4	7	1000	920	1620	18	50	6326/C3	7322B
500L	≥ 4	8	1050	970	1740	20	50	6330/C3	7324B
560L	4	10	1350	1210	2150	22	40	6038/C3	7330 B
560L	≥ 6	10	1350	1220	2150	25	40	6038/C3	7330 B
630L	4	10	1440	1315	2345	25	35	6044/C3	7334 B
630L	≥ 6	10	1445	1315	2345	25	35	6044/C3	7334 B

Table gives main dimensions in mm.

Modular induction motors, type AMI

Dimension drawings

Sleeve bearings, $6.6 < UN \leq 11$ kV, IM 1001, IC81W / IP55



AMI	Poles	A	B	C	D	E	F	G	H	K	L	AA	AB	AC	AD	AE	BA
450L	2	850	1400	375	90	170	25	81	450	42	2215	150	980	1005	430	1600	575
450L	≥ 4	850	1400	400	125	210	32	114	450	42	2275	150	980	1005	430	1600	575
500L	2	950	1600	375	110	210	28	100	500	42	2485	150	1080	1055	430	1700	645
500L	≥ 4	950	1600	450	140	250	36	128	500	42	2595	150	1080	1055	430	1700	645
560L	2	1180	2000	400	140	250	36	128	560	42	2910	200	1320	1285	540	2125	400
560L	4	1180	2000	500	160	300	40	147	560	42	3190	200	1320	1285	540	2125	400
630L	2	1400	2240	400	160	300	40	147	630	42	3165	200	1500	1375	540	2305	400
630L	4	1400	2240	500	180	300	45	165	630	42	3430	200	1500	1375	540	2305	400

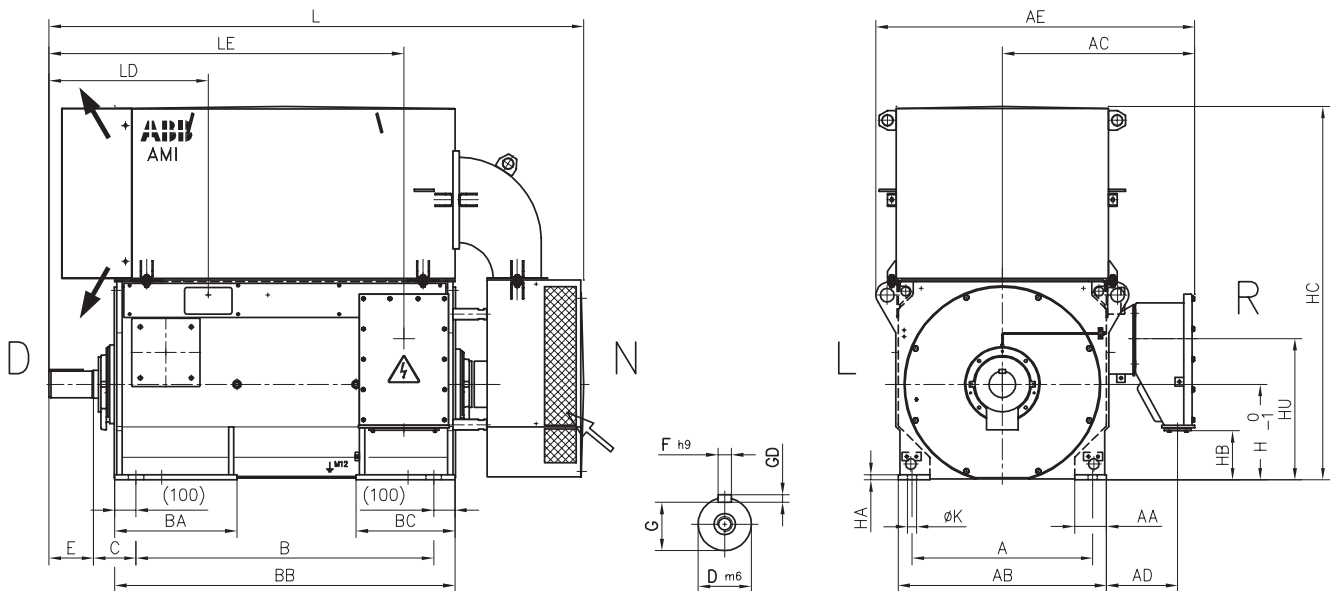
AMI	Poles	BB	BC	GD	HA	HB	HC	LD	LE	HU	D-end bearing	N-end bearing
450L	2	1600	465	14	25	35	1870	885	1805	665	EFZLB9-80	EFZLQ 9-80
450L	≥ 4	1600	465	18	25	35	1870	950	1870	665	EFZLB11-125	EFZLQ9-100
500L	2	1800	495	16	35	135	2070	995	2045	765	EFNLB11-90	EFNLB11-90
500L	4	1800	495	20	35	135	2070	1110	2160	765	EFZLB14-125	EFZLQ11-125
500L	≥ 6	1800	495	20	35	135	2070	1110	2160	765	EFZLB14-140	EFZLQ11-125
560L	2	2230	400	20	65.5	165	2345	865	2535	798	EMZLB14-140	EMZLB14-140
560L	4	2230	400	22	65.5	165	2095	1015	2685	798	EFNLB18-160	EFNLQ18-160
630L	2	2470	400	22	65.5	315	2495	915	2825	948	EMZLB14-160	EMZLB14-160
630L	4	2470	400	25	65.5	315	2335	1015	2925	948	EFNLB18-160	EFNLQ18-160

Table gives main dimensions in mm.

Modular induction motors, type AMI

Dimension drawings

Antifriction bearings, $1 < UN \leq 6.6$ kV, IM 1001, IC611 / IP55



AMI	Poles	A	B	C	D	E	F	G	H	K	L	AA	AB	AC	AD
400L	2	750	1250	200	85	170	22	76	400	35	2290	150	880	855	335
400L	≥ 4	750	1250	200	110	210	28	100	400	35	2330	150	880	855	335
450L	2	850	1400	200	90	170	25	81	450	42	2480	150	980	905	335
450L	≥ 4	850	1400	200	125	210	32	114	450	42	2520	150	980	905	335
500L	≥ 4	950	1600	200	140	250	36	128	500	42	2830	150	1080	955	335
560L	≥ 6	1180	2000	250	180	300	45	165	560	42	3395	200	1320	1285	545
630L	≥ 6	1400	2240	250	200	350	45	185	630	42	3685	200	1500	1375	545

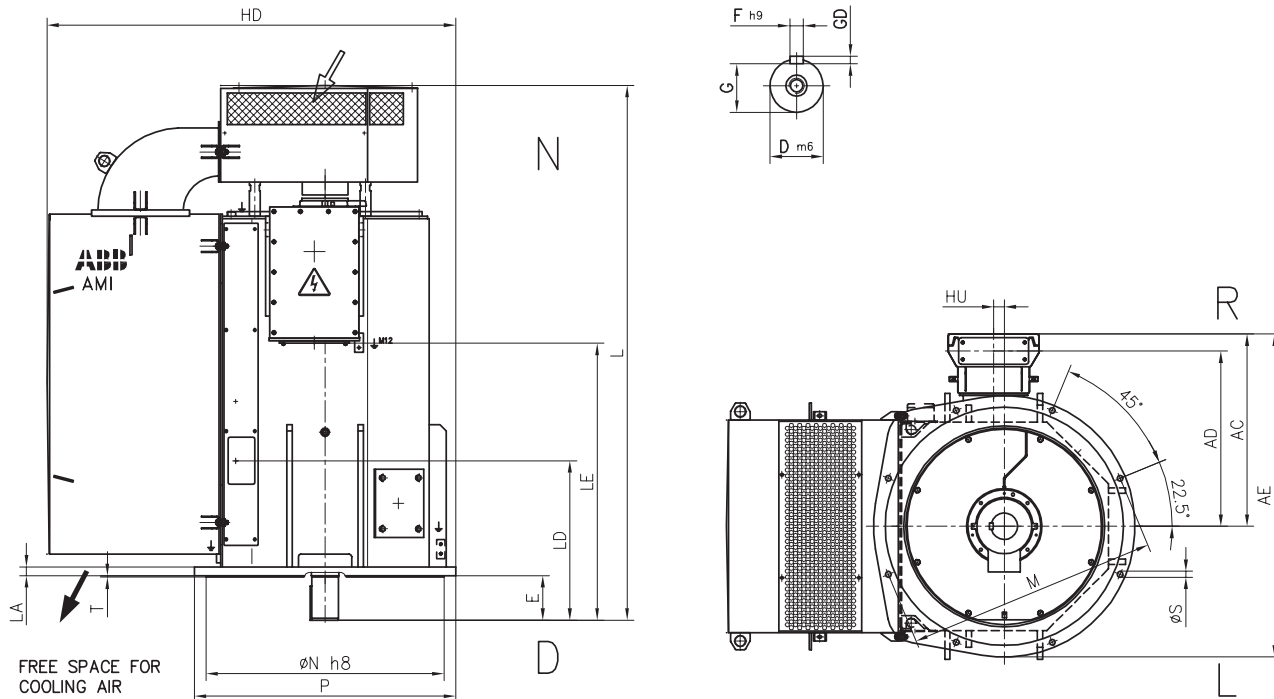
AMI	Poles	AE	BA	BB	BC	GD	HA	HB	HC	LD	LE	HU	D-end bearing	N-end bearing
400L	2	1400	545	1450	445	14	20	130	1590	615	1480	565	6319M/C3	6319M/C3
400L	≥ 4	1400	545	1450	445	16	20	130	1590	655	1520	565	6324/C3	6319/C3
450L	2	1500	575	1600	465	14	25	230	1760	710	1630	665	6319M/C3	6319M/C3
450L	≥ 4	1500	575	1600	465	18	25	230	1760	750	1670	665	6326/C3	6322/C3
500L	≥ 4	1605	645	1800	495	20	35	330	1960	860	1910	765	6330/C3	6324/C3
560L	≥ 6	2125	400	2230	400	25	65.5	75	2100	765	2435	798	6038/C3+NU1038/C3	NU1038/C3
630L	≥ 6	2305	400	2470	400	25	65.5	225	2320	815	2725	948	6044/C3+NU1044/C3	NU1044/C3

Table gives main dimensions in mm.

Modular induction motors, type AMI

Dimension drawings

Antifriction bearings, 1 < UN ≤ 6.6 kV, IM 4011, IC611 / IP55



AMI	Poles	M	N	P	S	D	E	F	G	HD	L	LA	LD	LE
400L	≥ 4	1080	1000js6	1130	28	110	210	28	100	1755	2330	30	655	1150
450L	≥ 4	1180	1120h8	1230	28	125	210	32	114	1925	2520	40	750	1300
500L	≥ 4	1320	1250h8	1370	28	140	250	36	128	2145	2830	47	860	1540
560L	4	1500	1400 h8	1600	28	160	300	40	147	2340	3475	65	1205	1790
560L	≥ 6	1500	1400 h8	1600	28	180	300	45	165	2340	3475	65	1205	1790
630L	4	1700	1600 h8	1800	28	180	300	45	165	2590	3715	65	1205	2030
630L	≥ 6	1700	1600 h8	1800	28	200	350	45	185	2590	3765	65	1255	2080

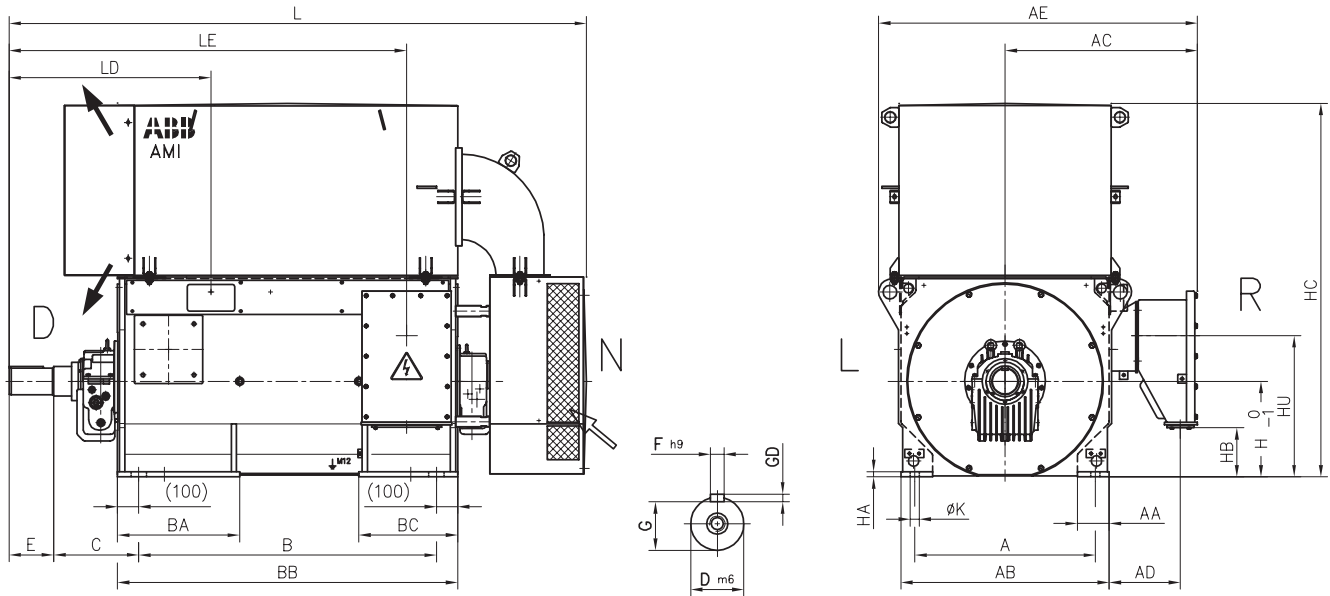
AMI	Poles	T	AC	AD	AE	GD	HU	D-end bearing	N-end bearing
400L	≥ 4	6	855	775	1425	16	50	6324/C3	7319B
450L	≥ 4	7	905	825	1525	18	50	6326/C3	7322B
500L	≥ 4	8	955	875	1645	20	50	6330/C3	7324B
560L	4	10	1360	1215	2160	22	40	6038/C3	7330 B
560L	≥ 6	10	1360	1215	2160	25	40	6038/C3	7330 B
630L	4	10	1455	1310	2355	25	40	6044/C3	7334 B
630L	≥ 6	10	1455	1310	2355	25	40	6044/C3	7334 B

Table gives main dimensions in mm.

Modular induction motors, type AMI

Dimension drawings

Sleeve bearings, 1 < UN ≤ 6.6 kV, IM 1001, IC611 / IP55



AMI	Poles	A	B	C	D	E	F	G	H	K	L	AA	AB	AC	AD	AE	BA
400L	2	750	1250	375	85	170	22	76	400	35	2465	150	880	855	335	1400	545
400L	≥ 4	750	1250	375	110	210	28	100	400	35	2505	150	880	855	335	1400	545
450L	2	850	1400	375	90	170	25	81	450	42	2655	150	980	905	335	1500	575
450L	≥ 4	850	1400	400	125	210	32	114	450	42	2720	150	980	905	335	1500	575
500L	2	950	1600	375	110	210	28	100	500	42	2965	150	1080	955	335	1605	645
500L	≥ 4	950	1600	450	140	250	36	128	500	42	3080	150	1080	955	335	1605	645
560L	2	1180	2000	400	140	250	36	128	560	42	4355	200	1320	1285	545	1915	400
560L	4	1180	2000	500	160	300	40	147	560	42	3645	200	1320	1285	545	2125	400
630L	2	1400	2240	400	160	300	40	147	630	42	4675	200	1500	1375	545	2125	400
630L	4	1400	2240	500	180	300	45	165	630	42	3885	200	1500	1375	545	2305	400

AMI	Poles	BB	BC	GD	HA	HB	HC	LD	LE	HU	D-end bearing	N-end bearing
400L	2	1450	445	14	20	130	1590	790	1655	565	EFZLB9-80	EFZLQ9-80
400L	≥ 4	1450	445	16	20	130	1590	830	1695	565	EFZLB9-100	EFZLQ 9-100
450L	2	1600	465	14	25	230	1760	885	1805	665	EFZLB9-80	EFZLQ 9-80
450L	≥ 4	1600	465	18	25	230	1760	950	1870	665	EFZLB11-125	EFZLQ9-100
500L	2	1800	495	16	35	330	1960	995	2045	765	EFZLB9-100 ¹⁾	EFZLQ9-100 ¹⁾
500L	4	1800	495	20	35	330	1960	1110	2160	765	EFZLB14-125	EFZLQ11-125
500L	≥ 6	1800	495	20	35	330	1960	1110	2160	765	EFZLB14-140	EFZLQ11-125
560L	2	2230	400	20	65.5	75	2100	865	2535	798	EMZLB14-140	EMZLB14-140
560L	4	2230	400	22	65.5	75	2100	1015	2685	798	EFNLB18-160	EFNLQ18-160
630L	2	2470	400	22	65.5	225	2320	915	2825	948	EMZLB14-160	EMZLB14-160
630L	4	2470	400	25	65.5	225	2320	1015	2925	948	EFNLB18-160	EFNLQ18-160

¹⁾ With oil circulation as standard.

Note: Axial float of rotor as standard ±8 mm.

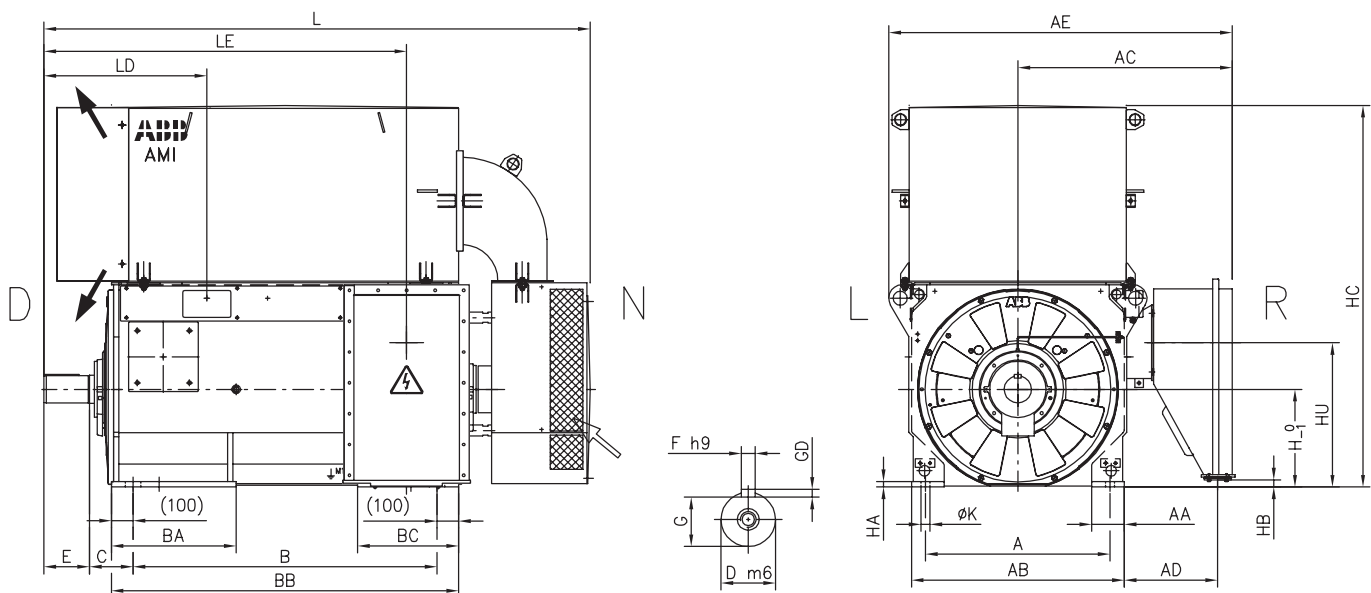
Note: The bearing cannot withstand continuous axial forces.

Table gives main dimensions in mm.

Modular induction motors, type AMI

Dimension drawings

Antifriction bearings, $6.6 < UN \leq 11$ kV, IM 1001, IC611 / IP55



AMI	Poles	A	B	C	D	E	F	G	H	K	L	AA	AB	AC	AD
450L	2	850	1400	200	90	170	25	81	450	42	2480	150	980	1005	430
450L	≥ 4	850	1400	200	125	210	32	114	450	42	2520	150	980	1005	430
500L	≥ 4	950	1600	200	140	250	36	128	500	42	2830	150	1080	1055	430
560L	≥ 6	1180	2000	250	180	300	45	165	560	42	3395	200	1320	1285	540
630L	≥ 6	1400	2240	250	200	350	45	185	630	42	3685	200	1500	1375	540

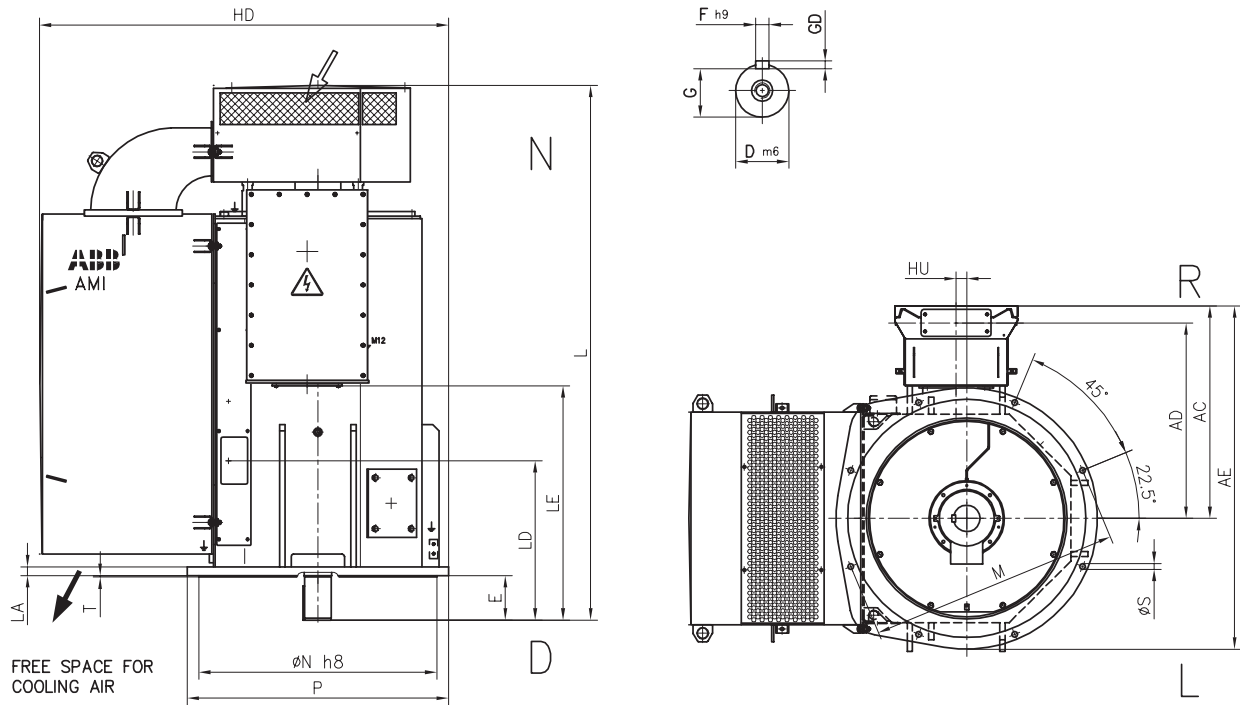
AMI	Poles	AE	BA	BB	BC	GD	HA	HB	HC	LD	LE	HU	D-end bearing	N-end bearing
450L	2	1600	575	1600	465	14	25	35	1760	710	1630	665	6319M/C3	6319M/C3
450L	≥ 4	1600	575	1600	465	18	25	35	1760	750	1670	665	6326/C3	6322/C3
500L	≥ 4	1700	645	1800	495	20	35	135	1960	860	1910	765	6330/C3	6324/C3
560L	≥ 6	2125	400	2230	400	25	65.5	165	2100	765	2435	798	6038/C3+NU1038/C3	NU1038/C3
630L	≥ 6	2305	400	2470	400	25	65.5	315	2320	815	2725	948	6044/C3+NU1044/C3	NU1044/C3

Table gives main dimensions in mm.

Modular induction motors, type AMI

Dimension drawings

Antifriction bearings, 6.6 < UN ≤ 11 kV, IM 4011, IC611 / IP55



AMI	Poles	M	N	P	S	D	E	F	G	HD	L	LA	LD	LE
450L	≥ 4	1180	1120h8	1230	28	125	210	32	114	1925	2520	40	750	1100
500L	≥ 4	1320	1250h8	1370	28	140	250	36	128	2145	2830	47	860	1340
560L	4	1500	1400 h8	1600	28	160	300	40	147	2340	3475	65	1205	1880
560L	≥ 6	1500	1400 h8	1600	28	180	300	45	165	2340	3475	65	1205	1880
630L	4	1700	1600 h8	1800	28	180	300	45	165	2590	3715	65	1205	2120
630L	≥ 6	1700	1600 h8	1800	28	200	350	45	185	2590	3765	65	1255	2170

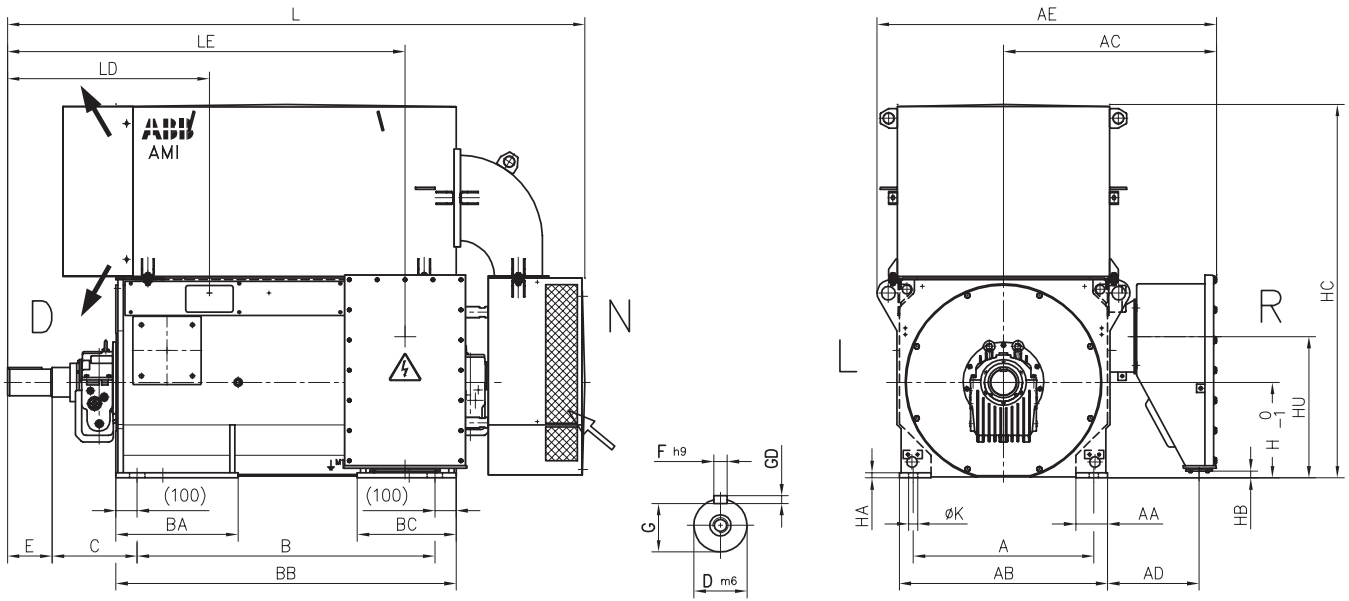
AMI	Poles	T	AC	AD	AE	GD	HU	D-end bearing	N-end bearing
450L	≥ 4	7	1000	920	1620	18	50	6326/C3	7322B
500L	≥ 4	8	1050	970	1740	20	50	6330/C3	7324B
560L	4	10	1350	1220	2150	22	40	6038/C3	7330 B
560L	≥ 6	10	1350	1220	2150	25	40	6038/C3	7330 B
630L	4	10	1445	1315	2345	25	35	6044/C3	7334 B
630L	≥ 6	10	1445	1315	2345	25	35	6044/C3	7334 B

Table gives main dimensions in mm.

Modular induction motors, type AMI

Dimension drawings

Sleeve bearings, 6.6 < UN ≤ 11 kV, IM 1001, IC611 / IP55



AMI	Poles	A	B	C	D	E	F	G	H	K	L	AA	AB	AC	AD	AE	BA
450L	2	850	1400	375	90	170	25	81	450	42	2655	150	980	1005	430	1600	575
450L	≥ 4	850	1400	400	125	210	32	114	450	42	2720	150	980	1005	430	1600	575
500L	2	950	1600	375	110	210	28	100	500	42	2965	150	1080	1055	430	1700	645
500L	≥ 4	950	1600	450	140	250	36	128	500	42	3080	150	1080	1055	430	1700	645
560L	2	1180	2000	400	140	250	36	128	560	42	4355	200	1320	1285	540	1915	400
560L	4	1180	2000	500	160	300	40	147	560	42	3645	200	1320	1285	540	2125	400
630L	2	1400	2240	400	160	300	40	147	630	42	4675	200	1500	1375	540	2125	400
630L	4	1400	2240	500	180	300	45	165	630	42	3885	200	1500	1375	540	2305	400

AMI	Poles	BB	BC	GD	HA	HB	HC	LD	LE	HU	D-end bearing	N-end bearing
450L	2	1600	465	14	25	35	1760	885	1805	665	EFZLB9-80	EFZLQ 9-80
450L	≥ 4	1600	465	18	25	35	1760	950	1870	665	EFZLB11-125	EFZLQ9-100
500L	2	1800	495	16	35	135	1960	995	2045	765	EFZLB9-100 ¹⁾	EFZLQ9-100 ¹⁾
500L	4	1800	495	20	35	135	1960	1110	2160	765	EFZLB14-125	EFZLQ11-125
500L	≥ 6	1800	495	20	35	135	1960	1110	2160	765	EFZLB14-140	EFZLQ11-125
560L	2	2230	400	20	65.5	165	2100	865	2535	798	EMZLB14-140	EMZLB14-140
560L	4	2230	400	22	65.5	165	2100	1015	2685	798	EFNLB18-160	EFNLQ18-160
630L	2	2470	400	22	65.5	315	2320	915	2825	948	EMZLB14-160	EMZLB14-160
630L	4	2470	400	25	65.5	315	2320	1015	2925	948	EFNLB18-160	EFNLQ18-160

¹⁾ With oil circulation as standard.
 Note: Axial float of rotor as standard ±8 mm.
 Note: The bearing cannot withstand continuous axial forces.

Table gives main dimensions in mm.

Rib cooled motors, type HXR 560

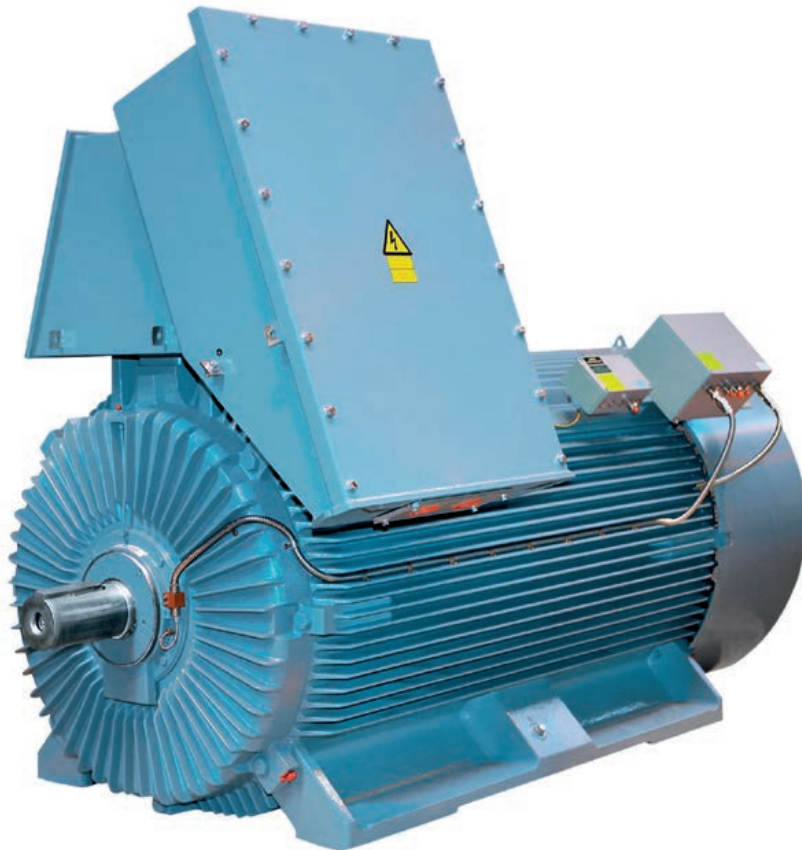
High efficiency and reliability

HXR cast iron motors offer high performance for all applications.

HXR rib cooled motors have a rugged cast iron frame. They are totally enclosed fan cooled motors with IC411 cooling and IP55 protection as standard. The motors are also available with IC416 cooling and optional IP66 protection.

HXR motors cover the output range up to 2,250 kW, and they are available in shaft height 560. The motors can be mounted horizontally or vertically.

For HXR motors this catalog shows the technical data at 50 Hz only, but the motors are operating at both 50 Hz and 60 Hz, with synchronous speed from 500 to 3600 rpm.

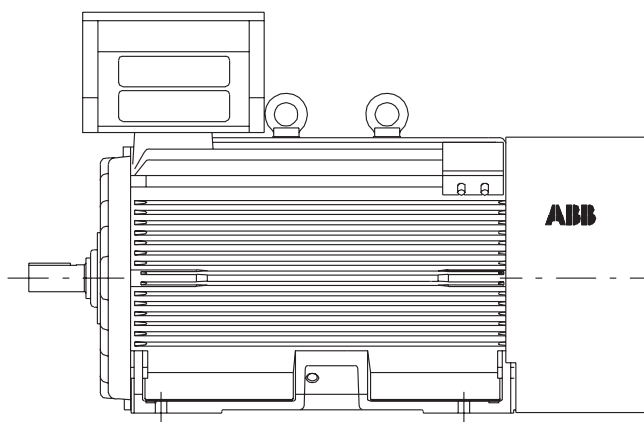


Rib cooled motors, type HXR 560

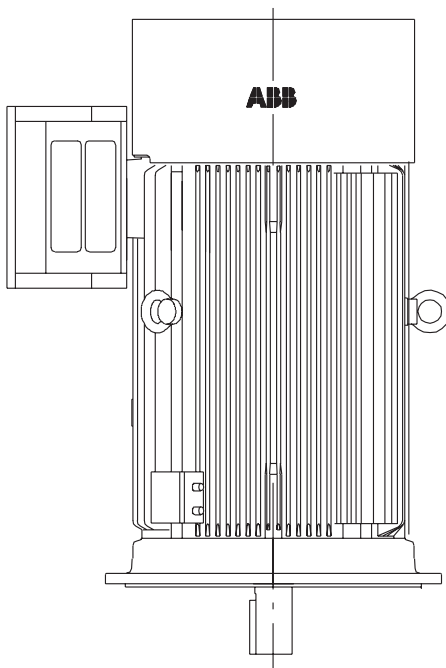
Mounting arrangements

Standard mounting arrangements for HXR motors. Other mountings available on request.

—
26
Code I: IM B3
Code II: IM 1001
Standard floor
mounting, feet facing
downwards (Horizontal
foot mounted)



—
27
Code I: IM V1
Code II: IM 3011
Flange and free shaft
end facing downwards
(Vertical solid shaft,
flange mounted)



Rib cooled motors, type HXR 560

Enclosure and cooling

Standard combinations

IC411 / IP55

HXR motors have an external shaft mounted fan that uses the surrounding air for cooling. The motors are protected against dust and water jets. The operating principle of these motors is shown in diagram 27 below.

IC416 / IP55

HXR motors are available with IC416 cooling. An additional motor drives the cooling fan to produce the cooling required for low speed applications, especially in cases where the motor is fed via a variable speed drive.

Protection rating IP55

- Protection against dust: as in other dust-protected motors, some dust can enter but not in sufficient quantities to interfere with the motor's operation.
- Protection against water jets: water projected by a nozzle against the motor from any direction has no harmful effect.

Protection rating IP66

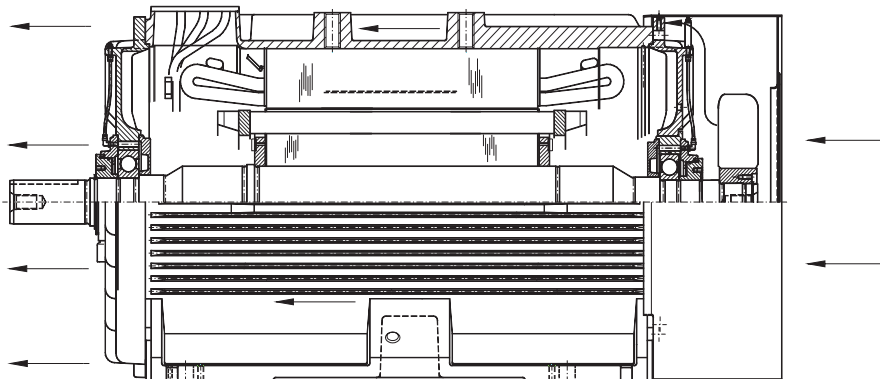
HXR motors are available with protection ratings up to IP66.

- Protection against dust: the enclosure is completely dust tight.
- Protection against water jets: water projected in powerful jets (12.5 mm nozzle) against the enclosure from any direction has no harmful effect.

Cooling method (IC411)

- Frame surface cooled: The primary coolant is circulated in a closed circuit in the motor and gives its heat through the external surface of the motor (in addition to the heat transfer via the stator core and other heat conducting parts) to the final coolant which is the surrounding medium. The surface may be plain or ribbed, with or without an outer shell to improve the heat transfer.
- Self circulation: The coolant is moved dependent on the rotational speed of the main motor either by action of the rotor alone or by means of a component designed for this purpose and mounted directly on the rotor of the main motor, or by a fan or pump unit mechanically driven by the rotor or the main motor.

28 Sectional drawing of IC411 / IP55 motor



Rib cooled motors, type HXR 560

Technical data

IP55, IC411, insulation class F, temperature rise class B
3000 V, 50 Hz

Output (kW)	Motor type	Product ID	Speed (r/min)	Efficiency		Power factor		Current			Torque			Rotor inertia (kgm ²)	Motor weight (kg)	Sound pressure level L_p (dB(A))
				Full load 100%	3/4 load 75%	Full load 100%	3/4 load 75%	I_N (A)	I_S (pu)	I_0 (A)	T_N (Nm)	T_S (pu)	T_{max} (pu)			
3000 r/min = 2 poles				3000 V 50 Hz												
1400	HXR 560LM2	704	2989	97.4	97.2	0.92	0.90	302	7.3	70	4473	0.6	2.9	43.7	9830	87
1600	HXR 560LR2	705	2990	97.6	97.4	0.93	0.92	341	7.3	72	5111	0.6	2.9	50.7	10810	87
1730	HXR 560LS2	706	2991	97.6	97.5	0.92	0.90	372	7.6	84	5524	0.6	3.0	55.5	11380	87

IP55, IC411, insulation class F, temperature rise class B
3000 V, 50 Hz

Output (kW)	Motor type	Product ID	Speed (r/min)	Efficiency		Power factor		Current			Torque			Rotor inertia (kgm ²)	Motor weight (kg)	Sound pressure level L_p (dB(A))
				Full load 100%	3/4 load 75%	Full load 100%	3/4 load 75%	I_N (A)	I_S (pu)	I_0 (A)	T_N (Nm)	T_S (pu)	T_{max} (pu)			
1500 r/min = 4 poles				3000 V 50 Hz												
1600	HXR 560LK4	627	1494	97.7	97.7	0.90	0.88	351	6.7	95	10229	0.7	2.4	85.4	9380	82
1800	HXR 560LP4	628	1495	97.8	97.7	0.89	0.87	399	6.9	119	11500	0.7	2.5	102.6	10290	82
2000	HXR 560LS4	629	1495	97.9	97.9	0.89	0.87	440	7.1	127	12777	0.7	2.5	121.3	11300	82
2240	HXR 560LT4	630	1496	98.0	97.9	0.87	0.85	504	7.2	161	14298	0.7	2.4	132.8	11940	82

IP55, IC411, insulation class F, temperature rise class B
3000 V, 50 Hz

Output (kW)	Motor type	Product ID	Speed (r/min)	Efficiency		Power factor		Current			Torque			Rotor inertia (kgm ²)	Motor weight (kg)	Sound pressure level L_p (dB(A))
				Full load 100%	3/4 load 75%	Full load 100%	3/4 load 75%	I_N (A)	I_S (pu)	I_0 (A)	T_N (Nm)	T_S (pu)	T_{max} (pu)			
1000 r/min = 6 poles				3000 V 50 Hz												
1600	HXR 560LN6	631	995	97.6	97.6	0.87	0.84	363	6.5	118	15348	0.8	2.3	137.2	10020	81
1800	HXR 560LR6	632	996	97.7	97.7	0.87	0.84	408	6.7	134	17262	0.8	2.4	163.6	11010	81
2000	HXR 560LU6	633	996	97.8	97.8	0.88	0.86	445	6.7	133	19171	0.7	2.4	200.1	12280	81

IP55, IC411, insulation class F, temperature rise class B
3000 V, 50 Hz

Output (kW)	Motor type	Product ID	Speed (r/min)	Efficiency		Power factor		Current			Torque			Rotor inertia (kgm ²)	Motor weight (kg)	Sound pressure level L_p (dB(A))
				Full load 100%	3/4 load 75%	Full load 100%	3/4 load 75%	I_N (A)	I_S (pu)	I_0 (A)	T_N (Nm)	T_S (pu)	T_{max} (pu)			
750 r/min = 8 poles				3000 V 50 Hz												
1400	HXR 560LR8	717	747	97.2	97.1	0.81	0.78	341	5.7	135	17901	0.8	2.0	167.0	10950	80
1600	HXR 560LU8	718	747	97.3	97.2	0.81	0.78	388	5.8	153	20454	0.8	2.0	204.1	12310	80

Rib cooled motors, type HXR 560

Technical data

IP55, IC411, insulation class F, temperature rise class B
3000 V, 50 Hz

Output (kW)	Motor type	Product ID	Speed (r/min)	Efficiency		Power factor		Current			Torque			Rotor inertia (kgm ²)	Motor weight (kg)	Sound pressure level <i>L_p</i> (dB(A))
				Full load 100%	3/4 load 75%	Full load 100%	3/4 load 75%	<i>I_N</i> (A)	<i>I_s</i> <i>I_N</i> (pu)	<i>I₀</i> (A)	<i>T_N</i> (Nm)	<i>T_s</i> <i>T_N</i> (pu)	<i>T_{max}</i> <i>T_N</i> (pu)			
600 r/min = 10 poles																
3000 V 50 Hz																
1000	HXR 560LN10	637	597	97.0	97.0	0.78	0.73	256	5.1	115	16006	0.7	1.9	140.6	9970	78
1120	HXR 560LQ10	638	597	97.1	97.0	0.77	0.72	289	5.4	135	17921	0.8	2.0	154.3	10460	78
1250	HXR 560LT10	719	596	97.1	97.1	0.79	0.76	312	4.8	124	20015	0.7	1.8	188.7	11690	78
1350	HXR 560LU10	720	597	97.2	97.0	0.75	0.69	355	6.1	182	21582	1.0	2.3	209.3	12430	78
500/r min = 12 poles																
3000 V 50 Hz																
800	HXR 560LN12	721	496	96.5	96.6	0.78	0.74	204	4.2	87	15414	0.6	1.8	136.2	9800	76
900	HXR 560LR12	722	496	96.6	96.7	0.78	0.73	231	4.6	104	17324	0.7	1.9	167.0	10870	76
1000	HXR 560LT12	723	497	96.8	96.7	0.76	0.70	262	5.1	131	19231	0.8	2.1	187.5	11610	76
1100	HXR 560LU12	724	497	96.9	96.8	0.75	0.69	291	5.0	145	21128	0.8	2.0	209.2	12360	76

IP55, IC411, insulation class F, temperature rise class B
6000 V, 50 Hz

Output (kW)	Motor type	Product ID	Speed (r/min)	Efficiency		Power factor		Current			Torque			Rotor inertia (kgm ²)	Motor weight (kg)	Sound pressure level <i>L_p</i> (dB(A))
				Full load 100%	3/4 load 75%	Full load 100%	3/4 load 75%	<i>I_N</i> (A)	<i>I_s</i> <i>I_N</i> (pu)	<i>I₀</i> (A)	<i>T_N</i> (Nm)	<i>T_s</i> <i>T_N</i> (pu)	<i>T_{max}</i> <i>T_N</i> (pu)			
3000 r/min = 2 poles																
6000 V 50 Hz																
1250	HXR 560LM2	707	2986	97.1	97.0	0.92	0.90	135	7.4	32	3997	0.6	3.0	44.4	9700	87
1400	HXR 560LN2	708	2989	97.3	97.2	0.91	0.90	152	7.4	36	4473	0.6	2.9	46.5	10050	87
1600	HXR 560LS2	709	2991	97.5	97.3	0.90	0.89	175	7.4	43	5109	0.6	2.8	56.6	11260	87

IP55, IC411, insulation class F, temperature rise class B
6000 V, 50 Hz

Output (kW)	Motor type	Product ID	Speed (r/min)	Efficiency		Power factor		Current			Torque			Rotor inertia (kgm ²)	Motor weight (kg)	Sound pressure level <i>L_p</i> (dB(A))
				Full load 100%	3/4 load 75%	Full load 100%	3/4 load 75%	<i>I_N</i> (A)	<i>I_s</i> <i>I_N</i> (pu)	<i>I₀</i> (A)	<i>T_N</i> (Nm)	<i>T_s</i> <i>T_N</i> (pu)	<i>T_{max}</i> <i>T_N</i> (pu)			
1500 r/min = 4 poles																
6000 V 50 Hz																
1600	HXR 560LM4	645	1495	97.7	97.6	0.89	0.86	178	6.9	54	10223	0.7	2.5	91.2	9640	82
1800	HXR 560LR4	646	1495	97.8	97.7	0.89	0.87	199	6.9	58	11499	0.7	2.5	116.5	10930	82
2000	HXR 560LT4	647	1496	97.9	97.8	0.88	0.86	224	7.0	68	12767	0.7	2.3	130.8	11680	82

Rib cooled motors, type HXR 560

Technical data

IP55, IC411, insulation class F, temperature rise class B
6000 V, 50 Hz

Output (kW)	Motor type	Product ID	Speed (r/min)	Efficiency		Power factor		Current			Torque			Rotor inertia (kgm ²)	Motor weight (kg)	Sound pressure level L_p (dB(A))
				Full load 100%	3/4 load 75%	Full load 100%	3/4 load 75%	I_N (A)	I_S (pu)	I_0 (A)	T_N (Nm)	T_S (pu)	T_{max} (pu)			
1000 r/min = 6 poles																
6000 V 50 Hz																
1400	HXR 560LM6	648	996	97.5	97.4	0.86	0.82	161	6.8	58	13423	0.8	2.5	129.9	9690	81
1600	HXR 560LR6	649	996	97.6	97.5	0.85	0.81	186	6.9	71	15334	0.8	2.5	155.4	10630	81
1800	HXR 560LU6	650	996	97.7	97.7	0.87	0.85	203	6.7	66	17260	0.8	2.4	197.1	12110	81

IP55, IC411, insulation class F, temperature rise class B
6000 V, 50 Hz

Output (kW)	Motor type	Product ID	Speed (r/min)	Efficiency		Power factor		Current			Torque			Rotor inertia (kgm ²)	Motor weight (kg)	Sound pressure level L_p (dB(A))
				Full load 100%	3/4 load 75%	Full load 100%	3/4 load 75%	I_N (A)	I_S (pu)	I_0 (A)	T_N (Nm)	T_S (pu)	T_{max} (pu)			
750 r/min = 8 poles																
6000 V 50 Hz																
1250	HXR 560LP8	725	747	97.1	96.9	0.80	0.76	154	5.8	64	15981	0.8	2.0	146.6	10160	80
1400	HXR 560LT8	726	747	97.2	97.1	0.82	0.78	169	5.8	69	17897	0.6	2.2	188.0	11570	80
1500	HXR 560LU8	727	747	97.2	97.0	0.80	0.75	185	5.8	82	19168	0.6	2.3	204.0	12180	80

IP55, IC411, insulation class F, temperature rise class B
6000 V, 50 Hz

Output (kW)	Motor type	Product ID	Speed (r/min)	Efficiency		Power factor		Current			Torque			Rotor inertia (kgm ²)	Motor weight (kg)	Sound pressure level L_p (dB(A))
				Full load 100%	3/4 load 75%	Full load 100%	3/4 load 75%	I_N (A)	I_S (pu)	I_0 (A)	T_N (Nm)	T_S (pu)	T_{max} (pu)			
600 r/min = 10 poles																
6000 V 50 Hz																
1000	HXR 560LQ10	728	596	96.9	96.9	0.79	0.76	125	4.6	49	16016	0.6	1.7	154.3	10350	78
1120	HXR 560LS10	729	597	97.0	96.9	0.77	0.71	145	5.6	70	17913	0.8	2.1	175.0	11080	78
1230	HXR 560LU10	730	597	97.0	96.9	0.78	0.73	157	5.6	73	19673	0.8	2.1	209.3	12250	78
500 r/min = 12 poles																
6000 V 50 Hz																
710	HXR 560LM12	657	496	96,3	96,3	0,77	0,72	92	4,5	42	13670	0,7	1,9	132,8	9560	76
800	HXR 560LQ12	731	497	96,5	96,4	0,75	0,69	106	5,1	54	15384	0,8	2,2	153,3	10290	76
900	HXR 560LS12	732	496	96,5	96,5	0,77	0,71	117	4,9	56	17313	0,7	2,1	180,6	11250	76
980	HXR 560LU12	733	497	96,7	96,7	0,77	0,72	127	4,7	57	18832	0,7	1,9	209,2	12210	76

Rib cooled motors, type HXR 560

Technical data

IP55, IC411, insulation class F, temperature rise class B
10000 V, 50 Hz

Output (kW)	Motor type	Product ID	Speed (r/min)	Efficiency		Power factor		Current			Torque			Rotor inertia (kgm ²)	Motor weight (kg)	Sound pressure level <i>L_p</i> (dB(A))
				Full load 100%	3/4 load 75%	Full load 100%	3/4 load 75%	<i>I_N</i> (A)	<i>I_S</i> <i>I_N</i> (pu)	<i>I₀</i> (A)	<i>T_N</i> (Nm)	<i>T_S</i> <i>T_N</i> (pu)	<i>T_{max}</i> <i>T_N</i> (pu)			
3000 r/min = 2 poles																
10000 V 50 Hz																
1120	HXR 560LM2	711	2990	97.0	96.7	0.90	0.88	74	7.5	19	3577	0.6	2.9	44.2	9700	87
1250	HXR 560LQ2	712	2990	97.1	96.9	0.90	0.89	82	7.5	21	3992	0.6	2.8	50.4	10420	87
1500/r min = 4 poles																
10000 V 50 Hz																
1120	HXR 560LL4	661	1494	97.4	97.4	0.87	0.84	76	6.6	25	7159	0.7	2.5	67.4	9500	82
1250	HXR 560LN4	662	1495	97.5	97.4	0.87	0.84	85	6.9	29	7985	0.7	2.6	74.1	9920	82
1400	HXR 560LR4	663	1495	97.6	97.6	0.87	0.84	95	7.0	33	8942	0.7	2.7	82.1	10520	82

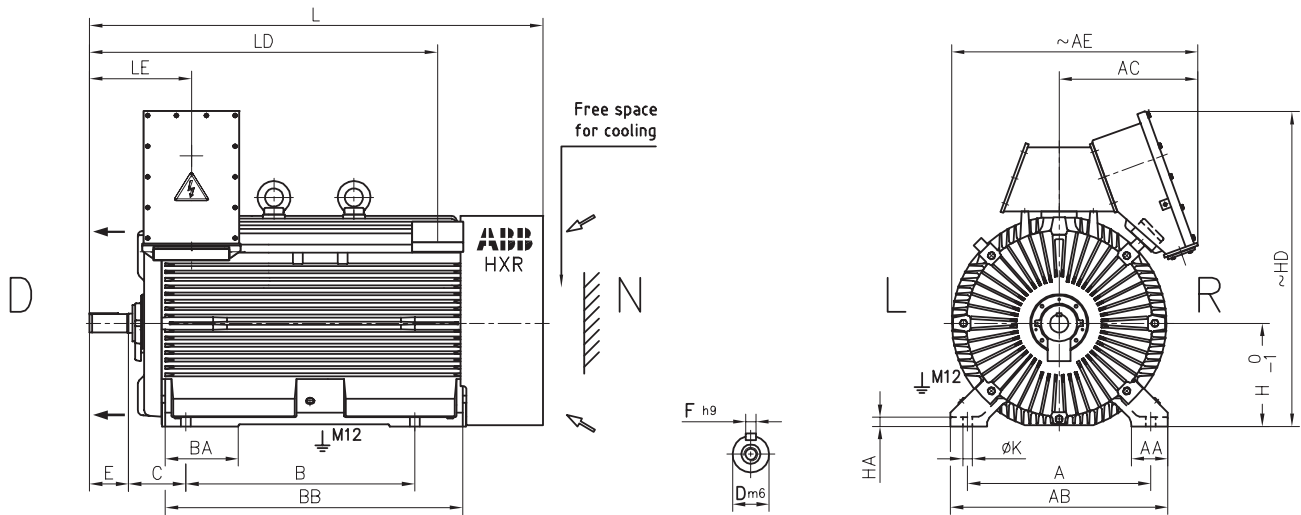
IP55, IC411, insulation class F, temperature rise class B
10000 V, 50 Hz

Output (kW)	Motor type	Product ID	Speed (r/min)	Efficiency		Power factor		Current			Torque			Rotor inertia (kgm ²)	Motor weight (kg)	Sound pressure level <i>L_p</i> (dB(A))
				Full load 100%	3/4 load 75%	Full load 100%	3/4 load 75%	<i>I_N</i> (A)	<i>I_S</i> <i>I_N</i> (pu)	<i>I₀</i> (A)	<i>T_N</i> (Nm)	<i>T_S</i> <i>T_N</i> (pu)	<i>T_{max}</i> <i>T_N</i> (pu)			
1000 r/min = 6 poles																
10000 V 50 Hz																
1000	HXR 560LL6	664	996	97.2	97.1	0.84	0.79	71	6.3	28	9588	0.7	2.5	90.2	9450	81
1120	HXR 560LN6	665	996	97.3	97.2	0.84	0.79	79	6.5	32	10737	0.7	2.5	99.7	9930	81
1250	HXR 560LQ6	666	996	97.3	97.2	0.82	0.78	90	6.5	38	11980	0.7	2.6	108.4	10340	81
1400	HXR 560LR6	667	997	97.4	97.2	0.79	0.72	106	7.1	53	13410	0.8	2.8	112.3	10580	81
750 r/min = 8 poles																
10000 V 50 Hz																
900	HXR 560LM8	668	746	96.5	96.3	0.77	0.72	70	5.5	33	11518	0.8	2.2	93.3	9510	80
1000	HXR 560LP8	734	747	96.7	96.5	0.78	0.72	77	5.6	37	12791	0.7	2.3	105.8	10120	80
1120	HXR 560LR8	735	747	96.9	96.7	0.77	0.72	86	5.5	41	14316	0.7	2.1	121.4	10860	80
600 r/min = 10 poles																
10000 V 50 Hz																
560	HXR 560LL10	671	597	95.8	95.6	0.71	0.64	48	5.1	27	8959	0.8	2.1	91.4	9360	78
630	HXR 560LN10	672	596	95.9	95.7	0.72	0.65	53	5.3	29	10086	1.0	2.1	101.0	9840	78
710	HXR 560LR10	673	597	96.1	95.9	0.71	0.65	60	5.0	33	11359	0.8	2.1	113.1	10440	78

Rib cooled motors, type HXR

Dimension drawings

Antifriction bearings, $1 < UN \leq 6.6$ kV, IM 1001, IC411



HXR	Poles	A	B	C	D	E	F	H	AE	HD	L	K	LD	LE
560L	≥ 4	1000	1600	400	160	300	40	560	1285	1655	3025	48	2355	630

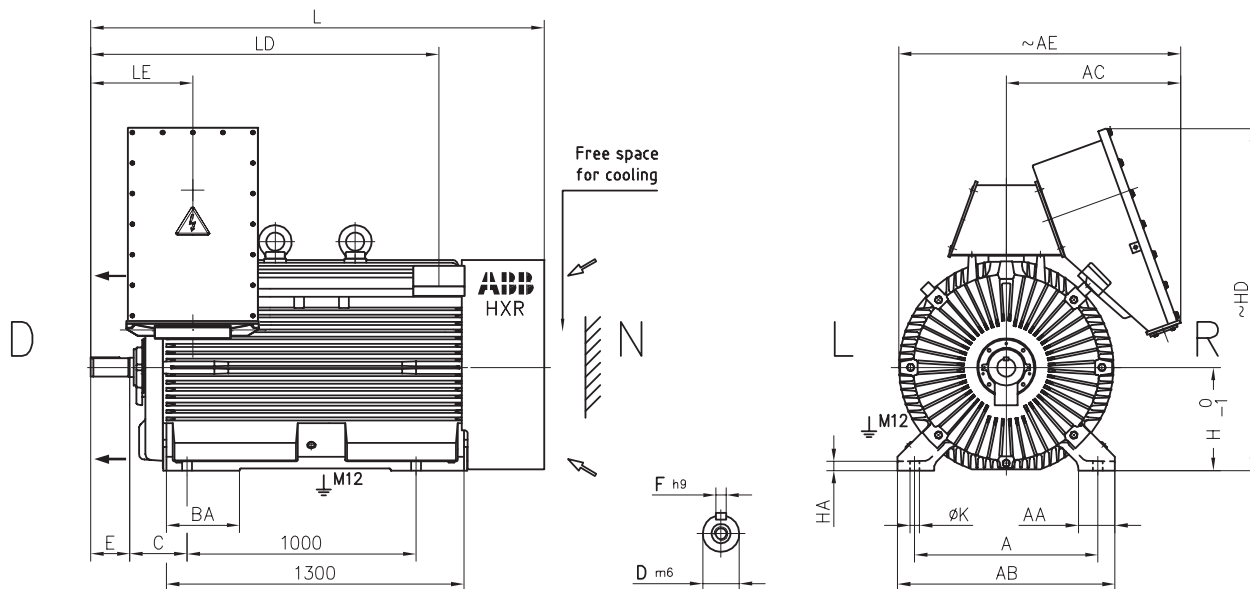
HXR	Poles	AA	AB	AC	BA	BB	HA	D-end bearing	N-end bearing
560L	≥ 4	230	1170	1190	620	1940	50	6034/C3 + NU1034/C3	NU322/C3

Table gives main dimensions in mm.

Rib cooled motors, type HXR

Dimension drawings

Antifriction bearings, $6.6 < UN \leq 11$ kV, IM1001, IC411



HXR	Poles	A	B	C	D	E	F	H	AE	HD	L	K	LD	LE
560L	≥ 4	1000	1600	400	160	300	40	560	1365	1780	3025	48	2355	630

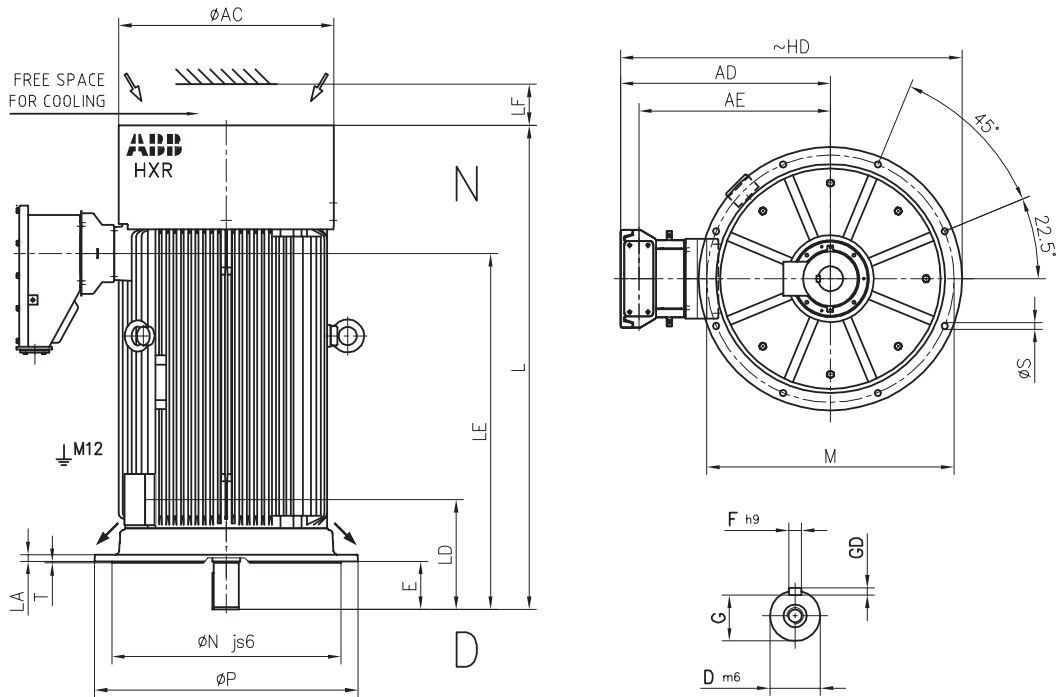
HXR	Poles	AA	AB	AC	BA	BB	HA	D-end bearing	N-end bearing
560L	≥ 4	230	1170	1190	620	1940	50	6034/C3 + NU1034/C3	NU322/C3

Table gives main dimensions in mm.

Rib cooled motors, type HXR

Dimension drawings

Antifriction bearings, $1 < UN \leq 6.6$ kV, IM3011, IC411



HXR	Poles	M	N	P	S	D	E	F	G	GD	HD	L	LA
560L	≥ 6	1320	1250	1400	28	160	300	40	147	22	1780	3005	40

HXR	Poles	LD	LE	LF	T	AC	AD	AE	D-end bearing	N-end bearing
560L	≥ 6	630	2350	250	6	1190	1077	1000	6034/C3	7334 BM

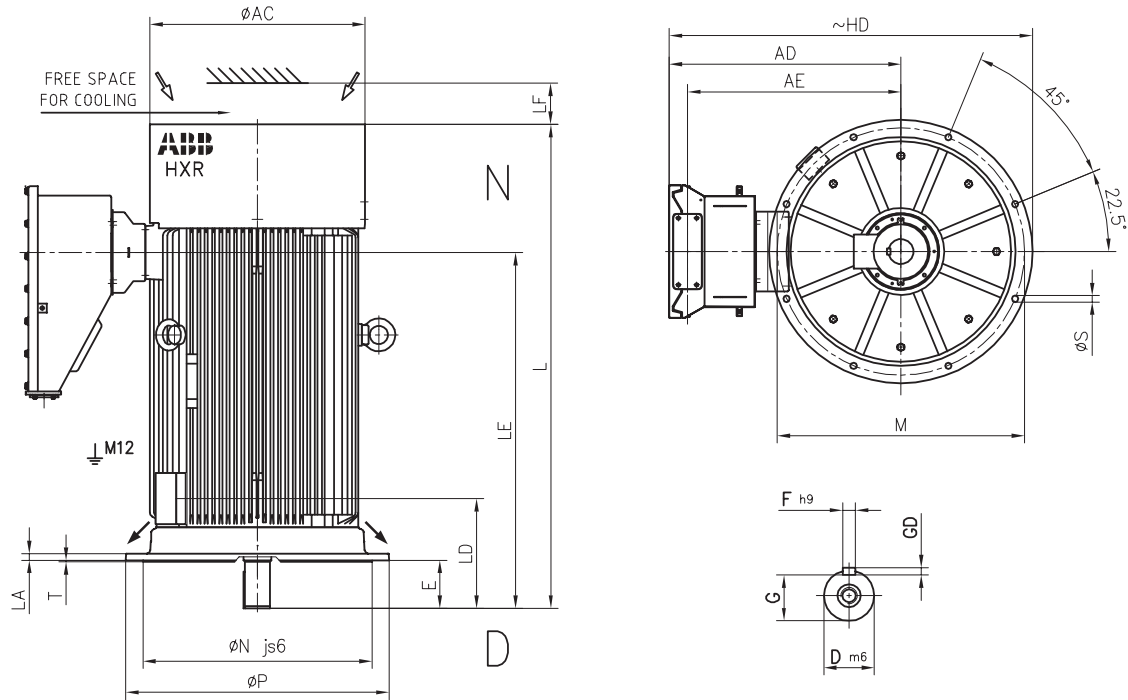
Note: Rain canopy is recommended for outdoor location.

Table gives main dimensions in mm.

Rib cooled motors, type HXR

Dimension drawings

Antifriction bearings, 6.6 < UN ≤ 11 kV, IM 3011, IC411



HXR	Poles	M	N	P	S	D	E	F	G	GD	HD	L	LA
560L	≥ 6	1320	1250	1400	28	160	300	40	147	22	1875	3005	40

HXR	Poles	LD	LE	LF	T	AC	AD	AE	D-end bearing	N-end bearing
560L	≥ 6	630	2350	250	6	1190	1172	1095	6034/C3	7334 BM

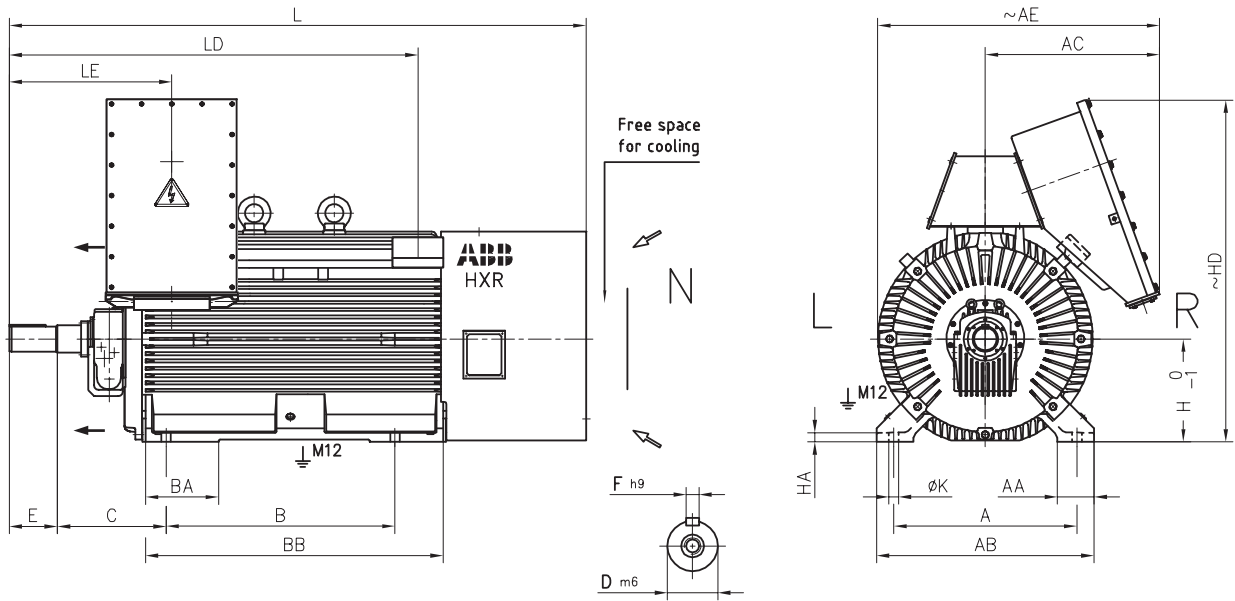
Note: Rain canopy is recommended for outdoor location.

Table gives main dimensions in mm.

Rib cooled motors, type HXR

Dimension drawings

Sleeve bearings, 6.6 < UN ≤ 11 kV, IM 1001, IC411



HXR	Poles	A	B	C	D	E	F	H	AE	HD	L	K	LD	LE
560L	2	1000	1600	670	120	210	32	560	1365	1780	3280	48	2535	810
560L	≥ 4	1000	1600	670	160	300	40	560	1365	1780	3465	48	2625	900

HXR	Poles	AA	AB	AC	BA	BB	HA	D-end bearing	N-end bearing
560L	2	230	1170	1190	620	1940	50	EFZLB 14-125 ¹⁾	EFZLQ 14-125 ¹⁾
560L	4, 6	230	1170	1190	620	1940	50	EFZLB 14-125 ²⁾	EFZLQ 14-125 ²⁾
560L	≥ 4	230	1170	1190	620	1940	50	EFZLB 14-140	EFZLQ 14-140

¹⁾ With oil circulation as standard.

²⁾ With oil circulation as standard for 4 poles.

Note: Axial float of rotor ±8 mm as standard.

Note: The bearing cannot withstand continuous axial forces.

Modular slip-ring motors, type NMK

Availability for heavy load inertia applications

Slip-ring motors are an ideal solution for applications which require high starting torque and low starting current. They are especially suitable for heavy load inertia applications like mill drives or situations where network conditions are weak.

ABB's slip-ring motors minimize mechanical stress at starting, increasing the lifetime of your driven equipment. They provide maximized availability and high torque over the entire speed range.

Slip-ring motors are widely used in mills, crushers, fans, and conveyors in the mining, cement and metal industries. In addition, these motors offer a reliable solution for pumps in the water industry and safe area pumps, compressors and mixers in the petrochemical industry.

NMK slip ring motors are available in shaft heights from 400 to 710 mm, with cooling methods and protection types of IC611/IP55, IC81W/IP55 as standard. The motors are rated up to 10,000 kW.

NMK motors have a welded steel frame. Slip ring unit can be supplied with permanent contact brushes, or with brush lifting gear. In both cases the slip rings are enclosed in a housing located at the N-end and separated from the main motor frame. Liquid resistance starter(LRS) is available on request.

For NMK motors this catalog only shows the typical technical data of 6kV and 11kV at 50 Hz for 4, 6, and 8 pole motors. While the complete product scope covers motors with 60Hz, pole numbers up to 16, and voltage rating up to 13.8kV.

For more detailed technical data and configuration solutions on NMK slip-ring motors, please contact ABB.

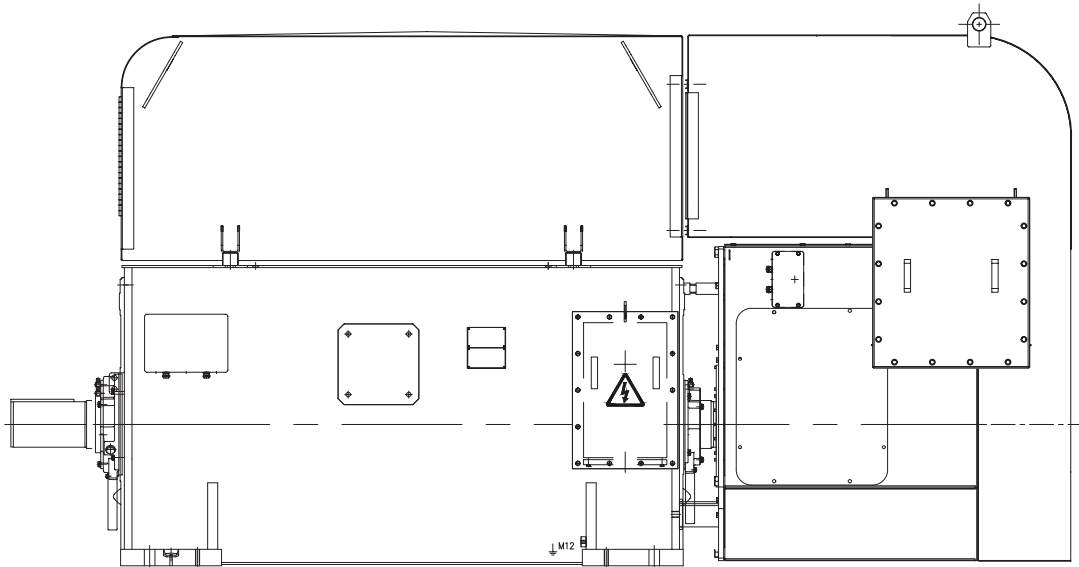


Modular slip-ring motors, type NMK

Mounting arrangements

Standard mounting arrangements for NMK motors. Other mountings
e.g. IM1002 available on request.

—
29
Code I: IM B3
Code II: IM 1001
Horizontal foot mounted



Modular slip-ring motors, type NMK

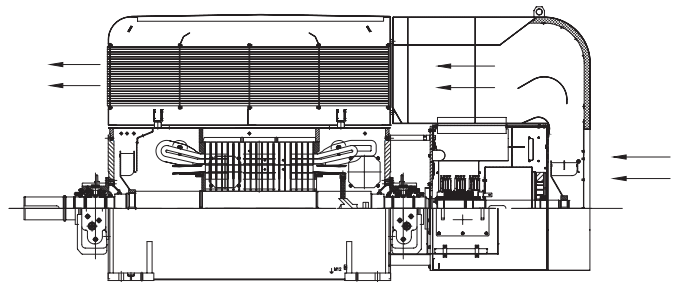
Enclosure and cooling

Standard combinations for NMK motors are IC611/IP55 and IC81W/IP55, other cooling methods of IC616, IC86W, etc. available on request.

—
30
IC611/IP55

IC611/IP55

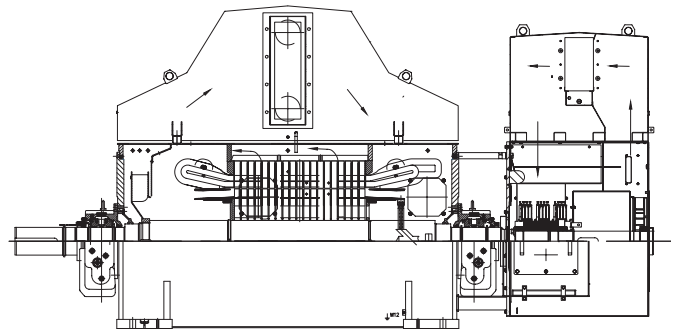
This design has an air-to-air heat exchanger mounted on the motor, which is fully enclosed. Shaft mounted fans are fitted both inside motor frame and inside slip ring housing, and outside of the casing to supply the inside and outside cooling circuits respectively. The motor is protected against dust and splashing water from any direction.



—
31
IC81W/IP55

IC81W/IP55

The machine is totally enclosed having a machine-mounted and a SRU housing mounted air-to-water heat exchangers. A shaft mounted fan is fitted inside the casing to supply the internal cooling circuit. The motor is protected against dust and splashing water from any direction. a component designed for this purpose and mounted directly on the rotor of the main motor, or by a fan or pump unit mechanically driven by the rotor or the main motor.



Modular slip-ring motors, type NMK

Type designation

The type designation of the NMK motors follows the coding principle shown below.
Example: NMK 450L4A BALS

1	NM	New Alternating Current Machines
2	K	Indicates the type of motor, I = SCIM, K = WRIM
3	450	Shaft centre height in mm, 400, 450, 500, 560, 630, 710
4	L	Frame length, S = small, M = medium, L = long
5	4	Number of poles
6	A	Stands for the IC/IP combination; A = IC611 / IC616 / IC666 / IP55 [TEAAC] air-to-air cooled L = IC81W / IC86W / IP55 [TEWAC] air-to-water cooled
7	B	Mounting arrangement, B = IM1001 (horizontal)
8	A	Bearing type, A = antifriction, S = sleeve
9	L	Indication of special construction (1 or more digits, not obligatory) L = Brush lifting device (BLD) X = electrically special T = separate ventilation Y = mechanically special
10	S	Location of manufacture S = Shanghai (China) H = Helsinki (Finland) I = India (Vadodara)

Modular slip-ring motors, type NMK

Technical data

IP55, IC611, insulation class F, temperature rise class B
6000 V, 50 Hz, 4 pole

Output (kW)	Motor type	Product ID	Speed (r/min)	Efficiency		Power factor		Current		Torque		Rotor inertia (kgm ²)	Motor weight (kg)	Sound pressure level <i>L_p</i> (dB(A))	Rotor current (A)	Rotor voltage (kV)
				Full load 100%	3/4 load 75%	Full load 100%	3/4 load 75%	<i>I_N</i> (A)	<i>I₀</i> (A)	<i>T_N</i> (Nm)	$\frac{T_{max}}{T_N}$ (pu)					
1500 r/min = 4 poles				6000 V 50 Hz												
800	NMK 400L4A	1219	1481	94.9	95.1	0.87	0.86	93	26	5159	2.1	27.7	4140	85	684	0.726
900	NMK 400L4A	1220	1482	95.2	95.4	0.88	0.86	104	29	5798	2.2	30.3	4370	85	668	0.830
1000	NMK 450L4A	1378	1485	95.1	95.0	0.86	0.84	118	37	6432	2.1	42.4	5110	86	728	0.848
1120	NMK 450L4A	1255	1484	95.3	95.3	0.87	0.85	131	38	7206	2.0	44.4	5300	86	768	0.903
1250	NMK 450L4A	2516	1486	95.6	95.6	0.87	0.85	145	43	8034	2.2	48.4	5590	86	744	1.032
1450	NMK 450L4A	1257	1486	95.7	95.7	0.86	0.84	169	53	9318	2.2	50.4	5700	86	779	1.141
1600	NMK 500L4A	1321	1485	95.3	95.3	0.88	0.87	184	50	10288	2.1	76.6	6560	87	812	1.216
1800	NMK 500L4A	1322	1485	95.5	95.5	0.88	0.86	206	57	11571	2.2	80.1	6750	87	836	1.327
2000	NMK 500L4A	1323	1486	95.7	95.7	0.89	0.87	227	59	12853	2.1	87.2	7110	87	842	1.463
2220	NMK 500L4A	2506	1487	95.9	95.9	0.89	0.88	251	64	14260	2.2	94.3	7470	87	837	1.627
2240	NMK 560L4A	1500	1489	96.2	96.1	0.90	0.88	250	69	14367	2.7	134.1	10070	88	788	1.726
2500	NMK 560L4A	1501	1490	96.4	96.3	0.89	0.87	280	81	16024	2.8	143.9	10540	88	773	1.956
2800	NMK 560L4A	1502	1490	96.5	96.4	0.89	0.87	313	91	17947	2.8	148.9	10780	88	808	2.095
3150	NMK 560L4A	1503	1490	96.6	96.5	0.89	0.87	353	104	20190	2.8	153.8	11020	88	844	2.254
3550	NMK 560L4A	1504	1490	96.7	96.7	0.88	0.86	399	123	22751	2.8	158.7	11280	88	878	2.439
4000	NMK 630L4A	2101	1490	96.5	96.5	0.89	0.87	449	123	25632	2.4	204.3	12580	89	1685	1.445
4500	NMK 630L4A	2102	1490	96.7	96.7	0.89	0.88	501	130	28832	2.4	219.4	13170	89	1718	1.591
5000	NMK 630L4A	2103	1491	96.9	96.9	0.90	0.88	555	147	32023	2.5	234.5	13760	89	1712	1.769
5600	NMK 630L4A	2104	1491	97.0	97.0	0.90	0.89	617	159	35854	2.6	257.1	14630	89	1697	1.993
6150	NMK 630L4A	2105	1492	97.0	96.9	0.89	0.87	683	193	39366	2.8	277.2	15260	89	1649	2.247
6300	NMK 710L4A	10093	1491	96.6	96.5	0.90	0.89	698	154	40348	2.3	379.0	15900	88	1950	1.980
7100	NMK 710L4A	10094	1492	96.8	96.7	0.90	0.90	782	173	45449	2.3	417.1	16850	88	1912	2.265
8000	NMK 710L4A	10095	1493	97.0	96.9	0.91	0.90	875	198	51183	2.5	497.4	18180	88	2118	2.291

Note: Rating list presents typical value of preliminary technical data on standard conditions.

Note: Ratings of special site conditions of ambient temperature up to 50 °C or down to -50 °C, altitude higher than 1000 m a.s.l on request.

Note: Accurate motor performance data will be given on specific requirements at the quotation phase.

Modular slip-ring motors, type NMK

Technical data

IP55, IC611, insulation class F, temperature rise class B
6000 V, 50 Hz, 6 pole

Output (kW)	Motor type	Product ID	Speed (r/min)	Efficiency		Power factor		Current		Torque		Rotor inertia (kgm ²)	Motor weight (kg)	Sound pressure level <i>L_p</i> (dB(A))	Rotor current (A)	Rotor voltage (kV)
				Full load 100%	3/4 load 75%	Full load 100%	3/4 load 75%	<i>I_N</i> (A)	<i>I₀</i> (A)	<i>T_N</i> (Nm)	<i>T_{max}</i> <i>T_N</i> (pu)					
1000 r/min = 6 poles																
6000 V 50 Hz																
560	NMK 400L6A	1222	987	94.5	94.3	0.80	0.75	71	33	5420	2.6	31.4	4080	82	446	0.764
630	NMK 400L6A	1223	987	94.6	94.4	0.79	0.73	81	39	6094	2.7	33.0	4190	82	451	0.848
655	NMK 400L6A	2525	987	94.6	94.5	0.80	0.74	84	40	6334	2.8	34.5	4290	82	447	0.890
710	NMK 450L6A	1258	986	94.9	95.0	0.82	0.78	88	34	6876	2.1	46.0	5000	83	577	0.759
800	NMK 450L6A	1259	988	95.1	95.1	0.81	0.77	100	41	7734	2.3	50.7	5260	83	548	0.893
900	NMK 450L6A	1260	987	95.3	95.3	0.82	0.78	111	43	8705	2.2	53.1	5430	83	581	0.950
1020	NMK 450L6A	1261	988	95.4	95.4	0.82	0.78	126	51	9856	2.3	57.8	5690	83	575	1.085
1120	NMK 500L6A	1325	990	95.4	95.3	0.82	0.78	137	55	10807	2.4	83.3	6050	84	603	1.134
1250	NMK 500L6A	1326	990	95.5	95.5	0.83	0.79	153	60	12061	2.4	88.0	6220	84	620	1.229
1400	NMK 500L6A	1327	989	95.5	95.6	0.84	0.81	168	61	13514	2.2	92.8	6370	84	658	1.304
1600	NMK 500L6A	1328	990	95.8	95.9	0.84	0.81	191	68	15437	2.3	102.3	6750	84	660	1.480
1800	NMK 500L6A	2508	990	95.9	96.1	0.86	0.84	210	65	17368	2.1	116.5	7280	84	667	1.652
1885	NMK 500L6A	2509	991	96.1	96.1	0.84	0.80	225	85	18159	2.5	121.2	7460	84	617	1.852
2000	NMK 560L6A	1505	991	96.0	96.0	0.88	0.86	228	64	19276	2.3	189.7	9940	85	737	1.661
2240	NMK 560L6A	1506	991	96.2	96.2	0.88	0.86	255	74	21576	2.4	204.1	10390	85	731	1.868
2500	NMK 560L6A	1507	992	96.3	96.3	0.87	0.85	286	86	24073	2.4	211.4	10590	85	747	2.037
2800	NMK 560L6A	1508	992	96.4	96.4	0.88	0.85	319	96	26956	2.4	225.8	11050	85	759	2.241
3150	NMK 560L6A	1510	992	96.5	96.5	0.87	0.85	360	111	30315	2.5	240.2	11500	85	768	2.488
3550	NMK 630L6A	2106	993	96.6	96.6	0.87	0.85	405	123	34127	2.5	330.4	13720	86	866	2.490
4000	NMK 630L6A	2107	993	96.7	96.8	0.88	0.85	455	136	38451	2.5	326.6	14570	86	1499	1.619
4500	NMK 630L6A	2108	993	96.8	96.8	0.88	0.86	511	142	43271	2.2	345.4	15100	86	1591	1.724
5000	NMK 630L6A	2109	994	97.0	97.0	0.86	0.83	577	188	48045	2.4	354.9	15450	86	1569	1.928
5600	NMK 710L6A	10096	994	97.1	97.2	0.88	0.86	635	179	53805	2.3	462.0	16770	85	1838	1.853
6300	NMK 710L6A	10097	994	97.3	97.3	0.88	0.86	710	192	60514	2.3	514.7	18080	85	1819	2.106
6900	NMK 710L6A	10098	994	97.4	97.4	0.87	0.85	782	227	66260	2.3	541.0	18790	85	1821	2.295

Note: Rating list presents typical value of preliminary technical data on standard conditions.

Note: Ratings of special site conditions of ambient temperature up to 50 °C or down to -50 °C, altitude higher than 1000 m a.s.l on request.

Note: Accurate motor performance data will be given on specific requirements at the quotation phase.

Modular slip-ring motors, type NMK

Technical data

IP55, IC611, insulation class F, temperature rise class B
6000 V, 50 Hz, 8 pole

Output (kW)	Motor type	Product ID	Speed (r/min)	Efficiency		Power factor		Current		Torque		Rotor inertia (kgm ²)	Motor weight (kg)	Sound pressure level <i>L_p</i> (dB(A))	Rotor current (A)	Rotor voltage (kV)
				Full load 100%	3/4 load 75%	Full load 100%	3/4 load 75%	<i>I_N</i> (A)	<i>I₀</i> (A)	<i>T_N</i> (Nm)	<i>T_{max}</i> <i>T_N</i> (pu)					
750 r/min = 8 poles																
6000 V 50 Hz																
630	NMK 450L8A	1262	741	94.8	94.6	0.76	0.69	84	46	8119	3.1	65.2	5120	78	347	1.094
710	NMK 450L8A	1263	741	94.8	94.7	0.77	0.70	94	50	9152	3.0	68.5	5240	78	364	1.178
800	NMK 450L8A	2518	742	95.0	94.8	0.76	0.69	107	59	10299	3.1	78.6	5660	78	345	1.393
900	NMK 500L8A	1331	740	95.0	95.1	0.82	0.79	111	40	11607	2.0	96.8	6520	79	548	1.017
1000	NMK 500L8A	1332	742	95.2	95.1	0.80	0.76	126	53	12872	2.2	101.6	6700	79	523	1.170
1120	NMK 500L8A	2511	743	95.4	95.2	0.80	0.75	142	62	14399	2.3	116.0	7230	79	492	1.384
1180	NMK 500L8A	2512	743	95.4	95.2	0.79	0.74	150	68	15159	2.5	125.5	7580	79	469	1.523
1250	NMK 560L8A	1511	742	95.7	95.6	0.83	0.79	152	59	16080	2.4	183.9	9810	79	545	1.396
1400	NMK 560L8A	1512	743	95.8	95.7	0.82	0.78	171	70	18001	2.4	191.1	10040	79	554	1.534
1600	NMK 560L8A	1513	743	95.9	95.9	0.82	0.78	195	79	20569	2.4	205.5	10500	79	570	1.705
1800	NMK 560L8A	1514	743	96.1	96.0	0.83	0.79	218	86	23133	2.4	227.1	11170	79	569	1.920
2000	NMK 560L8A	1515	743	96.0	96.0	0.82	0.79	243	95	25705	2.3	234.3	11340	79	594	2.044
2240	NMK 560L8A	1516	743	96.2	96.2	0.82	0.78	273	108	28790	2.3	241.5	11640	79	621	2.188
2500	NMK 630L8A	2110	743	96.2	96.3	0.84	0.82	296	102	32134	2.3	340.2	14100	79	691	2.205
2800	NMK 630L8A	2111	743	96.3	96.3	0.84	0.81	332	120	35968	2.4	353.4	15180	79	1144	1.486
3150	NMK 630L8A	2112	743	96.4	96.4	0.84	0.81	374	134	40460	2.4	372.9	15760	79	1180	1.620
3550	NMK 710L8A	10099	744	96.9	97.0	0.84	0.82	419	138	45559	2.2	431.8	15470	79	1586	1.368
4000	NMK 710L8A	10100	744	97.0	97.1	0.85	0.83	469	147	51339	2.1	458.6	16070	79	1652	1.483
4500	NMK 710L8A	10101	745	97.2	97.2	0.84	0.81	533	190	57689	2.3	512.1	17270	79	1536	1.777
5000	NMK 710L8A	10102	745	97.2	97.3	0.84	0.80	592	214	64082	2.4	552.2	18080	79	1534	1.974

Note: Rating list presents typical value of preliminary technical data on standard conditions.

Note: Ratings of special site conditions of ambient temperature up to 50 °C or down to -50 °C, altitude higher than 1000 m a.s.l on request.

Note: Accurate motor performance data will be given on specific requirements at the quotation phase.

Modular slip-ring motors, type NMK

Technical data

IP55, IC611, insulation class F, temperature rise class B
11000 V, 50 Hz, 4 pole

Output (kW)	Motor type	Product ID	Speed (r/min)	Efficiency		Power factor		Current		Torque		Rotor inertia (kgm ²)	Motor weight (kg)	Sound pressure level <i>L_p</i> (dB(A))	Rotor current (A)	Rotor voltage (kV)
				Full load 100%	3/4 load 75%	Full load 100%	3/4 load 75%	<i>I_N</i> (A)	<i>I₀</i> (A)	<i>T_N</i> (Nm)	<i>T_{max}</i> <i>T_N</i> (pu)					
1500 r/min = 4 poles																
11000 V 50 Hz																
420	NMK 400L4A	1218	1475	93.0	93.2	0.86	0.84	28	8	2719	2.0	17.7	3830	85	526	0.507
450	NMK 450L4A	1381	1486	93.2	92.4	0.82	0.76	31	14	2891	3.1	31.0	4460	86	464	0.599
500	NMK 450L4A	1382	1485	93.4	92.8	0.83	0.79	34	14	3216	2.8	31.0	4460	86	516	0.599
560	NMK 450L4A	1383	1482	93.5	93.3	0.86	0.84	36	12	3609	2.3	32.8	4600	86	581	0.602
630	NMK 450L4A	1384	1479	93.5	93.5	0.87	0.85	41	12	4067	2.1	32.8	4600	86	659	0.602
710	NMK 450L4A	1385	1480	93.9	93.9	0.87	0.85	46	13	4582	2.1	34.6	4750	86	672	0.663
800	NMK 450L4A	1386	1481	94.2	94.3	0.87	0.85	51	15	5158	2.1	36.3	4900	86	677	0.737
900	NMK 450L4A	1387	1483	94.5	94.5	0.87	0.85	58	18	5797	2.3	38.1	5020	86	672	0.828
950	NMK 450L4A	1388	1483	94.7	94.7	0.87	0.85	61	19	6116	2.3	39.9	5170	86	663	0.884
1000	NMK 500L4A	2526	1487	94.3	94.0	0.87	0.85	64	20	6422	2.5	69.5	6110	87	617	1.000
1120	NMK 500L4A	1302	1485	94.4	94.3	0.88	0.86	71	20	7201	2.3	69.5	6110	87	695	1.000
1250	NMK 500L4A	1303	1486	94.7	94.6	0.88	0.87	79	22	8035	2.2	73.0	6290	87	714	1.085
1400	NMK 500L4A	1304	1486	94.9	94.8	0.88	0.86	88	25	8996	2.3	76.6	6470	87	730	1.183
1600	NMK 500L4A	1305	1487	95.2	95.1	0.88	0.86	100	29	10278	2.3	80.1	6660	87	757	1.301
1800	NMK 500L4A	1306	1487	95.4	95.4	0.89	0.87	112	31	11559	2.3	87.2	7020	87	763	1.448
1865	NMK 500L4A	2507	1487	95.4	95.4	0.89	0.87	116	31	11981	2.2	87.2	7020	87	793	1.448
2000	NMK 560L4A	1395	1487	95.8	95.8	0.90	0.89	121	28	12844	2.3	129.2	9800	88	821	1.497
2240	NMK 560L4A	1396	1490	96.0	95.9	0.89	0.86	138	42	14359	2.9	134.1	9970	88	758	1.790
2500	NMK 560L4A	1397	1490	96.3	96.2	0.89	0.86	154	47	16026	2.8	139.0	10270	88	789	1.918
2800	NMK 560L4A	1398	1490	96.3	96.3	0.89	0.86	172	53	17947	2.8	143.9	10460	88	820	2.064
3150	NMK 560L4A	1399	1490	96.2	96.0	0.88	0.86	195	62	20189	2.9	151.5	10710	88	855	2.233
3300	NMK 560L4A	1400	1489	96.2	96.1	0.89	0.88	202	56	21161	2.6	156.5	10940	88	897	2.239
3550	NMK 630L4A	2025	1491	96.3	96.2	0.89	0.87	219	58	22740	2.2	225.2	12580	89	931	2.333
4000	NMK 630L4A	2026	1491	96.4	96.3	0.88	0.86	248	74	25611	2.4	218.3	13080	89	1561	1.558
4500	NMK 630L4A	2027	1491	96.7	96.6	0.88	0.86	278	79	28817	2.3	225.8	13460	89	1664	1.644
5000	NMK 630L4A	2028	1492	96.8	96.8	0.89	0.87	305	83	32007	2.4	248.0	14320	89	1634	1.855
5600	NMK 630L4A	2029	1492	96.7	96.7	0.88	0.87	344	95	35850	2.4	258.6	14540	89	1722	1.976
6300	NMK 710L4A	10022	1491	96.4	96.4	0.91	0.90	379	78	40338	2.2	404.4	16420	88	1860	2.077
7100	NMK 710L4A	10023	1492	96.7	96.6	0.90	0.89	428	100	45428	2.4	442.5	17410	88	1785	2.421

Note: Rating list presents typical value of preliminary technical data on standard conditions.

Note: Ratings of special site conditions of ambient temperature up to 50 °C or down to -50 °C, altitude higher than 1000 m a.s.l on request.

Note: Accurate motor performance data will be given on specific requirements at the quotation phase.

Modular slip-ring motors, type NMK

Technical data

IP55, IC611, insulation class F, temperature rise class B
11000 V, 50 Hz, 6 pole

Output (kW)	Motor type	Product ID	Speed (r/min)	Efficiency		Power factor		Current		Torque		Rotor inertia (kgm ²)	Motor weight (kg)	Sound pressure level <i>L_p</i> (dB(A))	Rotor current (A)	Rotor voltage (kV)
				Full load 100%	3/4 load 75%	Full load 100%	3/4 load 75%	<i>I_N</i> (A)	<i>I₀</i> (A)	<i>T_N</i> (Nm)	<i>T_{max}</i> <i>T_N</i> (pu)					
1000 r/min = 6 poles																
11000 V 50 Hz																
450	NMK 450L6A	1250	986	93.8	93.8	0.79	0.75	32	14	4358	2.3	35.0	4840	83	442	0.630
500	NMK 450L6A	1251	988	94.1	94.0	0.77	0.71	36	18	4832	2.6	36.8	4950	83	419	0.729
560	NMK 450L6A	1252	987	94.3	94.3	0.79	0.73	40	19	5416	2.5	38.6	5100	83	445	0.770
650	NMK 450L6A	1253	986	94.4	94.5	0.80	0.76	45	19	6293	2.3	40.4	5250	83	490	0.817
710	NMK 500L6A	1308	989	94.6	94.5	0.84	0.80	47	18	6856	2.7	68.1	5910	84	446	0.973
800	NMK 500L6A	1309	989	94.8	94.8	0.85	0.81	52	20	7726	2.6	71.8	6090	84	466	1.048
900	NMK 500L6A	1310	989	95.0	95.0	0.85	0.82	58	21	8692	2.6	75.6	6260	84	484	1.136
1000	NMK 500L6A	1311	989	95.2	95.2	0.85	0.82	65	24	9654	2.6	79.4	6440	84	492	1.239
1120	NMK 500L6A	1312	990	95.4	95.4	0.85	0.81	73	28	10808	2.7	83.1	6620	84	499	1.363
1250	NMK 500L6A	1313	990	95.5	95.5	0.84	0.79	82	33	12054	2.8	86.9	6790	84	500	1.512
1300	NMK 500L6A	1314	989	95.5	95.6	0.85	0.82	84	30	12546	2.6	90.6	6960	84	521	1.516
1400	NMK 560L6A	1401	989	95.1	95.2	0.88	0.87	88	23	13513	2.1	168.1	9170	85	697	1.246
1600	NMK 560L6A	1402	990	95.3	95.4	0.88	0.87	100	26	15439	2.1	175.3	9400	85	723	1.371
1800	NMK 560L6A	1403	990	95.6	95.7	0.88	0.87	112	31	17357	2.2	182.5	9630	85	728	1.522
2000	NMK 560L6A	1404	991	95.8	95.9	0.88	0.87	124	32	19277	2.2	204.1	10290	85	717	1.715
2240	NMK 560L6A	1405	992	96.0	96.0	0.88	0.86	140	42	21565	2.4	211.4	10530	85	697	1.957
2500	NMK 560L6A	1407	992	96.0	96.1	0.88	0.85	156	48	24066	2.4	218.6	10700	85	723	2.106
2800	NMK 560L6A	1408	992	96.2	96.2	0.87	0.85	176	55	26949	2.5	225.8	10930	85	747	2.277
3150	NMK 630L6A	2030	993	96.3	96.2	0.86	0.84	199	62	30302	2.4	305.9	13100	86	846	2.270
3550	NMK 630L6A	2031	993	96.4	96.4	0.87	0.85	223	67	34150	2.3	327.6	13660	86	873	2.478
4000	NMK 630L6A	2032	992	96.5	96.6	0.87	0.86	249	69	38490	2.2	326.3	14500	86	1550	1.577
4500	NMK 630L6A	2033	993	96.7	96.7	0.87	0.85	281	85	43268	2.4	354.7	15280	86	1503	1.818
5000	NMK 710L6A	10024	993	96.9	96.9	0.88	0.86	310	88	48074	2.3	433.4	16070	85	1775	1.715
5600	NMK 710L6A	10025	994	97.0	97.1	0.88	0.86	345	98	53823	2.4	473.4	17010	85	1761	1.931
6300	NMK 710L6A	10026	995	97.2	97.2	0.86	0.83	394	132	60492	2.7	526.7	18230	85	1641	2.312

Note: Rating list presents typical value of preliminary technical data on standard conditions.

Note: Ratings of special site conditions of ambient temperature up to 50 °C or down to -50 °C, altitude higher than 1000 m a.s.l on request.

Note: Accurate motor performance data will be given on specific requirements at the quotation phase.

Modular slip-ring motors, type NMK

Technical data

IP55, IC611, insulation class F, temperature rise class B
11000 V, 50 Hz, 8 pole

Output (kW)	Motor type	Product ID	Speed (r/min)	Efficiency		Power factor		Current		Torque		Rotor inertia (kgm ²)	Motor weight (kg)	Sound pressure level <i>L_p</i> (dB(A))	Rotor current (A)	Rotor voltage (kV)
				Full load 100%	3/4 load 75%	Full load 100%	3/4 load 75%	<i>I_N</i> (A)	<i>I₀</i> (A)	<i>T_N</i> (Nm)	<i>T_{max}</i> <i>T_N</i> (pu)					
750 r/min = 8 poles				11000 V 50 Hz												
450	NMK 450L8A	2527	738	92.9	93.1	0.75	0.68	34	18	5820	2.4	40.6	4720	78	361	0.768
500	NMK 500L8A	1315	741	93.7	93.3	0.73	0.65	39	22	6441	2.9	70.3	6040	79	352	0.862
560	NMK 500L8A	1316	741	93.9	93.6	0.74	0.67	42	24	7216	2.7	74.0	6210	79	370	0.921
630	NMK 500L8A	1317	741	94.1	93.8	0.75	0.68	47	25	8120	2.6	77.8	6390	79	388	0.987
710	NMK 500L8A	1318	741	94.2	94.0	0.75	0.69	52	28	9153	2.6	81.5	6560	79	407	1.063
800	NMK 500L8A	1319	741	94.4	94.2	0.75	0.69	59	31	10313	2.6	85.3	6740	79	423	1.151
900	NMK 500L8A	1320	741	94.5	94.4	0.75	0.69	67	35	11599	2.6	89.0	6910	79	436	1.255
1000	NMK 560L8A	1409	741	94.8	95.0	0.84	0.81	66	23	12885	2.2	169.5	9300	79	545	1.136
1120	NMK 560L8A	1410	741	95.0	95.1	0.84	0.81	74	26	14429	2.2	176.7	9520	79	562	1.230
1250	NMK 560L8A	1411	742	95.2	95.3	0.84	0.81	82	29	16097	2.2	183.9	9750	79	574	1.341
1400	NMK 560L8A	1412	741	95.3	95.5	0.84	0.82	92	30	18040	2.1	191.1	9980	79	614	1.409
1600	NMK 560L8A	1413	742	95.5	95.7	0.84	0.81	105	37	20604	2.1	198.3	10200	79	630	1.563
1800	NMK 560L8A	1414	742	95.7	95.8	0.82	0.79	120	46	23156	2.2	205.5	10430	79	627	1.755
2000	NMK 560L8A	1415	743	95.9	95.9	0.82	0.78	133	53	25709	2.3	227.1	11110	79	607	2.004
2250	NMK 630L8A	2034	744	96.0	95.9	0.83	0.79	148	58	28892	2.5	329.1	13730	79	629	2.170
2500	NMK 630L8A	2035	743	96.1	96.1	0.84	0.81	163	59	32110	2.3	361.6	14560	79	646	2.354
2800	NMK 630L8A	2036	743	96.1	96.2	0.84	0.81	182	65	35970	2.3	353.1	15120	79	1149	1.483
3150	NMK 710L8A	10027	744	96.6	96.7	0.84	0.82	203	68	40458	2.2	403.0	14680	79	1538	1.255
3550	NMK 710L8A	10028	744	96.8	96.8	0.84	0.82	228	77	45552	2.3	457.1	15870	79	1456	1.486
4000	NMK 710L8A	10029	744	96.9	97.0	0.85	0.83	255	80	51328	2.2	497.6	16760	79	1491	1.638
4500	NMK 710L8A	10030	745	97.1	97.1	0.85	0.83	287	93	57693	2.2	538.8	17670	79	1507	1.817

Note: Rating list presents typical value of preliminary technical data on standard conditions.

Note: Ratings of special site conditions of ambient temperature up to 50 °C or down to -50 °C, altitude higher than 1000 m a.s.l on request.

Note: Accurate motor performance data will be given on specific requirements at the quotation phase.

Modular slip-ring motors, type NMK

Technical data

IP55, IC81W, insulation class F, temperature rise class B
6000 V, 50 Hz

Output (kW)	Motor type	Product ID	Speed (r/min)	Efficiency		Power factor		Current		Torque		Rotor inertia (kgm ²)	Motor weight (kg)	Sound pressure level <i>L_p</i> (dB(A))	Rotor current (A)	Rotor voltage (kV)
				Full load 100%	3/4 load 75%	Full load 100%	3/4 load 75%	<i>I_N</i> (A)	<i>I₀</i> (A)	<i>T_N</i> (Nm)	<i>T_{max}</i> <i>T_N</i> (pu)					
1500 r/min = 4 poles																
6000 V 50 Hz																
2500	NMK 560L4L	1822	1488	96.5	96.6	0.90	0.89	278	69	16049	2.4	126.1	9480	79	882	1.726
2800	NMK 560L4L	1823	1489	96.7	96.7	0.90	0.88	311	81	17962	2.5	135.9	9950	79	868	1.956
3150	NMK 560L4L	1824	1489	96.7	96.8	0.90	0.88	350	91	20208	2.5	140.9	10190	79	912	2.095
3550	NMK 560L4L	1825	1489	96.8	96.9	0.89	0.88	395	104	22773	2.5	145.8	10430	79	955	2.254
4000	NMK 560L4L	1826	1489	96.8	96.9	0.89	0.87	447	123	25657	2.5	153.1	10700	79	994	2.439
4500	NMK 630L4L	2235	1489	96.7	96.9	0.89	0.88	503	123	28860	2.2	196.8	11910	76	1905	1.445
5000	NMK 630L4L	2236	1489	96.9	97.1	0.90	0.89	555	130	32058	2.2	211.9	12500	76	1917	1.591
5600	NMK 630L4L	2237	1490	97.1	97.2	0.90	0.89	620	147	35892	2.3	227.0	13080	76	1926	1.769
6300	NMK 630L4L	2238	1490	97.2	97.3	0.90	0.89	692	159	40365	2.3	249.6	13960	76	1919	1.993
7100	NMK 630L4L	2239	1491	97.2	97.4	0.90	0.88	784	193	45485	2.4	269.2	14580	76	1913	2.247
8000	NMK 710L4L	10239	1489	96.9	97.1	0.89	0.91	890	139	51309	1.7	385.7	15760	80	2528	1.983
9000	NMK 710L4L	10240	1490	97.0	97.2	0.90	0.91	994	159	57684	1.7	423.5	16710	80	2470	2.267
10000	NMK 710L4L	10241	1491	97.2	97.4	0.90	0.91	1095	197	64063	2.0	489.1	17660	80	2680	2.291
1000 r/min = 6 poles																
6000 V 50 Hz																
2240	NMK 560L6L	1827	991	96.3	96.4	0.87	0.85	258	79	21590	2.3	170.4	9070	77	794	1.719
2500	NMK 560L6L	1828	991	96.4	96.6	0.87	0.86	285	81	24099	2.2	184.8	9540	77	818	1.865
2800	NMK 560L6L	1829	991	96.4	96.6	0.87	0.85	321	95	26982	2.3	192.0	9740	77	840	2.033
3150	NMK 560L6L	1830	991	96.5	96.7	0.87	0.86	360	104	30350	2.3	206.5	10200	77	859	2.237
3550	NMK 560L6L	1831	991	96.6	96.8	0.87	0.85	406	121	34192	2.3	220.9	10650	77	870	2.483
4000	NMK 630L6L	2481	992	96.7	97.0	0.88	0.87	452	113	38507	2.1	295.7	13230	78	1703	1.440
4500	NMK 630L6L	2240	993	96.9	97.1	0.88	0.87	509	136	43295	2.2	314.5	13800	78	1696	1.619
5000	NMK 630L6L	2241	992	96.9	97.1	0.88	0.87	567	142	48118	2.0	333.3	14330	78	1779	1.724
5600	NMK 630L6L	2242	993	97.1	97.3	0.87	0.85	642	188	53852	2.2	342.8	14680	78	1768	1.928
6300	NMK 710L6L	10242	992	97.1	97.4	0.88	0.88	712	155	60638	1.9	437.0	15840	79	2254	1.732
7100	NMK 710L6L	10243	993	97.3	97.5	0.88	0.87	802	192	68283	2.0	476.6	16790	79	2185	1.996
8000	NMK 710L6L	10244	993	97.4	97.6	0.88	0.88	900	194	76956	1.9	516.1	17740	79	2281	2.167
8500	NMK 710L6L	10245	993	97.5	97.7	0.87	0.87	962	222	81744	1.9	529.2	18100	79	2283	2.296

Note: Rating list presents typical value of preliminary technical data on standard conditions.

Note: Ratings of special site conditions of ambient temperature up to 50 °C or down to -50 °C, altitude higher than 1000 m a.s.l on request.

Note: Accurate motor performance data will be given on specific requirements at the quotation phase.

Modular slip-ring motors, type NMK

Technical data

IP55, IC81W, insulation class F, temperature rise class B
6000 V, 50 Hz

Output (kW)	Motor type	Product ID	Speed (r/min)	Efficiency		Power factor		Current		Torque		Rotor inertia (kgm ²)	Motor weight (kg)	Sound pressure level <i>L_p</i> (dB(A))	Rotor current (A)	Rotor voltage (kV)
				Full load 100%	3/4 load 75%	Full load 100%	3/4 load 75%	<i>I_N</i> (A)	<i>I₀</i> (A)	<i>T_N</i> (Nm)	<i>T_{max}</i> <i>T_N</i> (pu)					
750 r/min = 8 poles																
6000 V 50 Hz																
1600	NMK 560L8L	1833	742	96.0	96.0	0.82	0.78	196	77	20595	2.2	171.8	9190	75	637	1.530
1800	NMK 560L8L	1834	742	96.1	96.2	0.82	0.79	219	85	23162	2.2	186.2	9650	75	644	1.701
2000	NMK 560L8L	1835	743	96.2	96.2	0.82	0.78	245	100	25716	2.4	200.6	10100	75	634	1.912
2240	NMK 560L8L	1836	743	96.1	96.2	0.82	0.78	275	111	28807	2.3	207.8	10260	75	668	2.037
2500	NMK 560L8L	1837	742	96.3	96.4	0.82	0.79	304	116	32160	2.2	222.2	10770	75	697	2.185
2800	NMK 560L8L	1838	742	96.3	96.4	0.82	0.78	343	133	36018	2.2	229.4	10980	75	727	2.346
3150	NMK 630L8L	2243	742	96.3	96.5	0.85	0.83	371	120	40512	2.1	341.3	14410	75	1297	1.486
3550	NMK 630L8L	2244	743	96.4	96.6	0.85	0.83	418	134	45653	2.1	360.8	14990	75	1340	1.620
4000	NMK 710L8L	10246	743	97.0	97.2	0.85	0.83	470	138	51390	1.9	419.9	14860	75	1805	1.368
4500	NMK 710L8L	10247	743	97.0	97.3	0.85	0.84	528	147	57822	1.9	446.7	15460	75	1879	1.483
5000	NMK 710L8L	10248	743	97.1	97.4	0.85	0.84	586	164	64236	1.9	473.5	16070	75	1914	1.618
5600	NMK 710L8L	10249	743	97.2	97.4	0.84	0.83	658	190	71925	1.9	500.2	16660	75	1948	1.777
6300	NMK 710L8L	10250	744	97.2	97.5	0.84	0.83	740	213	80899	1.9	540.4	17470	75	1972	1.974

Note: Rating list presents typical value of preliminary technical data on standard conditions.

Note: Ratings of special site conditions of ambient temperature up to 50 °C or down to -50 °C, altitude higher than 1000 m a.s.l on request.

Note: Accurate motor performance data will be given on specific requirements at the quotation phase.

Modular slip-ring motors, type NMK

Technical data

IP55, IC81W, insulation class F, temperature rise class B
11000 V, 50 Hz

Output (kW)	Motor type	Product ID	Speed (r/min)	Efficiency		Power factor		Current		Torque		Rotor inertia (kgm ²)	Motor weight (kg)	Sound pressure level <i>L_p</i> (dB(A))	Rotor current (A)	Rotor voltage (kV)
				Full load 100%	3/4 load 75%	Full load 100%	3/4 load 75%	<i>I_N</i> (A)	<i>I₀</i> (A)	<i>T_N</i> (Nm)	<i>T_{max}</i> <i>T_N</i> (pu)					
1500 r/min = 4 poles				11000 V 50 Hz												
2240	NMK 560L4L	1718	1489	96.4	96.4	0.89	0.87	137	39	14370	2.6	121.2	9220	79	809	1.679
2500	NMK 560L4L	1719	1488	96.3	96.4	0.89	0.87	153	42	16039	2.6	126.1	9380	79	848	1.790
2800	NMK 560L4L	1720	1488	96.6	96.7	0.89	0.87	171	47	17963	2.5	131.0	9680	79	885	1.918
3150	NMK 560L4L	1721	1488	96.5	96.7	0.89	0.87	192	53	20209	2.5	135.9	9870	79	926	2.064
3550	NMK 560L4L	1722	1489	96.5	96.6	0.89	0.87	218	62	22772	2.5	143.2	10120	79	965	2.233
3800	NMK 560L4L	1723	1487	96.5	96.7	0.90	0.89	231	55	24395	2.3	148.2	10350	79	1037	2.239
4000	NMK 630L4L	2165	1489	96.6	96.7	0.89	0.88	246	58	25645	2.0	217.7	11910	76	1055	2.333
4500	NMK 630L4L	2166	1490	96.7	96.8	0.88	0.87	277	74	28832	2.2	210.8	12400	76	1764	1.558
5000	NMK 630L4L	2167	1490	96.9	97.0	0.88	0.87	307	79	32040	2.1	218.3	12790	76	1858	1.644
5600	NMK 630L4L	2168	1491	97.0	97.1	0.89	0.88	341	83	35872	2.1	240.5	13650	76	1840	1.855
6300	NMK 630L4L	2169	1491	97.0	97.1	0.89	0.88	385	95	40360	2.1	250.7	13860	76	1947	1.976
7100	NMK 710L4L	10157	1489	96.6	96.8	0.89	0.90	432	80	45528	1.8	370.7	15230	80	2282	1.935
8000	NMK 710L4L	10158	1490	96.9	97.0	0.90	0.90	484	93	51260	2.0	408.8	16230	80	2209	2.234
9000	NMK 710L4L	10159	1490	97.0	97.1	0.90	0.90	543	100	57668	1.9	434.2	16890	80	2294	2.421
1000 r/min = 6 poles				11000 V 50 Hz												
2000	NMK 560L6L	1724	990	95.9	96.1	0.87	0.85	127	38	19293	2.2	156.0	8570	77	810	1.514
2240	NMK 560L6L	1725	991	96.0	96.2	0.87	0.85	140	42	21581	2.3	184.8	9410	77	750	1.823
2500	NMK 560L6L	1726	991	96.3	96.4	0.87	0.85	156	46	24085	2.3	192.0	9690	77	781	1.952
2800	NMK 560L6L	1727	991	96.2	96.4	0.87	0.85	175	52	26974	2.3	199.3	9860	77	814	2.101
3150	NMK 560L6L	1728	991	96.3	96.5	0.87	0.85	198	61	30342	2.3	206.5	10090	77	846	2.272
3520	NMK 560L6L	2498	991	96.4	96.6	0.87	0.85	221	66	33903	2.3	220.9	10540	77	866	2.480
3550	NMK 630L6L	2528	992	96.5	96.6	0.87	0.85	223	67	34158	2.3	304.7	12560	78	901	2.403
4000	NMK 630L6L	2170	992	96.6	96.8	0.87	0.86	250	67	38517	2.0	315.5	12890	78	991	2.478
4500	NMK 630L6L	2171	992	96.7	96.9	0.87	0.85	282	79	43313	2.1	314.2	13700	78	1676	1.642
5000	NMK 630L6L	2172	992	96.8	97.0	0.87	0.86	311	85	48115	2.1	342.6	14510	78	1680	1.818
5600	NMK 710L6L	10160	992	96.9	97.2	0.87	0.87	347	87	53912	2.0	408.3	15090	79	2084	1.653
6300	NMK 710L6L	10161	993	97.2	97.3	0.87	0.85	392	110	60593	2.2	448.3	16080	79	1995	1.926
7100	NMK 710L6L	10162	993	97.2	97.4	0.87	0.85	442	124	68284	2.2	474.9	16670	79	2064	2.100
8000	NMK 710L6L	10163	993	97.3	97.5	0.87	0.86	495	132	76937	2.1	514.9	17620	79	2113	2.312

Note: Rating list presents typical value of preliminary technical data on standard conditions.

Note: Ratings of special site conditions of ambient temperature up to 50 °C or down to -50 °C, altitude higher than 1000 m a.s.l on request.

Note: Accurate motor performance data will be given on specific requirements at the quotation phase.

Modular slip-ring motors, type NMK

Technical data

IP55, IC81W, insulation class F, temperature rise class B
11000 V, 50 Hz

Output (kW)	Motor type	Product ID	Speed (r/min)	Efficiency		Power factor		Current		Torque		Rotor inertia (kgm ²)	Motor weight (kg)	Sound pressure level <i>L_p</i> (dB(A))	Rotor current (A)	Rotor voltage (kV)
				Full load 100%	3/4 load 75%	Full load 100%	3/4 load 75%	<i>I_N</i> (A)	<i>I₀</i> (A)	<i>T_N</i> (Nm)	<i>T_{max}</i> <i>T_N</i> (pu)					
750 r/min = 8 poles				11000 V 50 Hz												
1120	NMK 560L8L	1730	741	95.2	95.4	0.84	0.81	74	26	14429	2.2	164.6	8890	75	561	1.230
1250	NMK 560L8L	1731	742	95.4	95.5	0.84	0.81	82	29	16097	2.2	171.8	9120	75	573	1.341
1400	NMK 560L8L	1732	742	95.5	95.7	0.83	0.80	93	34	18019	2.2	179.0	9350	75	582	1.474
1600	NMK 560L8L	1733	742	95.7	95.9	0.84	0.81	105	37	20604	2.1	186.2	9570	75	629	1.563
1800	NMK 560L8L	1734	742	95.8	96.0	0.82	0.79	120	46	23156	2.2	193.4	9800	75	626	1.755
2000	NMK 560L8L	1735	743	96.0	96.1	0.82	0.78	133	53	25708	2.3	215.0	10470	75	605	2.006
2240	NMK 560L8L	1736	743	95.9	96.0	0.81	0.76	152	66	28785	2.4	215.0	10430	75	632	2.150
2500	NMK 630L8L	2173	743	96.1	96.2	0.84	0.81	163	58	32135	2.2	317.0	12960	75	703	2.170
2800	NMK 630L8L	2174	743	96.1	96.3	0.85	0.82	181	59	36005	2.0	349.5	13800	75	729	2.354
3150	NMK 630L8L	2175	742	96.1	96.4	0.85	0.83	203	65	40515	2.0	341.0	14350	75	1304	1.483
3550	NMK 710L8L	10164	743	96.6	96.9	0.84	0.83	228	68	45651	1.9	391.2	14070	75	1750	1.255
4000	NMK 710L8L	10165	742	96.7	97.0	0.85	0.84	256	71	51448	1.8	418.2	14670	75	1826	1.362
4500	NMK 710L8L	10166	743	96.9	97.2	0.85	0.84	288	80	57824	1.8	446.7	15300	75	1883	1.483
5000	NMK 710L8L	10167	743	97.0	97.3	0.85	0.85	319	84	64243	1.8	486.9	16190	75	1902	1.634
5600	NMK 710L8L	10168	743	97.1	97.4	0.85	0.85	356	93	71933	1.8	527.0	17060	75	1915	1.817

Note: Rating list presents typical value of preliminary technical data on standard conditions.

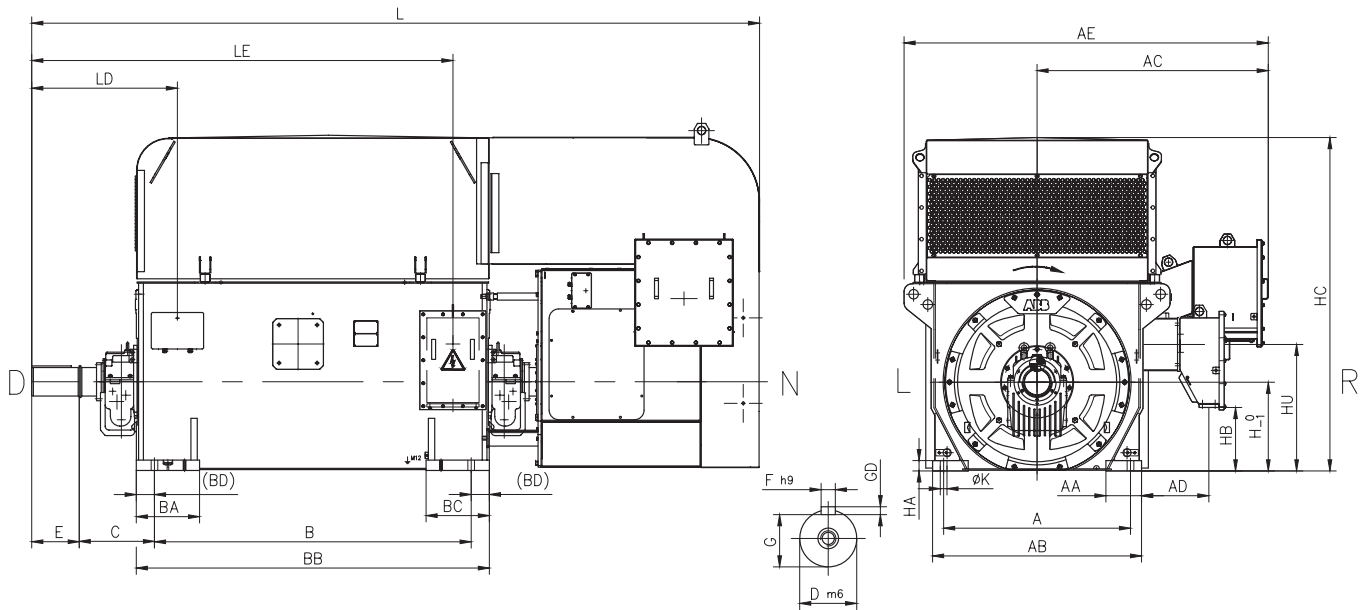
Note: Ratings of special site conditions of ambient temperature up to 50 °C or down to -50 °C, altitude higher than 1000 m a.s.l on request.

Note: Accurate motor performance data will be given on specific requirements at the quotation phase.

Modular slip-ring motors, type NMK

Dimension drawings

6.6 < UN ≤ 11 kV, IM 1001, IC611 / IP55



NMK	Poles	A	B	C	D	E	F	G	H	K	L	AA	AB	AC	AD	AE
400L	≥4	800	1340	200	110	210	28	100	400	36	2805	160	920	1195	380	1740
450L	≥4	950	1400	250	120	210	32	109	450	42	2985	185	1070	1195	360	1795
500L	≥4	1000	1600	250	140	250	36	128	500	42	3250	190	1170	1195	370	1840
560L	≥4	1180	2000	250	180	300	40	165	560	42	4210	225	1320	1460	507	2305
630L	≥4	1400	2240	250	200	350	45	185	630	42	4490	200	1500	1550	503	2485
710L	4	1600	2500	560	220	350	50	203	710	42	5420	200	1700	1910	795	2980
710L	≥6	1600	2500	355	220	350	50	203	710	42	5215	200	1700	1910	795	2980

NMK	Poles	BA	BB	BC	BD	GD	HA	HB	HC	LD	LE	HU	D-end bearing	N-end bearing
400L	≥4	250	1540	250	100	16	30	85	1595	580	1600	635	6324/C3	6228/C3
450L	≥4	270	1700	270	150	18	40	135	1740	610	1720	685	6326/C3	6228/C3
500L	≥4	280	1900	280	150	20	45	210	1930	675	2010	765	6330/C3	6330/C3
560L	≥4	400	2230	400	115	25	65	245	2190	695	2435	798.5	6038M/C3+NU1038M/C3	NU1038M/C3
630L	≥4	400	2470	400	115	25	65	393.5	2395	745	2725	948.5	6044M/C3+NU1044M/C3	NU1044M/C3
710L	4	400	2730	400	115	28	65	400	2555	1096	3290	980	FZLB18-225	FZLQ18-225
710L	≥6	400	2730	400	115	28	65	400	2555	891	3085	980	6048M/C3+NU1048M/C3	NU1048M/C3

Note: Preliminary dimensions of standard configuration in the list.

Note: Optional solutions e.g. NEMA oversize main terminal box, IM 1002, sleeve bearings, with BLD, etc. on request.

Note: Sleeve bearings with oil circulation are default for 4 pole machines on frame size 710mm.

Note: Accurate dimension drawing will be given on customized solution at the quotation phase.

Table gives main dimensions in mm.

Total product offering

ABB offers a wide range of motors, generators and mechanical power transmission products with a complete portfolio of services.



IEC motors

- Low voltage motors
- High voltage induction motors
- Synchronous motors
- Marine motors
- Motors for explosive atmospheres
- Motors for food and beverage
- Motors for variable speed drives
- Permanent magnet motors
- Synchronous reluctance motors
- Traction motors

NEMA motors

- Low voltage motors
- High voltage induction motors
- Synchronous motors
- Marine motors
- Motors for explosive atmospheres
- Motors for variable speed drives
- Permanent magnet motors
- Servomotors
- Washdown motors

Generators

- Generators for wind turbines
- Generators for diesel and gas engine power plants
- Generators for steam and gas turbine power plants
- Generators for marine applications
- Generators for industrial applications
- Generators for traction applications

Synchronous condensers

Mechanical power transmission components, bearings, gearings

- Mounted bearings
- Enclosed gearing
- Couplings
- Conveyor components
- Geared motor units

Life cycle services and support

Life cycle services and support

From pre-purchase to migration and upgrades

ABB offers a complete portfolio of services to ensure trouble-free operation and long product lifetimes. These services cover the entire life cycle. Local support is provided through a global network of ABB service centers and certified partners.



Pre-purchase



ABB's front-end sales organization can help customers to quickly and efficiently select, configure and optimize the right motor for their application.

Installation and commissioning



Professional installation and commissioning by ABB's certified engineers represent an investment in availability and reliability over the entire life cycle.

Engineering and consulting



ABB's experts provide energy efficiency and reliability appraisals, advanced condition and performance assessments and technical studies.

Condition Monitoring and Diagnosis



Unique services provide early warnings before failures occur. Data can be collected by an engineer on-site or by remote monitoring. With the ABB Ability™ platform data can be transmitted to the cloud and accessed and analyzed remotely, allowing even greater insight into the health of the equipment. The services focus on the bearings, rotor winding, stator winding insulation and overall mechanical condition.

Maintenance and field services



ABB offers life cycle management plans and preventive maintenance products. The recommended four-level maintenance program covers the entire product lifetime.

Spare parts



Spare parts and support are offered throughout the life cycle of ABB products. In addition to individual spares, tailored spare part packages are also available.

Repair and refurbishment



Support for all ABB generators and other brands is provided by ABB's global service organization. Specialist teams can also deliver emergency support.

Migration and upgrades



Life cycle audits determine the optimum upgrades and migration paths. Upgrades range from individual components to direct replacement motors.

Training



Product and service training courses take a practical approach. The training ranges from standard courses to specially tailored programs to suit customer requirements.

Specialized support



Specialized support is offered through ABB's global service organization. Local units provide major and minor repairs as well as overhauls and reconditioning.

Service contracts



Service contracts are tailored to the customer's needs. The contracts combine ABB's entire service portfolio and 120 years of experience to deploy the optimal service practices.



—
For more information, please contact
your local ABB representative or visit

new.abb.com/motors-generators